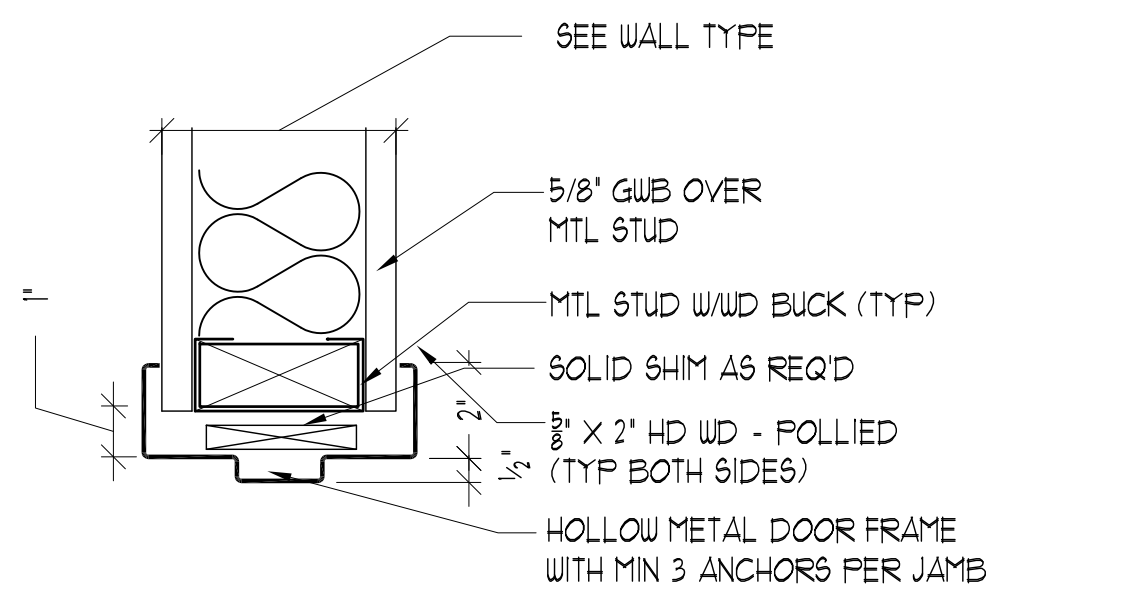
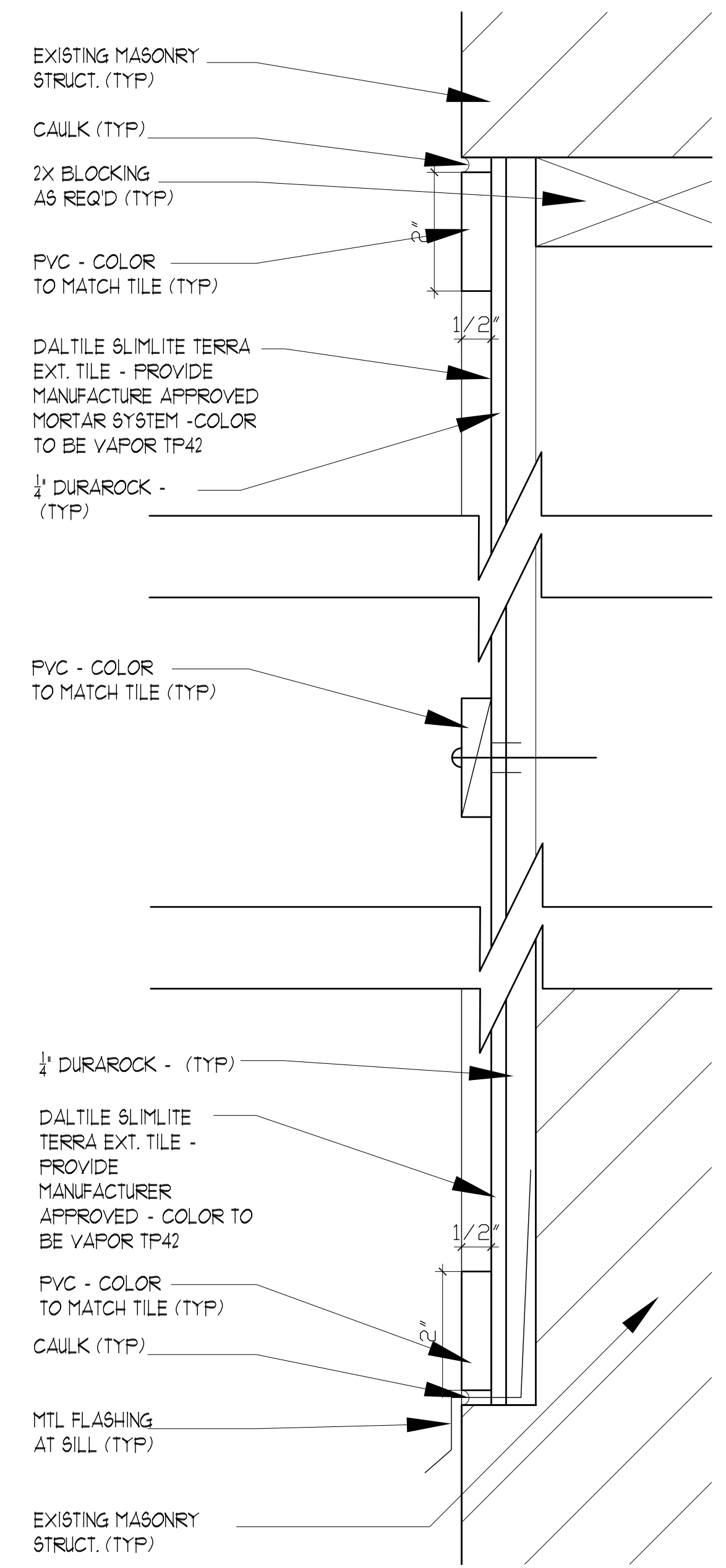


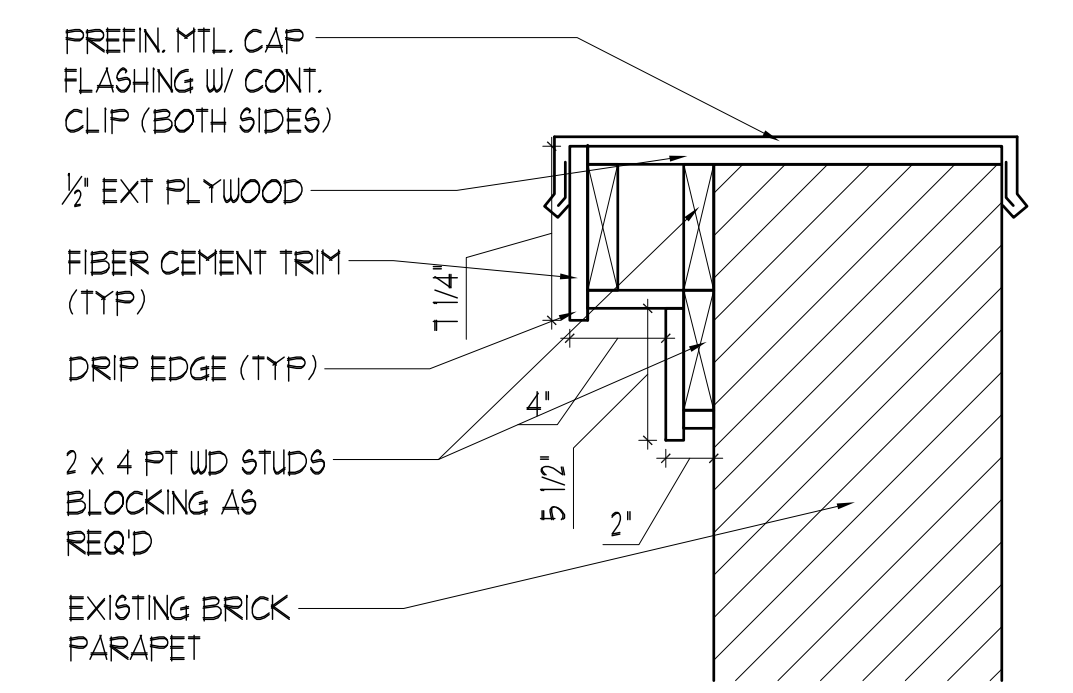
7 DOOR JAMB DETAIL  
SCALE: 3' = 1'-0"



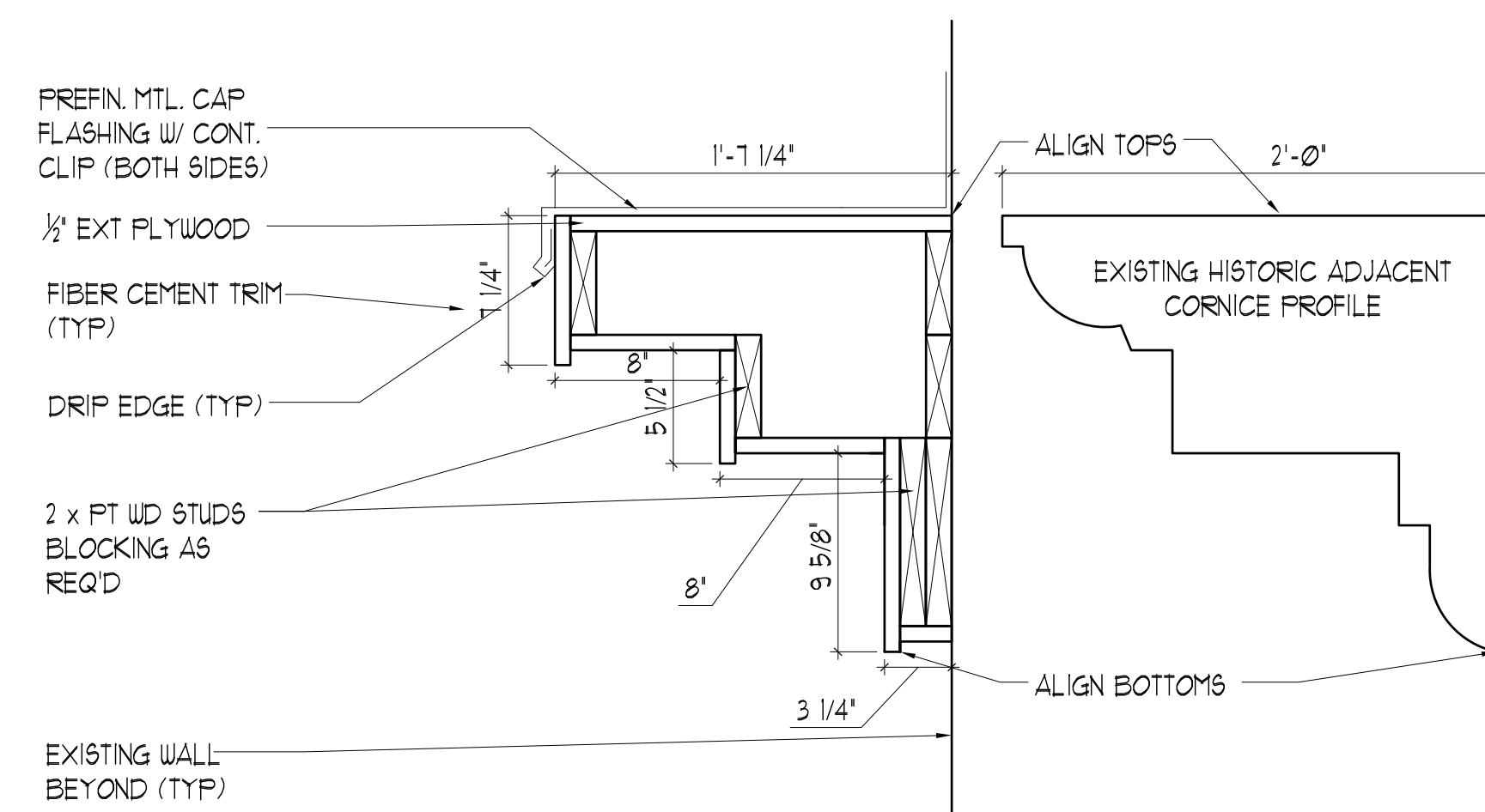
6 DOOR HEAD DETAIL  
SCALE: 3' = 1'-0"



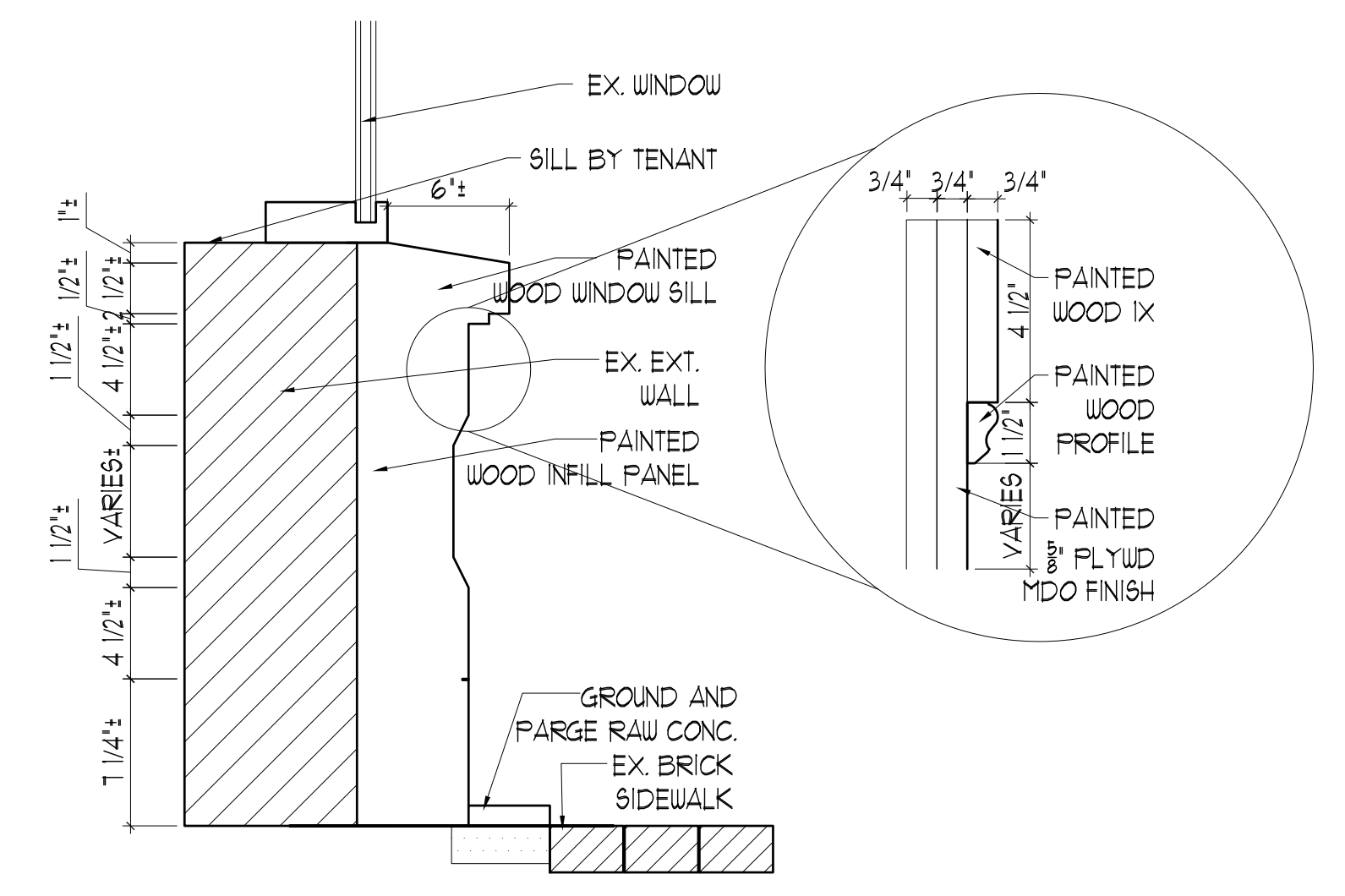
4 SLIMLITE PANEL DETAIL  
SCALE: 6' = 1'-0"



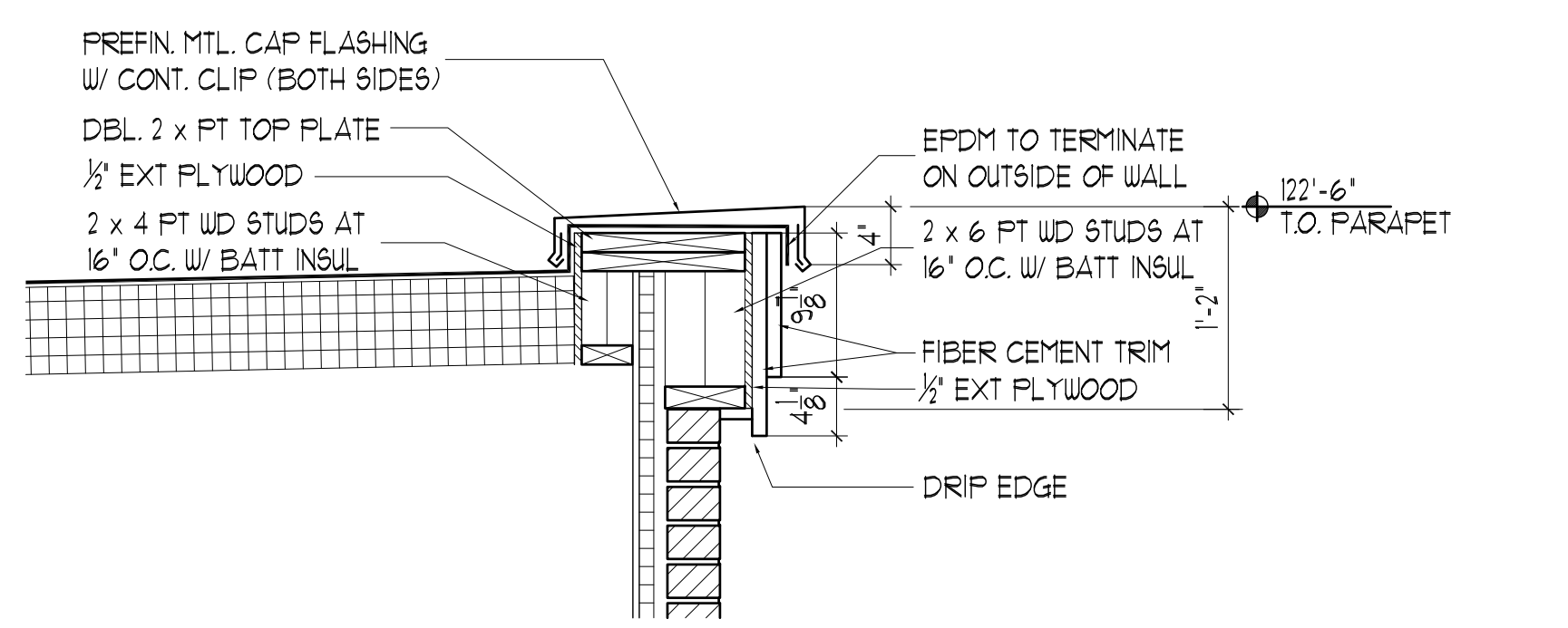
5 CORNICE DETAIL  
SCALE: 1-1/2' = 1'-0"



3 CORNICE DETAIL  
SCALE: 1-1/2' = 1'-0"



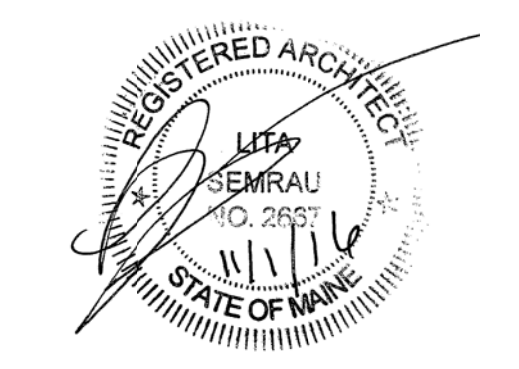
2 SILL/PANEL DETAIL  
SCALE: 1-1/2' = 1'-0"



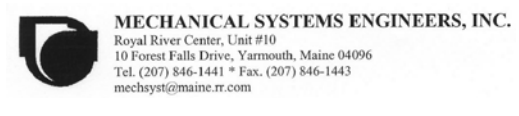
1 PARAPET DETAIL  
SCALE: 1' = 1'-0"



65 NEWBURY STREET  
PORTLAND, ME 04101  
207.761.9000



Consultants:



PERMIT SET  
11-16

NOT FOR  
CONSTRUCTION

NEWPORT  
DEVELOPMENT  
ASSOCIATES

164 Middle St  
Portland, Maine

#	DATE	DESCRIPTION

Date Issued November 1, 2016  
Project Number 16201  
Drawing Scale AS NOTED

**DETAILS**

Drawn By JFP CM TS CR  
Checked By LAG  
**A5.2**