

City of Portland, Maine - Building or Use Permit Application

389 Congress Street, 04101 Tel: (207) 874-8703, Fax: (207) 874-8716

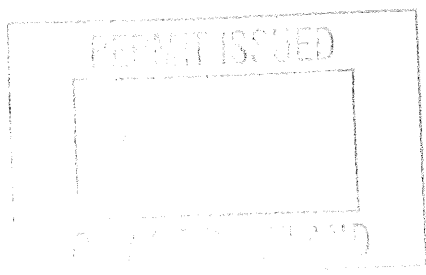
Permit No: 08-1512	Issue Date: 12/15/08	CBL: 029 0001501
-----------------------	-------------------------	---------------------

Location of Construction: 99 SILVER ST #501	Owner Name: KATZ JAMES & CHARLOTTE K	Owner Address: 99 SILVER ST # 5-1	Phone:
Business Name:	Contractor Name: Jim Godbout Plbg & Htg	Contractor Address: 183 Granite Street Biddeford	Phone: 2072831200
Lessee/Buyer's Name	Phone:	Permit Type: HVAC	Zone: B-3

Past Use: 37 Residential Condos	Proposed Use: 37 Residential Condos - install a Viessman Vitoddens 2008-32 Boiler replacing old heatmaker boiler	Permit Fee: \$120.00	Cost of Work: \$10,000.00	CEO District: 1
		FIRE DEPT: <input checked="" type="checkbox"/> Approved <input type="checkbox"/> Denied	INSPECTION: Use Group: R-2 Type: SB IBC-2003 IMC-2003	

Proposed Project Description: install a Viessman Vitoddens 2008-32 Boiler replacing old heatmaker boiler	Signature: <i>[Signature]</i>	Signature: 12/15/08 csh.
PEDESTRIAN ACTIVITIES DISTRICT (P.A.D.)		
Action: <input type="checkbox"/> Approved <input type="checkbox"/> Approved w/Conditions <input type="checkbox"/> Denied		
Signature: _____ Date: _____		

Permit Taken By: Idobson	Date Applied For: 12/03/2008	Zoning Approval
-----------------------------	---------------------------------	------------------------

<ol style="list-style-type: none"> This permit application does not preclude the Applicant(s) from meeting applicable State and Federal Rules. Building permits do not include plumbing, septic or electrical work. Building permits are void if work is not started within six (6) months of the date of issuance. False information may invalidate a building permit and stop all work.. 	Special Zone or Reviews <input type="checkbox"/> Shoreland <input type="checkbox"/> Wetland <input type="checkbox"/> Flood Zone <input type="checkbox"/> Subdivision <input type="checkbox"/> Site Plan <input type="checkbox"/> Major <input type="checkbox"/> Minor <input type="checkbox"/> MM <input type="checkbox"/> Denied Date: 9/12/3/08	Zoning Appeal <input type="checkbox"/> Variance <input type="checkbox"/> Miscellaneous <input type="checkbox"/> Conditional Use <input type="checkbox"/> Interpretation <input type="checkbox"/> Approved <input type="checkbox"/> Denied	Historic Preservation <input type="checkbox"/> Not in District or Landmark <input type="checkbox"/> Does Not Require Review <input type="checkbox"/> Requires Review <input type="checkbox"/> Approved <input type="checkbox"/> Approved w/Conditions <input type="checkbox"/> Denied Any exterior work requires A Separate Review & Approval
			

CERTIFICATION

I hereby certify that I am the owner of record of the named property, or that the proposed work is authorized by the owner of record and that I have been authorized by the owner to make this application as his authorized agent and I agree to conform to all applicable laws of this jurisdiction. In addition, if a permit for work described in the application is issued, I certify that the code official's authorized representative shall have the authority to enter all areas covered by such permit at any reasonable hour to enforce the provision of the code(s) applicable to such permit.

SIGNATURE OF APPLICANT	ADDRESS	DATE	PHONE
RESPONSIBLE PERSON IN CHARGE OF WORK, TITLE		DATE	PHONE

6/18/09 Inspected install
relief valve extension piped to exterior - needs
to extend 6"-12" off Roof. JMB



CITY OF PORTLAND, MAINE
 Department of Building Inspections

Original Receipt

Received from Jim Gaudin _____ 2008

Location of Work 99 Silver St _____

Cost of Construction \$ _____ Building Fee: _____

Permit Fee \$ 100 Site Fee: _____

Certificate of Occupancy Fee: _____

Total: _____

Building (IL) _____ Plumbing (15) _____ Electrical (I2) _____ Site Plan (U2) _____

Other _____

CBL: 290 DSI

Check #: 15075

Total Collected \$ 100

No work is to be started until permit issued.
 If permit is Withdrawn or Denied, amount of the Refund is based
 \$20.00 or 20% of the fee, (whichever is greater)
 In order to receive a refund, you **MUST** present the Original Receipt

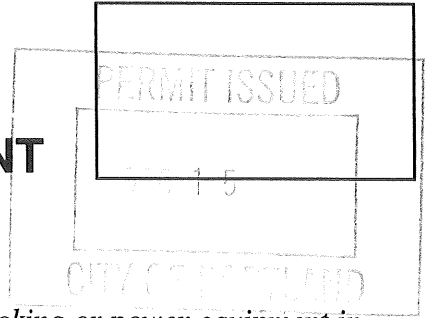
Taken by: _____

WHITE - Applicant's Copy
 YELLOW - Office Copy
 PINK - Permit Copy



FILL IN AND SIGN WITH INK

APPLICATION FOR PERMIT HEATING OR POWER EQUIPMENT



To the INSPECTOR OF BUILDINGS, PORTLAND, ME.

The undersigned hereby applies for a permit to install the following heating, cooking or power equipment in accordance with the Laws of Maine, the Building Code of the City of Portland, and the following specifications:

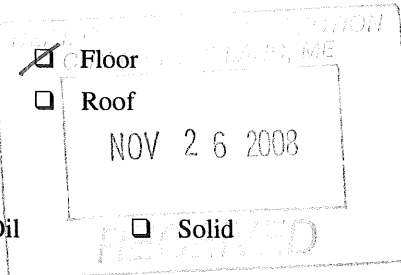
Location / CBL 99 silver st. 5th floor Use of Building Res. Date 11-24-08
 Name and address of owner of appliance Dr. & Mrs Katz 99 Silver St. Portland
 Installer's name and address Jim Godbout P&H Inc. P.O. Box 365 Bldg. Me 04105
 Telephone 283-1200

Location of appliance:
 Basement
 Floor
 Attic
 Roof
 Solid

Type of Fuel:
 Gas
 Oil
 Solid

Appliance Name: Viessman Vitodens 200
 U.L. Approved Yes No
 Will appliance be installed in accordance with the manufacture's installation instructions? Yes No

IF NO Explain: _____



Type of Chimney:
 Masonry Lined
 Factory built _____
 Metal
 Factory Built U.L. Listing # _____
 Direct Vent
 Type Viessmann UL# _____

Type of Fuel Tank
 Oil
 Gas

Size of Tank N/A Natural Gas

Number of Tanks N/A

Distance from Tank to Center of Flame N/A feet.

Cost of Work: \$ 10,000

Permit Fee: \$ 120.00

The Type of License of Installer:
 Master Plumber # 05993
 Solid Fuel # _____
 Oil # 9547
 Gas # PVT 1340
 Other _____

Approved

Approved with Conditions

Fire: _____
 Ele.: _____
 Bldg.: _____

See attached letter or requirement
 Inspector's Signature [Signature] Date Approved 12/15/08

Signature of Installer [Signature]

City of Portland, Maine - Building or Use Permit

389 Congress Street, 04101 Tel: (207) 874-8703, Fax: (207) 874-8716

Permit No: 08-1512	Date Applied For: 12/03/2008	CBL: 029 O001501
-----------------------	---------------------------------	---------------------

Location of Construction: 99 SILVER ST #501	Owner Name: KATZ JAMES & CHARLOTTE K	Owner Address: 99 SILVER ST # 5-1	Phone:
Business Name:	Contractor Name: Jim Godbout Plbg & Htg	Contractor Address: 183 Granite Street Biddeford	Phone (207) 283-1200
Lessee/Buyer's Name	Phone:	Permit Type: HVAC	

Proposed Use: 37 Residential Condos - install a Viessman Vitoddens 2008-32 Boiler replacing old heatmaker boiler	Proposed Project Description: install a Viessman Vitoddens 2008-32 Boiler replacing old heatmaker boiler
--	--

Dept: Zoning **Status:** Approved with Conditions **Reviewer:** Marge Schmuckal **Approval Date:** 12/03/2008**Note:** **Ok to Issue:**

- 1) ANY exterior work requires a separate review and approval thru Historic Preservation. This property is located within an Historic District.
- 2) This is NOT an approval for an additional dwelling unit. You SHALL NOT add any additional kitchen equipment including, but not limited to items such as stoves, microwaves, refrigerators, or kitchen sinks, etc. Without special approvals.
- 3) This property shall remain as thirty-seven (37) residential condominiums. Any change of use shall require a separate permit application for review and approval.
- 4) This permit is being approved on the basis of plans submitted. Any deviations shall require a separate approval before starting that work.

Dept: Building **Status:** Approved with Conditions **Reviewer:** Chris Hanson **Approval Date:** 12/15/2008**Note:** **Ok to Issue:**

- 1) CPVC vent material must be ULC/UL listed for category IV boilers.
- 2) The appliance shall be installed in accordance with the IMC 2003 and NFPA 211
- 3) The installation must comply with the State of Maine Gas Regulations.
- 4) Separate permits are required for any electrical, plumbing, HVAC or exhaust systems. Separate plans may need to be submitted for approval as a part of this process.
- 5) ANY exterior work requires separate review and approval thru Historic Preservation

Dept: Fire **Status:** Approved with Conditions **Reviewer:** Capt Greg Cass **Approval Date:** 12/05/2008**Note:** **Ok to Issue:**

- 1) Install shall comply with all manufacture's specifications.

BUILDING PERMIT INSPECTION PROCEDURES

Please call 874-8703 or 874-8693 (ONLY)

to schedule your inspections as agreed upon

Permits expire in 6 months, if the project is not started or ceases for 6 months.

The Owner or their designee is required to notify the inspections office for the following inspections and provide adequate notice. Notice must be called in 48-72 hours in advance in order to schedule an inspection:

By initializing at each inspection time, you are agreeing that you understand the inspection procedure and additional fees from a "Stop Work Order" and "Stop Work Order Release" will be incurred if the procedure is not followed as stated below.

A Pre-construction Meeting will take place upon receipt of your building permit.

 X **Final inspection required at completion of work.**

Certificate of Occupancy is not required for certain projects. Your inspector can advise you if your project requires a Certificate of Occupancy. All projects DO require a final inspection.

If any of the inspections do not occur, the project cannot go on to the next phase, REGARDLESS OF THE NOTICE OR CIRCUMSTANCES.

CERIFICATE OF OCCUPANICES MUST BE ISSUED AND PAID FOR, BEFORE THE SPACE MAY BE OCCUPIED.

Signature of Applicant/Designee

Date

Signature of Inspections Official

Date

Mailed

JIM GODBOUT PLUMBING & HEATING
PO BOX 365
48 ELM ST
BIDDEFORD, ME 04005

FAX COVER SHEET

Date: 12/3/08

Pages(including cover sheet): 10

To: _____

From: Penny

Phone: _____

Phone: (207) 283-1200

Fax: 874-8716

Fax: (207) 283-2739

PLEASE let me know if you don't get
everything you needed.

Thanks Penny

Information For Heating Application
For KATZ

General Information

Product Information

Gas-fired hot water heating boiler for space heating and domestic hot water production with a stand-alone DHW tank (accessory); models WB2 6-24 and WB2 8-32.

Gas-fired Combi boiler for space heating and domestic hot water production with integrated instantaneous plate heat exchanger; model WB2 6-24C.

For operation with modulating boiler water temperatures in closed loop, forced circulation hot water heating circuits.

The Vitodens 200 comes factory set for operation with natural gas, with the option of conversion to liquid propane using a field conversion kit. (When planning on fuel converting the Vitodens 200 boiler, contact Viessmann to order the required conversion kit.)

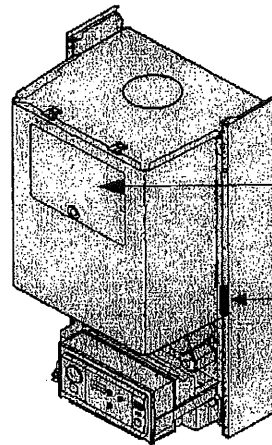
Boiler model must be selected based on an accurate heat loss calculation of the building. Ensure boiler model is compatible with connected radiation.

Applicability

CAUTION
Boiler serial number must be provided when ordering replacement parts. Some replacement parts are not reverse compatible with previous versions of the Vitodens 200 boiler.

Vitodens 200, WB2 6-24C, 6-24, 8-32

Model No.	Serial No.
WB2 6-24C	7170317□□□□□□□□
WB2 6-24	7170318□□□□□□□□
and	
WB2 8-32	7170319□□□□□□□□



ASME/NB stamp serial number location (12-digit metallic plate riveted on the heat exchanger)*

Serial No. location (16 digit barcode label)

* Heat exchanger is located behind the cover panel.

General Information/Set-up

Mechanical Room

During the early stages of new home design, we recommend that proper consideration be given to constructing a separate mechanical room dedicated to gas- or oil-fired equipment including domestic hot water storage tanks.

The boiler must be located in a heated indoor space, near a floor drain, and as close as possible to the wall.

Whenever possible, install boiler near an outside wall so that it is easy to duct the venting system to the boiler.

Locate boiler on walls capable of supporting the weight of the boiler filled with water (see section entitled "Technical Data" on page 56 for information required for total boiler weight calculation). Ensure that boiler location does not interfere with proper circulation of combustion and ventilation air of other fuel burning equipment (if applicable) within the mechanical room.

The maximum room temperature of the mechanical room where the boiler is located must not exceed 104°F/40°C.

Before Set-up

Before placing boiler in its installation location, ensure all necessary accessories are installed.

CAUTION

The boiler must be installed in such a way that gas ignition system components are protected from water (spraying, splashing, etc.) during boiler operation and service.

Minimum Clearances

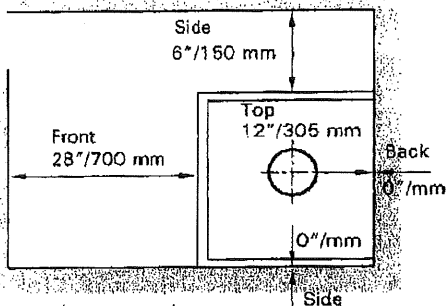


Diagram is not to scale.

Recommended minimum service clearances

For typical Vitodens installations, Viessmann recommends installing the boiler with the clearances shown in the illustration on the left.

Recommended clearances to combustibles

The Vitodens 200 boiler is approved for closet and alcove installation with the following clearances to combustibles.

Top	Front	Rear	Left	Right	Vent pipe ¹
0	0 AL, CL	0	0	0	0

AL = Alcove

CL = Closet

¹Refer to the Installation Instructions of the Vitodens 200 Venting System for details.

5285 582 v1.6

Vitodens 200

Technical Data

Boiler Model	Model No.	Combi Series			Standard heating boiler	
		WB2 6-24C	WB2 6-24	WB2 8-32	WB2 11-44	WB2 15-60
Natural gas						
CSA Input	MBH	25-91	25-91	37-124	55-172	80-230
	kW	7-27	7-27	11-36	16-50	23-67
CSA output/DOE ^{*1}	MBH	22-81	22-81	33-112	49-154	71-206
heating capacity	kW	6-24	6-24	10-32	14-44	21-60
Net I = B = R rating ^{*2}	MBH	70	70	97	133	178
Propane gas						
CSA input	MBH	25-81	25-81	37-112	55-155	80-214
	kW	7-24	7-24	11-33	16-46	23-63
CSA output/DOE ^{*1}	MBH	22-73	22-73	33-101	49-139	71-192
heating capacity	kW	6-21	6-21	10-30	14-40	21-56
Net I = B = R rating ^{*2}	MBH	63	63	88	120	166
Heat exchanger surface area	ft. ²	8.22	8.22	9.91	20.91	20.91
	m ²	0.76	0.76	0.92	1.94	1.94
Min. gas supply pressure						
Natural gas	"w.c.	4	4	4	4	7
Propane gas	"w.c.	11	11	11	11	11
Max. gas supply pressure ^{*3}						
Natural gas	"w.c.	14	14	14	14	14
Propane gas	"w.c.	14	14	14	14	14
A.F.U.E.	%	95.2	95.2	95.2	95.2	95.2
Weight	lbs	159	143	165	214	214
	kg	72	65	75	97	97
Boiler water content	USG	1.1	1.1	1.2	4.3	4.3
	ltr	4.0	4.0	4.6	16.45	16.45
Integrated pump flow rate	GPM	4.6	4.6	4.6	--	--
at 6.6 ft./2 m head pressure ^{*4}	ltr/h	1050	1050	1050	--	--
Boiler max. flow rate ^{*5}	GPM	6.2	6.2	7.0	15.4	15.4
	ltr/h	1400	1400	1600	3600	3500
Max. operating pressure	psig	45	45	45	45	45
at 210 °F/99 °C	bar	3	3	3	3	3
Boiler water temperature						
- Adjustable high limit (AHL)						
range				68 to 167/		
space heating	°F/			20 to 75		
(steady state)	°C			108 to 172/		
DHW production	°F/			42 to 78		
	°C			210/99		
- Fixed high limit (FHL)	°F/°C					
Boiler connections						
Boiler heating supply and return	NPTM "	¾	¾	¾	1 ¼	1 ¼
Pressure relief valve	NPTF "	¾	¾	¾	¾	¾
Drain valve	(male thread)	¾	¾	¾	¾	¾
Boiler supply/return for indirect-fired DHW storage tank	NPTM "	--	¾	¾	1 ¼	1 ¼

^{*1}Output based on 140°F / 60°C, 120 °F / 49°C system supply/return temperature.

^{*2}Net I = B = R rating based on piping and pick-up allowance of 1.15.

^{*3}If the gas supply pressure exceeds the maximum gas supply pressure value, a separate gas pressure regulator must be installed upstream of the heating system.

^{*4}With pump rotational speed set to 100% flow capacity (2700 rpm), see Coding Address 045 in the Vitodens 200 Start-up/Service Instructions.

Pump factory default setting is 65% flow capacity (2000 rpm).

^{*5}See "Typical System Flow Rates" on page 8 in this manual.

Vitodens 200

Boiler Model	Model No.	Combi Series			Standard heating boiler	
		WB2 6-24C	WB2 6-24	WB2 8-32	WB2 11-44	WB2 15-60
Dimensions						
Overall depth	inches	16	16	16	21 1/2	21 1/2
	mm	406	406	406	550	550
Overall width	inches	19 3/4	19 3/4	19 3/4	23 1/2	23 1/2
	mm	500	500	500	600	600
Overall height	inches	35 1/2	35 1/2	35 1/2	35 1/2	35 1/2
	mm	900	900	900	900	900
Height with flue gas elbow (accessory)	inches	44	44	44	47 1/2	47 1/2
	mm	1116	1116	1116	1200	1200
Gas supply connection	NPTF "	1/2	1/2	1/2	3/4	3/4
Standby instantaneous DHW plate heat exchanger of Combi boiler^{*6}						
Water content DHW side	USG/ltr	0.26/1.00	---	---	---	---
heating water side	USG/ltr	0.18/0.70	---	---	---	---
Connections DHW and DCW	NPTF "	1/2	---	---	---	---
Max. operating pressure (DHW side) ^{*7}	psig/bar	150/10	---	---	---	---
DHW supply temp. range	°F/°C	100-135/38-57	---	---	---	---
Continuous draw rate	GPH	156	---	---	---	---
with a temperature increase	ltr/h	590	---	---	---	---
Draw rate range	GPM	0.8-2.1	---	---	---	---
	ltr/min	3-8	---	---	---	---
Flue gas^{*8}						
Temperature (at boiler return temperature of 86 °F/30 °C)	°F/°C	113/45	113/45	113/45	95/35	104/40
- at rated full load	°F/°C	95/35	95/35	95/35	91/33	95/35
- at rated partial load	°F/°C	158/70	158/70	158/70	149/65	158/70
Temperature (at boiler return temperature of 140 °F/60 °C)	°F/°C	158/70	158/70	158/70	149/65	158/70
Average condensate flow rate^{*9}						
with natural gas and						
- T _s /T _R = 167/140°F/75/60 °C	USG/day	2-2.6	2-2.6	2.6-3	2.9-4	4.8-5.8
	ltr/day	8-10	8-10	10-12	11-15	18-22
- T _s /T _R = 104/86°F/40/30 °C	USG/day	2.9-3.4	2.9-3.4	4-4.5	3.7-5	6-7.4
	ltr/day	11-13	11-13	15-17	14-19	23-28
Condensate connection^{*10}	hose nozzle					
	Ø in	1	1	1	1	1
Boiler flue gas connection^{*11}	Ø in/mm	3 1/4/80	3 1/4/80	3 1/4/80	4 1/4/110	4 1/4/110
Combustion air supply connection^{*11}	outer Ø in/mm	5/125	5/125	5/125	6/150	6/150

*6 Minimum pressure for domestic cold water connection 1 bar/15 psig.

*7 See DHW sizing chart on page 11 in this manual.

*8 Measured flue gas temperature with a combustion air temperature of 68 °F/20 °C.

*9 Based on typical boiler cycles, including partial load conditions.

*10 Requires 1 1/2" / 25 mm tubing. See Vitodens 200 Installation Instructions for details.

*11 For side wall vent installations:

Do not exceed max. equivalent length of 20 ft./6 m as stated in the Installation Instructions of the Vitodens 200 Venting System.
A maximum of five elbows may be installed in the vent system.

Do not attempt to common-vent Vitodens 200 with any other appliance.

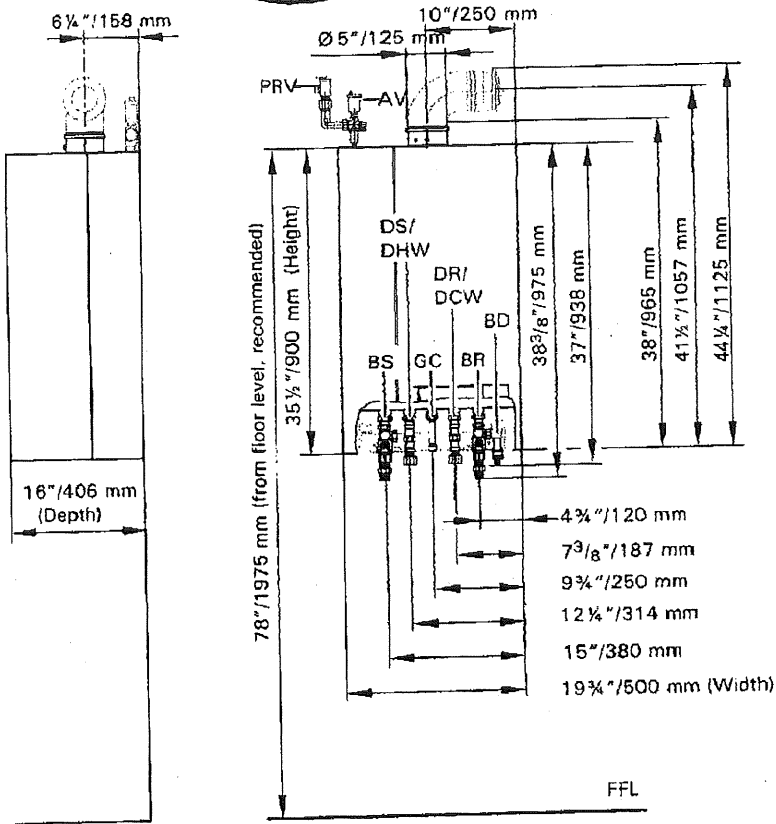
Venting material to be supplied by Viessmann only; side wall vent installation must include Viessmann protective screen

For details refer to the venting section starting on page 17 or the Installation Instructions for the Vitodens 200 Venting System.

► For information regarding other Viessmann System Technology componentry, please reference documentation of respective product.

Vitodens 200

Vitodens 200 up to model WB2 8-32



Legend

- AV Air Vent
- BD Boiler Drain
- BR Boiler Return
- BS Boiler Supply
- FFL Finished Floor Level
- GC Gas Connection
- PRV Pressure Relief Valve

Only for Combi heating boiler

- DCW Domestic Cold Water 1/2"
- DHW Domestic Hot Water 1/2"

Only for standard heating boiler

- DR Boiler heating return for domestic hot water production 3/4"
- DS Boiler heating supply for domestic hot water production 3/4"

Wall Mounting

Wall Mounting Information (up to model WB2 8-32)

Required accessories for installation without DHW storage tank

Mounting bracket
c/w mounting bolts and fittings

Additional requirements when connecting a DHW storage tank

DHW Production Kit for DHW storage tank connection

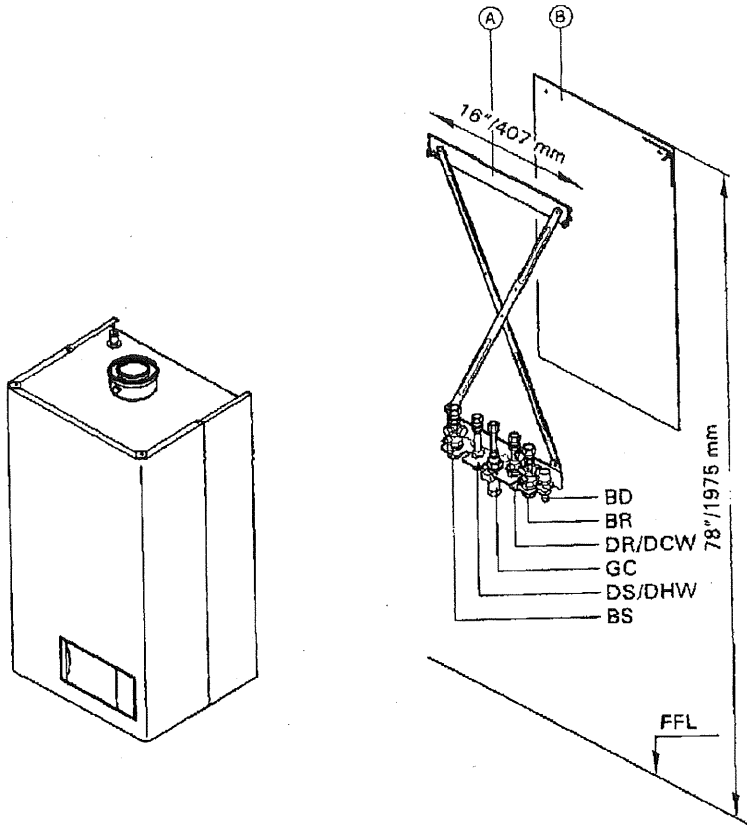


Illustration: Wall-mounting and connection of the Vitodens 200 Combi boiler (model WB2 6-24C)

Legend

- BD Boiler Drain 3/4"
- BR Boiler Return 3/4"
- BS Boiler Supply 3/4"
- FFL Finished Floor Level
- GC Gas Connection 1/2"
(gas shutoff valve is field supplied)

- Only for Combi heating boiler
- DCW Domestic Cold Water 1/2"
- DHW Domestic Hot Water 1/2"

- Only for standard heating boiler
- DR Boiler heating return for domestic hot water production 3/4"
- DS Boiler heating supply for domestic hot water production 3/4"

- (A) Mounting bracket
- (B) Vitodens 200 installation location

Venting Option / Electrical Connection

Vitodens 200 Venting Options

For an overview of venting options refer to the appendix starting on page 38 For detailed information refer to the Vitodens Venting System Installation Instructions (PN 5285 268).

Electrical Connection

Power Supply

The Vitodens 200 is shipped with a Power Module (up to model WB2 8-32) or with a Power/Pump Module (model WB2 11-44 and up). Both modules require a 120 VAC power supply from a wall receptacle. The modules contain a 120/230 VAC step-up transformer to power the Vitodens 200 with 230 VAC. Refer to the Installation Instructions shipped with the modules for wiring details.

Power Supply Connection of Accessories

The power supply connection of accessories can be made directly at the boiler control. The connection is activated and deactivated with the system on/off switch. The Dekamatik-HK1 control, the mixing valve accessory kit and the Solartrol control require a separate 120 VAC power supply from the wall receptacle.

2-wire cabling required for:

- outdoor temperature sensor
- Vitotronic 050/Dekamatik-HK1
- accessory kit for heating circuit with mixing valve
- remote switching of operating mode
- remote disable
- alarm output
- wall-mount base (when the programming unit is used as a remote control)

3-wire cabling required for:

- remote control RS/WS
- circulating pump

Appendix

Vitodens 200 Venting Alternatives

Horizontally Vented							
WB2 6-24 (C)	EqL	20 / 6	26 / 8	52 / 16	63 / 19.2	52 / 16	63 / 19.2
WB2 8-32	EqL	20 / 6	26 / 8	40 / 12	50 / 15.2	40 / 12	50 / 15.2
WB2 11-44	EqL	-	20 / 6	-	52 / 16	-	52 / 16
WB2 15-60	EqL	-	20 / 6	-	40 / 12	-	40 / 12
	See Page(s)	34		36		38	
Vertically Vented							
WB2 6-24 (C)	EqL	33 / 10	39 / 12	66 / 20	79 / 24	66 / 20	79 / 24
WB2 8-32	EqL	27 / 8	33 / 10	49 / 15	62 / 19	49 / 15	62 / 19
WB2 11-44	EqL	-	33 / 10	-	66 / 20	-	66 / 20
WB2 15-60	EqL	-	20 / 6	-	49 / 15	-	49 / 15
	See Page(s)	35		37		39	
Horizontal Intake / Vertically Vented							
WB2 6-24 (C)	EqL	-	-	59 / 18	71 / 21.6	59 / 18	71 / 21.6
WB2 8-32	EqL	-	-	44 / 13.5	57 / 17.1	44 / 13.5	57 / 17.1
WB2 11-44	EqL	-	-	-	59 / 18	-	59 / 18
WB2 15-60	EqL	-	-	-	44 / 13.5	-	44 / 13.5
	See Page(s)			40		40	

Select vent material based on vent configuration, preferred material, and necessary maximum equivalent length.

Always follow Viessmann venting installation instructions.

- Do not connect vent Vitodens 200-W with any other appliance.
- Layouts on the following pages are for illustrative purposes only.

¹ Sealed combustion, coaxial vent material to be supplied by Viessmann only.

² Stainless steel vent material must be ULC/UL listed, stainless steel AL29-4C® for Category IV boilers.

Suggested sources: Flexmaster Canada Ltd. / Z-Flex (US) Inc., Heat-fab Division Selkirk Corp., ProTech Systems Inc., or Security Chimneys Int'l.

³ CPVC vent material must be ULC/UL listed, for Category IV boilers. Suggested source: IPEX Inc.

▶ Do not include first 87° elbow in equivalent vent length calculations (this applies to all vent materials).

Appendix (continued)

Coaxial PPs Vent System

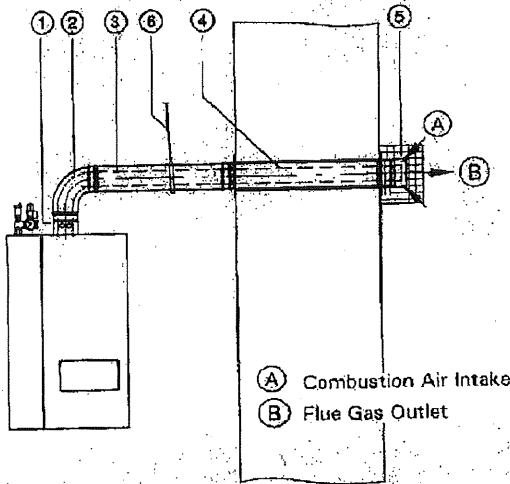
Horizontally Vented

Maximum Equivalent Length (EqL)	WB2	6-24(C) 20 / 6	6-24(C) 26 / 8	11-44 20 / 6
Maximum Equivalent Length (EqL)	WB2	8-32 20 / 6	8-32 26 / 8	15-60 20 / 6

Room Air Independent Operation

Basic Horizontal Vent Kit
Venting pieces can be ordered individually or as a convenient kit using the Order No. to the right. Basic Vent Kit includes one of each of the items numbered 1 to 5, and two Mounting Clips 6.

	7134 408	7134 278
--	----------	----------



1 Boiler Vent Adaptor (included with WB2 44/60)	7134 409	-
Adaptor, coaxial 80/125 > 100/150 (not shown)	-	7142 680
2 87° Elbow EqL = 1.6ft / 0.5m	7176 639	7176 674
3 Straight Pipe ² 3.3ft / 1m	7176 637	7176 672
4 Vent Termination 2.6ft / 0.8m	7246 527	7245 526
5 Protective Screen ¹		7134 790
6 Mounting Clip ² (each)	7176 664	7176 682
87° Inspection Tee EqL = 1.6ft / 0.5m	7176 642	7176 677
Sliding Coupling 0.8ft / 0.25m	7176 663	7176 678
Straight Pipe ² 1.6ft / 0.5m	7176 636	7176 671
45° Elbow (Set of 2) EqL = 1.0ft / 0.3m	7176 640	7176 675

Other Available Vent Pieces
not shown in illustration above

5167 472 v3.4

¹ Sealed combustion, coaxial vent material to be supplied by Viessmann only.
Side wall venting installation must include Viessmann Protective Screen!
² Order one Mounting Clip for each straight length of vent pipe installed.
▶ Do not include first 87° elbow in equivalent vent length calculations (this applies to all vent materials).
▶ A maximum of 5 elbows may be installed in the vent system; do not exceed maximum equivalent vent length.
▶ Always follow Viessmann venting installation instructions.