

MATERIAL

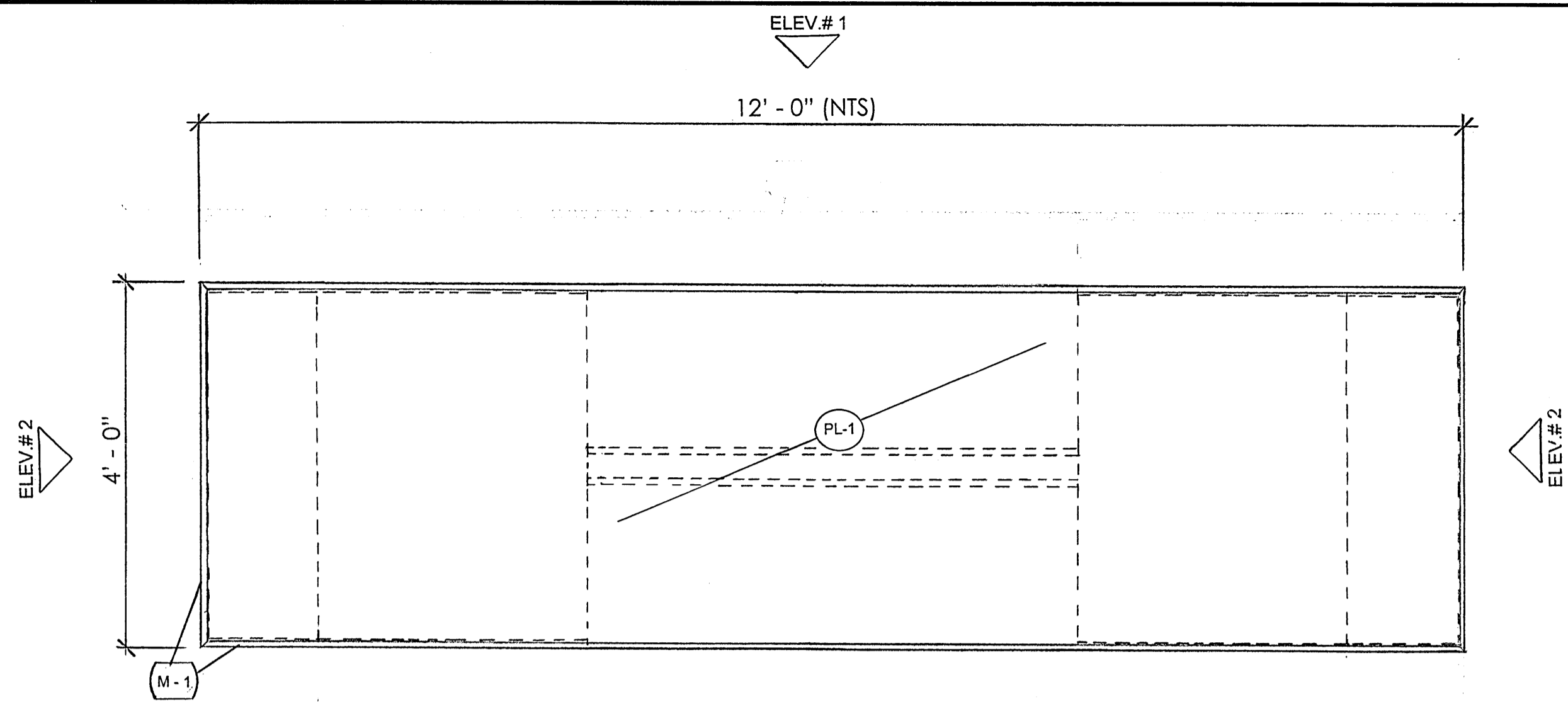
M-1	SOLID MAPLE W/ CLEAR SATIN FINISH.
M-2	MAPLE VENEER W/ CLEAR SATIN FINISH.
M-3	CORK BOARD, (@ RECEPTION DESK).
M-4	3/16" AQUATEX GLASS.
M-5	1 1/2" MAPLE VENEER DOOR LEAFS.
M-6	1/4" CLEAR GLASS (@ TRANSOMS).

HARDWARE

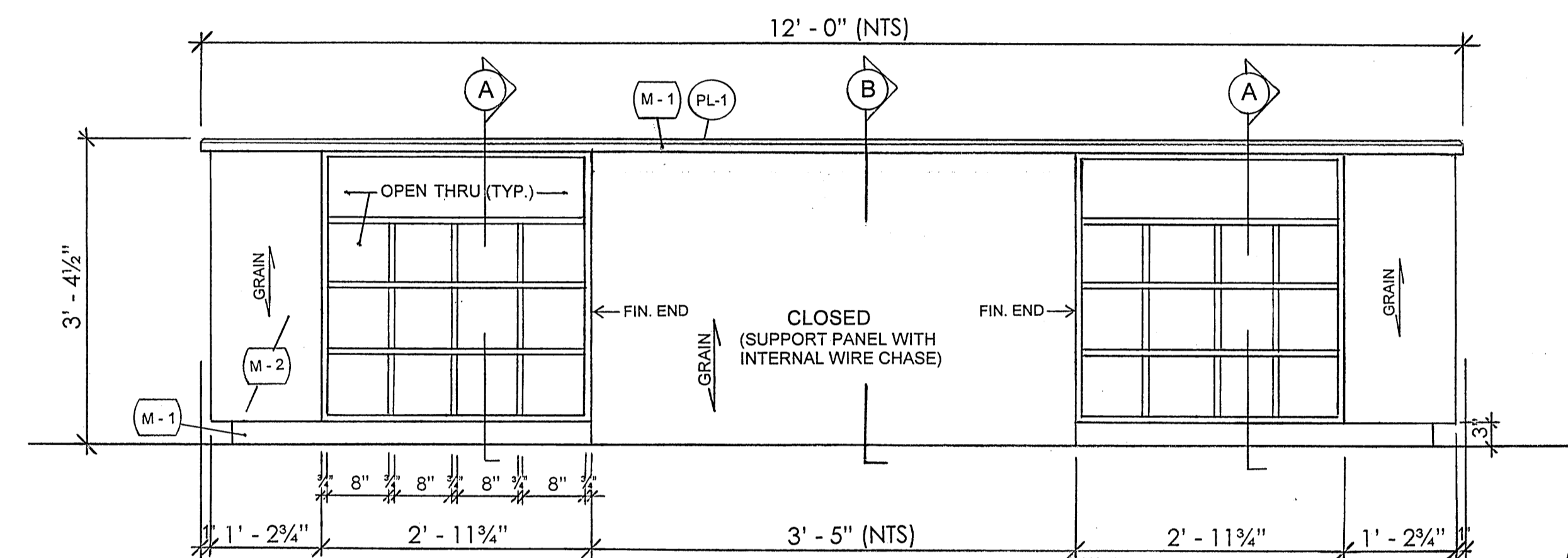
#	DISCRIPTION	TYPE	FINISH	QTY.
H-1	WIRE PULLS	96mm WIRE	US26D	(20)
H-2	UNDERCOUNTER STEEL SUPPORT BRACKET		WHITE	(3)
H-3	SIDE-MOUNT SLIDING DOOR SYSTEM PEMKO #280 KITS LISTED BELOW:			
	280SWTKIT/6 (6 FT. TRACK & FASCIA)			(2)
	280SWTKIT/8 (8 FT. TRACK & FASCIA)			(1)

LAMINATES

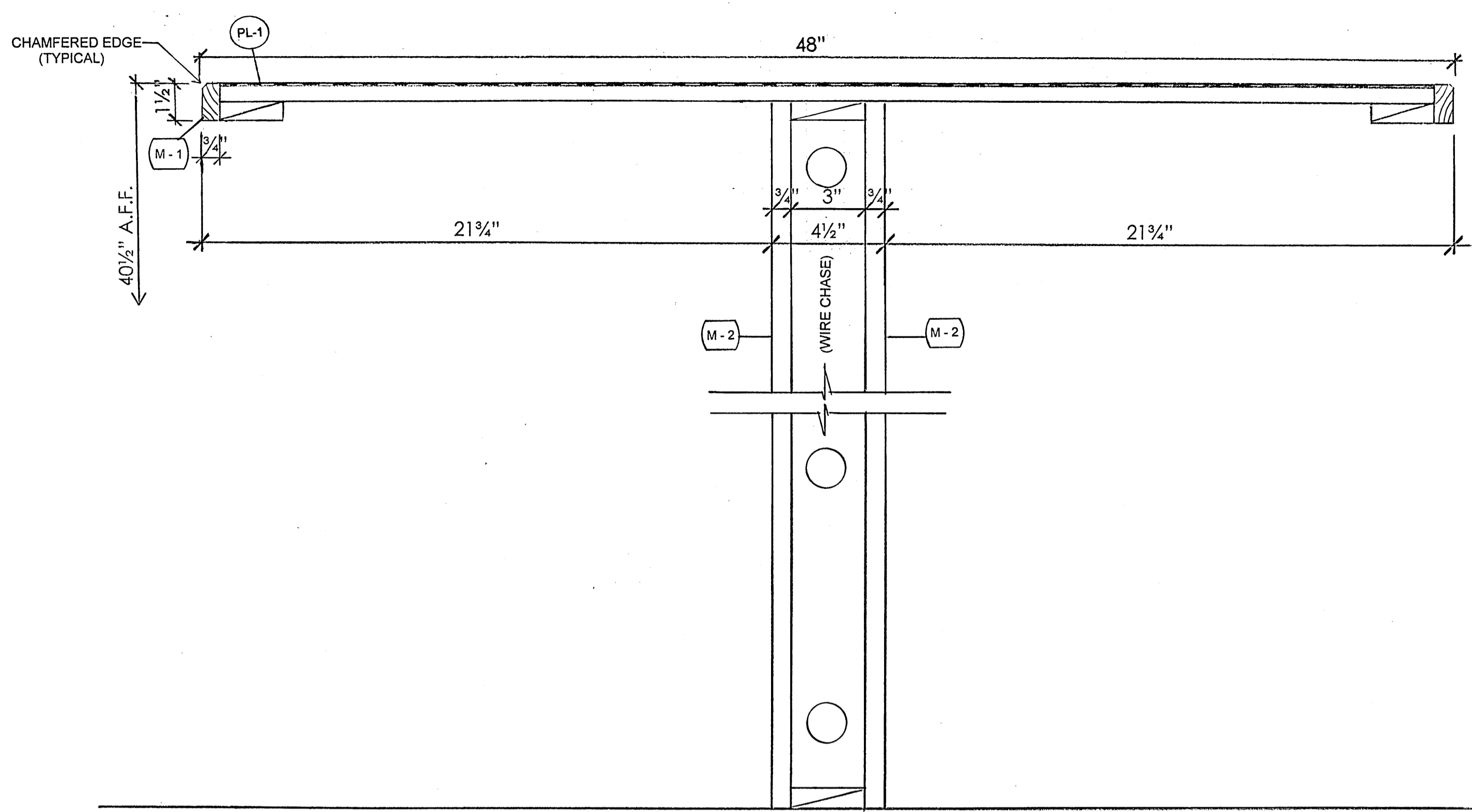
CODE	MATERIAL	MANUFACTURER	COLOR	NUMBER
PL-1	HIGH PRESS. PL. LAM.			
FOR COUNTERTOPS LISTED BELOW:				
	COUNTERTOP @ PLAN TABLE #1, (SEE PG.#1.0)			
	COUNTERTOP @ PLAN TABLE #2, (SEE PG.#2.0)			
	COUNTERTOP @ CRENZNA, (SEE PG.#3)			
	WORK COUNTERS @ RECEPTION DESK, (SEE PG.#4)			



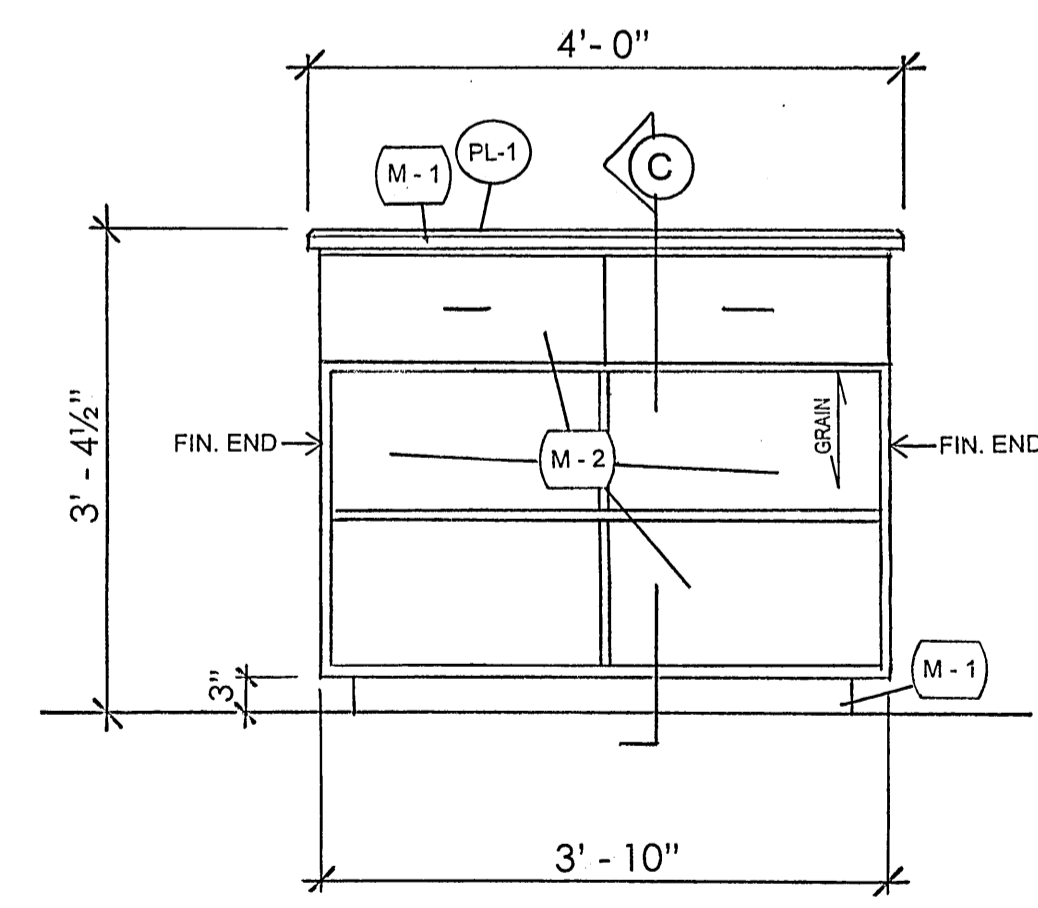
PLAN VIEW - PLAN TABLE #1
SCALE: 3/4" = 1' - 0"



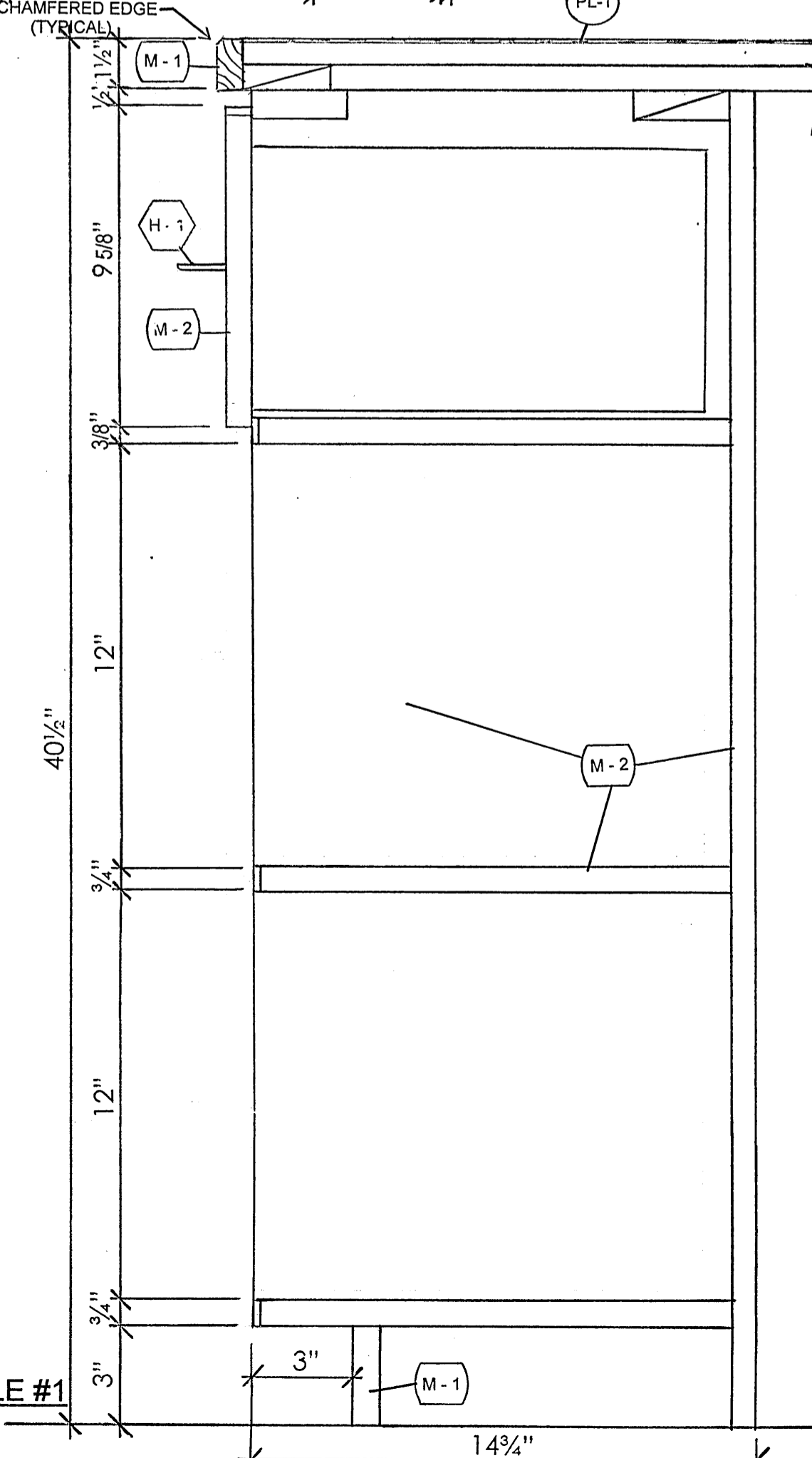
ELEVATION #1 - PLAN TABLE #1
SCALE: 3/4" = 1' - 0"



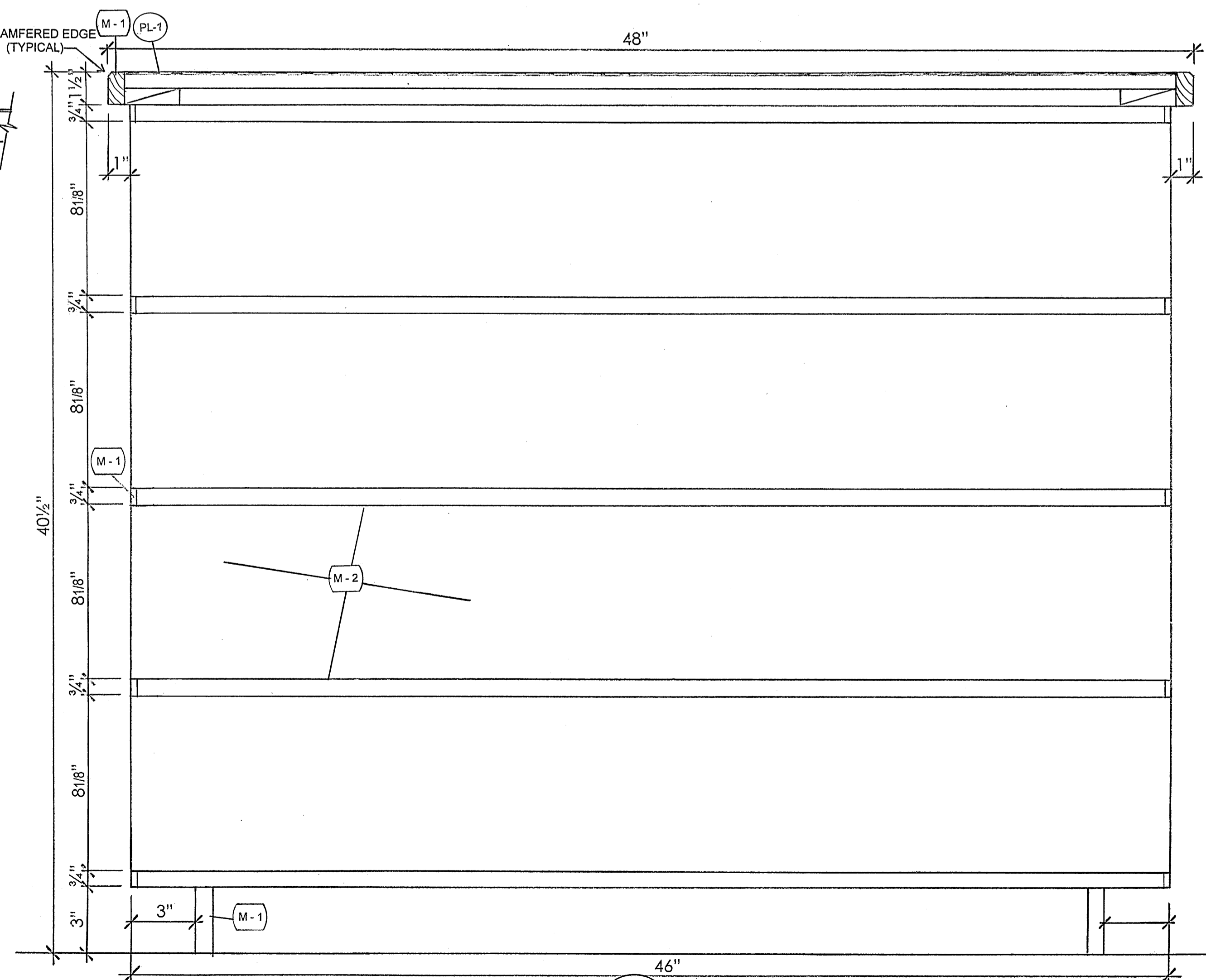
SECTION B - PLAN TABLE #1
3" = 1' - 0"



ELEVATION #2 - PLAN TABLE #1
SCALE: 3/4" = 1' - 0"



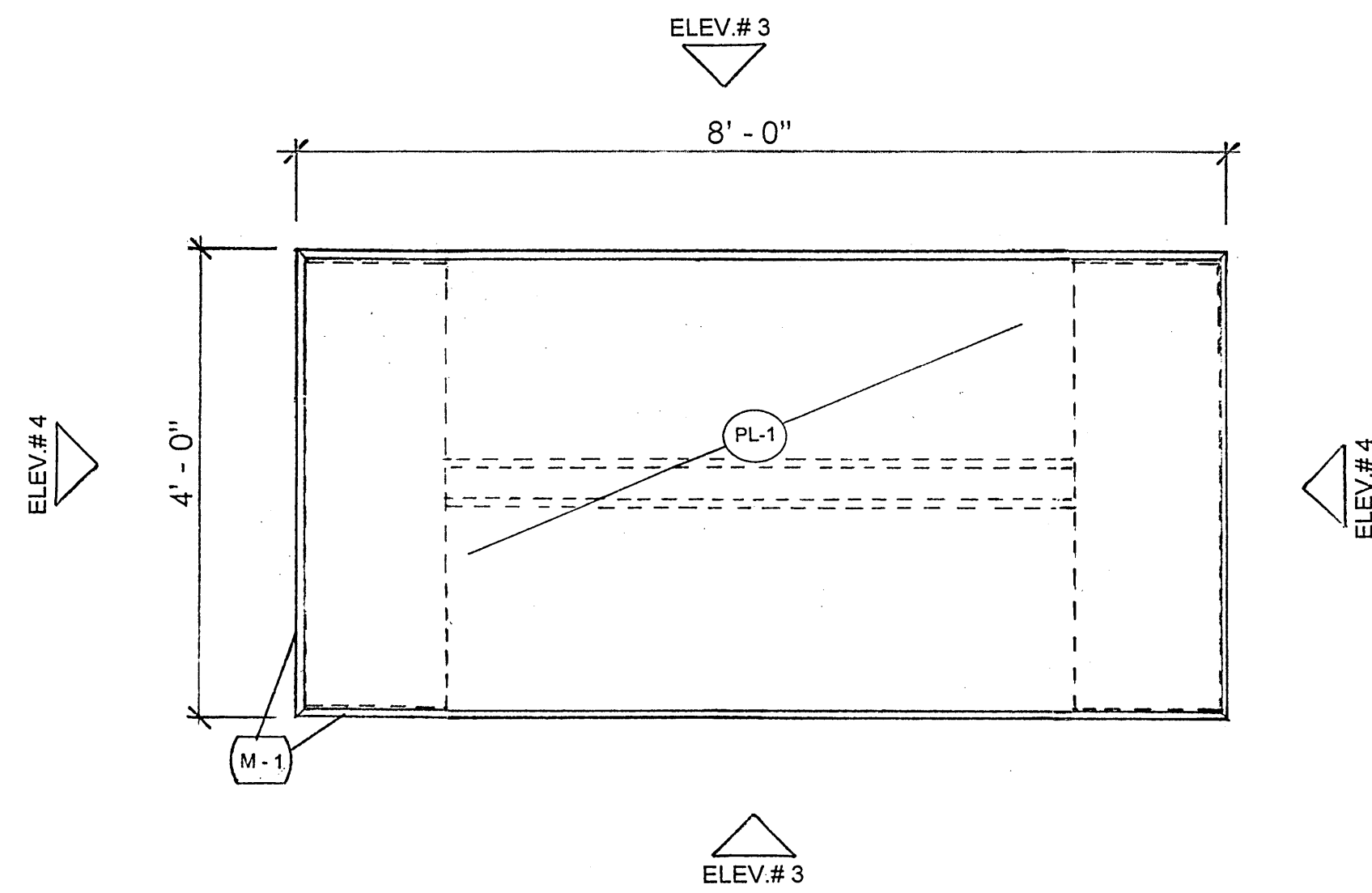
SECTION C - PLAN TABLE #1
3" = 1' - 0"



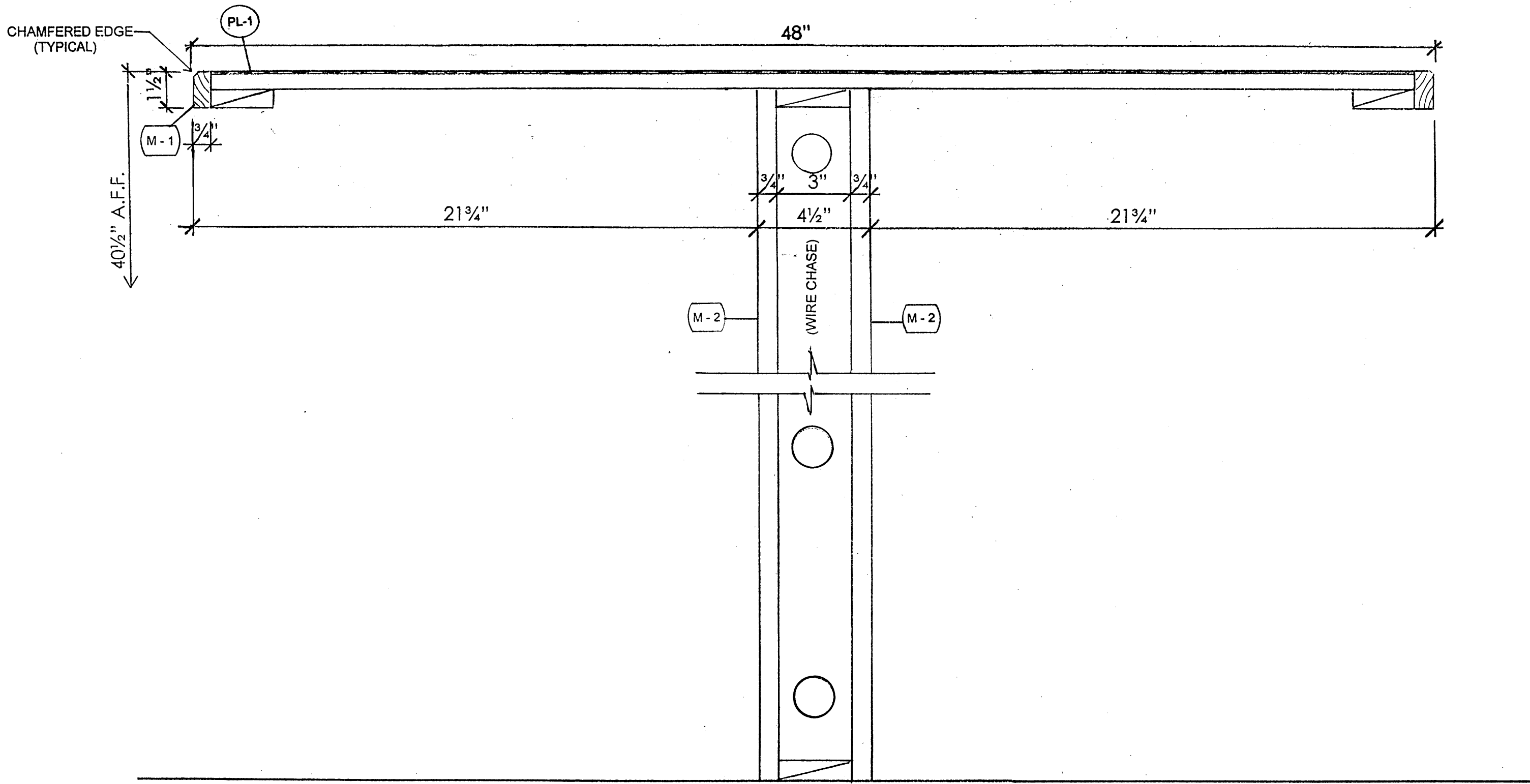
SECTION A - PLAN TABLE #1
3" = 1' - 0"

ISSUE DATE:	3/18/11
REVISION #:	1 3/28/11
REVISION #:	
REVISION #:	
REVISION #:	

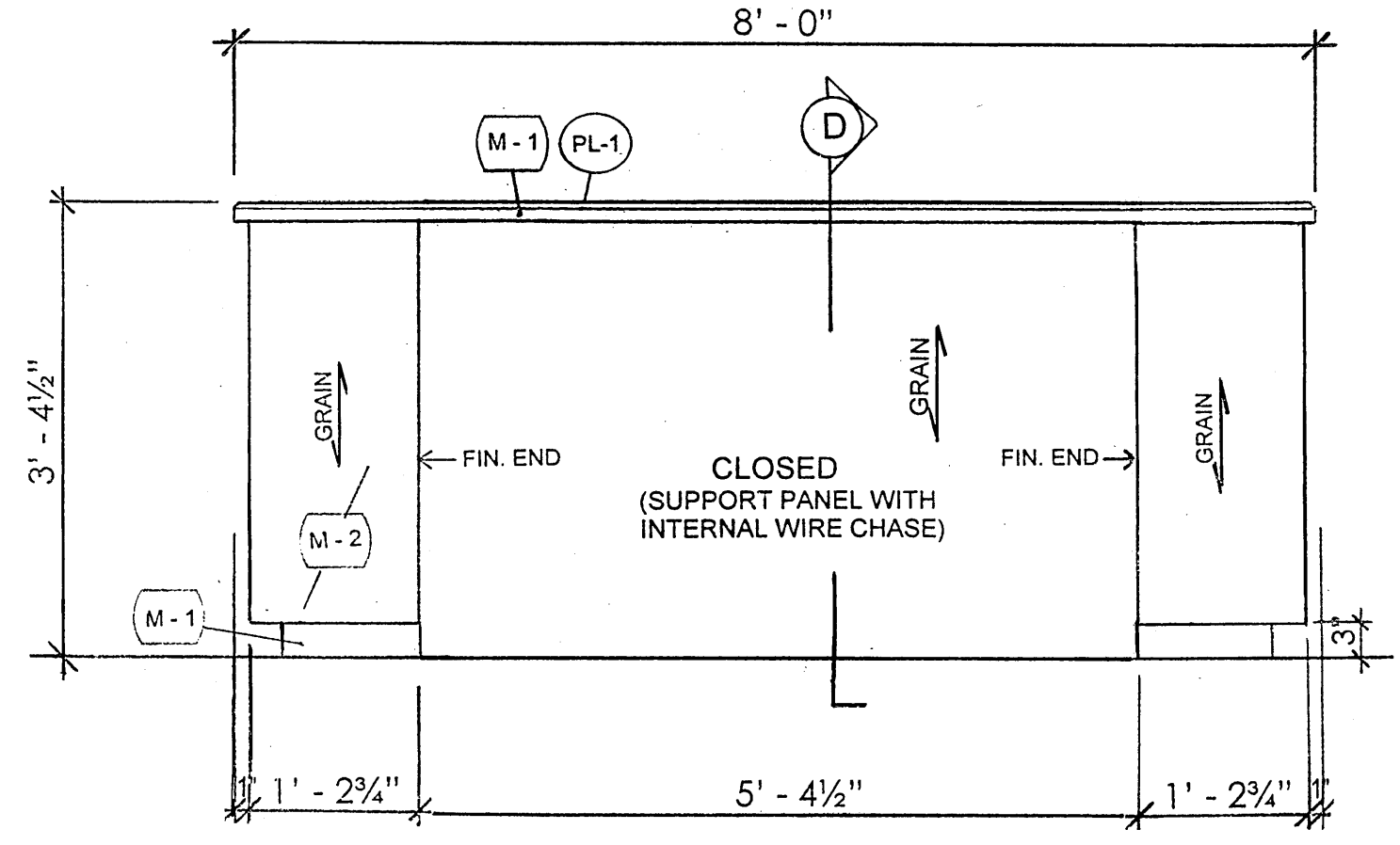
PRECISION MILLWORK			
200 JOHN ROBERTS ROAD		SOUTH PORTLAND, MAINE 04106	
(207) 761-3997		FAX (207) 761-0474	
SCALE:	AS SHOWN	APPROVED BY:	JOB#
DATE:	3/18/11		11-5921
		DRAWN BY:	SM
		REVISED:	
CONSIGLI OFFICES			
Portland, ME			
PLAN TABLE #1			DRAWING NUMBER
			1.0



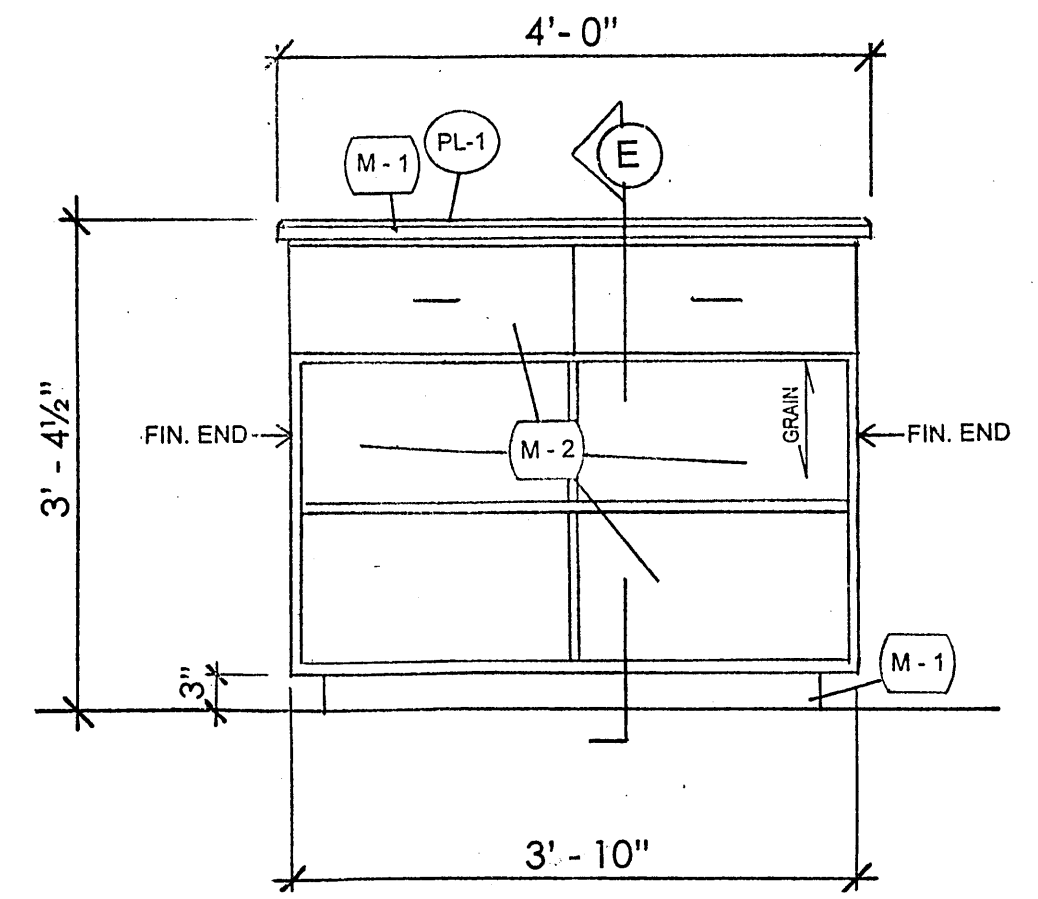
PLAN VIEW - TABLE #2
 SCALE: 3/4" = 1' - 0"



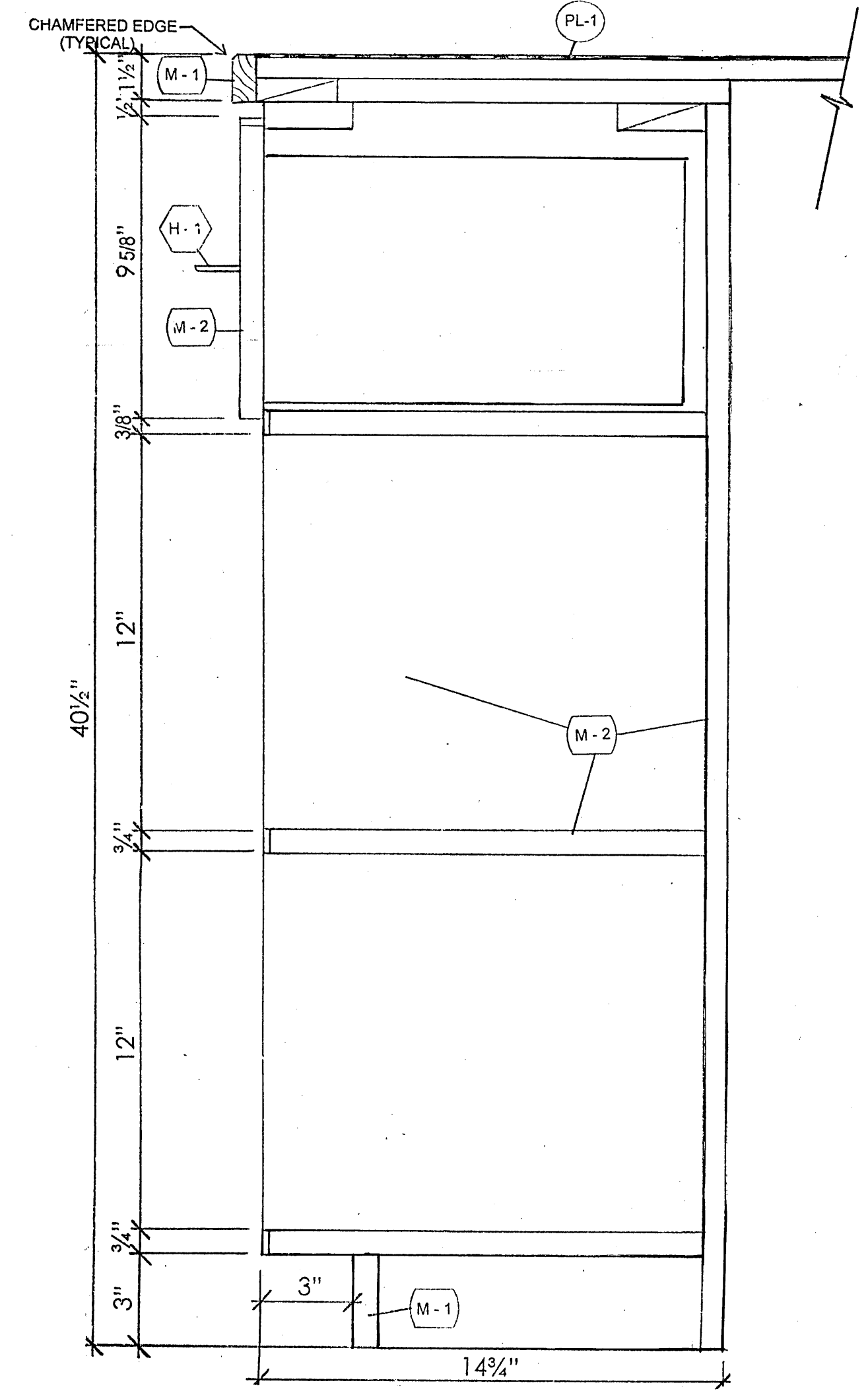
SECTION E PLAN TABLE #2
 3" = 1' - 0"



ELEVATION #3 - PLAN TABLE #2
 SCALE: 3/4" = 1' - 0"

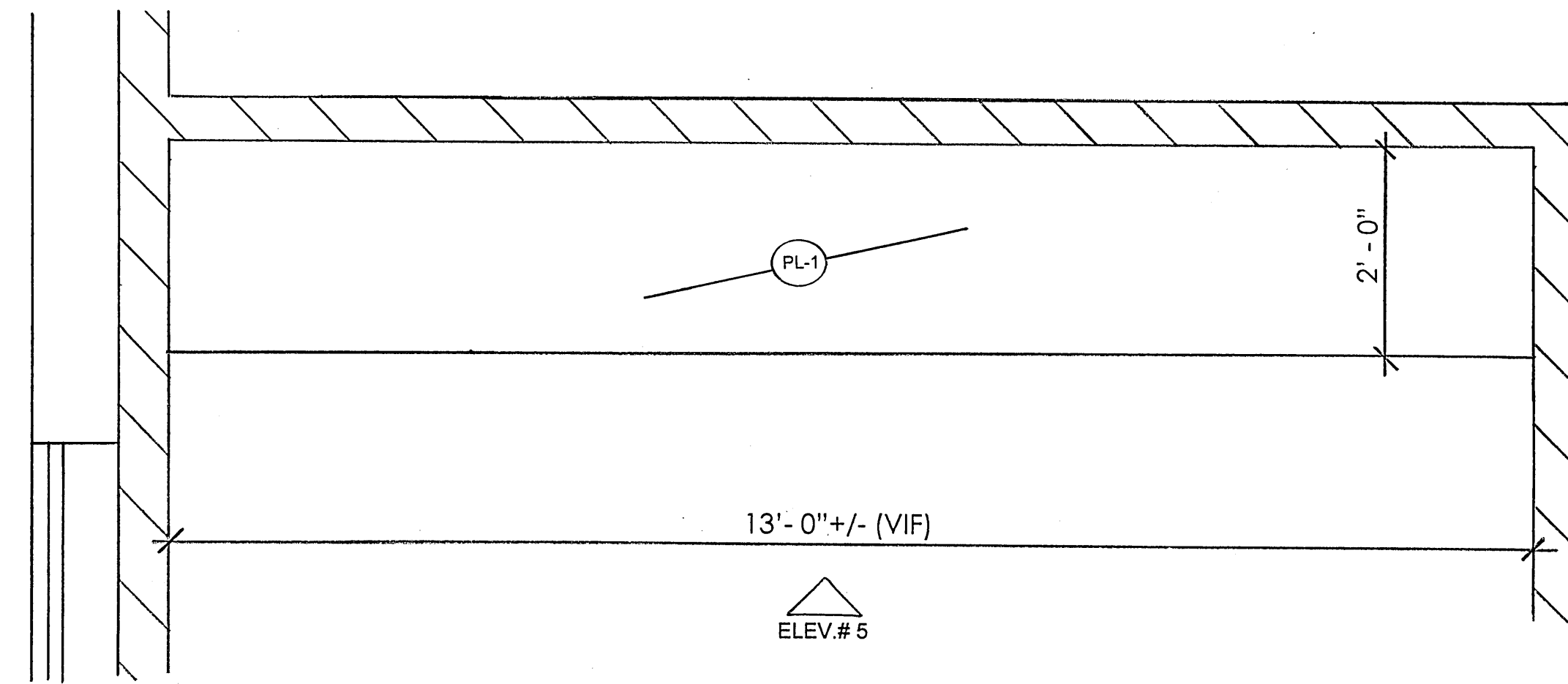


ELEVATION #4 - PLAN TABLE #2
 SCALE: 3/4" = 1' - 0"

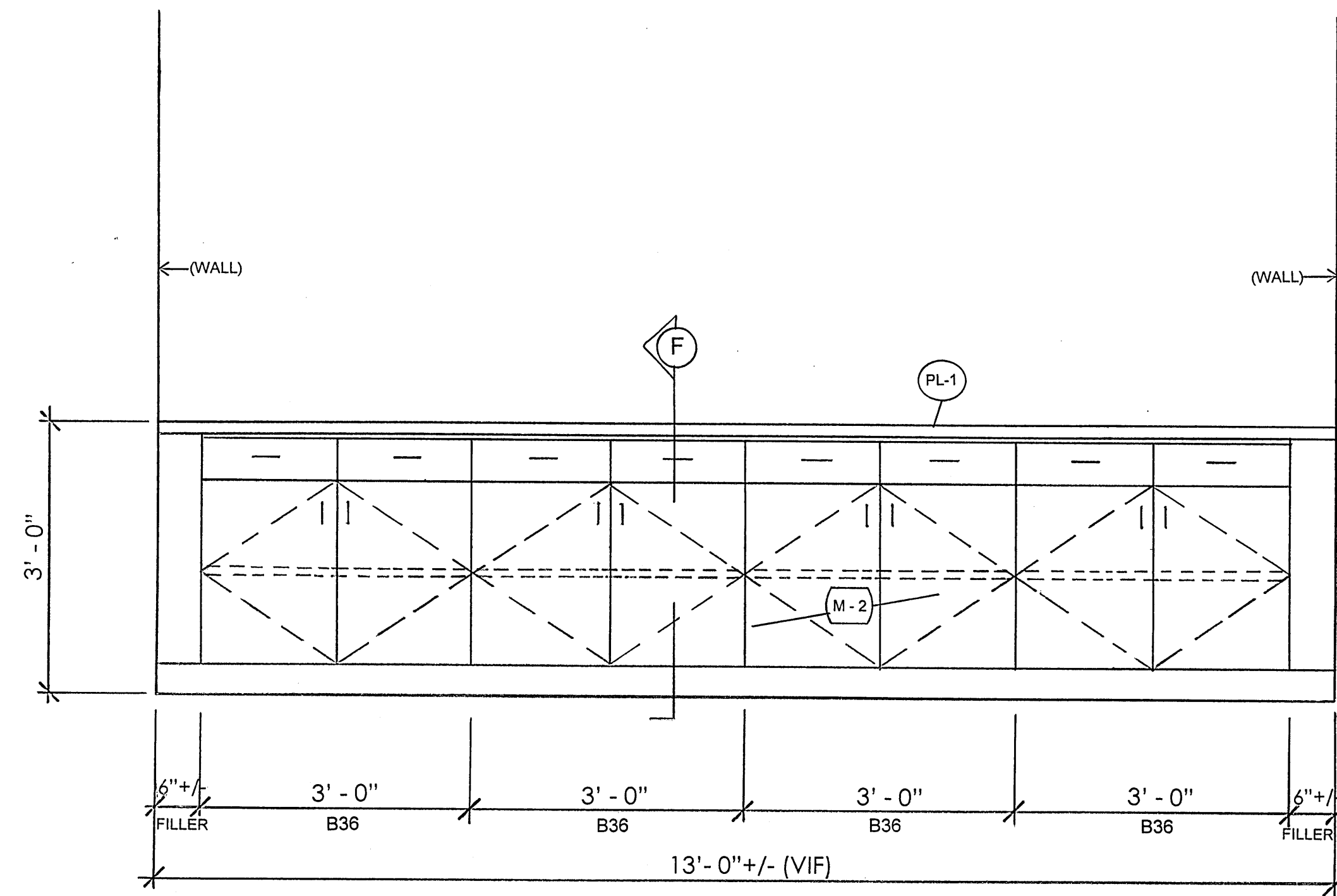


MATERIAL				
M-1	SOLID MAPLE W/ CLEAR SATIN FINISH.			
M-2	MAPLE VENEER W/ CLEAR SATIN FINISH.			
M-3	CORK BOARD, (@ RECEPTION DESK).			
M-4	3/16" AQUATEX GLASS.			
M-5	1 1/2" MAPLE VENEER DOOR LEAFS.			
M-6	1/4" CLEAR GLASS (@ TRANSOMS)			
HARDWARE				
#	DISCRIPTION	TYPE	FINISH	QTY.
H-1	WIRE PULLS	96mm WIRE	US26D	(20)
H-2	UNDERCOUNTER STEEL SUPPORT BRACKET		WHITE	(3)
H-3	SIDE-MOUNT SLIDING DOOR SYSTEM	PEMCO #280 KITS LISTED BELOW:		
		280SWTKIT/6 (6 FT. TRACK & FASCIA)		(2)
		280SWTKIT/8 (8 FT. TRACK & FASCIA)		(1)
LAMINATES				
CODE	MATERIAL	MANUFACTURER	COLOR	NUMBER
PL-1	HIGH PRESS. PL LAM.	(MFG. & COLOR(S) TO BE DETERMINED)		
FOR COUNTERTOPS LISTED BELOW:				
• COUNTERTOP @ PLAN TABLE #1, (SEE PG.#1.0)				
• COUNTERTOP @ PLAN TABLE #2, (SEE PG.#2.0)				
• COUNTERTOP @ CREDENZA, (SEE PG.#3)				
• WORK COUNTERS @ RECEPTION DESK, (SEE PG.#4)				

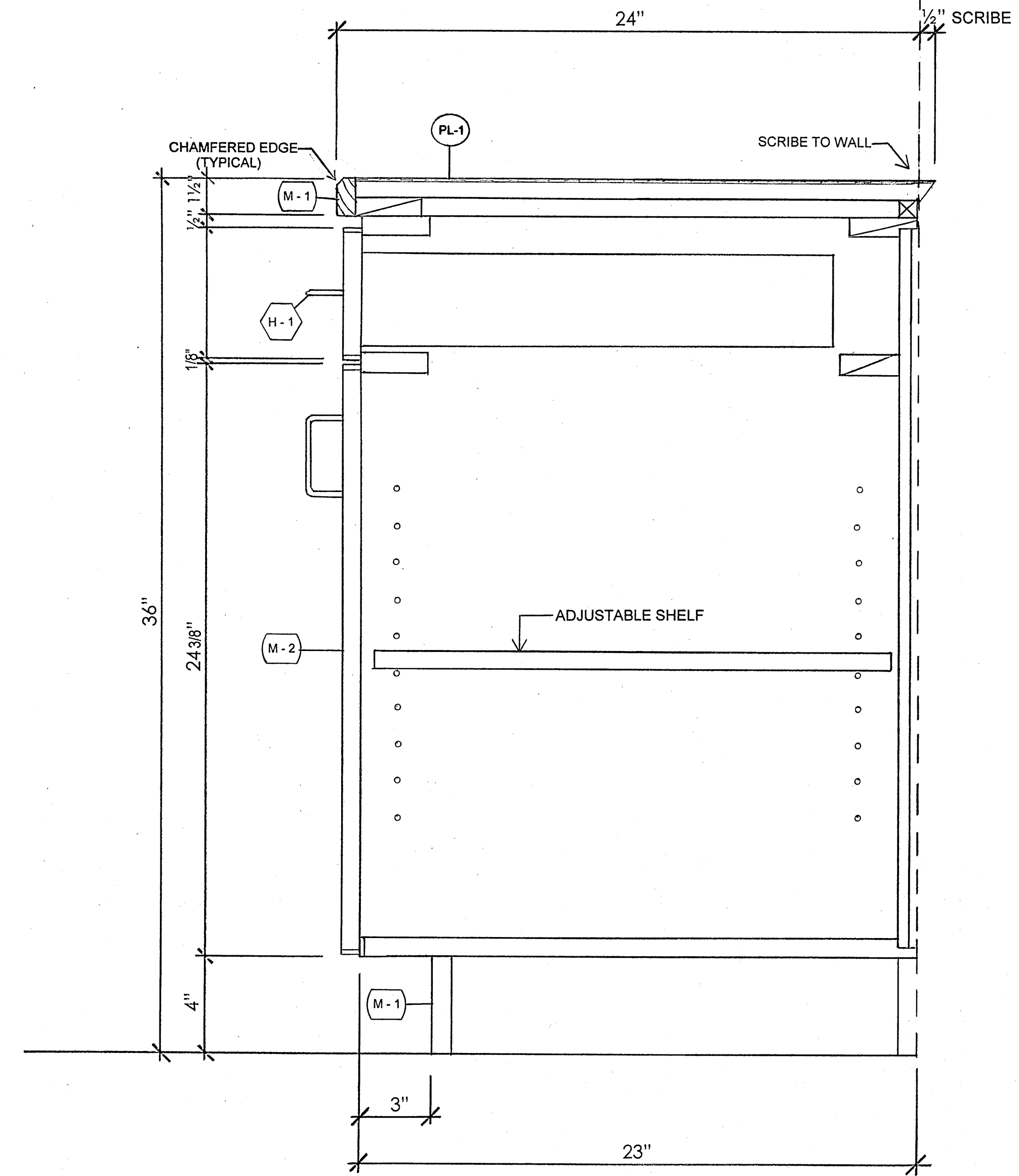
ISSUE DATE:	3/18/11		
REVISION #:	1 3/28/11		
REVISION #:			
REVISION #:			
REVISION #:			
REVISION #:			
PRECISION MILLWORK 200 JOHN ROBERTS ROAD SOUTH PORTLAND, MAINE 04106 (207) 761-3997 FAX (207) 761-0474			
SCALE: AS SHOWN	APPROVED BY:	JOB#	DRAWN BY
DATE: 3/18/11		11-5921	SM
CONSIGLI OFFICES Portland, ME		REVISED	
PLAN TABLE #2		DRAWING NUMBER	2.0



PLAN VIEW - CREDENZA
 SCALE: 3/4" = 1' - 0"



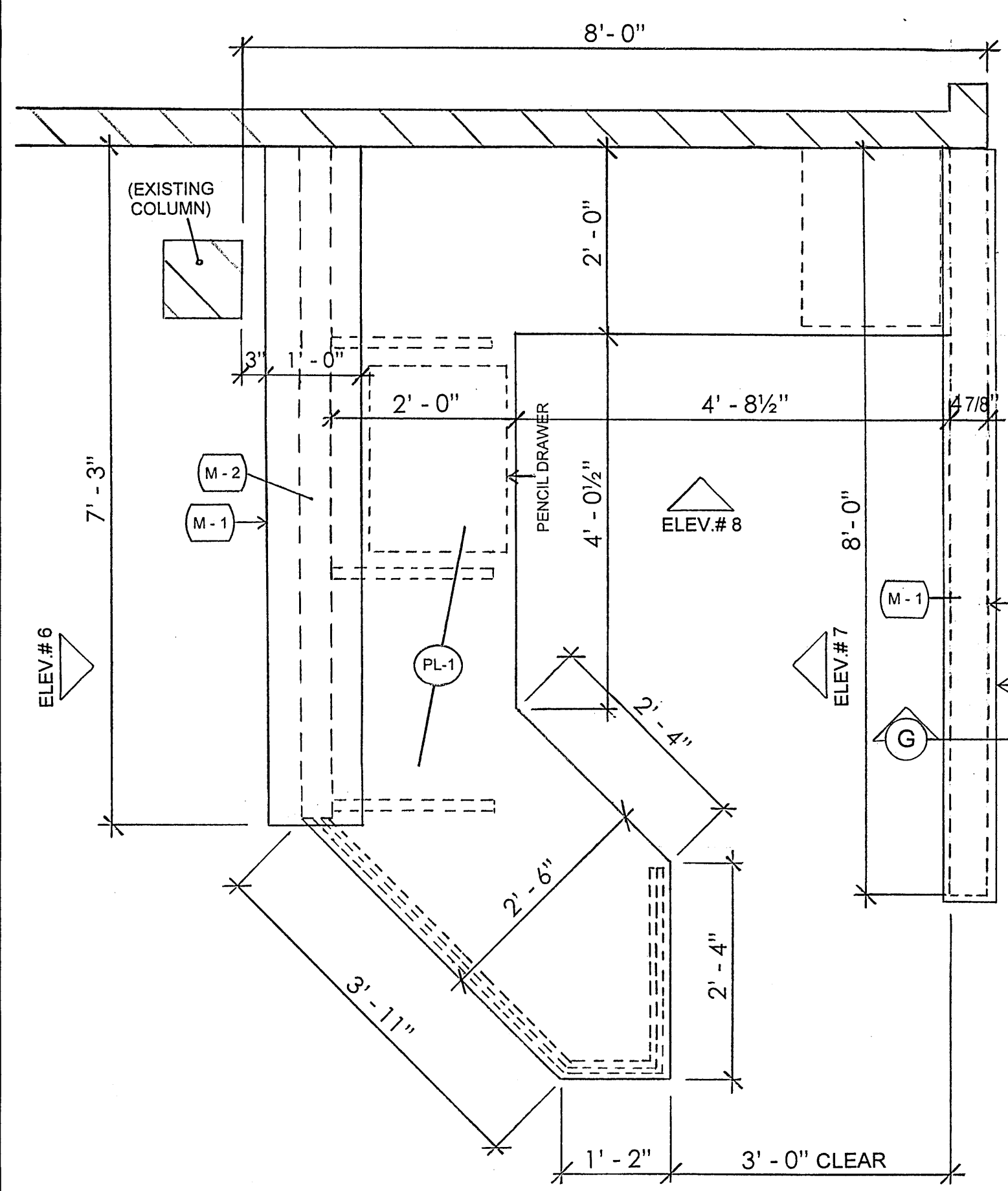
ELEVATION #5 - CREDENZA
 SCALE: 3/4" = 1' - 0"



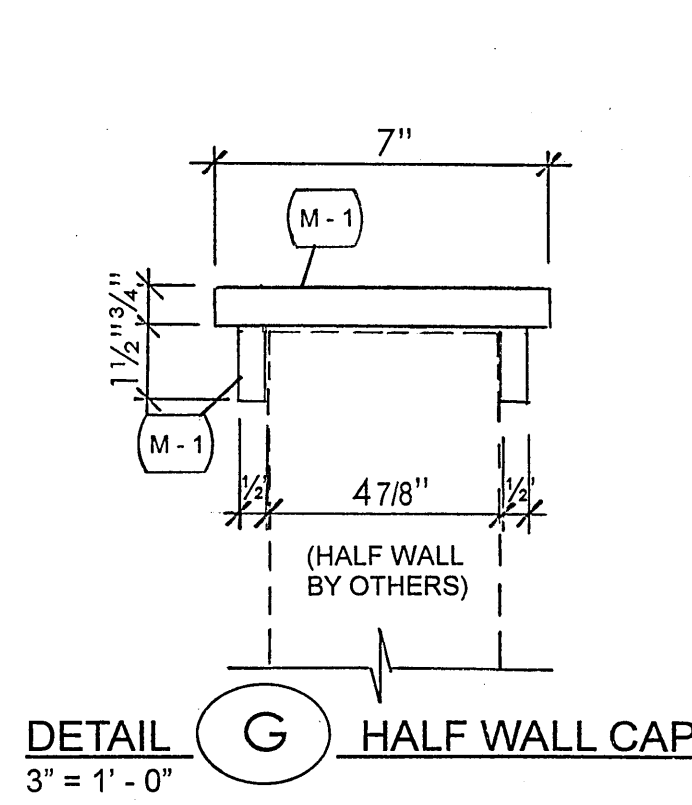
SECTION F CREDENZA
 3" = 1' - 0"

MATERIAL			
M-1	SOLID MAPLE W/ CLEAR SATIN FINISH.		
M-2	MAPLE VENEER W/ CLEAR SATIN FINISH.		
M-3	CORK BOARD, (@ RECEPTION DESK).		
M-4	3/16" AQUATEX GLASS.		
M-5	1/4" MAPLE VENEER DOOR LEAFS.		
M-6	1/4" CLEAR GLASS (@ TRANSOMS)		
HARDWARE			
#	DISCRIPTION	TYPE	FINISH
H-1	WIRE PULLS	96mm WIRE	US26D (20)
H-2	UNDERCOUNTER STEEL SUPPORT BRACKET		WHITE (3)
H-3	SIDE-MOUNT SLIDING DOOR SYSTEM PEMKO #280 KITS LISTED BELOW:		
	280SWTKIT/6 (6 FT. TRACK & FASCIA)		(2)
	280SWTKIT/8 (8 FT. TRACK & FASCIA)		(1)
LAMINATES			
CODE	MATERIAL	MANUFACTURER	COLOR
PL-1	HIGH PRESS. PL. LAM. (MFG. & COLOR(S) TO BE DETERMINED)		
FOR COUNTERTOPS LISTED BELOW:			
	COUNTERTOP @ PLAN TABLE #1, (SEE PG.#1.0)		
	COUNTERTOP @ PLAN TABLE #2, (SEE PG.#2.0)		
	COUNTERTOP @ CREDENZA, (SEE PG.#3)		
	WORK COUNTERS @ RECEPTION DESK, (SEE PG.#4)		

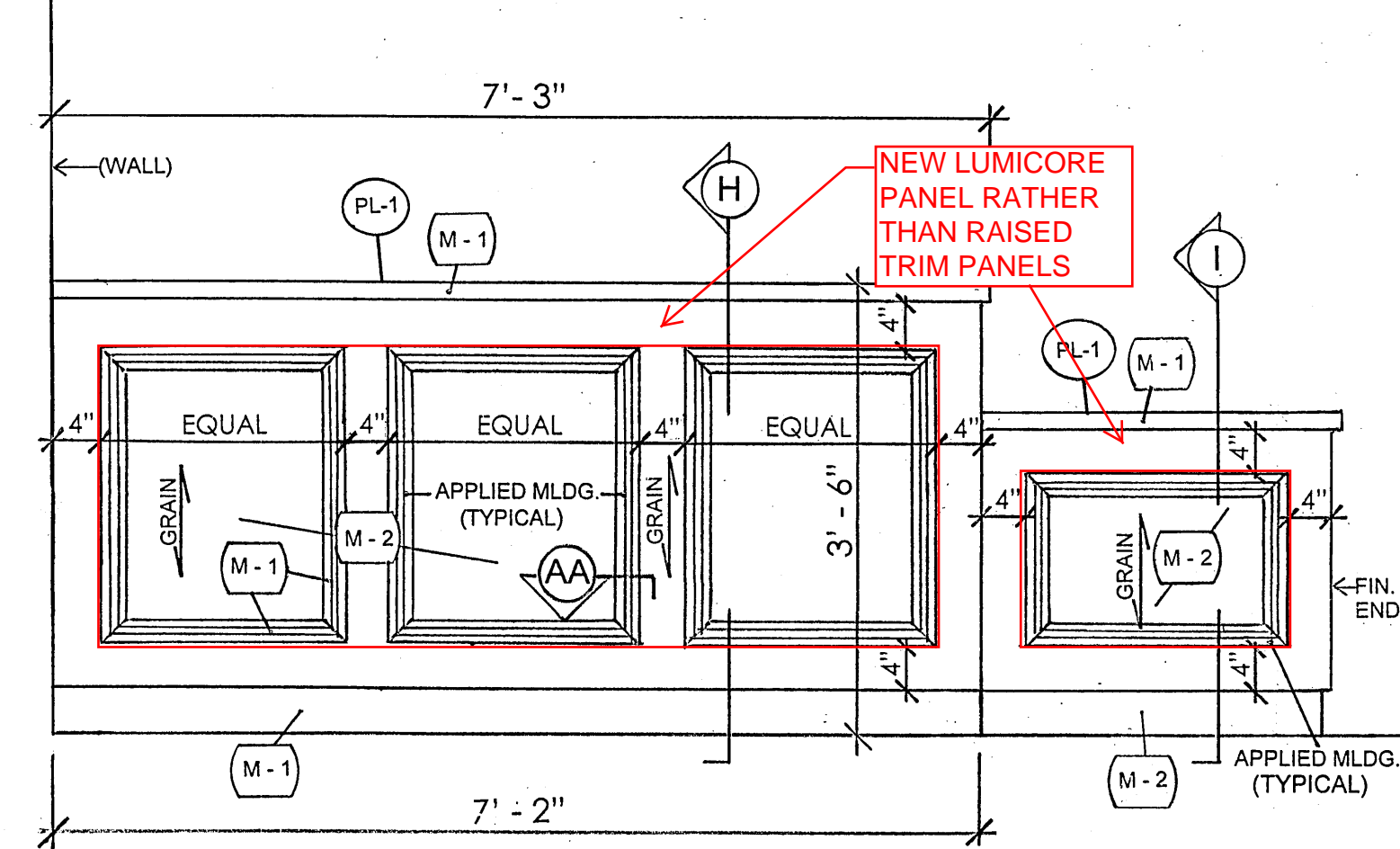
ISSUE DATE:	3/18/11
REVISION #1:	3/28/11
REVISION #:	
REVISION #:	
REVISION #:	
REVISION #:	
PRECISION MILLWORK	
200 JOHN ROBERTS ROAD SOUTH PORTLAND, MAINE 04106	
(207) 761-3997 FAX (207) 761-0474	
SCALE:	AS SHOWN
DATE:	3/18/11
APPROVED BY:	
JOB#	11-5921
DRAWN BY	SM
REVISED	
CONSIGLI OFFICES	
Portland, ME	
CREDENZA	DRAWING NUMBER 3.0



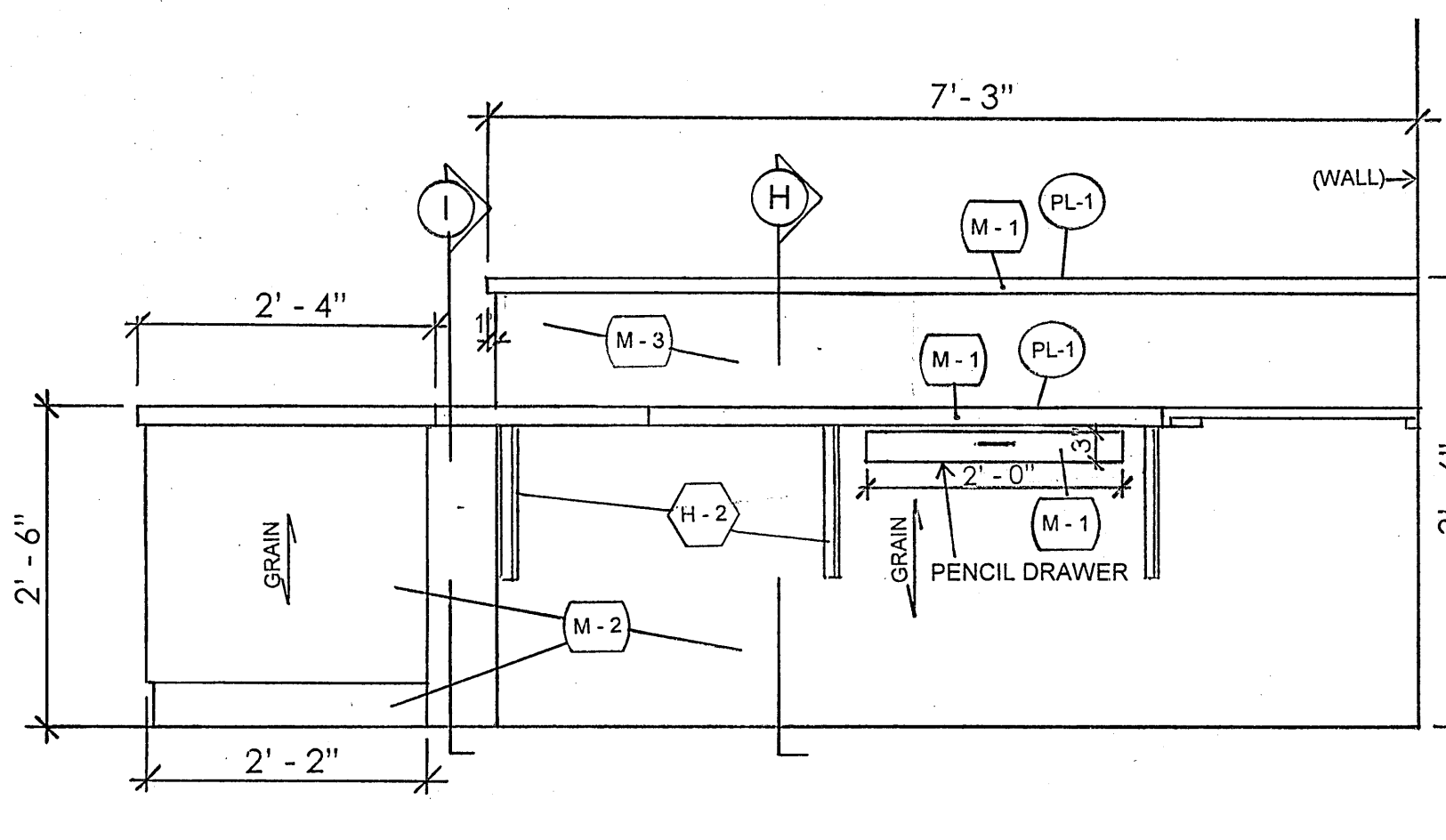
PLAN VIEW - RECEPTION DESK
 SCALE: 3/4" = 1'-0"



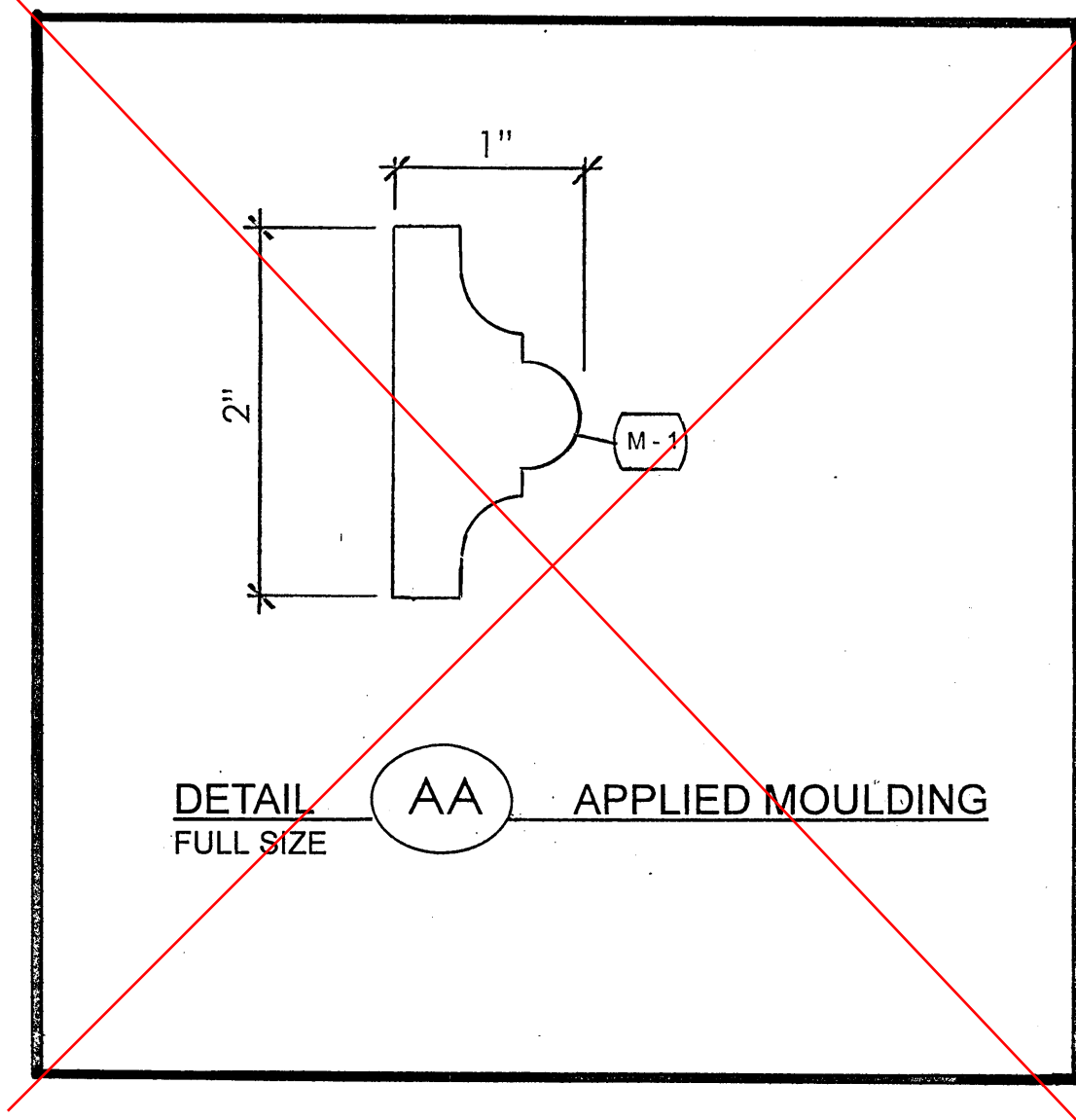
DETAIL G - HALF WALL CAP
 SCALE: 3" = 1'-0"



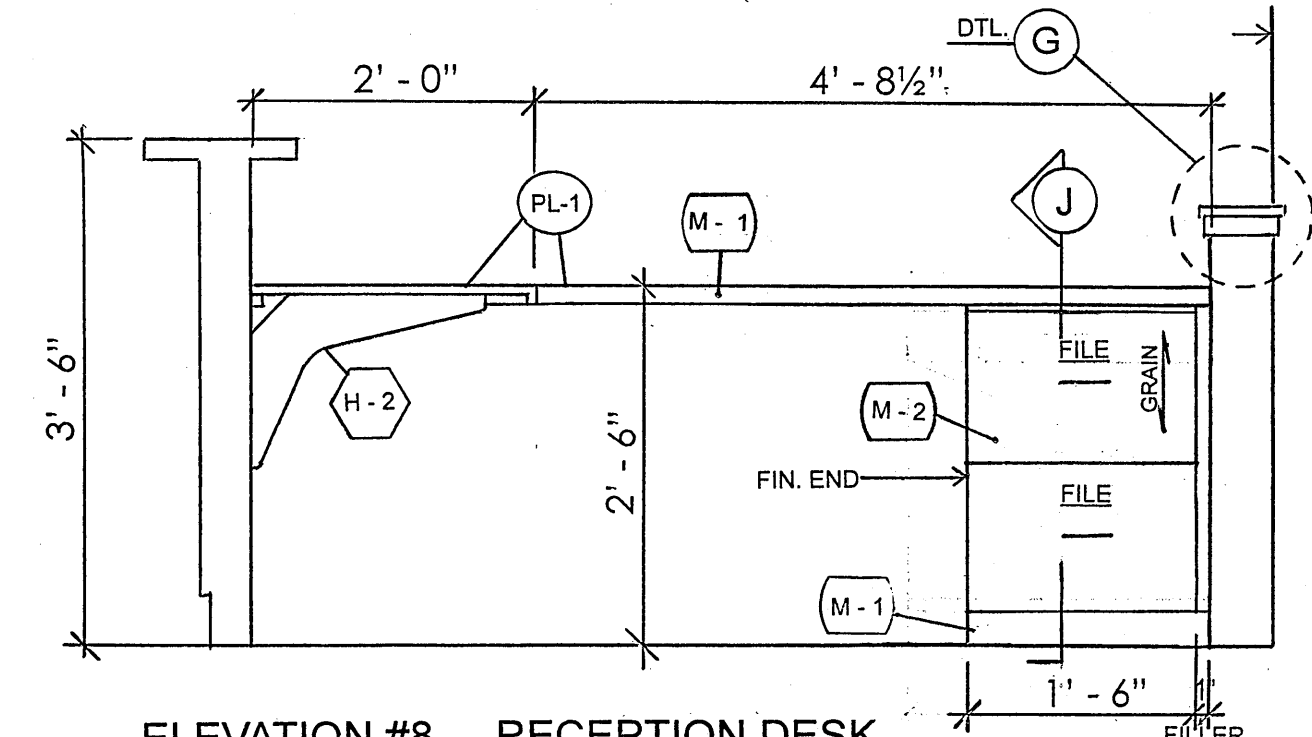
ELEVATION #6 - RECEPTION DESK
 SCALE: 3/4" = 1'-0"



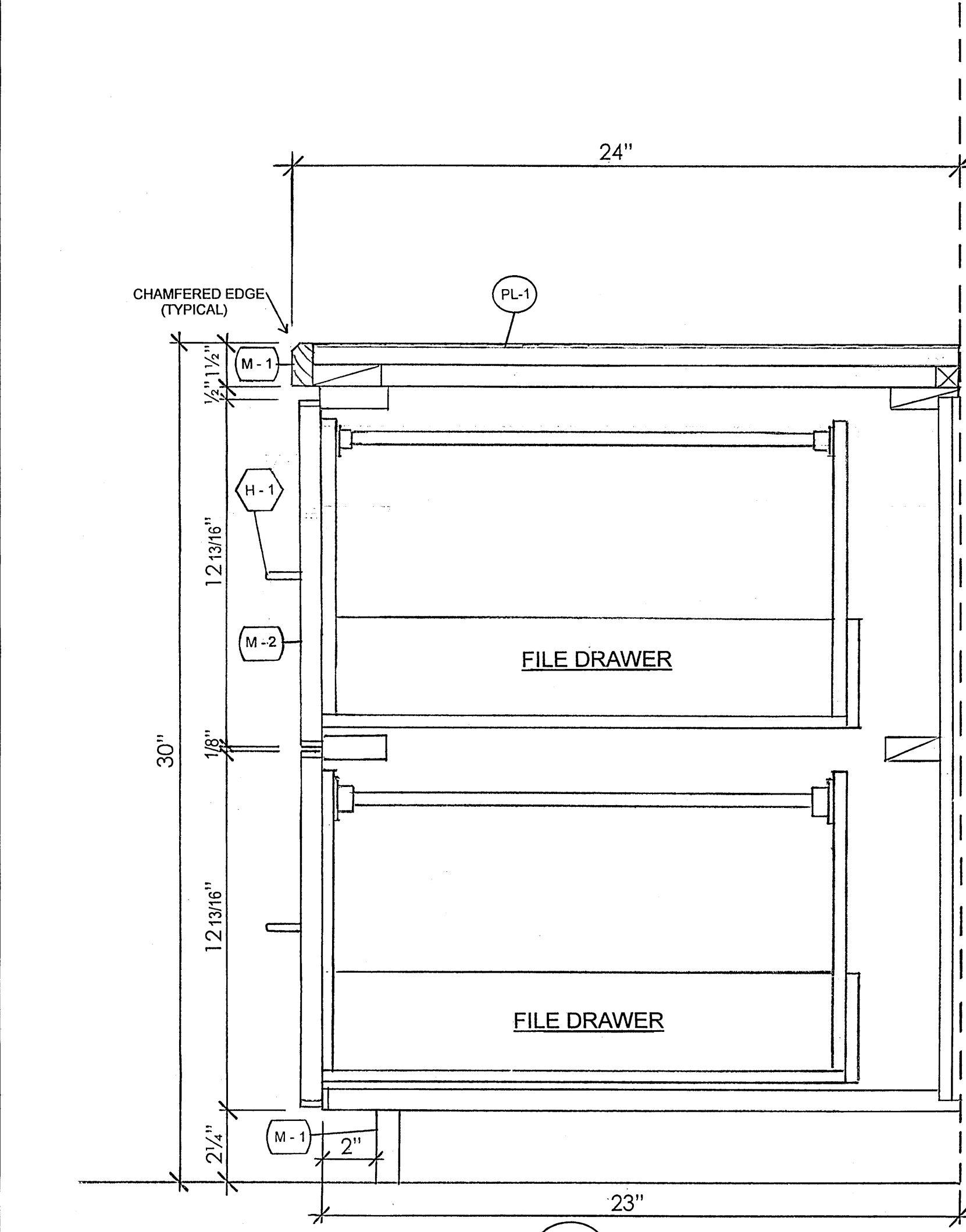
ELEVATION #7 - RECEPTION DESK
 SCALE: 3/4" = 1'-0"



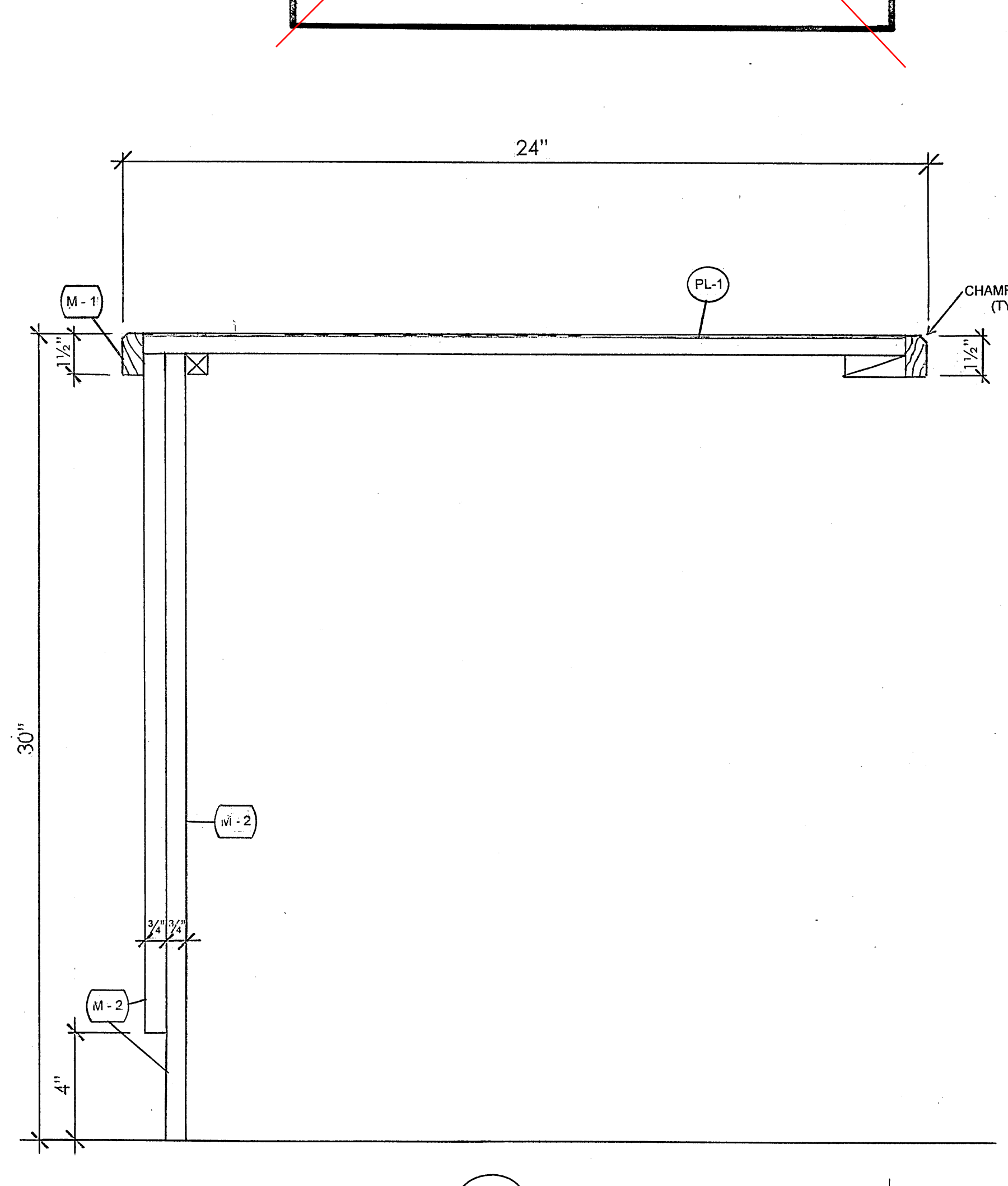
DETAIL AA - APPLIED MOULDING
 FULL SIZE



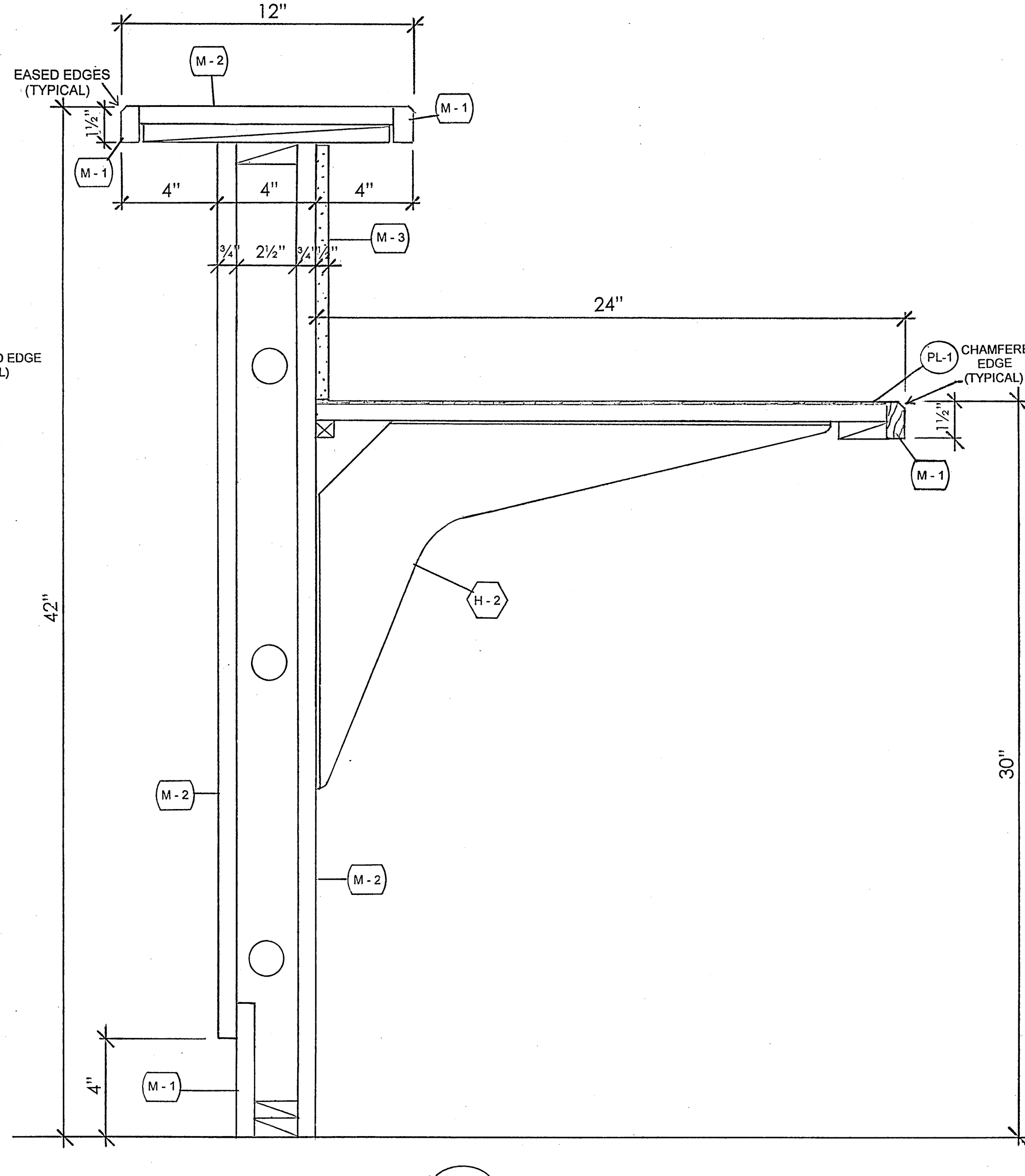
ELEVATION #8 - RECEPTION DESK
 SCALE: 3/4" = 1'-0"



SECTION J - RECEPTION DESK
 SCALE: 3" = 1'-0"



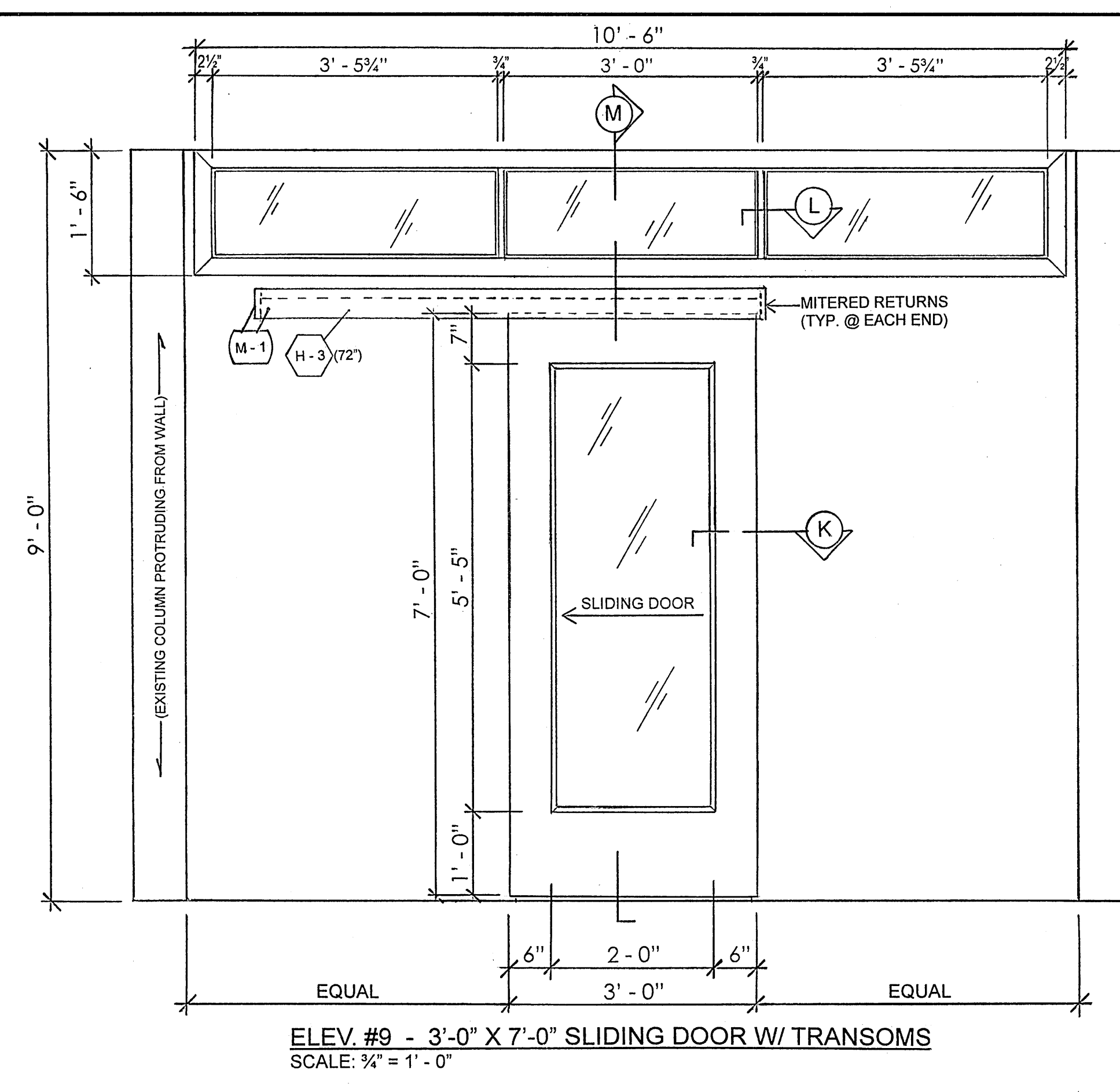
SECTION I - RECEPTION DESK
 SCALE: 3" = 1'-0"



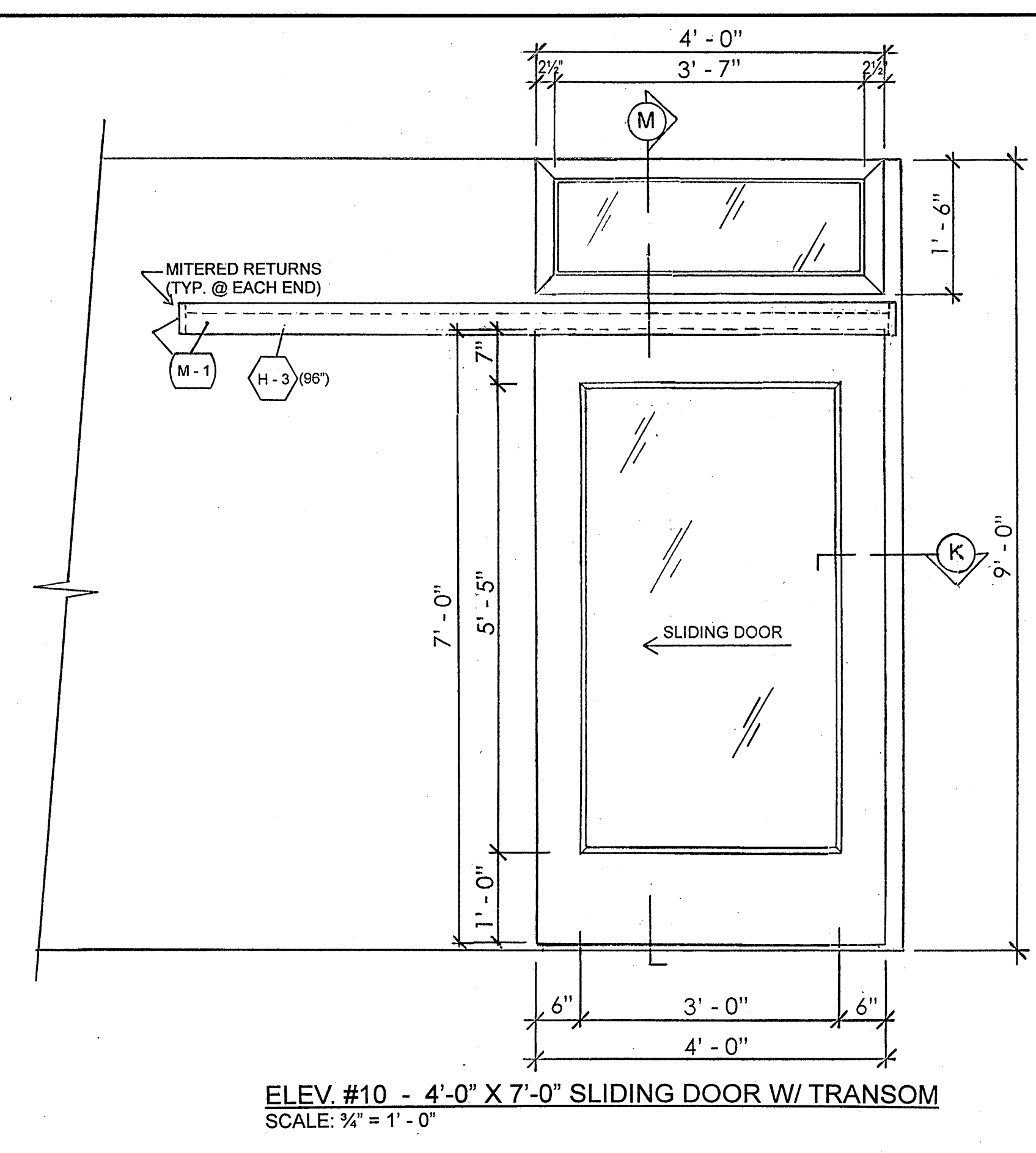
SECTION H - RECEPTION DESK
 SCALE: 3" = 1'-0"

MATERIAL			
M-1	SOLID MAPLE W/ CLEAR SATIN FINISH.		
M-2	MAPLE VENEER W/ CLEAR SATIN FINISH.		
M-3	CORK BOARD, (@ RECEPTION DESK).		
M-4	3/16" AQUATEX GLASS.		
M-5	1/4" MAPLE VENEER DOOR LEAFS.		
M-6	1/4" CLEAR GLASS (@ TRANSOMS)		
HARDWARE			
#	DISCRIPTION	TYPE	FINISH
H-1	WIRE PULLS	96mm WIRE	US26D
H-2	UNDERCOUNTER STEEL SUPPORT BRACKET		WHITE
H-3	SIDE-MOUNT SLIDING DOOR SYSTEM PEMKO #280 KITS LISTED BELOW:		
	280SWTKIT/6 (6 FT. TRACK & FASCIA)		(2)
	280SWTKIT/8 (8 FT. TRACK & FASCIA)		(1)
LAMINATES			
CODE	MATERIAL	MANUFACTURER	COLOR
PL-1	HIGH PRESS. PL. LAM. (MFG. & COLOR(S) TO BE DETERMINED)		
FOR COUNTERTOPS LISTED BELOW:			
	COUNTERTOP @ PLAN TABLE #1, (SEE PG.#1.0)		
	COUNTERTOP @ PLAN TABLE #2, (SEE PG.#2.0)		
	COUNTERTOP @ CRENDENZA, (SEE PG.#3)		
	WORK COUNTERS @ RECEPTION DESK, (SEE PG.#4)		

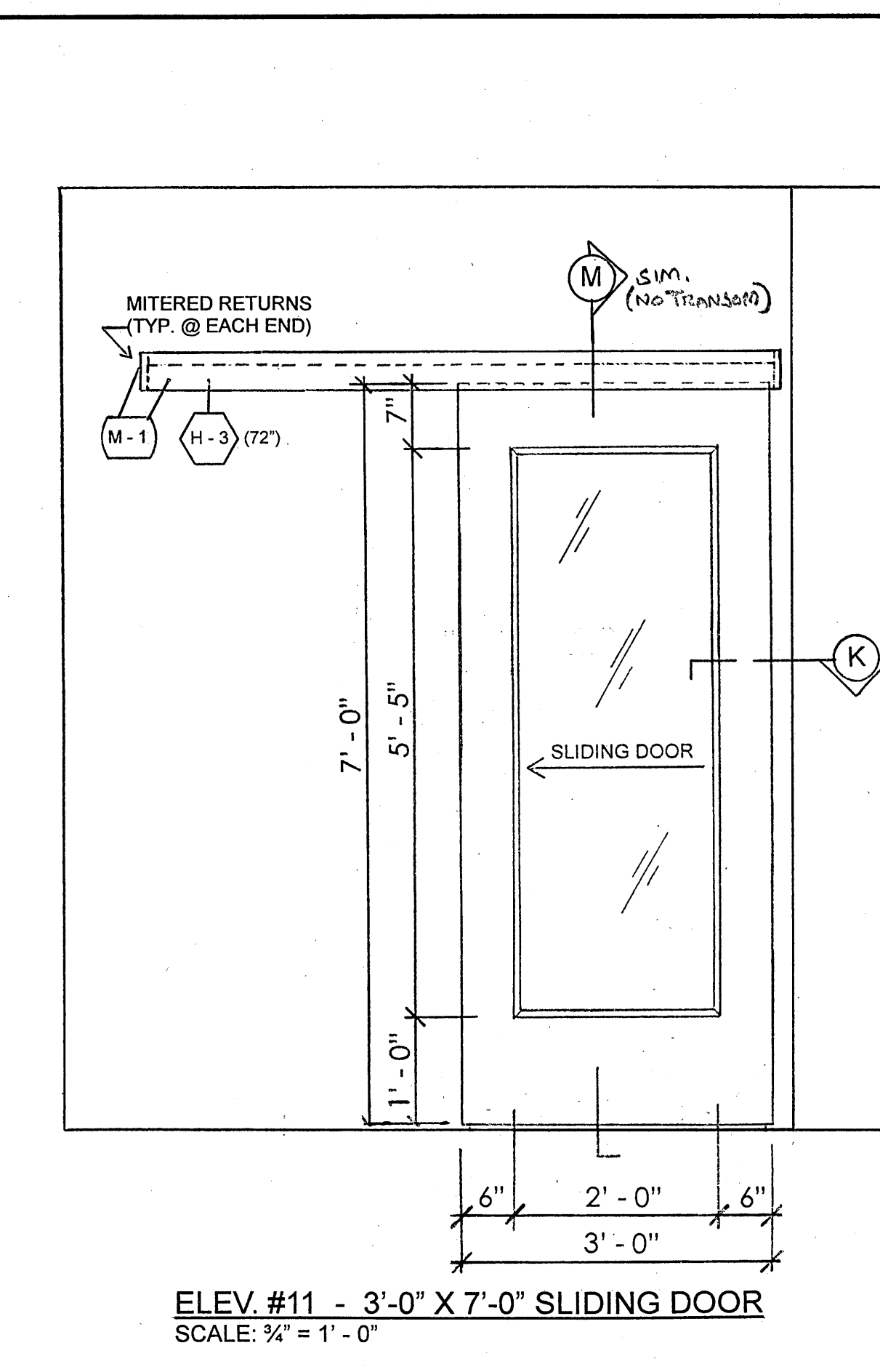
ISSUE DATE:	3/18/11
REVISION #:	1 3/28/11
REVISION #:	
REVISION #:	
REVISION #:	
REVISION #:	
PRECISION MILLWORK	
200 JOHN ROBERTS ROAD SOUTH PORTLAND, MAINE 04106	
(207) 761-3997 FAX (207) 761-0474	
SCALE:	AS SHOWN
DATE:	3/18/11
APPROVED BY:	
JOB#:	11-5921
DRAWN BY:	SM
REVISED:	
CONSIGLI OFFICES Portland, ME	
DRAWING NUMBER:	RECEPTION DESK
	4.0



ELEV. #9 - 3'-0" X 7'-0" SLIDING DOOR W/ TRANSOMS
 SCALE: 3/4" = 1' - 0"



ELEV. #10 - 4'-0" X 7'-0" SLIDING DOOR W/ TRANSOM
 SCALE: 3/4" = 1' - 0"



ELEV. #11 - 3'-0" X 7'-0" SLIDING DOOR
 SCALE: 3/4" = 1' - 0"

MATERIAL

M-1 SOLID MAPLE W/ CLEAR SATIN FINISH.
 M-2 MAPLE VENEER W/ CLEAR SATIN FINISH.
 M-3 CORK BOARD, (@ RECEPTION DESK).
 M-4 3/16" AQUATEX GLASS.
 M-5 1 1/2" MAPLE VENEER DOOR LEAF.
 M-6 1/4" CLEAR GLASS (@ TRANSOMS)

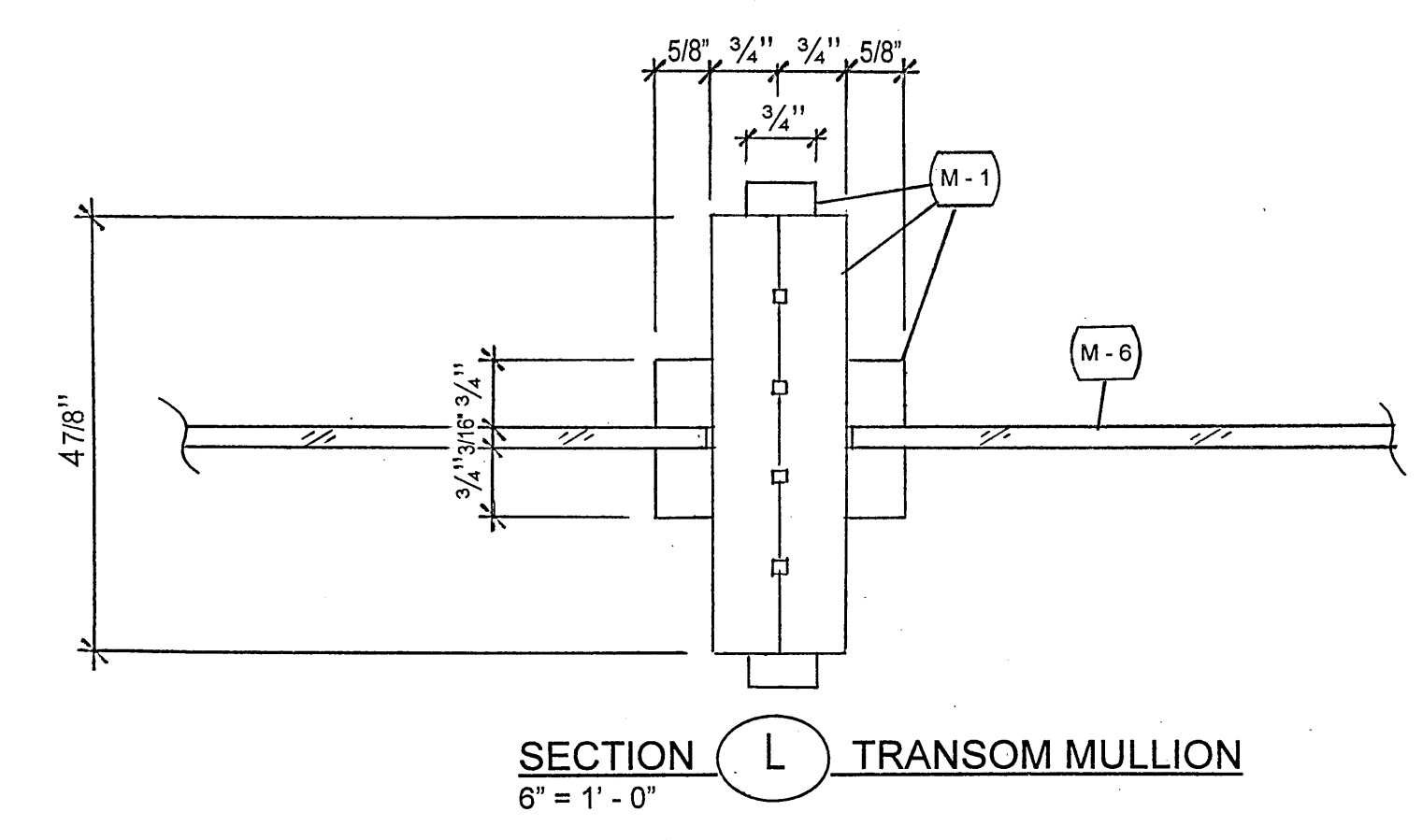
HARDWARE

#	DISCRIPTION	TYPE	FINISH	QTY.
H-1	WIRE PULLS	96mm WIRE	US26D	(20)
H-2	UNDERCOUNTER STEEL SUPPORT BRACKET		WHITE	(3)
H-3	SIDE-MOUNT SLIDING DOOR SYSTEM PEMKO #280 KITS LISTED BELOW:			
	280SWTKIT6 (6 FT. TRACK & FASCIA)			(2)
	280SWTKIT8 (8 FT. TRACK & FASCIA)			(1)

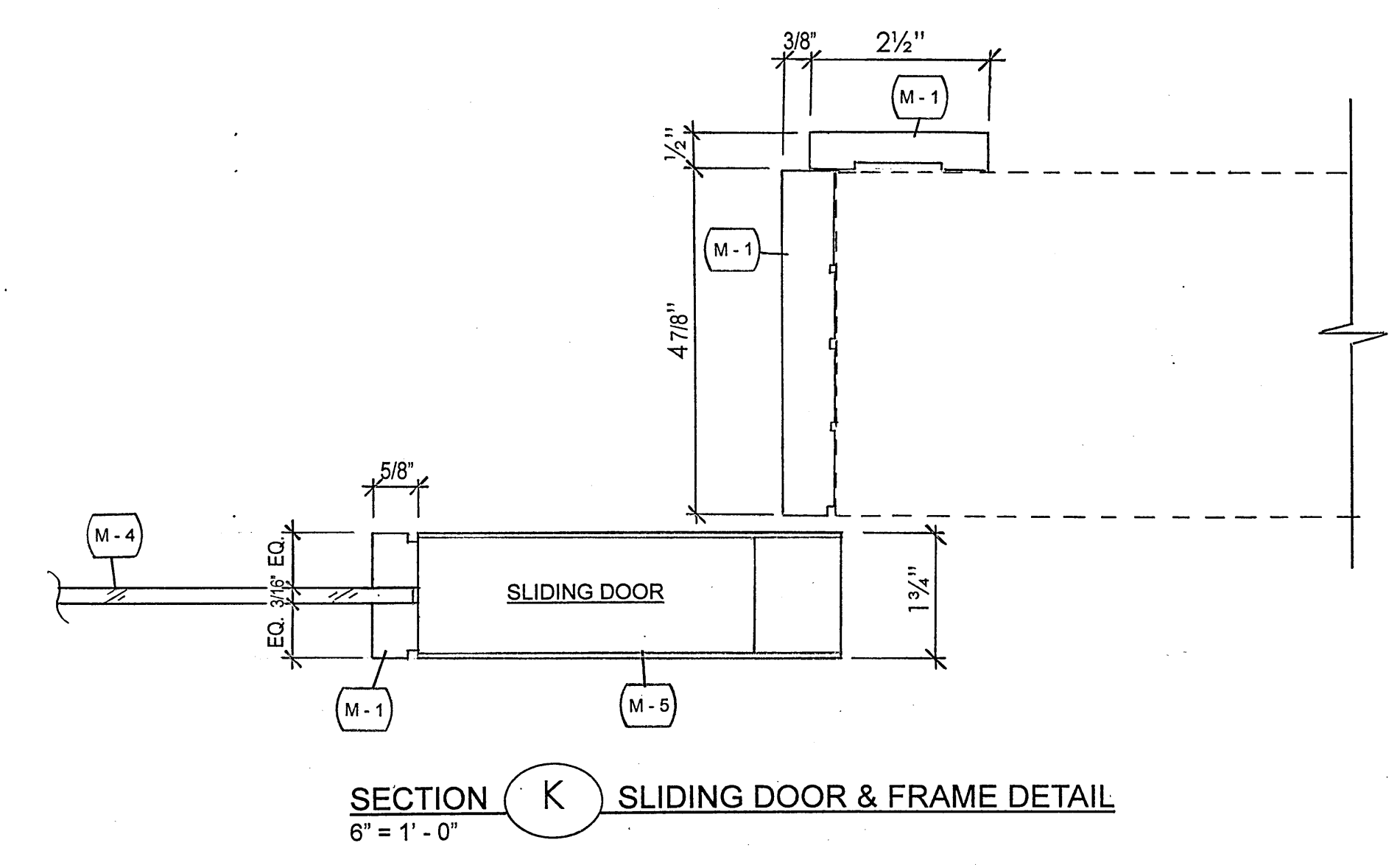
LAMINATES

CODE	MATERIAL	MANUFACTURER	COLOR	NUMBER
PL-1	HIGH PRESS. PL LAM.	(MFG. & COLOR(S) TO BE DETERMINED)		

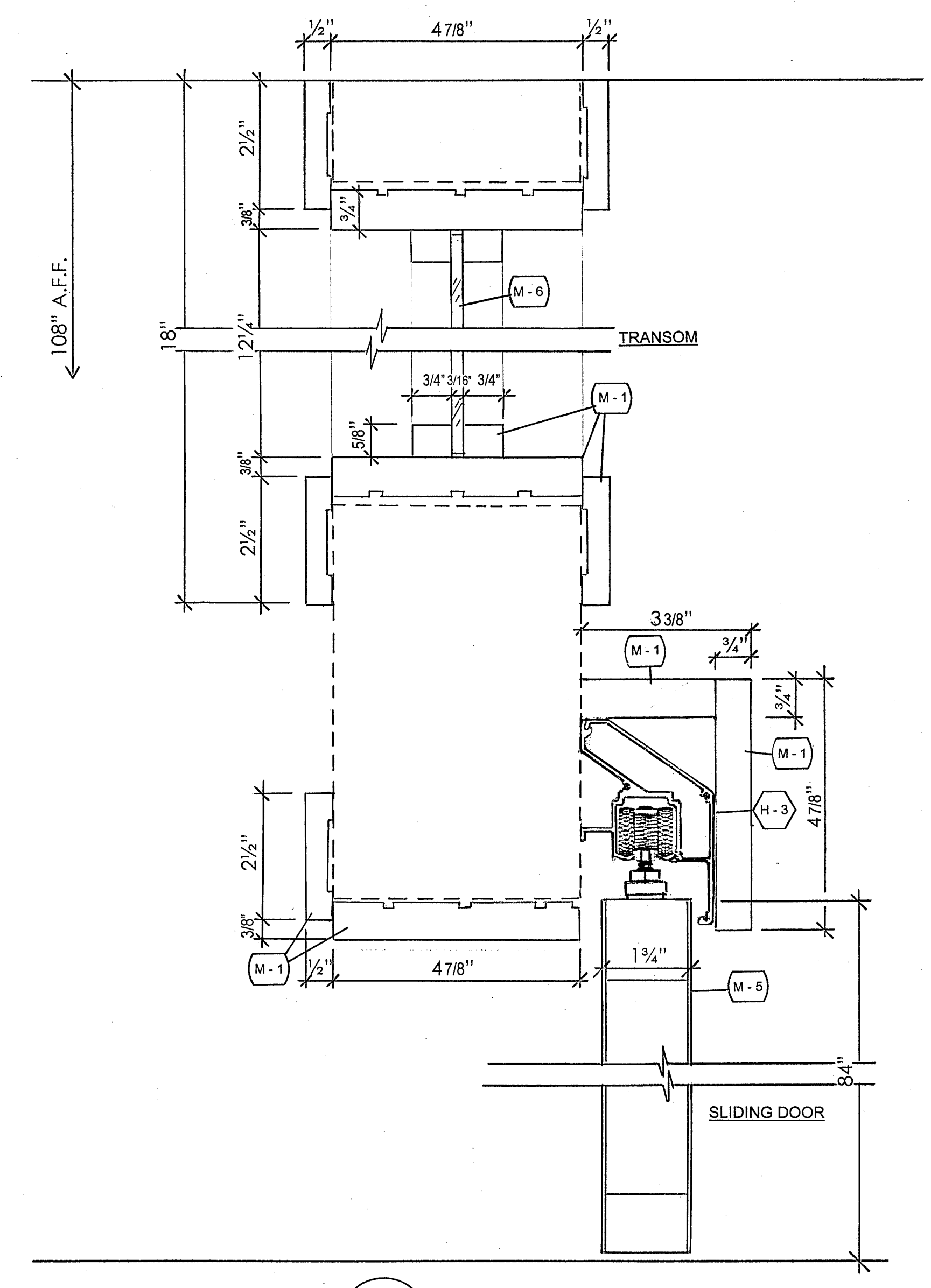
FOR COUNTERTOPS LISTED BELOW:
 • COUNTERTOP @ PLAN TABLE #1, (SEE PG.#1.0)
 • COUNTERTOP @ PLAN TABLE #2, (SEE PG.#2.0)
 • COUNTERTOP @ CREDENZA, (SEE PG.#3)
 • WORK COUNTERS @ RECEPTION DESK, (SEE PG.#4)



SECTION L TRANSOM MULLION
 6" = 1' - 0"



SECTION K SLIDING DOOR & FRAME DETAIL
 6" = 1' - 0"



SECTION M SLIDING DOOR & TRANSOM DETAIL
 6" = 1' - 0"

ISSUE DATE: 3/18/11
 REVISION #1 3/28/11
 REVISION #:
 REVISION #:
 REVISION #:
 REVISION #:

PRECISION MILLWORK
 200 JOHN ROBERTS ROAD SOUTH PORTLAND, MAINE 04106
 (207) 761-9997 FAX (207) 761-0474

SCALE: AS SHOWN	APPROVED BY:	JOB# 11-5921	DRAWN BY SM
DATE: 3/18/11			REVISED

CONSIGLI OFFICES
 Portland, ME

DOORS / CLEAR STORY TRANSOMS	DRAWING NUMBER 5.0
------------------------------	--------------------