

HOOD INFORMATION - Job#2216390

HOOD NO.	TAG	MODEL	LENGTH	MAX. COOKING TEMP.	TOTAL EXH. CFM	EXHAUST RISE/PLUM RISSER(S)		HOOD CONSTRUCTION	HOOD CONFIG.	
						WIDTH	LENG. DIA.		CFM	S.P.
1	Eventide	54E4	8' 0.00"	600 Deg.	1800	10"	24"	430 SS	ALONE	ALONE
2	Peppercorn	54E4	10' 0.00"	600 Deg.	2750	10"	26"	430 SS	ALONE	ALONE
3	Combi	54E4	4' 0.00"	450 Deg.	600	8"	7"	430 SS	ALONE	ALONE

HOOD INFORMATION

HOOD NO.	TAG	TYPE	QTY.	HEIGHT	LENGTH	EFFICIENCY @ 9 MICRONS	QTY.	TYPE	WIRE GUARD	LOCATION	UTILITY CABINET(S)		FIRE SYSTEM	FIRE PIPING	HOOD SYSTEM-HANGING WEIGHT
											SIZE	MODEL #			
1	Eventide	SS Baffle with handles	5	15"	16'	30%	3	-55 Series E26	NO	Left	DCV-2311	1	Light	NO	566 LBS
2	Peppercorn	SS Baffle with handles	7	15"	16'	30%	3	Screw in Compact	NO			1	1 Fan	NO	579 LBS
3	Combi	SS Baffle with handles	2	16"	16'	30%	2	L95 Series E26	NO	Left				NO	993 LBS

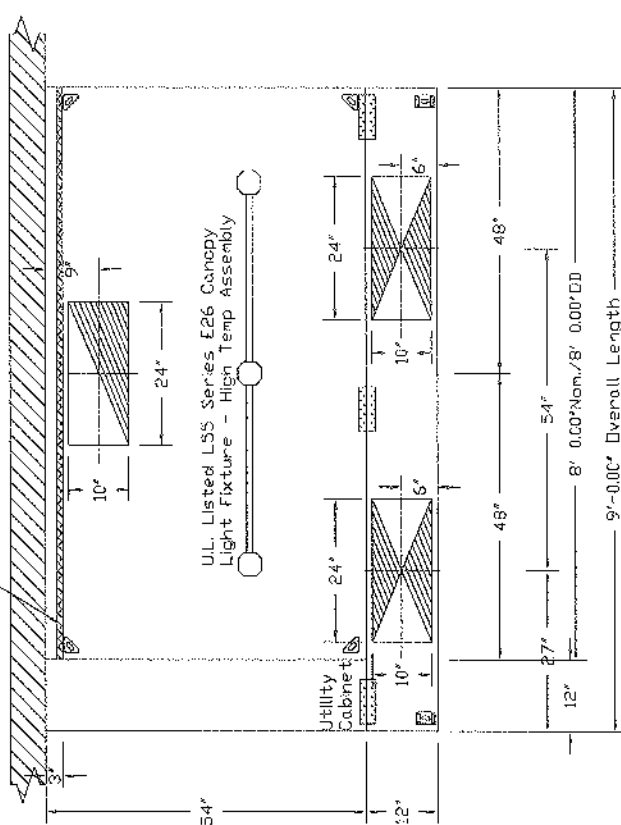
HOOD OPTIONS

HOOD NO.	TAG	OPTION
1	Eventide	FIELD WRAPPER 18.00' High X 108.00' Long 430 SS
1	Eventide	RIGHT SIDESPLASH 80.00' High X 54.00' Long 430 SS
1	Eventide	RIGHT SIDESPLASH - INSIDE CORNER 80.00' High X 2.00' Leg Length 430 SS
1	Eventide	RIGHT QUARTER END PANEL 23' Top Width, 0' Bottom Width, 23' High 430 SS
1	Eventide	LEFT QUARTER END PANEL 23' Top Width, 0' Bottom Width, 23' High 430 SS
1	Eventide	BALANCE DAMPERS
1	Eventide	INSULATION FOR BACK OF HOOD
1	Eventide	FIELD WRAPPER 38.00' High X 183.00' Long 430 SS
1	Eventide	RIGHT SIDESPLASH 80.00' High X 54.00' Long 430 SS
1	Eventide	LEFT SIDESPLASH 80.00' High X 54.00' Long 430 SS
1	Eventide	RIGHT END STANDOFF (FINISHED) 1' Wide 54' Long Insulated
1	Eventide	LEFT END STANDOFF (FINISHED) 1' Wide 54' Long Insulated
1	Eventide	BACKSPLASH - INSIDE CORNER 80.00' High X 2.00' Leg Length 430 SS
1	Eventide	BACKSPLASH - INSIDE CORNER 80.00' High X 2.00' Leg Length 430 SS
1	Eventide	RIGHT QUARTER END PANEL 23' Top Width, 0' Bottom Width, 23' High 430 SS
1	Eventide	LEFT QUARTER END PANEL 23' Top Width, 0' Bottom Width, 23' High 430 SS
1	Eventide	BALANCE DAMPERS
1	Eventide	INSULATION FOR BACK OF HOOD
1	Eventide	FIELD WRAPPER 18.00' High X 108.00' Long 430 SS
1	Eventide	RIGHT SIDESPLASH 80.00' High X 54.00' Long 430 SS
1	Eventide	RIGHT END STANDOFF (FINISHED) 1' Wide 54' Long Insulated
1	Eventide	BACKSPLASH - INSIDE CORNER 80.00' High X 2.00' Leg Length 430 SS
1	Eventide	RIGHT QUARTER END PANEL 23' Top Width, 0' Bottom Width, 23' High 430 SS
1	Eventide	LEFT QUARTER END PANEL 23' Top Width, 0' Bottom Width, 23' High 430 SS
1	Eventide	BALANCE DAMPERS
1	Eventide	INSULATION FOR BACK OF HOOD

PERFORATED SUPPLY PLENUM(S)

HOOD NO.	TAG	POS.	LENGTH	WIDTH	HEIGHT	TYPE	WIDTH	LENG.	DIA.	CFM	S.P.
1	Eventide	Front	108"	12"	6"	MUA	10"	24"	450	0.103'	
2	Peppercorn	Front	122"	14"	6"	MUA	10"	28"	735	0.175'	
3	Combi	Front	61"	9"	6"	MUA	12"	28"	320	0.072'	

1' LAYER OF INSULATION FACTORY INSTALLED IN INTERNAL BACK STANDOFF. MEETS 0 INCH REQUIREMENTS FOR CLEARANCE TO COMBUSTIBLE SURFACES.



PLAN VIEW - Hood #1 (Eventide)
8' 0.00" LONG 5424ND-2-PSP-F

JOB Hugo's (final package) ri	
LOCATION	LEVISTON, ME.
DATE	12/31/2014
DWG #	1
REV.	
JOB #	2216390
DRAWN BY	BFC-RL
SCALE	3/8" = 1'-0"

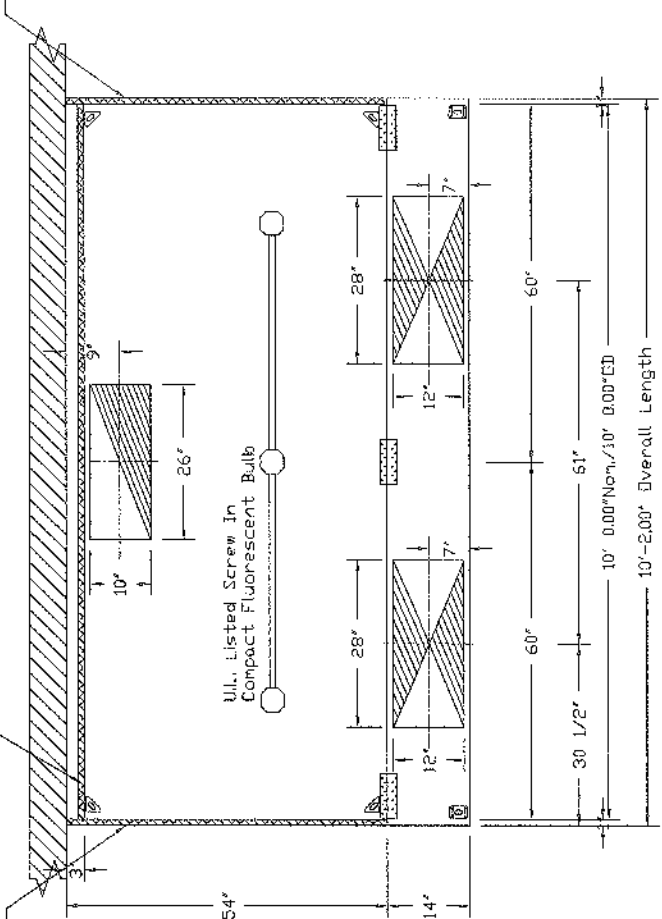


Page 6

1" LAYER OF INSULATION FACTORY INSTALLED IN INTERNAL BACK STANDOFF. MEETS 3" INCH REQUIREMENTS FOR CLEARANCE TO COMBUSTIBLE SURFACES.

1" LAYER OF INSULATION FACTORY INSTALLED IN 1.00" END STANDOFF. MEETS 0" REQUIREMENTS CLEARANCE TO COMBUSTIBLE SURFACES.

1" LAYER OF INSULATION FACTORY INSTALLED IN 1.00" END STANDOFF. MEETS 0" REQUIREMENTS CLEARANCE TO COMBUSTIBLE SURFACES.



PLAN VIEW -- Hood #2 (Peppercorn)
10' 0.00" LONG 5424ND-2-PSP-E

JOB Hugo's (final package) r1	
LOCATION	LEWISTON, ME,
DATE	12/31/2014
DWG #	2
REV.	
JOB #	2216390
DRAWN BY	BFC-21
SCALE	3/8" = 1'-0"

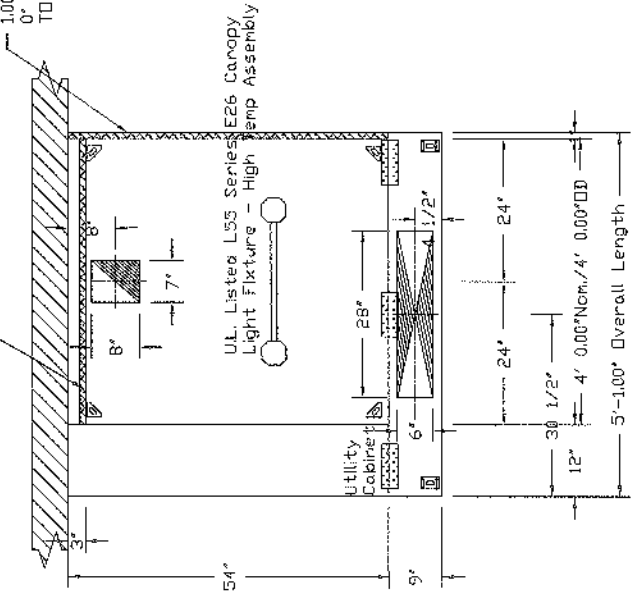
CAPTIVEAIR



page 7

1" LAYER OF INSULATION FACTORY INSTALLED IN INTERNAL BACK STANDOFF MEETS 6" INCH REQUIREMENTS FOR CLEARANCE TO COMBUSTIBLE SURFACES.

1" LAYER OF INSULATION FACTORY INSTALLED IN 100" END STANDOFF MEETS 0" REQUIREMENTS CLEARANCE TO COMBUSTIBLE SURFACES.



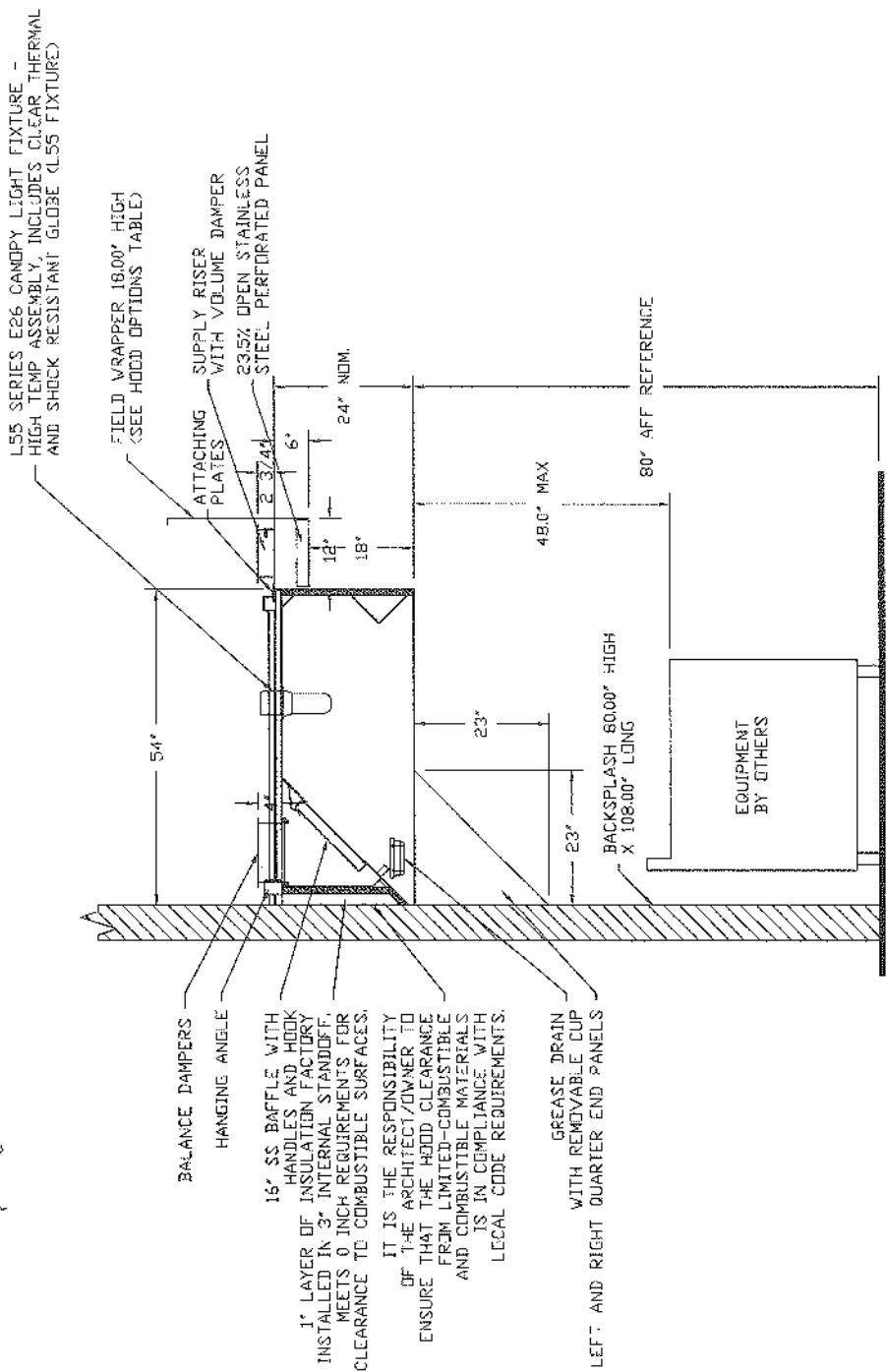
PLAN VIEW - Hood #3 (Combi)
4' 0.00" LONG 5424ND-2-PSP-F

JOB Hugo's (final package) r1	
LOCATION LEWISTON, ME,	
DATE 12/31/2014	JOB # 2216390
DWG # 3	DRAWN BY BFC-21
REV.	SCALE 3/8" = 1'-0"

CAPTIVEAIR



page 8



SECTION VIEW - MODEL 5424ND-2-PSP-F
HOOD - #1 (Eventide)

JOB	Huggo's (final package) r1
LOCATION	LEWISTON, ME.
DATE	12/31/2014
DWG #	4
REV.	
JOB #	2216390
DRAWN BY	BFC-21
SCALE	3/8" = 1'-0"

CAPTIVEAIR



16" SS BAFFLE WITH HANDLES AND HOOK INSTALLED IN 3" INTERNAL STANDOFF. MEETS 0 INCH REQUIREMENTS FOR CLEARANCE TO COMBUSTIBLE SURFACES.

IT IS THE RESPONSIBILITY OF THE ARCHITECT/OWNER TO ENSURE THAT THE HOOD CLEARANCE FROM LIMITED-COMBUSTIBLE AND COMBUSTIBLE MATERIALS IS IN COMPLIANCE WITH LEGAL CODE REQUIREMENTS.

LEFT AND RIGHT QUARTER END PANELS WITH REMOVABLE CUP GREASE DRAIN

BALANCE DAMPERS HANGING ANGLE

L55 SERIES E26 CANOPY LIGHT FIXTURE - HIGH TEMP ASSEMBLY, INCLUDES CLEAR THERMAL AND SHOCK RESISTANT GLOBE (L55 FIXTURE)

FIELD WRAPPER 18.00" HIGH (SEE HOOD OPTIONS TABLE)

SUPPLY RISER WITH VOLUME DAMPER 23.5% OPEN STAINLESS STEEL PERFORATED PANEL

BACKSLASH 80.00" HIGH X 108.00" LONG

EQUIPMENT BY OTHERS

48.0" MAX

80" AFF REFERENCE

24" NOM.

ATTACHING PLATES

54"

18"

12"

6"

23.74"

23"

23"

Page 9

SCREW IN COMPACT FLUORESCENT BULB, L55 SERIES E26 CANDY LIGHT FIXTURE - HIGH TEMP ASSEMBLY, INCLUDES CLEAR THERMAL AND SHOCK RESISTANT GLOBE

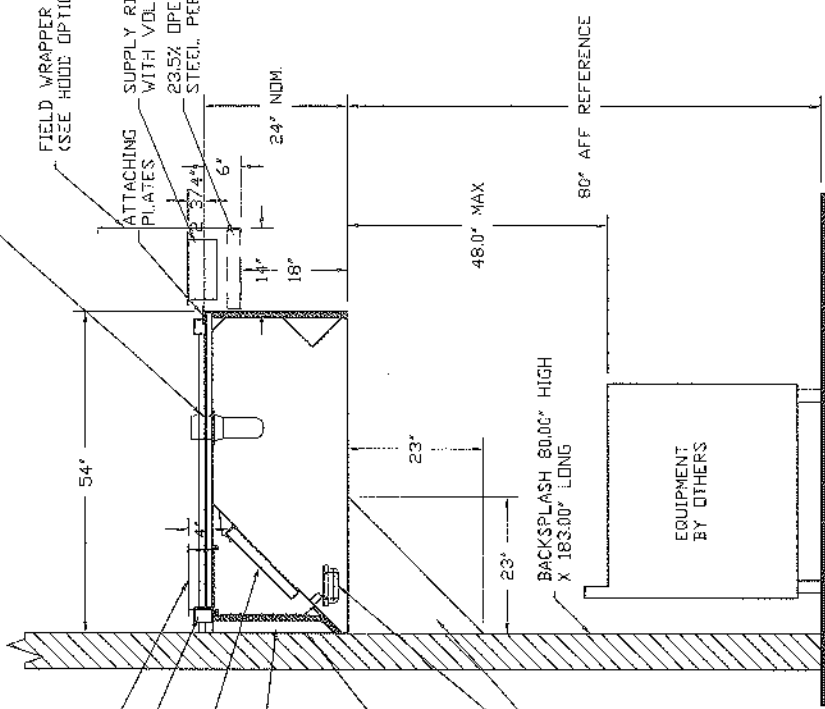
FIELD WRAPPER 18.00" HIGH (SEE HOOD OPTIONS TABLE)

BALANCE DAMPERS
HANGING ANGLE

16" SS BAFFLE WITH HANDLES AND HOOK INSTALLED IN 3" INSULATION FACTORY MEETS 0 INCH REQUIREMENTS FOR CLEARANCE TO COMBUSTIBLE SURFACES.

IT IS THE RESPONSIBILITY OF THE ARCHITECT/DOWNER TO ENSURE THAT THE HOOD CLEARANCE FROM LIMITED-COMBUSTIBLE AND COMBUSTIBLE MATERIALS IS IN COMPLIANCE WITH LOCAL CODE REQUIREMENTS.

GREASE DRAIN WITH REMOVABLE CUP LEFT AND RIGHT QUARTER END PANELS



SECTION VIEW -- MODEL 5424ND-2 -PSP--F
HOOD - #2 (Peppercorn)

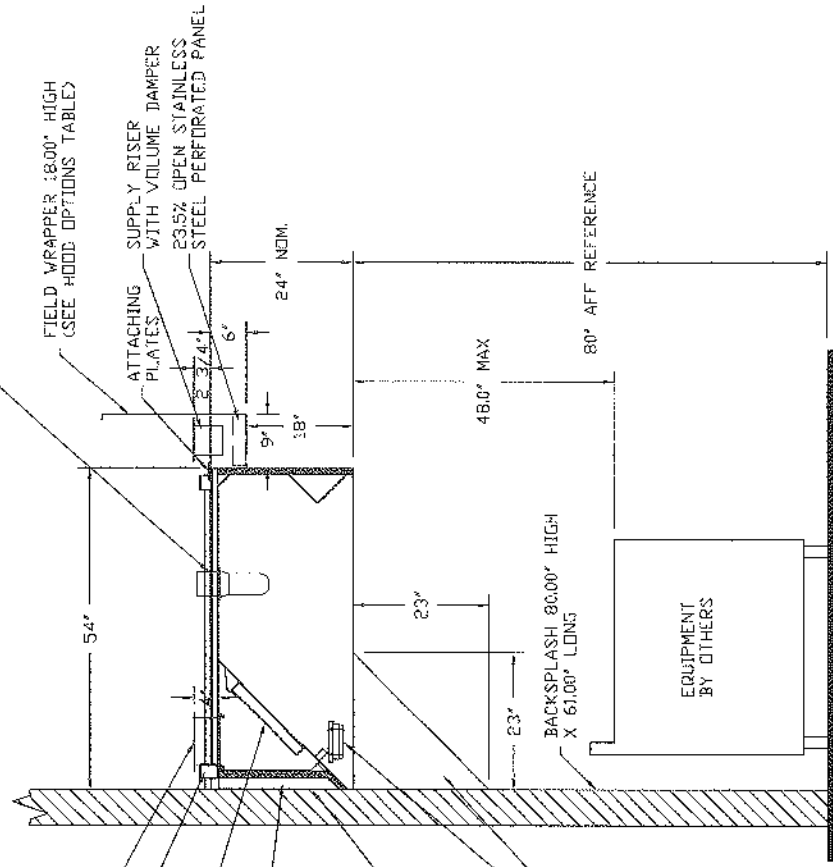
JOB Hugo's (final package) r1	
LOCATION LEWISTON, ME.	
DATE 12/31/2014	JOB # 2216390
DWG # 5	DRAWN BY BFC-21
REV.	SCALE 3/8" = 1'-0"



CAPTIVEAIR

Page 10

LSS SERIES E26 CANOPY LIGHT FIXTURE - HIGH TEMP ASSEMBLY, INCLUDES CLEAR THERMAL AND SHOCK RESISTANT GLOBE (LSS FIXTURE)



BALANCE DAMPERS
HANGING ANGLE
16" SS BAFFLE WITH HANDLES AND HOOK
1" LAYER OF INSULATION FACTORY INSTALLED IN 3" INTERNAL STANDOFF. MEETS 0 INCH REQUIREMENTS FOR CLEARANCE TO COMBUSTIBLE SURFACES.
IT IS THE RESPONSIBILITY OF THE ARCHITECT/OWNER TO ENSURE THAT THE HOOD CLEARANCE FROM LIMITED-COMBUSTIBLE AND COMBUSTIBLE MATERIALS IS IN COMPLIANCE WITH LOCAL CODE REQUIREMENTS.
GREASE DRAIN WITH REMOVABLE CUP
LEFT AND RIGHT QUARTER END PANELS

SECTION VIEW - MODEL 5424ND-2-PSP-F
HOOD - #3 (Combi)

JOB Hugo's (final package) r1	
LOCATION	LEVISTON, ME.
DATE	12/31/2014
DWG #	6
REV.	
JOB #	2216390
DRAWN BY	BFC-21
SCALE	3/8" = 1'-0"






Page 11

EXHAUST FAN INFORMATION - Job#2216390

FAN UNIT NO.	TAG	FAN UNIT MODEL #	CFM	ESP.	RPM	HP.	B.H.P.	Ø	VOLT	FLA	DISCHARGE VELOCITY	WEIGHT (LBS.)	SDNES
1	Hugo's / Eventide	NDA30HPFA	5403	1.500	716	3.000	2.1530	3	208	9.5		419	13.9
3		USD20BD-RM	3350	2.000	1301	3.000	2.1380	3	208	9.5	1441 FPM	500	26

MUA FAN INFORMATION - Job#2216390

FAN UNIT NO.	TAG	FAN UNIT MODEL #	BLOWER	HOUSING	CFM	ESP.	RPM	HP.	B.H.P.	Ø	VOLT	FLA	WEIGHT (LBS.)	SDNES
2		AI-0250-G10	G10	AI-0250	2750	0.650	1390	2.000	1.9090	3	208	6.2	784	28

GAS FIRED MAKE-UP-AIR UNITS

FAN UNIT NO.	TAG	ACTUAL AIR DENSITY?	INPUT RTUs	OUTPUT RTUs	TEMP. RISE	REQUIRED INPUT GAS PRESSURE	GAS TYPE
2		NO	27402	25245D	85 deg F	7 in. w.c. - 14 in. w.c.	Natural

FAN OPTIONS

FAN UNIT NO.	TAG	OPTION (Qty. - Descr.)
1	Hugo's / Eventide	1 - Grease Box
		1 - Hinge Kit (HD) - Ships Loose For Curb Supplied by Others
		1 - 3 Year Extended Motor Warranty
		1 - Extra Set of Belts
		1 - Fan Base Ceramic Seal - For Grease Ducts
2		1 - AC Interlock Relay - 24VAC Coil
		1 - Motorized Backdraft Damper For AI-D Housing
		1 - Full Crating For Commercial Heater
		1 - Low Fire Start
		1 - Inlet Pressure Gauge, 0-35"
		1 - Manifold Pressure Gauge, -5 to 15" wc
		1 - Insulation Option For VBank filter section
		1 - 3 Year Extended Motor Warranty
		1 - Extra Set of Belts
		1 - 0F - Indoor Hanging Option - Includes 2 HSA125 Hanger Spring Isolators per Unit-Strut
		1 - Separate 120V Wiring Package (Required and used only for DCV or Prewire with VFD) - Three Phase Only
3		1 - 20 - Discharge Orientation Vertical Upper Left - CW Inlet Side.
		1 - Full Crating For Exhaust Fans
		1 - Utility Set Grease Cup
		1 - 3 Year Extended Motor Warranty
		1 - Extra Set of Belts
		1 - B120 - 24" Discharge Extension.
		1 - Utility Set - Spring Vibration Isolators - B120 thru B124 / Equivalent Sized Utility Set - Indoor/Outdoor use.

FAN ACCESSORIES

FAN UNIT NO.	TAG	EXHAUST	SUPPLY
1	Hugo's / Eventide	GREASE GRAVITY WALL DAMPER	GRAVITY MOTORIZED DAMPER
2		YES	YES
3		YES	YES

CURB ASSEMBLIES

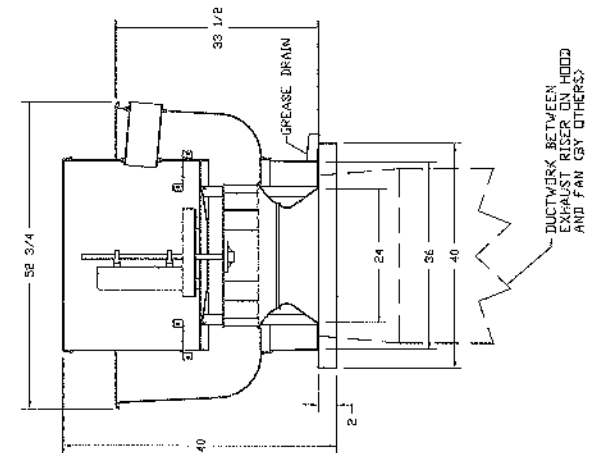
IND. ON FAN	WEIGHT	ITEM	SIZE
1	31 LBS	Exhaust Adapter	From 29.500"sq To 36.500"sq x 9.000" H
3 # 3	50 LBS	Curb	4.000" W x 48.000" L x 20.000" H

JOB Hugo's (Final package) r1
 LOCATION LEWISTEIN, ME,
 DATE 12/31/2014
 JOB # 2216390
 DWG # 7
 DRAWN BY BFC-21
 REV 3/8" = 1'-0"



page 12

FAN #1 NCA20BPFA - EXHAUST FAN (HUGER'S / EVENTIDE)



FEATURES:

- ROOF MOUNTED FANS
- RESTAURANT MODEL
- UL705 AND UL762
- ANCA SOUND AND AIR CERTIFIED
- WIRING FROM MOTOR TO DISCONNECT SWITCH
- WEATHERPROOF DISCONNECT
- HIGH HEAT OPERATION 300°F (149°C)
- GREASE CLASSIFICATION TESTING

ABNORMAL TEMPERATURE TEST
 EXHAUST FAN MUST OPERATE CONTINUOUSLY WHILE EXHAUSTING AIR AT 300°F (149°C) UNDER ALL OPERATING CONDITIONS. AFTER THERMAL EQUILIBRIUM, AND WITHOUT ANY DEGRADING EFFECTS TO THE FAN WHICH WOULD CAUSE UNSAFE OPERATION.

ABNORMAL FLAME-UP TEST
 EXHAUST FAN MUST OPERATE CONTINUOUSLY WHILE EXHAUSTING BURNING GREASE VAPORS AT 300°F (149°C) UNDER ALL OPERATING CONDITIONS FOR 15 MINUTES WITHOUT THE FAN BECOMING DAMAGED TO ANY EXTENT THAT COULD CAUSE AN UNSAFE CONDITION.

OPTIONS:

- GREASE BOX
- HINGE KIT (HD) - SHIPS LOOSE FOR CURB SUPPLIED BY OTHERS
- 3 YEAR EXTENDED MOTOR WARRANTY
- EXTRA SET OF BELTS
- FAN BASE CERAMIC SEAL - FOR GREASE DUCTS



JOB Hugo's (final package) r1	
LOCATION	LEWISTON, ME.
DATE	12/31/2014
DWG #	8
JOB #	2216390
DRAWN BY	BFC-21
REV.	SCALE 3/8" = 1'-0"

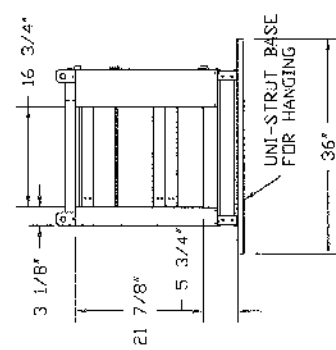
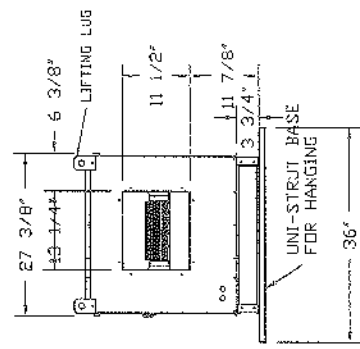
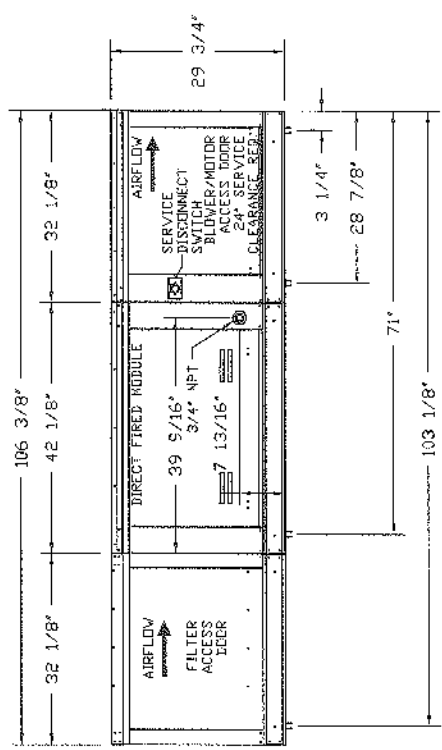
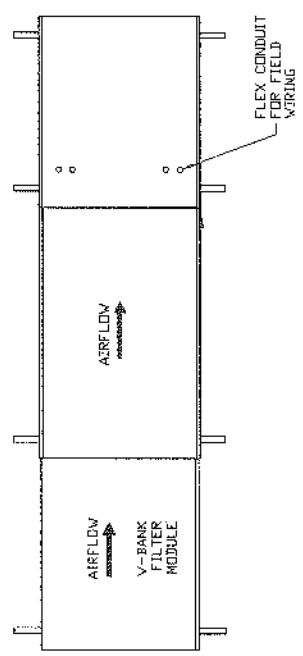
Page 13

FAN #2 A1-D250-G10 - HEATER

1. DIRECT GAS FIRED HEATED MAKE UP AIR UNIT WITH 10" BLOWER
2. V-BANK EZ FILTERS - INDOOR
3. SIDE DISCHARGE - AIR FLOW LEFT -> RIGHT
4. COOLING INTERLOCK RELAY, 24VAC COIL, 120V CONTACTS, LOCKS OUT BURNER CIRCUIT WHEN AC IS ENERGIZED.
5. MODORIZED BACK DRAFT DAMPER 16" X 18" FOR SIZE 1 STANDARD & MODULAR DIRECT FIRED HEATERS W/EXTENDED SHAFT, STANDARD GALVANIZED CONSTRUCTION, 3/4" REAR FLANGE, LF120S ACTUATOR INCLUDED
6. FULL GRATING FOR COMMERCIAL HEATERS FOR SHIPPING.
7. LOW FIRE START: ALLOWS THE BURNER CIRCUIT TO ENERGIZE WHEN THE MODULATION CONTROL IS IN A LOW FIRE POSITION.
8. GAS PRESSURE GAUGE, 0-35", 2.5" DIAMETER, 1/4" THREAD SIZE
9. GAS PRESSURE GAUGE, -5 TO +15 INCHES W.C., 2.5" DIAMETER, 1/4" THREAD SIZE
10. "INSULATION" FOR V-BANK INTAKE OPTION.
11. 3 YEAR EXTENDED WARRANTY FOR FAN MOTOR. PARTS ONLY; DOES NOT INCLUDE LABOR.
12. EXTRA SET OF V-BELTS. ONLY TO BE ORDERED AS FAN OPTION AT TIME FAN IS ORDERED.
13. INDOOR HANGING CRADLE FOR THE SIZE 1 DIRECT FIRED UNIT. 2 HSA12S HANGING ISOLATORS PER UNI-STRUT INCLUDED.
14. SEPARATE 120VAC WIRING PACKAGE FOR MAKE-UP AIR UNITS. OPTION MUST BE SELECTED WHEN MOUNTING VFD IN PREWIRED PANEL OR WITH DEV PACKAGE. PROVIDES SEPARATE 120VAC INPUT TO SUPPLY FAN. THIS 120V SIGNAL MUST BE RUN BY ELECTRICIAN FROM 3CV TO MUA SWITCH.
15. MOUNT MOTOR AND CONTROLS ON OPPOSITE SIDE OF HEATER.

SUPPLY SIDE HEATER INFORMATION

WINTER TEMPERATURE = 39°F. TEMP. RISE = 85°F.
 BTUS CALCULATED OFF STANDARD AIR DENSITY
 OUTPUT BTUS AT ALTITUDE OF 0.0 F.T. = 25245G
 INPUT BTUS AT ALTITUDE OF 0.0 F.T. = 27440Z



CAPTIVEAIRE

JOB Hugo's (final package) r1	
LOCATION LEVISTON, ME,	JOB # 2216390
DATE 12/31/2014	DRAWN BY BFC-21
DWG # 9	REV. SCALE 3/8" = 1'-0"

Exhaust Fan Wiring

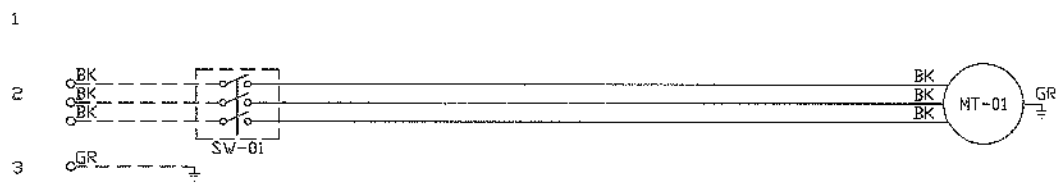
JOB 2216390 - Hugo's (final package) r1

DRAWING NUMBER EXH2216390-1

SHIP DATE 12/31/2014

MODEL NCA30HPFA

Installed Options



Component Identification		
Label	Description	Location
MT-01	Fan Motor	[20]
SW-01	Main disconnect switch	[20]

MOTOR INFO
EXHAUST 3HP-208V-3P-9.5FLA

ELECTRICAL INFORMATION
MOTOR/CTRL MCA: 11.9A
MOTOR/CTRL MCP: 20A

NOTES
----- DENOTES FIELD WIRING
————— DENOTES INTERNAL WIRING

WIRE COLOR
BK - BLACK YW - YELLOW
BL - BLUE GR - GREEN
BR - BROWN GY - GRAY
OR - ORANGE PR - PURPLE
RD - RED PK - PINK
WH - WHITE

page 15

Direct Fired Heater Wiring

JOB 2216390 - Hugo's (final package) r1

DRAWING NUMBER DF2216390-2

SHIP DATE 12/31/2014

MODEL A1-D.250-G10

ATTENTION ELECTRICIAN:
 DROP FOR DISCONNECT CONNECTION WIRE TO YW 0330 YW C 1 NO
 IS FACTORY SUPPLIED IL1A AND IL1B RE-DV-1
 CONNECT POWER TO THE DROP IN DCV RD 0770 RD
 (D3&D7 IN EMSPLUS)

Installed Options

Motorized Back Draft Damper

Discharge Temp. Control

DCV Wiring

24V AC Interlock Relay

Component Identification

Label	Description	Location
CB-01	Circuit breaker (2amp)	130
FR-01	Flame rod	116
FSC-01	Fireeye FSC	111-114
MA-01	Modulating amplifier	196
MT-01	Supply motor	120
MT-02	Damper motor	150
PS-01	Low Airflow Switch	190
PS-02	High Airflow Switch	190
RE-DV	DCV Relay	118/50
RE-10	AC Interlock Relay	110/170
SV-01	Main disconnect switch	120
SV-03	Damper end limit switch	140
TR-01	Power transformer(200V)E31	112
TR-02	Power transformer(20V)1120	112
TR-03	Ignition transformer	146
TR-04	Power transformer(20V)1170	117
TS-02	High temp limit switch	110
TS-03	Intake Air Sensor	110
TS-05	Discharge Air Sensor	121
VA-01	Pilot gas valve	130
VA-02	Main gas valve	110
VA-03	Modulating gas valve	120

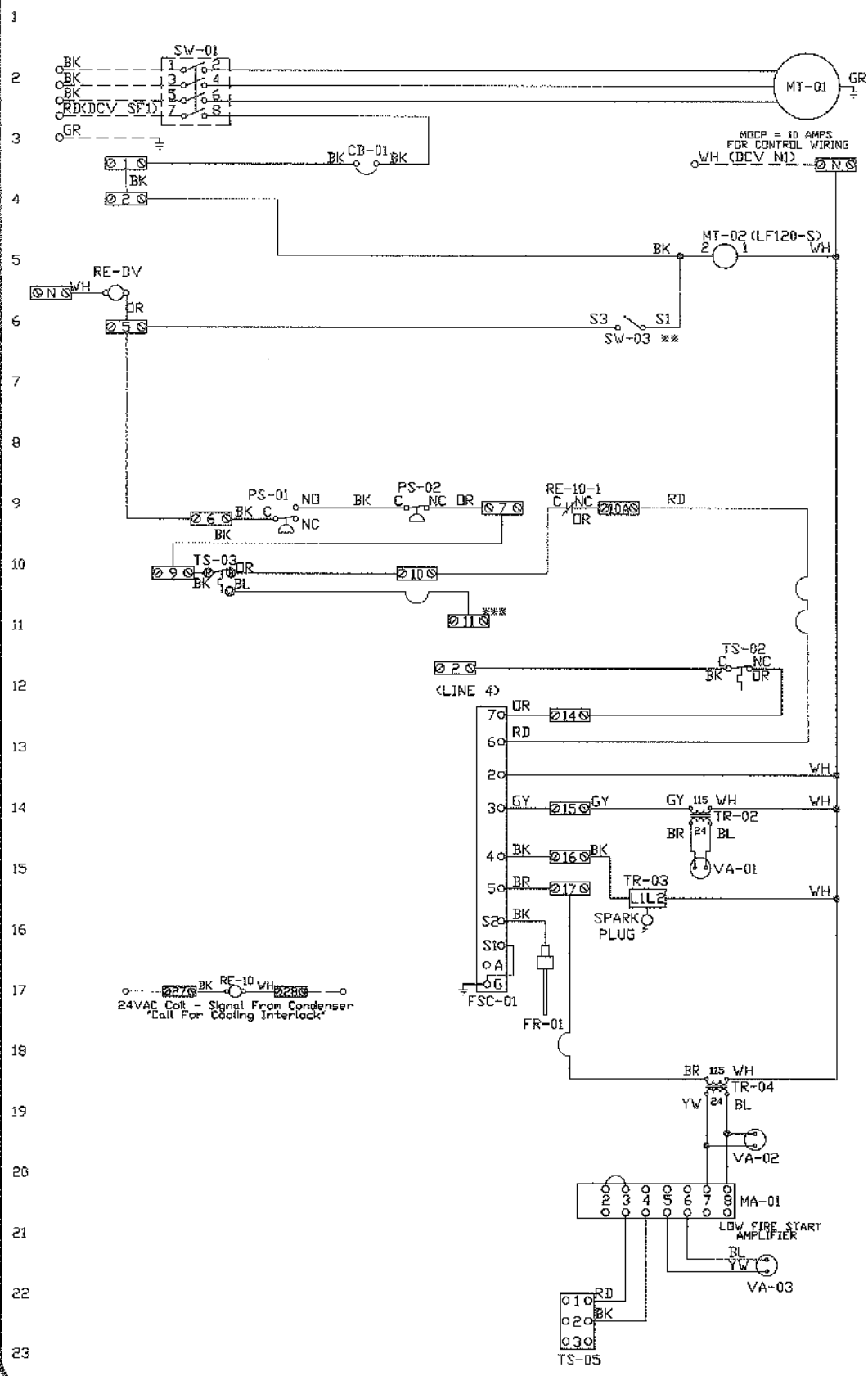
MOTOR INFO
 SUPPLY 2HP-208V-3P-6.2FLA

ELECTRICAL INFORMATION
 MOTOR CIRCUIT MCA: 7.8A
 CONTROL CIRCUIT MCA: 2.0A
 MOTOR CIRCUIT MDP: 15A
 CONTROL CIRCUIT MDP: 15A

NOTES
 - - - DENOTES FIELD WIRING
 ——— DENOTES INTERNAL WIRING

*** TERMINALS S4 AND S6 USED ON NF & AF SERIES ACTUATORS
 ***** TERMINAL 11 PROVIDES COOLING CONNECTION

WIRE COLOR	SECRET STYLE
BK-BLACK	NO 4 3
BL-BLUE	NC 2 1
BR - BROWN	COU 8 7
BR - BROWN	COU 6 5
GY - GRAY	
RD - RED	
GR - GREEN	
WH - WHITE	
PK - PINK	



24VAC Coil - Signal From Condenser Call For Cooling Interlock

Parker

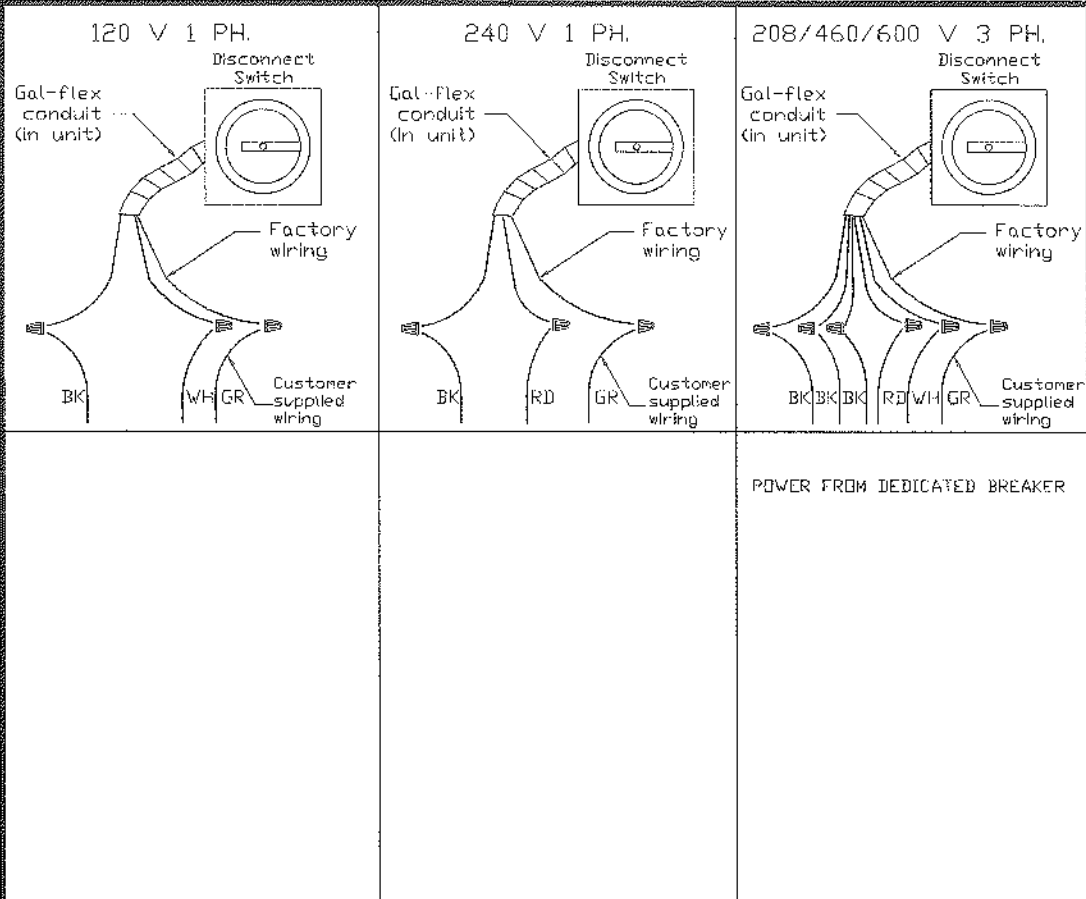
Installation Wiring

JOB 2216390 - Hugo's (final package) r1

DRAWING NUMBER RP2216390-2

SHIP DATE 12/31/2014

MODEL A1-D.250-G10



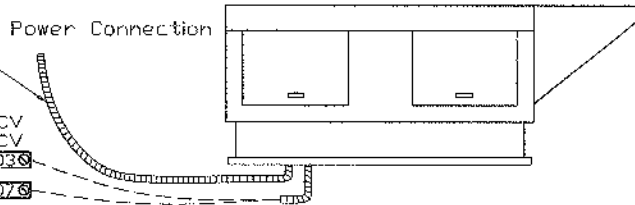
Installed Options

DCV Connections

Component Identification		
Label	Description	Location

See above details.

D3 IN HEATER TO IL1A IN DCV
D7 IN HEATER TO IL1B IN DCV
WIRE TO DCV



NOTES

WIRE COLOR

BK - BLACK	YW - YELLOW
BL - BLUE	GR - GREEN
BR - BROWN	GY - GRAY
OR - ORANGE	PR - PURPLE
RD - RED	PK - PINK
WH - WHITE	

2022-17

Exhaust Fan Wiring

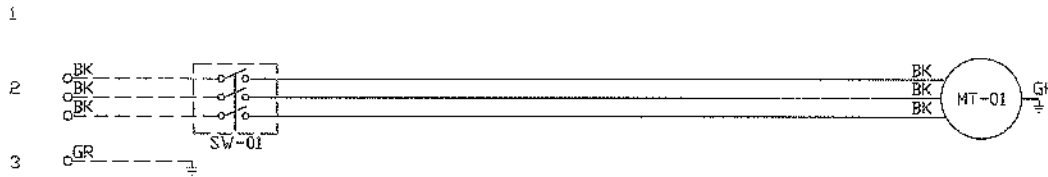
JOB 2216390 - Hugo's (final package) r1

DRAWING NUMBER EXH2216390-3

SHIP DATE 12/31/2014

MODEL USB120BD-RM

Installed Options



Component Identification		
Label	Description	Location
MT-01	Fan Motor	[20]
SW-01	Main disconnect switch	[20]

MOTOR INFO
EXHAUST 3HP-208V-3P-9.5FLA

ELECTRICAL INFORMATION
MOTOR/CTRL MCA: 11.9A
MOTOR/CTRL MDP: 20A

NOTES
- - - - DENOTES FIELD WIRING
———— DENOTES INTERNAL WIRING

WIRE COLOR
BK - BLACK YW - YELLOW
BL - BLUE GR - GREEN
BR - BROWN GY - GRAY
OR - ORANGE PR - PURPLE
RD - RED PK - PINK
WH - WHITE

1
2
3
4
5
6
7
8
9
10
11
12
13
14
15
16
17
18
19
20
21
22
23

Page 19

ELECTRICAL PACKAGES - Job#2216390

NO.	TAG	PACKAGE #	LOCATION	SWITCHES		OPTION	FANS CONTROLLED				
				LOCATION	QUANTITY		TYPE	#	HP.	VOLT	FLA
1		BCV-2111	Utility Cabinet Left	Utility Cabinet Left	1 Light	Smart Controls DDCV	Exhaust	3	13,000	208	9.5
				Hood # 1	1 Fan		Supply	3	12,000	208	6.2
							Exhaust	3	13,000	208	9.5



JOB Hugo's (final package) r1	
LOCATION	LEWISTON, ME.
DATE	12/31/2014
DWG #	15
REV.	
JOB #	2216390
DRAWN BY	BFC-21
SCALE	3/8" = 1'-0"

