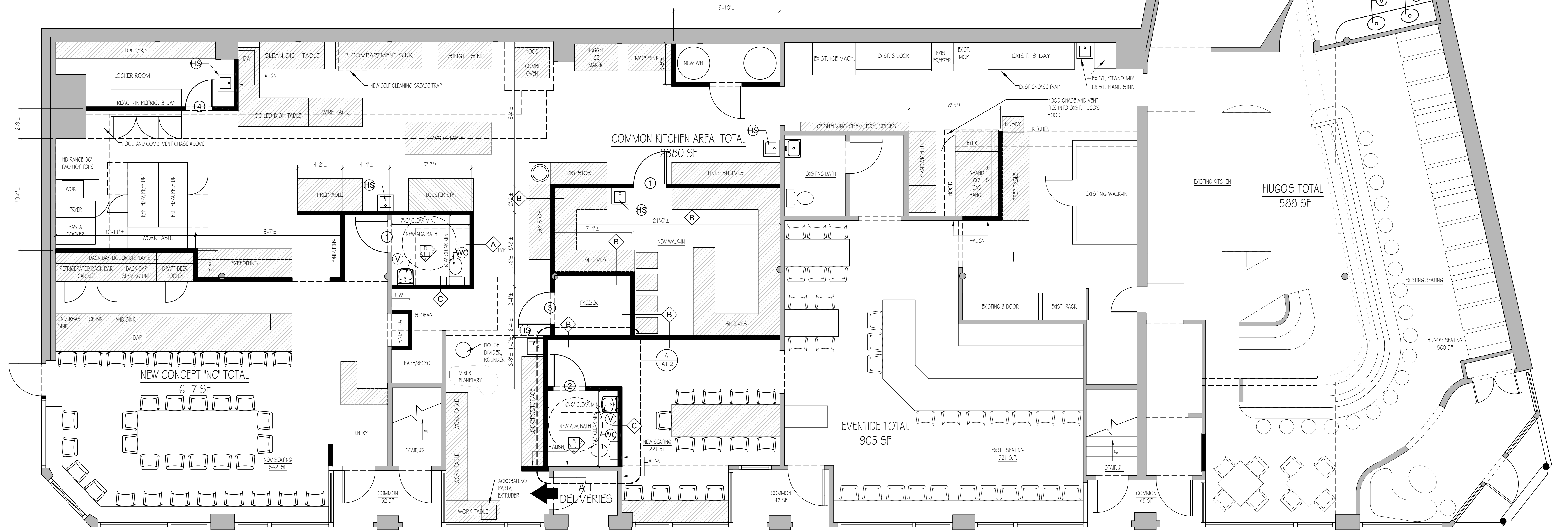


- A** 2X4 STUDS @ 16" O.C. W/ 5/8" GWB EACH SIDE
TYP. U.N.O.
- B** 2X4 STUDS @ 16" O.C. W/ PVC PANELS
- C** 2X6 STUDS @ 16" O.C. 5/8" GWB EACH SIDE
- EXISTING WALLS
- NEW WALLS



1 PROPOSED PLAN
Scale: 1/4" = 1'-0"

DOOR SCHEDULE		
SYM	WIDTH	HEIGHT
○	3'-0"	7'-0"
○	3'-0"	7'-0"
○	3'-0"	7'-0"
○	2'-6"	7'-0"

N/C PLUMBING FIXTURE SCHEDULE		
SYMBOL	QTY	DESCRIPTION
V	1	ADA LAVATORY SINK
WC	1	ADA WATER CLOSET

SERVING 35 OCC. + 10 STAFF = 45 (23M+22F)

HUGO'S PLUMBING FIXTURE SCHEDULE EXISTING		
SYMBOL	QTY	DESCRIPTION
V	2	ADA LAVATORY SINK
WC	2	ADA WATER CLOSET

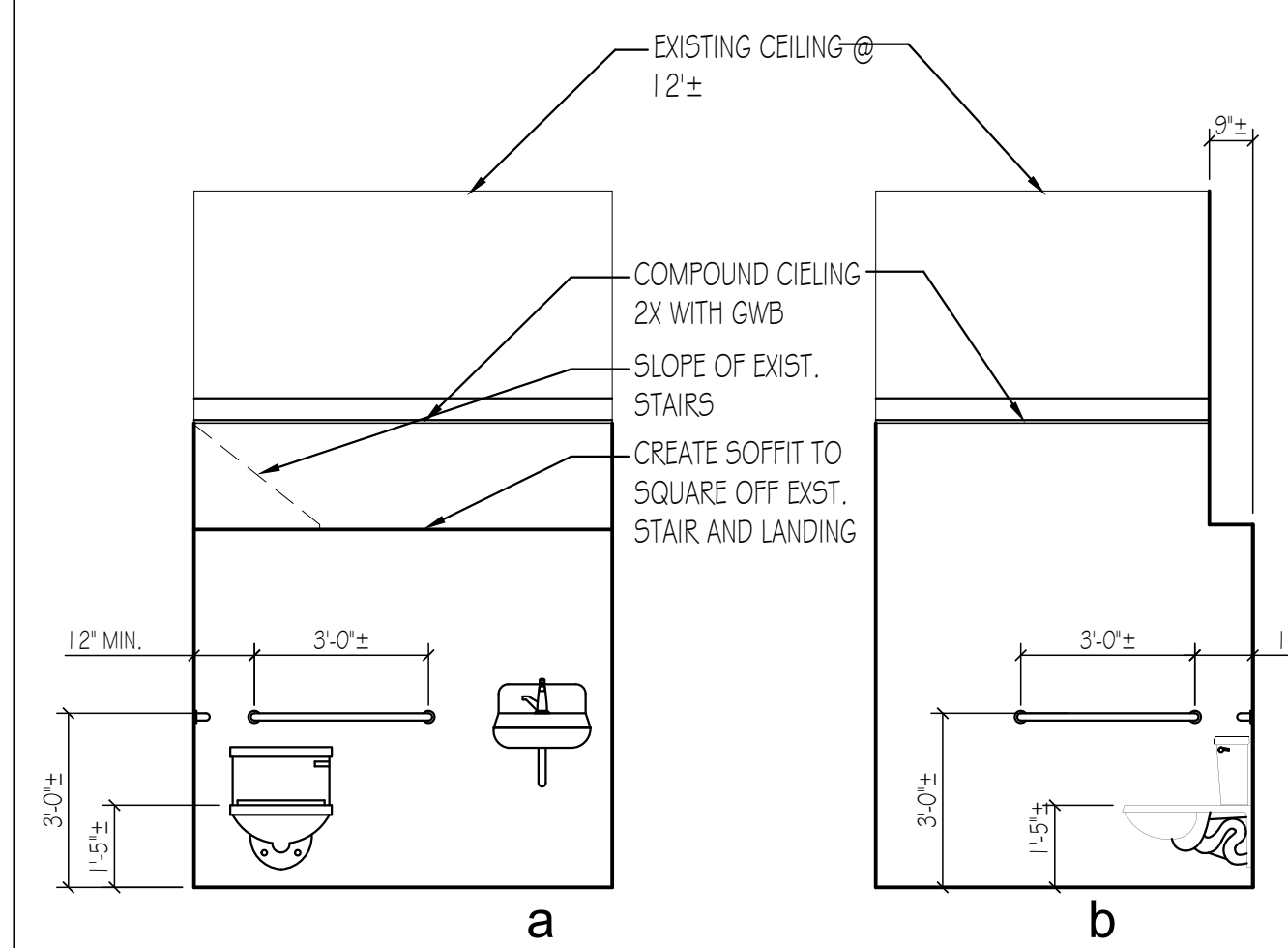
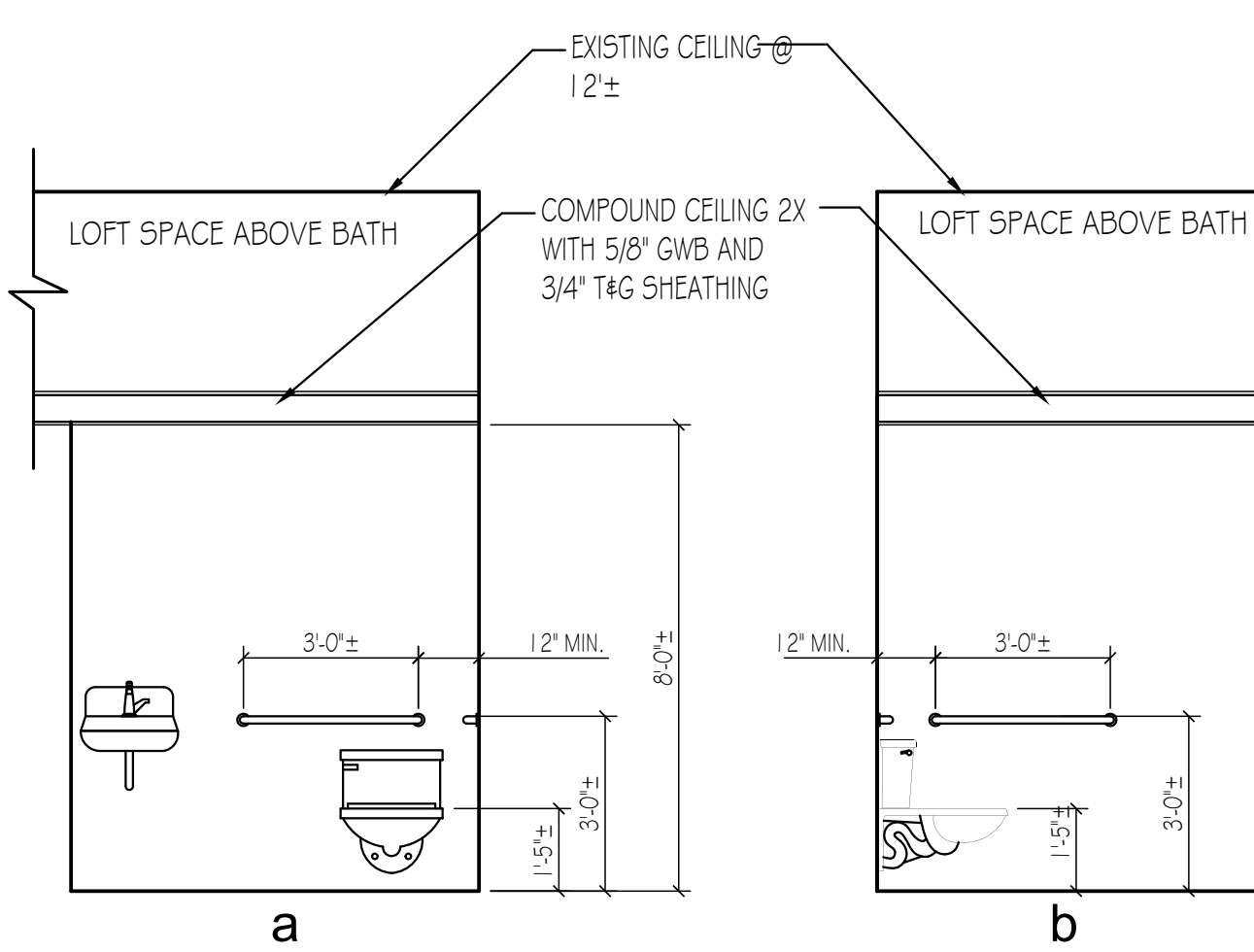
SERVING 38 OCC. + 10 STAFF = 48 (24M+24F)

EVENTIDE PLUMBING FIXTURE SCHEDULE		
SYMBOL	QTY	DESCRIPTION
V	1	ADA LAVATORY SINK
WC	1	ADA WATER CLOSET

SERVING 49 OCC. + 10 STAFF = 59 (30M+29F)

STAFF PLUMBING FIXTURE SCHEDULE		
SYMBOL	QTY	DESCRIPTION
HS	5	HAND SINK

- GENERAL FLOOR PLAN NOTES
- All dimensions are to face of FRAMING unless noted otherwise.
 - Existing doors in exterior walls to remain, typical. Interior and exterior doors shown in plan without door tags are existing doors to remain.
 - Provide blocking in all bathrooms for bath accessories and grab bars.
 - Provide blocking in walls for cabinets, shelves, mirrors, etc.
 - Existing windows in exterior walls to remain, unless damaged. Any required replacement windows will utilize existing rough opening. Windows shown in plan and elevation without window tags are existing windows to remain.
 - Contractor shall furnish and install doors, and hardware per Door Schedule. All tenant doors and frames shall be installed in full accordance with the manufacturer's written specifications and installation instructions. Door handles shall be ADA compliant levers to match existing building standard.
 - In all new toilet rooms provide paper towel dispenser, toilet paper dispenser, mirror, and soap dispenser. Mounting heights in accessible restrooms shall be in accordance with ADA.
 - Contractor shall furnish and install new partitions as shown.



PERMIT SET

A NEW ADA BATH INTERIOR ELEV. IN EVENTIDE

B NEW ADA BATH INTERIOR ELEV. IN "NC"

	RESIDENTIAL DESIGN STUDIO, LLC Carol A. Morrissette 174 Danforth Street Portland, Maine 04102 T 207.699.4154 C 207.671.7965	80-90 Middle Street - AMA Portland, Maine 03204E CBL 2014-1	Project Title Pre-Application Project Number 13.70 Drawn by M.L.S. Date July 30, 2014 Sheet No. A-1.1
	PROPOSED PLAN		Sheet Size 1/4" = 1'-0" Date Plotted 07/30/2014 10:58:00 AM