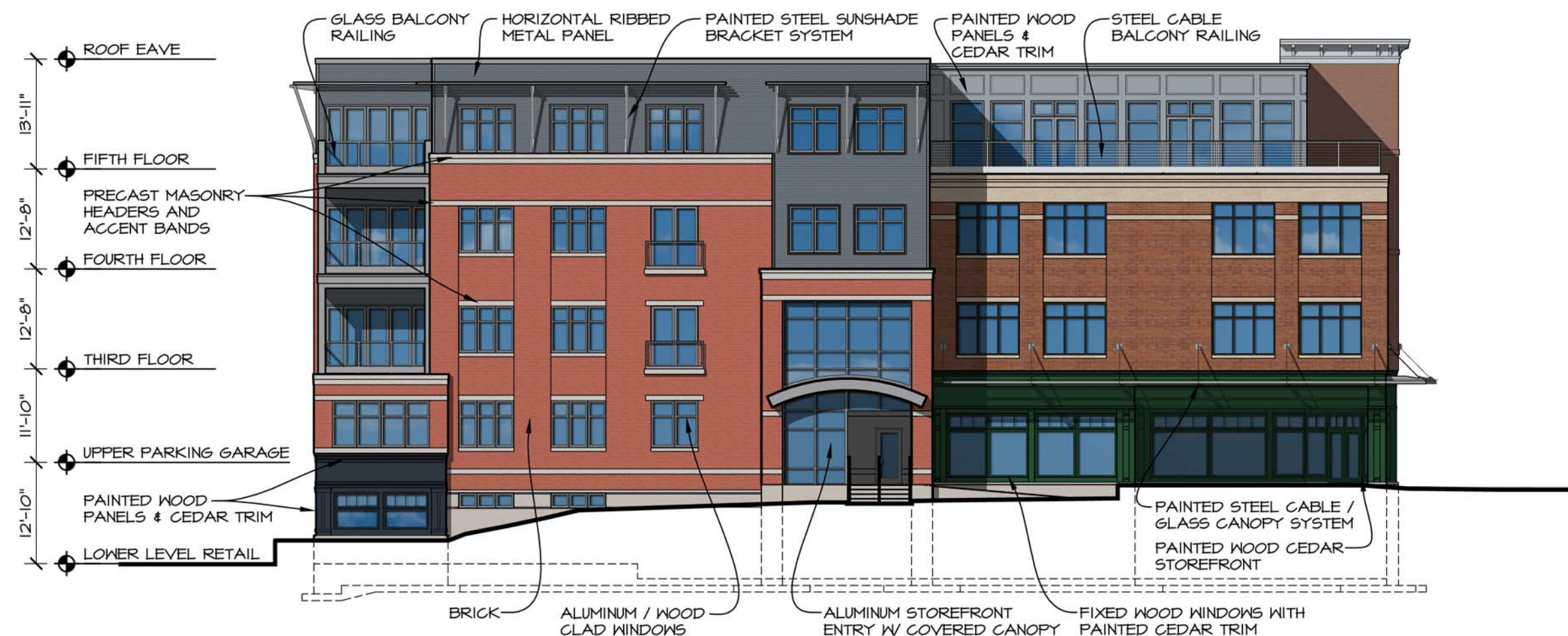




1 FORE STREET BUILDING ELEVATION
 A6 1/16" = 1'-0"



2 INDIA STREET BUILDING ELEVATION
 A6 1/16" = 1'-0"

DATE	REVISION	SCHEDULE

LOPECHED
 CONSTRUCTION CORPORATION
 11 CORPORATE DRIVE, BELMONT, NH 03220
 PHONE (603) 271-9998 FAX (603) 271-9191

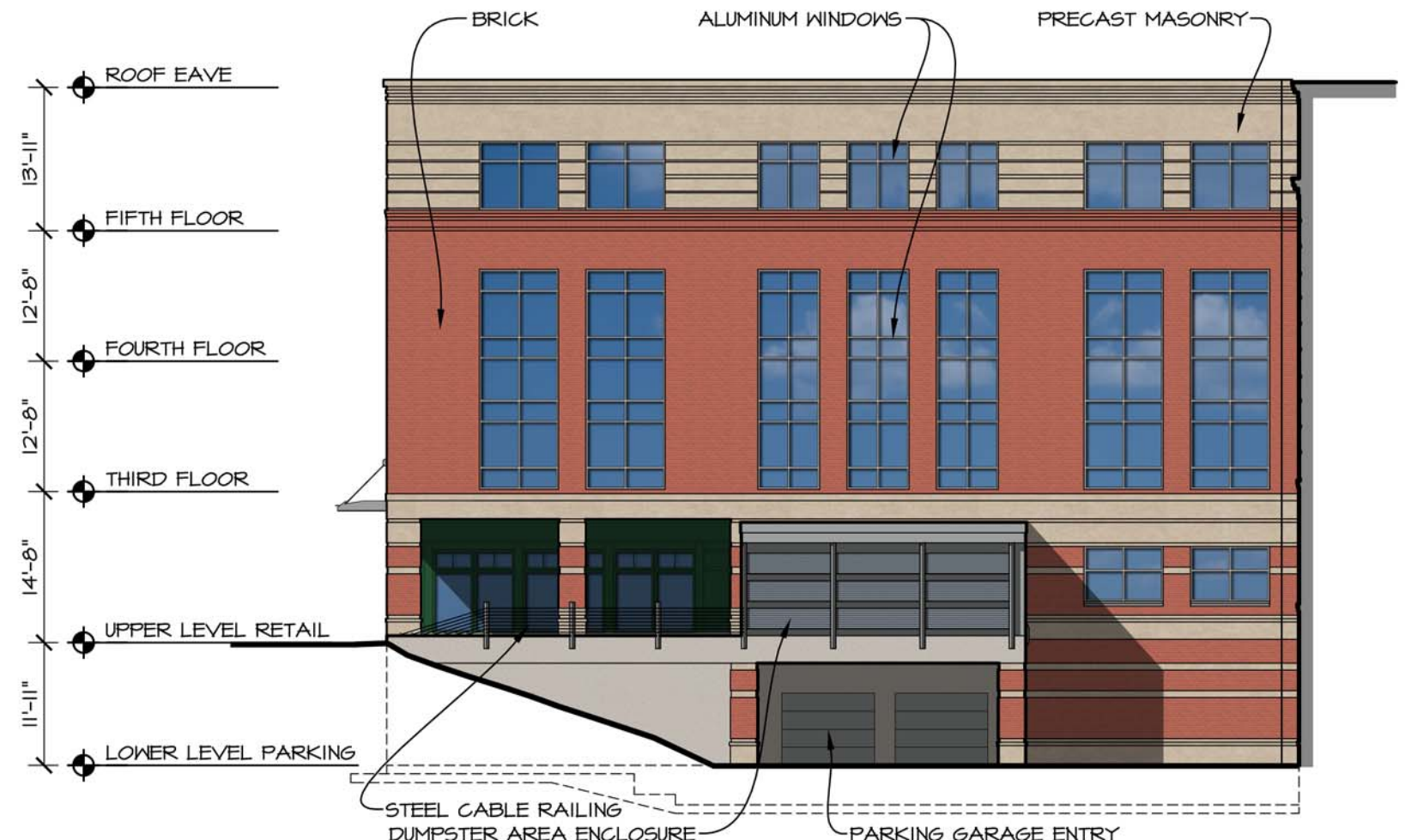
EXTERIOR BUILDING ELEVATIONS

JORDAN'S PHASE II MIXED USE
 PORTLAND, ME

DATE: 09/06/12
 SCALE: SEE PLAN
 DRAWN BY: JLD
A6
 SHEET



1 MIDDLE STREET BUILDING ELEVATION
A7 1/16" = 1'-0"



2 MID-BLOCK BUILDING ELEVATION
A7 1/16" = 1'-0"

REVISION	SCHEDULE	DATE	BY

LOPECHED
CONSTRUCTION CORPORATION
11 CORPORATE DRIVE, BELMONT, NH 03220
PHONE (603) 271-9998 FAX (603) 271-9191

EXTERIOR BUILDING ELEVATIONS

PROJECT: JORDAN'S PHASE II MIXED USE PORTLAND, ME

DATE: 08/06/12
SCALE: SEE PLAN
DRAWN BY: JLD
SHEET: A7



EXTRUDED FACE BRICK

MANUFACTURER: MORIN BRICK

MODULAR 3 5/8 x 2 1/4 x 7 5/8

STANDARDS: ASTM C-216, TYPE FBS

COLOR: OLD PORT SERIES FULL RANGE



EXTRUDED FACE BRICK

MANUFACTURER: MORIN BRICK

MODULAR 3 5/8 x 2 1/4 x 7 5/8

STANDARDS: ASTM C-216, TYPE FBS

COLOR: OLD PORT SERIES RED RANGE



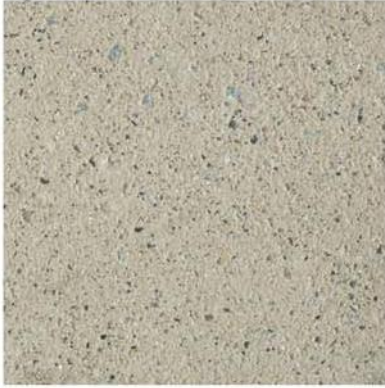
WATERSTRUCK FACE BRICK

MANUFACTURER: MORIN BRICK

MODULAR 3 5/8 x 2 1/4 x 7 5/8

STANDARDS: ASTM C-216, GRADE SW, TYPE FBA

COLOR: BROWNSTONE BLEND



ARCHITECTURAL PRECAST PRODUCT

CEMENT: WHITE & GRAY BC-3 BS-4

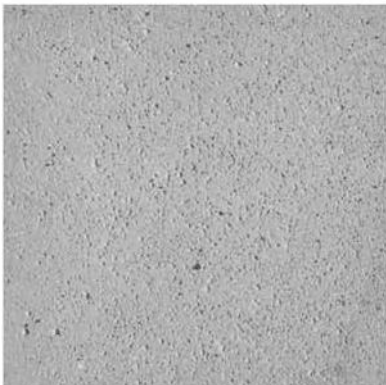
FINISH: LIGHT MEDIUM SANDBLAST



ARCHITECTURAL PRECAST PRODUCT

CEMENT: WHITE & GRAY BC-3

FINISH: LIGHT SANDBLAST



ARCHITECTURAL PRECAST PRODUCT

CEMENT: GRAY FOR-3

FINISH: LIGHT SANDBLAST



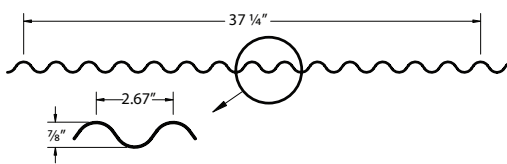
FIBER CEMENT PANEL & TRIM

COLOR: TO MATCH ADJACENT PRECAST



CEDAR TRIM

COLOR: SIMILAR TO COLOR RENDERING



METAL PANEL SIDING

TYPE: BWC374

MATERIAL: ALUMINUM

COLOR: SIMILAR TO COLOR RENDERING



WOOD CLAD WINDOWS

MANUFACTURER: QUAKER WINDOWS OR EQUAL

TYPE: BRIGHTON SERIES

STANDARDS: ENERGY STAR QUALIFIED

FRAME COLOR: SIMILAR TO COLOR RENDERING

GLASS: CLEAR INSULATED WITH LOW-E



ALUMINUM WINDOWS

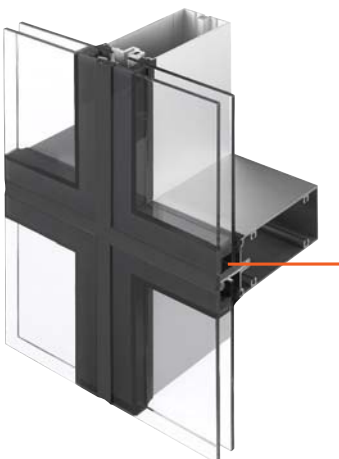
MANUFACTURER: EFCO OR EQUAL

TYPE: SERIES 403

STANDARDS: THERMAL FRAMING SYSTEM

FRAME COLOR: SIMILAR TO COLOR RENDERING

GLASS: CLEAR INSULATED WITH LOW-E COATING



CURTAIN WALL SYSTEM

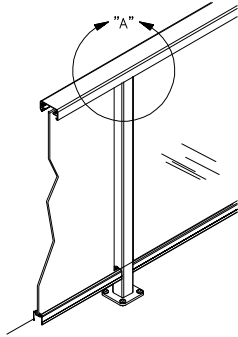
MANUFACTURER: KAWNEER OR EQUAL

TYPE: CLEARWALL

STANDARDS: THERMAL FRAMING SYSTEM

FRAME COLOR: N.A.

GLASS: LIGHT BLUE TINT INSULATED WITH LOW-E

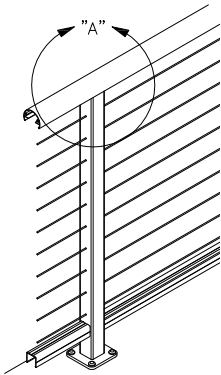


GLASS RAILING

**MANUFACTURER: HANSEN
ARCHITECTURAL SYSTEMS OR EQUAL**

TYPE: SERIES 300X

COLOR: SIMILAR TO COLOR RENDERING



CABLE RAILING

**MANUFACTURER: HANSEN
ARCHITECTURAL SYSTEMS OR EQUAL**

TYPE: SERIES 300X

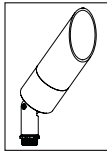
COLOR: SIMILAR TO COLOR RENDERING



Job Name:
Phase II Mixed Use
Redevelopment

DS-LED-E22-NSP-WIR-12-A

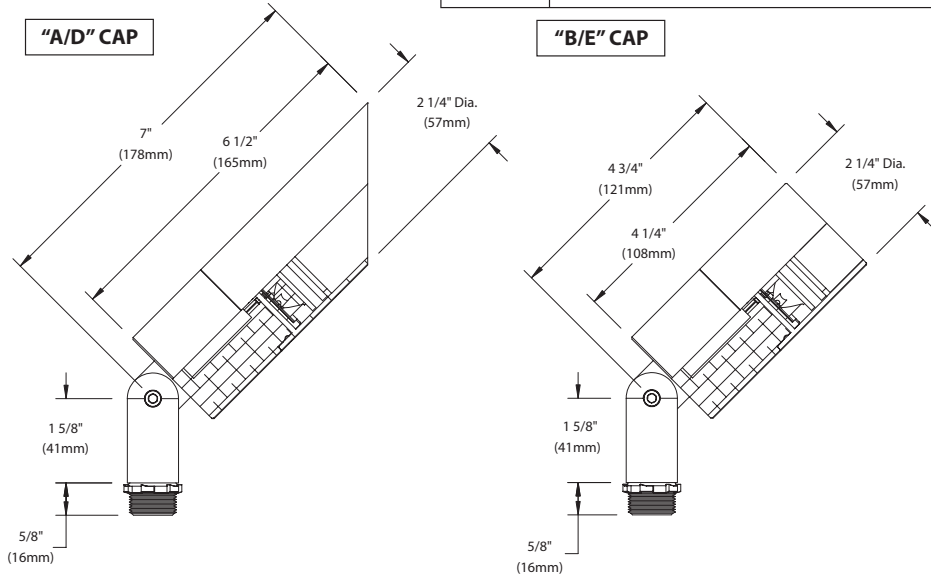
A



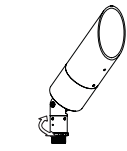
the power of

DELTA STAR™

PROJECT:	
TYPE:	



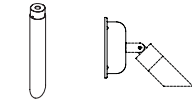
360 SL™



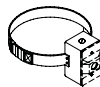
Horizontal Rotation
(Optional 360SL™ Knuckle)

Accessories (Configure separately)

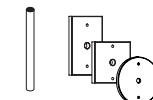
Mounting:



Power Pipe™ Power Canopy™



Tree Strap™

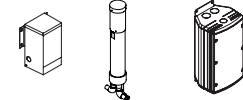


Stems Canopies



UPM™

Remote Transformers:



TR Series Power Pipe™ UPMRM™

SPECIFICATIONS

GreenSource Initiative™

Metal and packaging components are made from recycled materials. Manufactured using renewable solar energy, produced onsite. Returnable to manufacturer at end of life to ensure cradle-to-cradle handling. Packaging contains no chlorofluorocarbons (CFC's). Use of this product may qualify for GreenSource efficacy and recycling rebate(s). Consult www.bklighting.com/greensource for program requirements.

Materials

Furnished in Copper-Free Aluminum (Type 6061-T6), Brass (Type 360) or Stainless Steel (Type 316).

Body

Fully machined from solid billet. Unibody design provides enclosed, water-proof wireway and integral heat sink for maximum component life. Integral knuckle for maximum mechanical strength. High temperature, silicone 'O' Ring provides water-tight seal.

Knuckle

The LOCK™ (Locking 'O' Ring Compression Knuckle) is comprised of two components. The first is integral to the body and features an interior, machined taper. The second is machined from solid billet and features a second, reverse angle taper. The resultant mechanical taper-lock allows a full 180° vertical adjustment without the use of serrated teeth, which inherently limit aiming. High temperature, silicone 'O' Ring provides water-tight seal and compressive resistance to maintain fixture position. Design withstands 73 lb. static load prior to movement to ensure decades of optical alignment. 1/2" pipe thread for mounting.

Optional 360SL™ additionally provides biaxial source control with 360° horizontal rotation in addition to vertical adjustment.

Cap

Fully machined. Accommodates [1] lens or louvre media. Choose from 45° cutoff ('A' or 'D'), or 1" deep bezel with 90° cutoff ('B' or 'E') cap styles. 'A' and 'D' caps include weep-hole for water and debris drainage. 'D' and 'E' caps exclude weep-hole and are for interior use only.

Lens

Shock resistant, tempered, glass lens is factory adhered to fixture cap and provides hermetically sealed optical compartment. Specify soft focus (#12) or rectilinear (#13) lens.

BKSSL™

Integrated solid state system with 'e' technology is scalable for field upgrade. Modular design with electrical quick disconnects permit field maintenance. High power, forward throw source complies with ANSI C78.377 binning requirements. Exceeds ENERGY STAR® lumen maintenance requirements. LM-80 certified components.

Integral non-dimming driver. Minimum 50,000 hour rated life at 70% of initial lumens (L70). BKSSL technology provides long life, significant energy reduction and exceptional thermal management.

Optics

Interchangeable OPTIKIT™ modules permit field changes to optical distribution. Color-coded for easy reference: Narrow Spot (NSP) = Red. Spot (SP) = Green. Medium Flood (MFL) = Yellow. Wide Flood = Blue.

Remote Transformer

For use with 12VAC BKSSL remote transformer.

Wiring

Teflon® coated, 18AWG, 600V, 250° C rated and certified to UL 1659 standard.

Hardware

Tamper-resistant, stainless steel hardware. LOCK™ aiming screw is additionally black oxide treated for additional corrosion resistance.

Finish

StarGuard® (Pat. Pend.), a RoHS compliant, 15 stage chromate-free process cleans and conversion coats aluminum components prior to application of Class 'A' TGIC polyester powder coating. Brass components are available in powder coat or handcrafted metal finish. Stainless steel components are available in handcrafted metal finish. (Brushed finish for interior use only).

Warranty

5 year limited warranty.

Certification and Listing

ITL tested to IESNA LM-79. Lighting Facts Registration per USDOE (www.lightingfacts.com). ETL Listed to ANSI/UL Standard 1838 and UL Standard 8750. Certified to CAN/CSA Standard C22.2 No. 9, CSA TIL B-58B. RoHS compliant. Suitable for indoor or outdoor use. Suitable for use in wet locations. Suitable for installation within 4' of the ground. Made in USA.



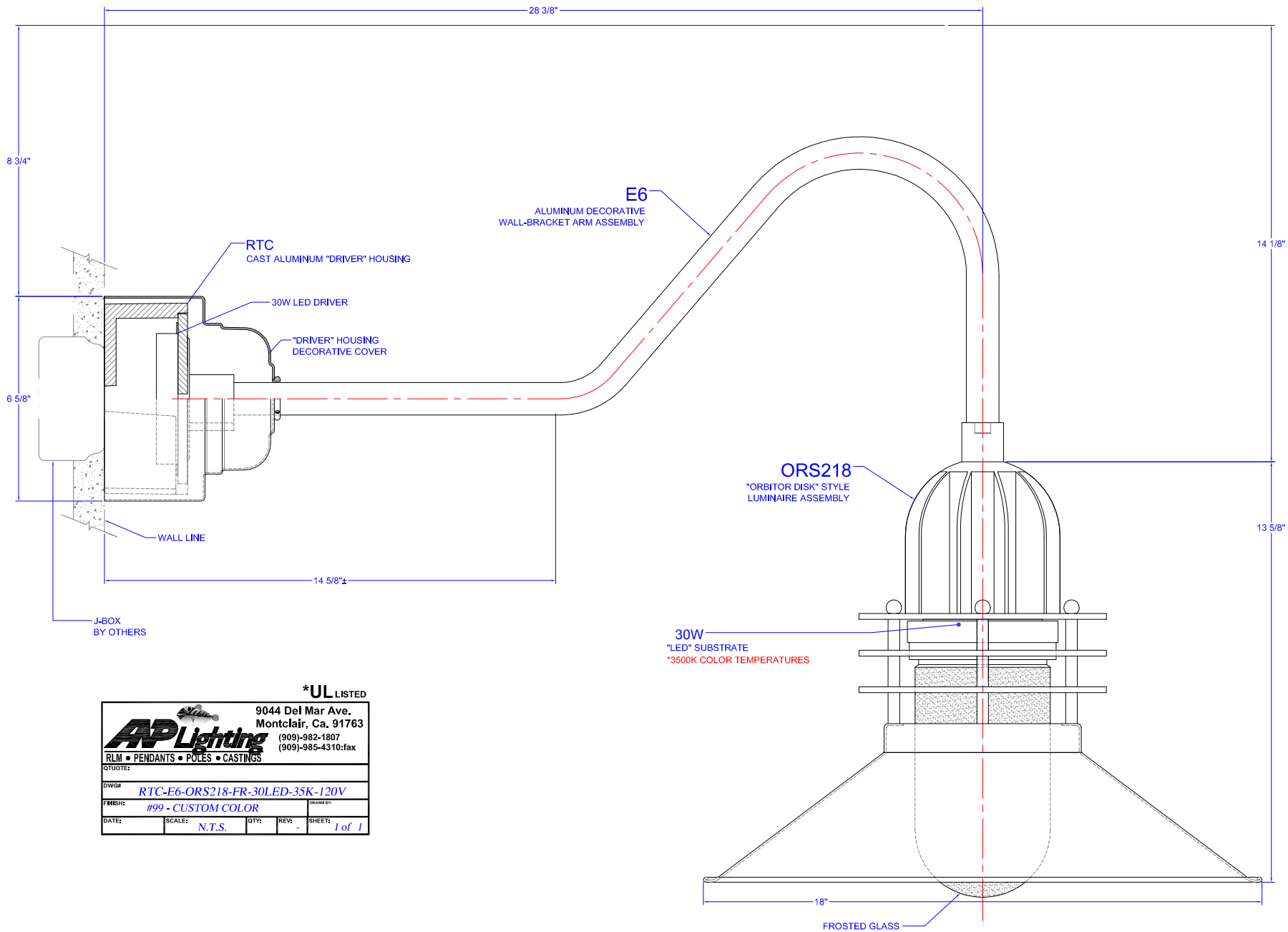
©Teflon is a registered trademark of DuPont Corporation.
©Energy Star is a registered trademark of the United States Environmental Protection Agency.

B-K LIGHTING

40429 Brickyard Drive • Madera, CA 93636 • USA
559.438.5800 • FAX 559.438.5900
www.bklighting.com • info@bklighting.com

SUBMITTAL DATE
11-30-10

DRAWING NUMBER
SUB000930



*UL LISTED

AP Lighting
RLM • PENDANTS • POLES • CASTINGS

9044 Del Mar Ave.
Montclair, Ca. 91763
(909)-982-1807
(909)-985-4310:fax

QUOTE:					
DWG: RTC-E6-ORS218-FR-30LED-35K-120V					
FINISH: #99 - CUSTOM COLOR			DRAWN BY:		
DATE:	SCALE: N.T.S.	QTY:	REV: -	SHEET: 1 of 1	

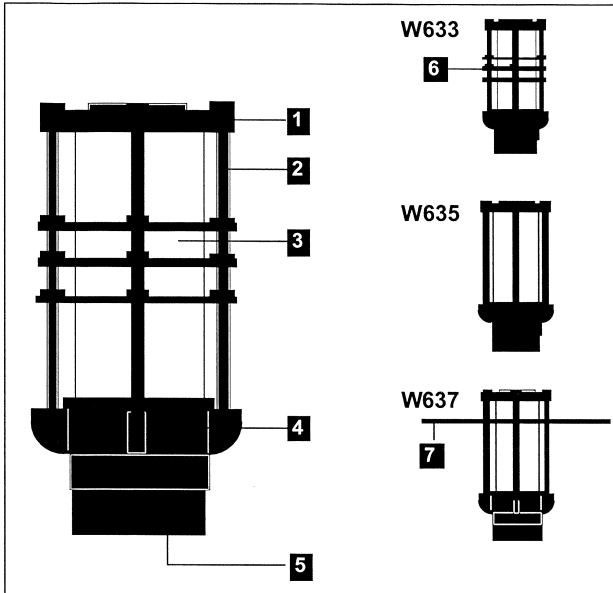


Job Name:
Phase II Mixed Use
Redevelopment

W633-L24E-DGT-LDC-35K

C

LUMINIS **Wall mount** **LED** **ECLIPSE**

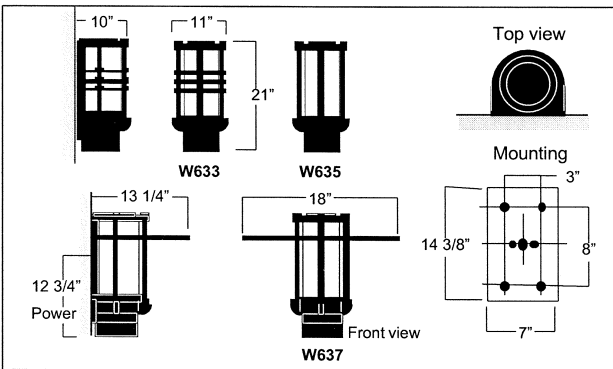


Specification **W633 . W635 . W637**

All exposed cast aluminum components are made of non corrosive pure aluminum copper free (Aluminum is less than .1% copper content.#356 alloy.)
Eclipse is designed to accommodate various lamp sources, and Wattage.
Finish: All polyester powder baked coatings preceded with a 5 baths preparation process. Meets military grade MIL-C781706 with a 2000 hours salt spray test.

- All power supply drivers are 90% min. efficacy.
- One-piece molded silicone gasket with memory retention.
- All stainless steel hardware.
- All Moving and removable parts are sealed with a memory retention silicone gasket.

- 1- Cast aluminum top sealed cover.
- 2- 1/2" dia. solid aluminum struts.
- 3- White translucent U.V. protected high impact acrylic diffuser.
- 4- Cast aluminum driver base housing.
- 5- Removable bottom cover.
- 6- **W633**: Set of 3 cast aluminum blades.
- 7- **W637**: Field adjustable semi oblong aluminum reflector disc.



LED specification

Cast aluminum heat dissipation LED column, engineered to manage heat extraction uniformly, and maximize heat extraction to ensure light stability, durability, and LED performance.

Standard high power LED coupled with an exclusive injection molded wide spread light beam lens, positioned to minimize dark spots. Led's are mounted on separate PC boards, and mechanically secured. Each board can be easily replaced as required.

LM79 Independent photometry testing.
LM80 Certified components.

Certification **Mounting.**

UL. Wet Location.
IP66

Max. weight: 30 lbs. Installation: Mounts over a standard 4" octagonal box with 3 1/2" c/c mounting holes. Additional mounting holes are provided with wall

Model# **LED selection** **Finish** **Options**

Model#	No. Code of LED	Input watts	Voltage	start up Amps	Tot.flux	CCT	Distribution type	Finish	Options
<input type="checkbox"/> W633	<input type="checkbox"/> L24E	24	36	120V 277V	.300 .130	1908 Lms.	4000°K	I	<input type="checkbox"/> LD1: LED Down light <input type="checkbox"/> LD2: LED Up light <input type="checkbox"/> LDC: Up/down light combination. <input type="checkbox"/> OS: 18" dia. alum. oblong disc. <input type="checkbox"/> FS: Fuse <input type="checkbox"/> PH1: 120/277V photo cell <input type="checkbox"/> PH2: 347V photo cell <input type="checkbox"/> K5: 5000°K CCT <input type="checkbox"/> K6: 6000°K CCT <input type="checkbox"/> KA: Amber color LED <input type="checkbox"/> KR: Red color LED
<input type="checkbox"/> W635	<input type="checkbox"/> L28E	28	42	120V 277V	.350 .150	2226 Lms.	4000°K	I	<input type="checkbox"/> WHT: Snow white <input type="checkbox"/> BKT: Jet black <input type="checkbox"/> BZT: Bronze <input type="checkbox"/> GRT: Titanium gray <input type="checkbox"/> DGT: Gun metal <input type="checkbox"/> CHT: Champagne <input type="checkbox"/> MST: Matte silver <input type="checkbox"/> GNT: Forest green <input type="checkbox"/> CS: Custom color <input type="checkbox"/> RAL: RAL# color
<input type="checkbox"/> W637	<input type="checkbox"/> L32E	32	48	120V 277V	.400 .173	2548 Lms.	4000°K	I	(Refer to color chart) Standard selection Optional colors

Note:
Standard smart power supply driver 120/277V.
For 347V Please consult factory

Note: Luminaire performance will vary with a 5K or 6K LED

Luminaires may be altered for design improvements or discontinued without prior notice.



Job Name:
Phase II Mixed Use
Redevelopment

QT250-120-DGT-K35

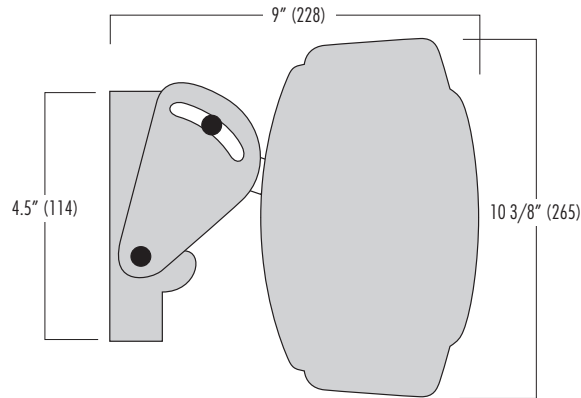
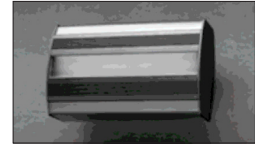
D

LUMINIS

Type: _____ Project: _____
Catalog number: _____ / _____ / _____ / _____ / _____
Fixture Wattage Voltage Finish Option

QUANTA

QT250



DESCRIPTION

Quanta is perfect for highlighting architectural features or illuminating wide areas on building perimeters. Giving you more control of what you choose to illuminate. Featuring a dark sky friendly full cutoff down light, you will also benefit from various lighting intensities, exceptional lumen efficiency and optional forward throw with on site adjustability.

A standard 15° luminaire tilt with a locking mechanism, allows tuning of light with illuminated surface texture.

Quanta may be installed for exterior or interior lighting applications.
Quanta will provide a min. of 50 ft. of effective wall illumination.

Quanta is designed to achieve various lighting functions while keeping continuity in design.

Combined up and down light.

Both up and down light components are completely independent of each other allowing to pin point desired light distribution.

An optional front light marker is available for visual effect.

GENERAL SPECIFICATION

FINISH

Five stage preparation process. Polyester powder coating is applied through an electrostatic process and oven cured for longterm durability against harsh weather treatments.

- Extruded aluminum with internal heat sink for effective dissipation of heat
- Fully sealed luminaire with memory retention gasketing
- Clear tempered glass lens
- Weather resistant IP66 connection
- U.V stabilized SE00W power cable meets U.L 62
- Cast aluminum mounting assembly with holder cables to facilitate electrical connections during installation
- Single point mounting with heavy cast aluminum mechanism
- Blind pressure stainless steel fasteners
- Standard 4 K LED's. (Optional 35 K is available)
- U.L listed for wet location IP66

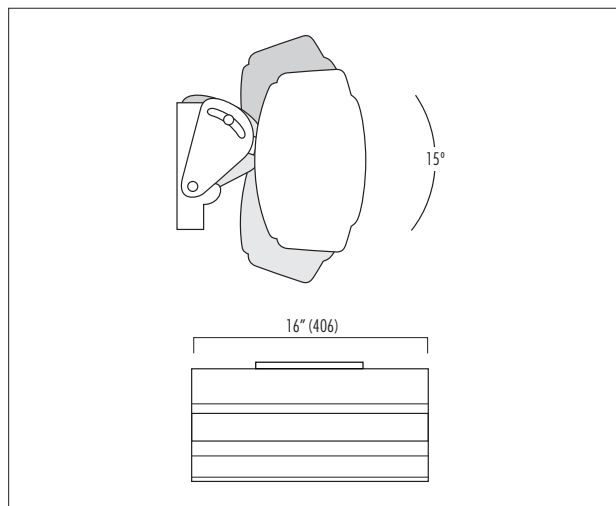
LM79 Independent photometry testing

LM80 Certified components

ELECTRICAL SPECIFICATION

- Optical loss < 15%
- Thermal loss <10% at 25°C ambient temperature
- Power factor > 90% at full load
- Voltage: 120/277V Constant voltage (+/- 10%)
- Frequency: 56/60 HZ
- System efficacy < 50%
- Delivered lumens over 50,000 hours: Min. 85%
- Overheat protection, self-limited short circuit protection and overload protected
- Load regulated from 0 to full load +/- 1%
- LED life rated at min. 50,000 hours
- Exclusive modular PC LED boards. Each module can be easily replaceable on site if required.

Quanta features a 15° tilt adjustment with angular indicators and locking mechanism.





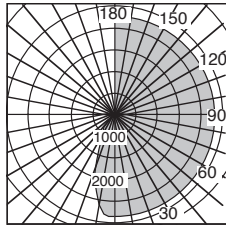
Job Name:
Phase II Mixed Use
Redevelopment

QT250-120-DGT-K35

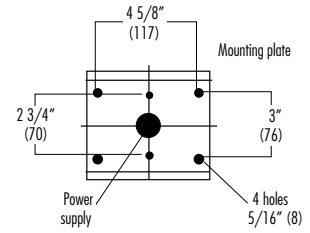
D

PHOTOMETRY

Please visit our web site: www.luminis.com
for complete I.E.S formatted download data.



MOUNTING



LUMINAIRE SELECTION

<p>QT250 Up/Down light</p>	<p>LUMINAIRE FOR UP/DOWN LIGHTING</p> <table border="1"> <tr><td>Lens type</td><td>Narrow</td></tr> <tr><td>Input watts</td><td>48</td></tr> <tr><td>Total flux</td><td>2736 Lms</td></tr> <tr><td>LPW</td><td>52 lms</td></tr> </table>	Lens type	Narrow	Input watts	48	Total flux	2736 Lms	LPW	52 lms	
Lens type	Narrow									
Input watts	48									
Total flux	2736 Lms									
LPW	52 lms									
<p>QT250-FWU Up light FWD</p>	<p>LUMINAIRE WITH UP LIGHT FORWARD THROW</p> <table border="1"> <tr><td>Lens type</td><td>Narrow</td></tr> <tr><td>Input watts</td><td>60</td></tr> <tr><td>Total flux</td><td>3420 Lms</td></tr> <tr><td>LPW</td><td>52 lms</td></tr> </table>	Lens type	Narrow	Input watts	60	Total flux	3420 Lms	LPW	52 lms	
Lens type	Narrow									
Input watts	60									
Total flux	3420 Lms									
LPW	52 lms									
<p>QT250-FDW Down light FWD</p>	<p>LUMINAIRE WITH DOWN LIGHT FORWARD THROW</p> <table border="1"> <tr><td>Lens type</td><td>Narrow</td></tr> <tr><td>Input watts</td><td>60</td></tr> <tr><td>Total flux</td><td>3420 Lms</td></tr> <tr><td>LPW</td><td>52 lms</td></tr> </table>	Lens type	Narrow	Input watts	60	Total flux	3420 Lms	LPW	52 lms	
Lens type	Narrow									
Input watts	60									
Total flux	3420 Lms									
LPW	52 lms									
<p>QT250-FWUD Up/down forward throw</p>	<p>LUMINAIRE WITH UP AND DOWN LIGHT FORWARD THROW</p> <table border="1"> <tr><td>Lens type</td><td>Narrow</td></tr> <tr><td>Input watts</td><td>72</td></tr> <tr><td>Total flux</td><td>4104 Lms</td></tr> <tr><td>LPW</td><td>52 lms</td></tr> </table>	Lens type	Narrow	Input watts	72	Total flux	4104 Lms	LPW	52 lms	
Lens type	Narrow									
Input watts	72									
Total flux	4104 Lms									
LPW	52 lms									

Please add Voltage-Finish & Option suffix (If applicable) to selected catalog number.

VOLTAGE

- 120 V
- 277 V

Luminaires are prewired for 120V if no voltage is specified.

STANDARD FINISHES

- WHT:** Snow white
- BKT:** Jet black
- BZT:** Bronze
- GRT:** Titanium gray
- DGT:** Gun metal
- CHT:** Champagne
- CS:** Custom color

(Refer to color chart)

OPTIONS

- K35** 3500° K LED color rendition
- LP** Prismatic LED concealing lens 10% loss
- RMQ** LED remote emergency battery
- FR** Optional front light. Add 2W to Input Wattage.



(USA) 3555 NW 53rd Court, Fort Lauderdale, FL.33309 — Toll free: 888.401.6999, Fax: 954.717.4157
(Canada) 260 Labrosse, Pointe Claire (Quebec) H9R 5L5

www.luminis.com