

Type S2

LUMINAIRE
 Holophane Lighting model ESU 175PM MA CMC 45-64319
 Cast aluminum housing with stainless steel hardware. Dropped refractor shall be thermal resistant borosilicate glass. Internal reflector and prismatic diffuser shall provide an IRS Type IV distribution pattern. Luminaire shall include an integral ballast with modular wiring connectors and multi-voltage taps. Provide an internal receptacle type photocell control. Luminaire shall be manufacturer's standard color black.

LANE
 Sylvania model M6175/PC/BU-ONLY
 Vertical mounted, 175 watt mogul base clear metal halide lamp.

BRACKET ARM
 Holophane Lighting model OUC 6063-76
 Aluminum crossarm with a post-top fitting for a 3-1/2" by 4" section. Bracket arm shall be manufacturer's standard black color.

SLIP FITTER
 Holophane Lighting model SHEL200-GCA/AS (Boston Harbor Series)
 2-1/8" O.D. with swivel cast fitter. Slip fitter shall be manufacturer's standard black color.

LIGHTING POLE
 Tapered steel pole shaft rated for a 50mph wind load with a 1.3 gust factor. Provide four hot-dipped galvanized steel L-type anchor bolts. Lighting pole shall be manufacturer's standard black color.

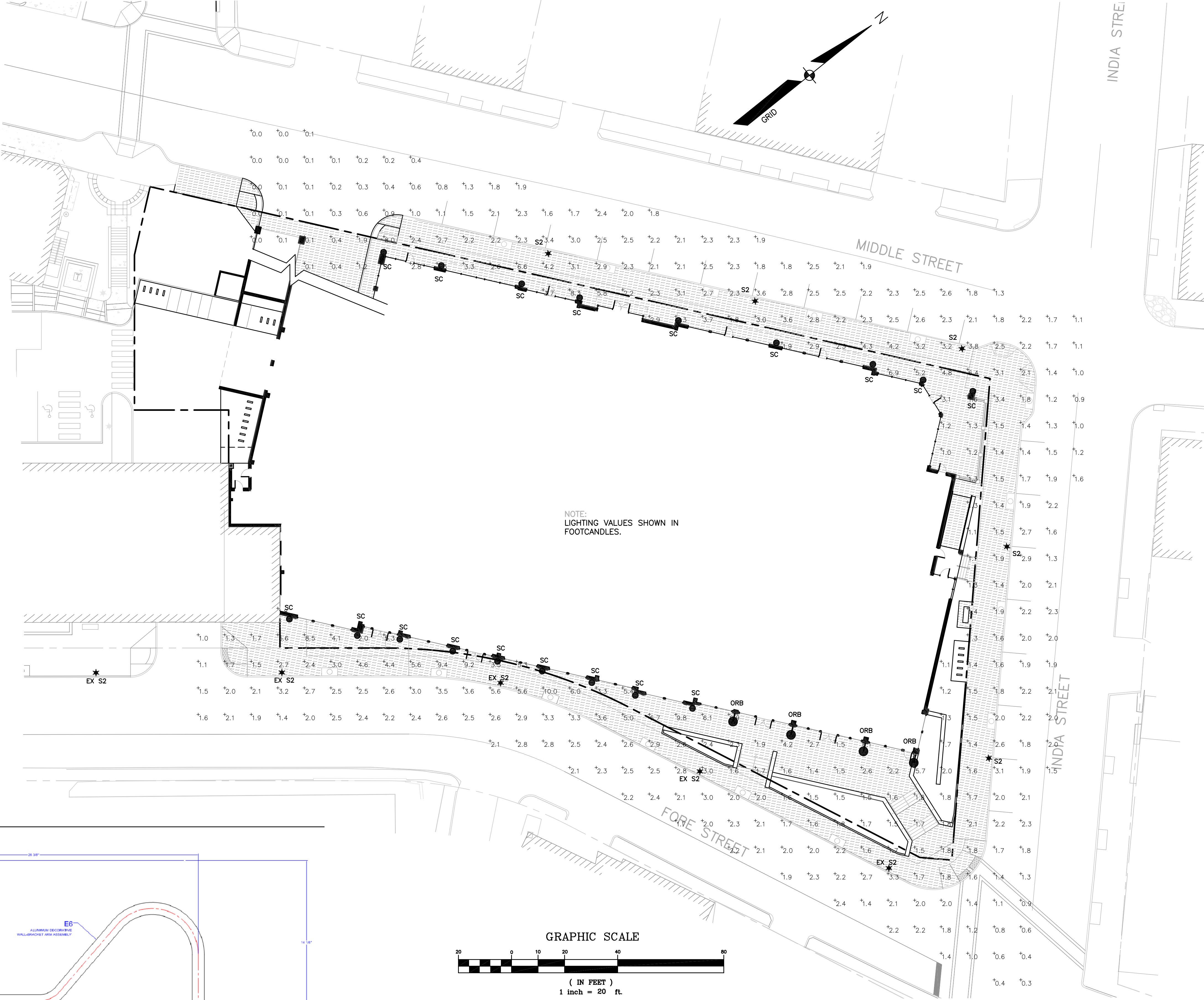
DECORATIVE POLE BASE
 Holophane Lighting model Cambridge Series
 Decorative clamshell cast aluminum base. Hardware shall be stainless steel. Decorative pole base shall be manufacturer's standard black color.

CONNECTIONS
 New street/sidewalk lighting shall be connected to a metered electrical service from The Central Maine Power Company unless the City directs otherwise.

APPLICATION
 Street/Sidewalk lighting for two-way streets with parking on one side, or one-way streets.

Suggested layout:
 60-100 ft on center (one side only)
 150-200 ft on center (staggered pattern both sides)

City of Portland, Maine
Street & Sidewalk Lighting
WATERFRONT COMMERCIAL DISTRICT
Medium Scale Lighting Pole
 08/06/10



NOTE:
 LIGHTING VALUES SHOWN IN
 FOOTCANDLES.

LUMINIS **LED ECLIPSE**

Specification W633, W635, W637

All exposed cast aluminum components are made of non-corrosive pure aluminum or 6061-T6 aluminum with less than 1% copper content #5052 alloy. Color is designed to accommodate various lamp sources and wattage.

Finish: All exterior powder coated. Coatings proceed with a 3 layer preparation process. Meets military grade MIL-CRT-17 with a 2000 hour salt spray test.

All power supply drivers are 80% min. efficiency.
 All luminaire housings are protected with memory retention.
 All stainless steel hardware.
 All moving and removable parts are sealed with a memory retention silicone gasket.

- Cast aluminum top sealed cover.
- 1/2" dia. solid aluminum stud.
- White translucent U.V. protected high impact acrylic diffuser.
- Cast aluminum driver base housing.
- Removable bottom cover.
- W633 Grid of cast aluminum blades.
- W637 Field adjustable semi-oblong aluminum reflector disc.

LED specification

Cast aluminum heat dissipation LED column, engineered to manage heat extraction uniformly and maximize heat extraction to ensure light stability, durability, and LED performance.

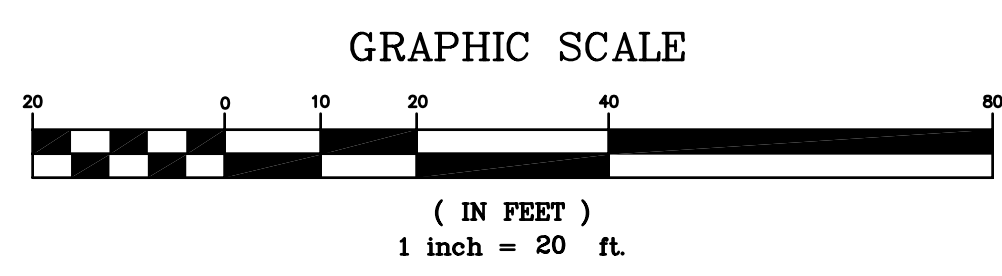
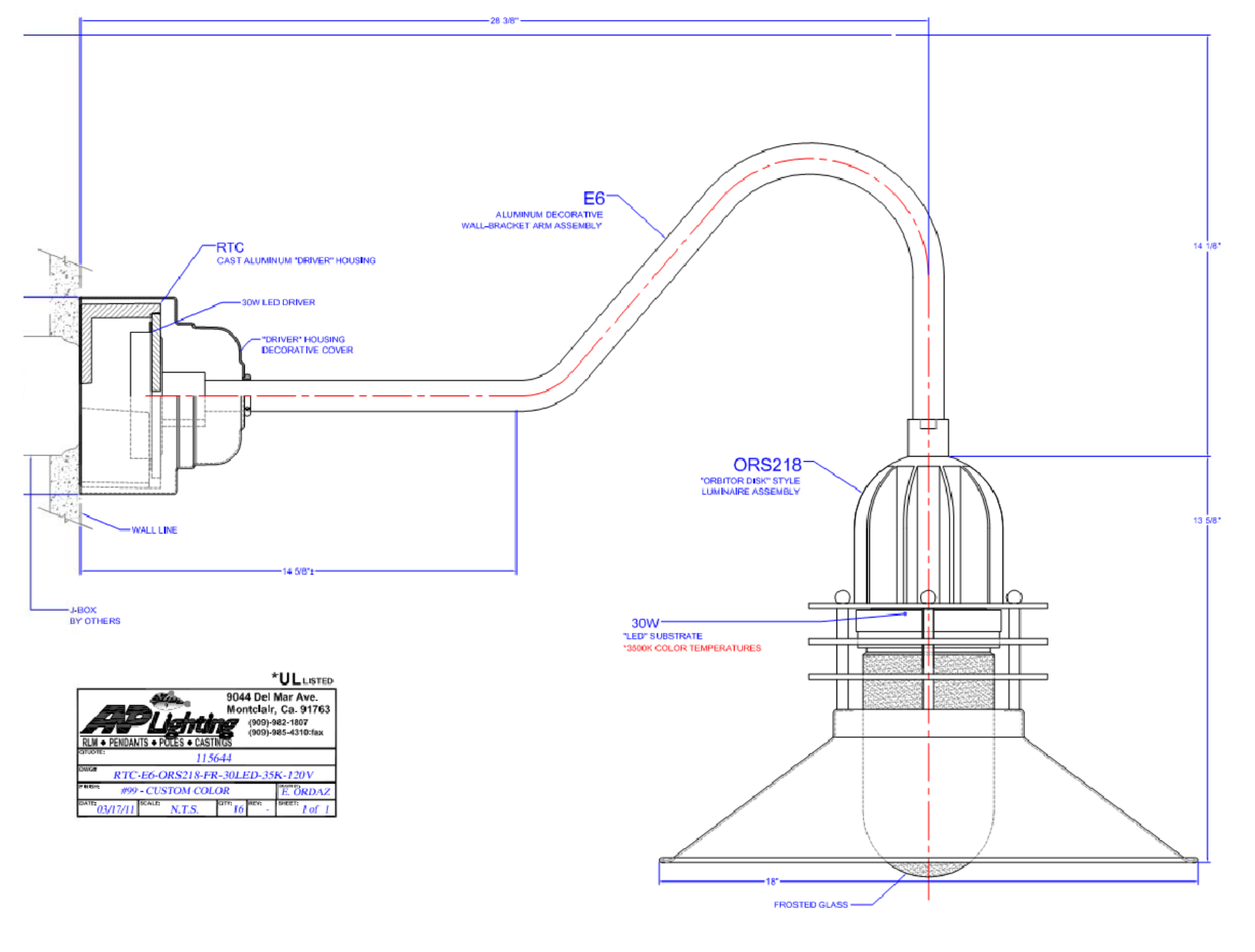
Standard high power LED coupled with an adjustable reflector and narrow light beam lens, positioned to minimize glare spots. LEDs are mounted on separate PCB boards, and mechanically secured. Each board can be easily replaced as required.

LM87 Independent shuttles using LM87 Certified components.

Model#	LED selection	Finish	Options
W633	L24E 24 36 120V 300 1508 Lms. 4000°K	White	LED Down light LED Up light Updown light combination 1/2" dia. 3/8" oblong disc. 120277V photo cell 347V photo cell 8000°K CCT 3500K CCT Hazard color LED Red color LED
W635	L24E 28 42 120V 300 2228 Lms. 4000°K	White	
W637	L30E 52 48 277V 150 2548 Lms. 4000°K	White	

Notes:
 Standard smart power supply driver 120277V.
 For 347V Please consult factory.

UL Listed
 9044 Del Mar Ave
 Henderson, CA 91704
 (951) 462-1000
 (951) 462-1001
 (951) 462-1002



LIGHT FIXTURE SCHEDULE				
TYPE	DESCRIPTION	MANUFACTURER/ CATALOG NO.	LAMPS	MOUNTING
EX S2	EXISTING AREA LIGHT WITH HIGH PERFORMANCE SR4SC OPTICS, CLEAR FLAT GLASS.	HOLOPHANE LIGHTING ESU 175PM MA CMC 45-64319	ONE 175-WATT CLEAR METAL HALIDE LAMP, VERTICAL MOUNTED.	POLE MOUNTED 20' HEIGHT
S2	AREA LIGHT WITH HIGH PERFORMANCE SR4SC OPTICS, CLEAR FLAT GLASS.	HOLOPHANE LIGHTING ESU 175PM MA CMC 45-64319	ONE 175-WATT CLEAR METAL HALIDE LAMP, VERTICAL MOUNTED.	POLE MOUNTED 20' HEIGHT
ORB	ORBITOR DISC STYLE LUMINAIRE ASSEMBLY	ANP LIGHTING OR218-FR-99-E6-30LED-35K-RTC	30W LED SUBSTRATE 3500K COLOR TEMPS.	BUILDING MOUNTED 12' HEIGHT
SC	WALL SCONCE	LUMINIS LIGHTING W633-L24E-DGT-LDC-35K	36W LED SUBSTRATE 3500K COLOR TEMPS.	BUILDING MOUNTED 7' HEIGHT

DATE	REVISION	SCHEDULE
07-23-12 <td>PER CITY COMMENTS <td></td> </td>	PER CITY COMMENTS <td></td>	

COPECHEE
 CONSTRUCTION CORPORATION
 11 CORPORATE DRIVE, BELMONT NH 03220
 PHONE (603) 527-5050 FAX (603) 527-4191

LIGHTING PLAN

PROJECT: **PHASE II MIXED USE REDEVELOPMENT OF THE FORMER JORDAN'S MEATS SITE** PORTLAND, ME

DATE: 05-01-12
 SCALE: 1"=20'
 DRAWN BY: SML

C08
 SHEET: 8 OF 11