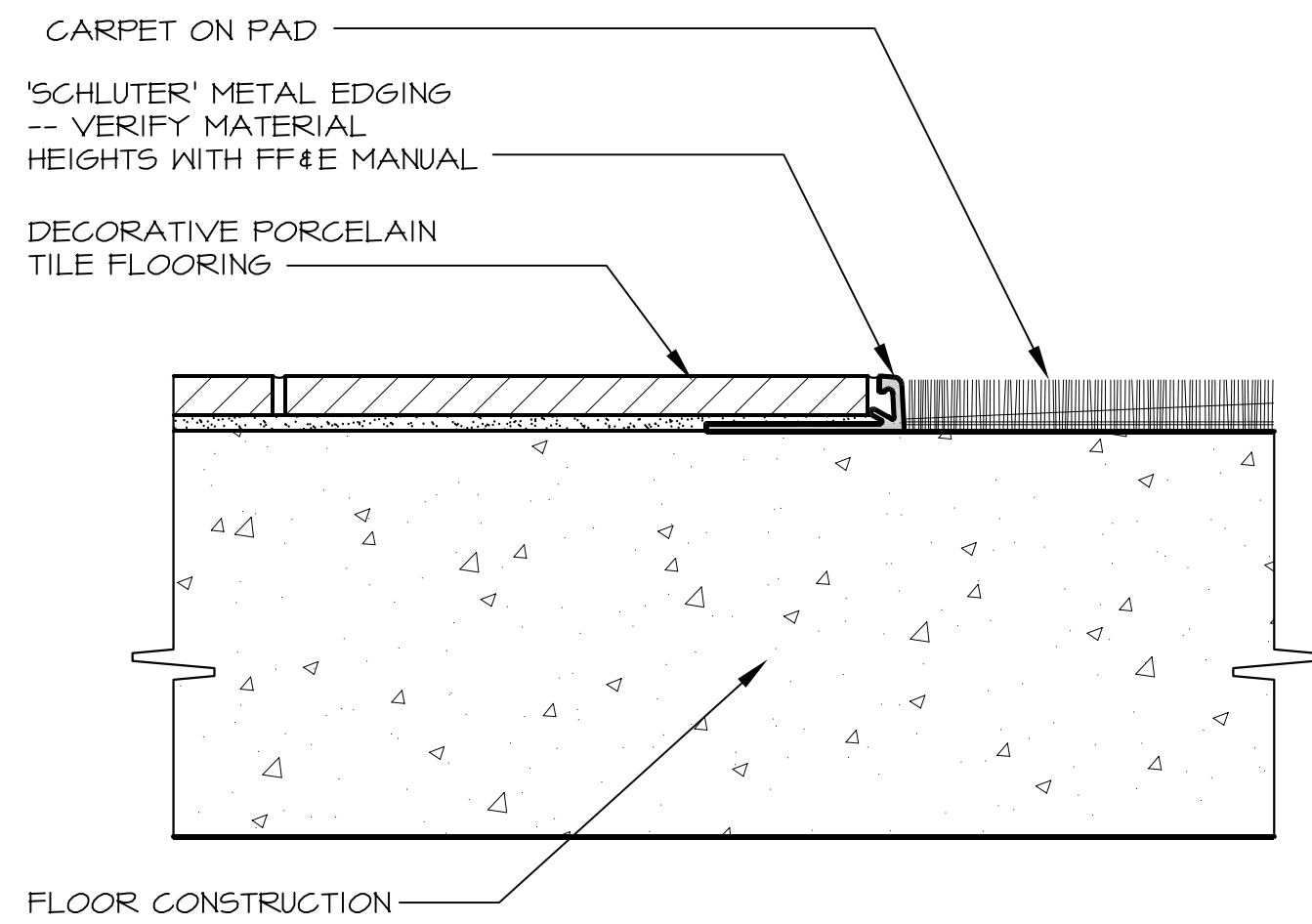
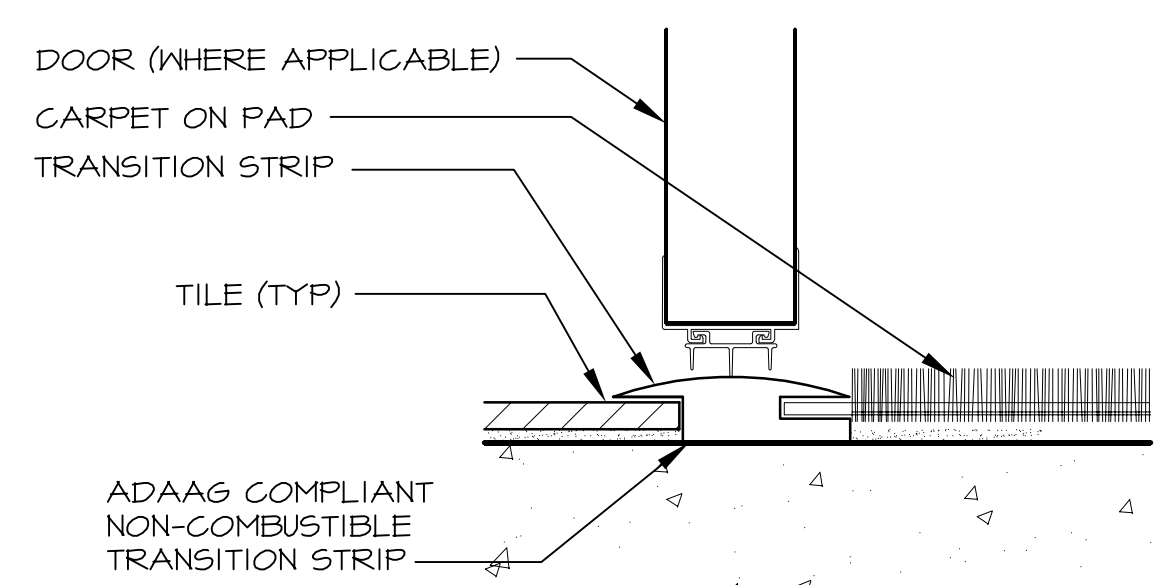


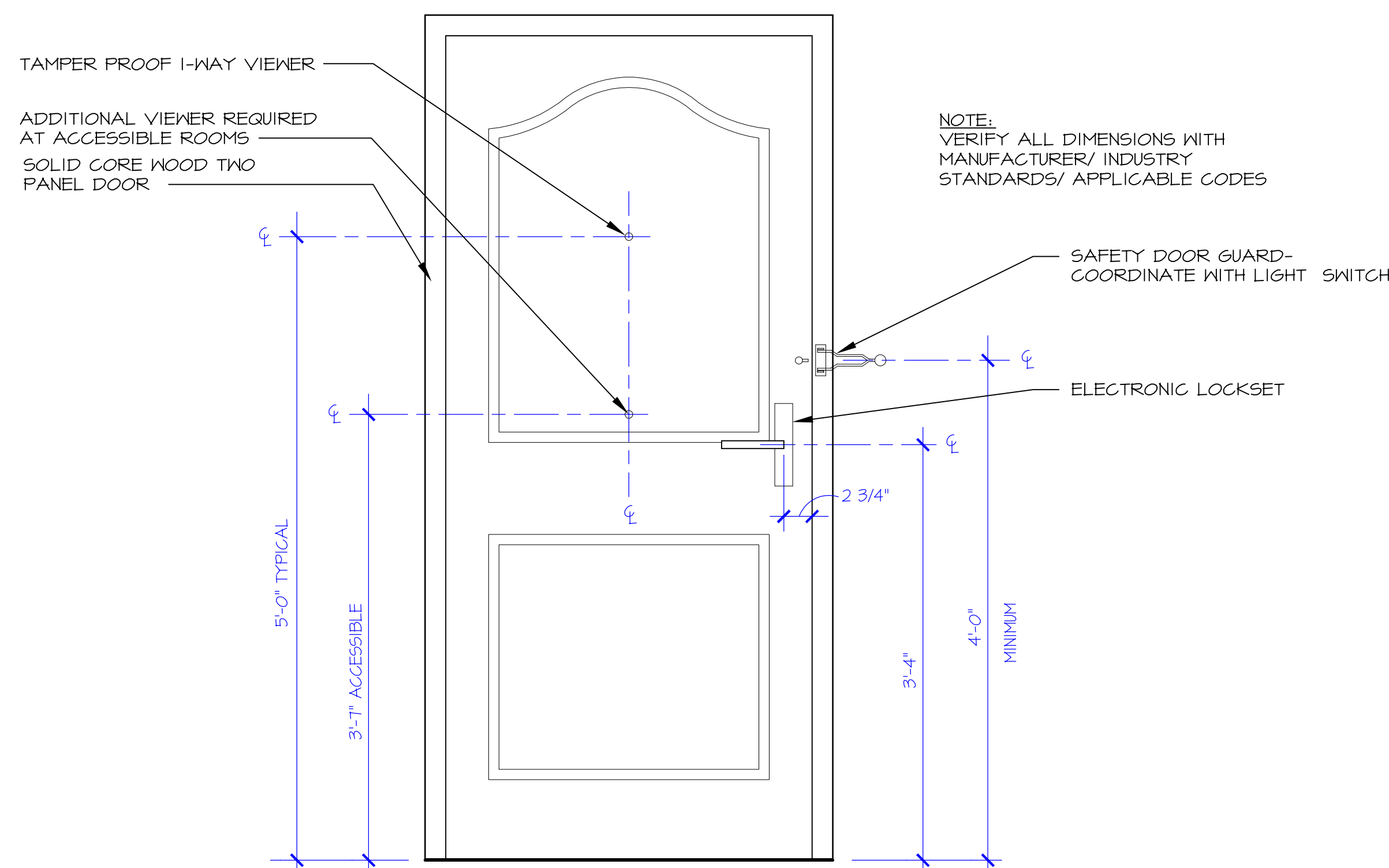
**2** THRESHOLD DETAIL AT CONNECTING DOOR  
 A33 SCALE: N.T.S.



**3** FLOOR TRANSITION DETAIL  
 A33 SCALE: N.T.S. CARPET TO TILE



**4** THRESHOLD DETAIL AT ENTRY DOOR  
 A33 SCALE: N.T.S.



**1** ELEVATION AT GUEST ROOM ENTRY DOOR  
 A33 SCALE: 1" = 1'-0"

REVISION SCHEDULE	REVISION DESCRIPTION	DATE	BY

**COPECHED**  
 CONSTRUCTION CORPORATION  
 11 CORPORATE DRIVE, BELMONT, NH 03320  
 PHONE: (603) 371-9090 FAX: (603) 371-9191

DOOR HARDWARE AND DETAILS

PROJECT: Hotel, Restaurant, & Portside Residences  
 Portland ME

DATE: 06-23-10  
 SCALE: As Shown  
 DRAWN BY: dwb

A33 SHEET

