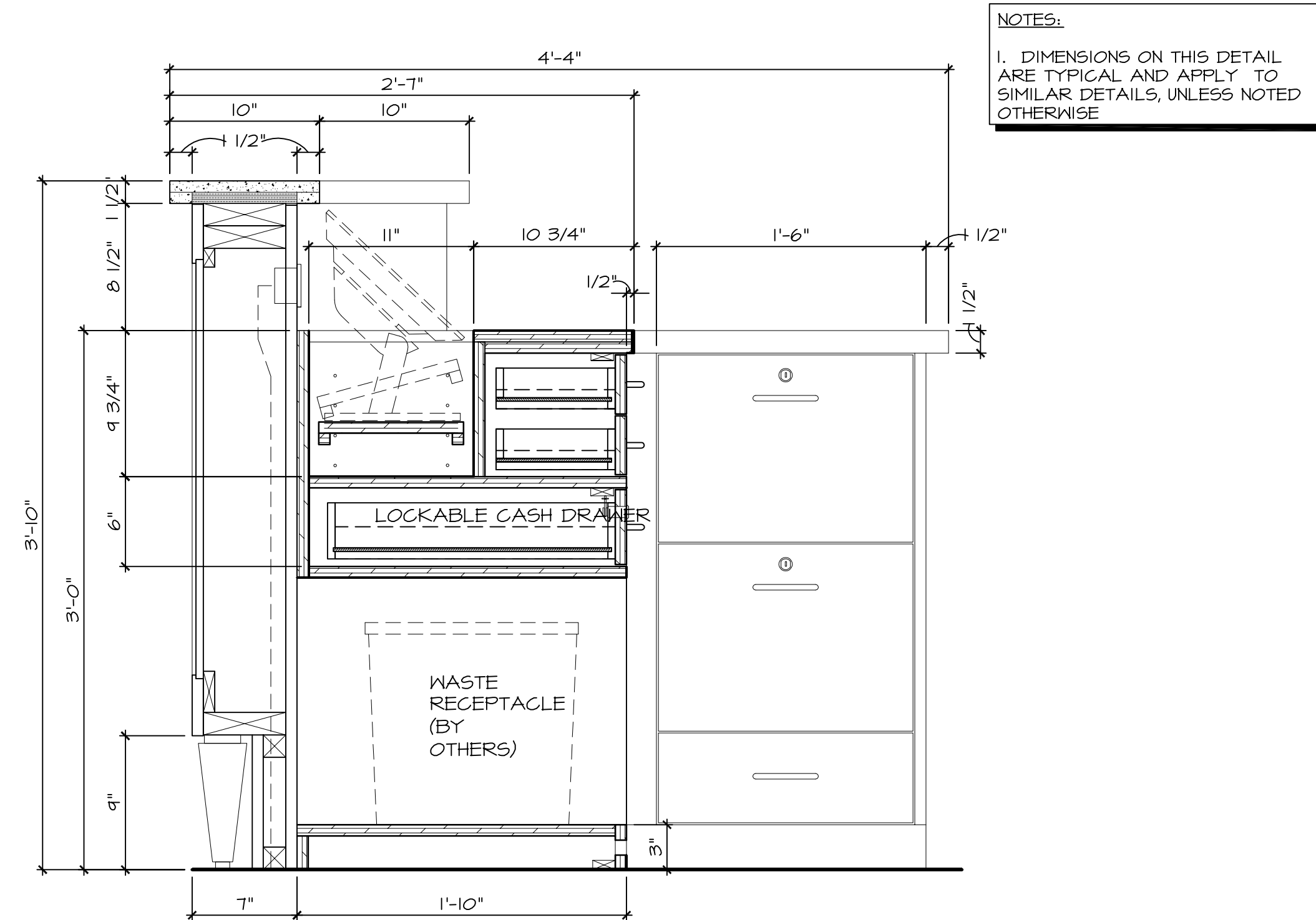
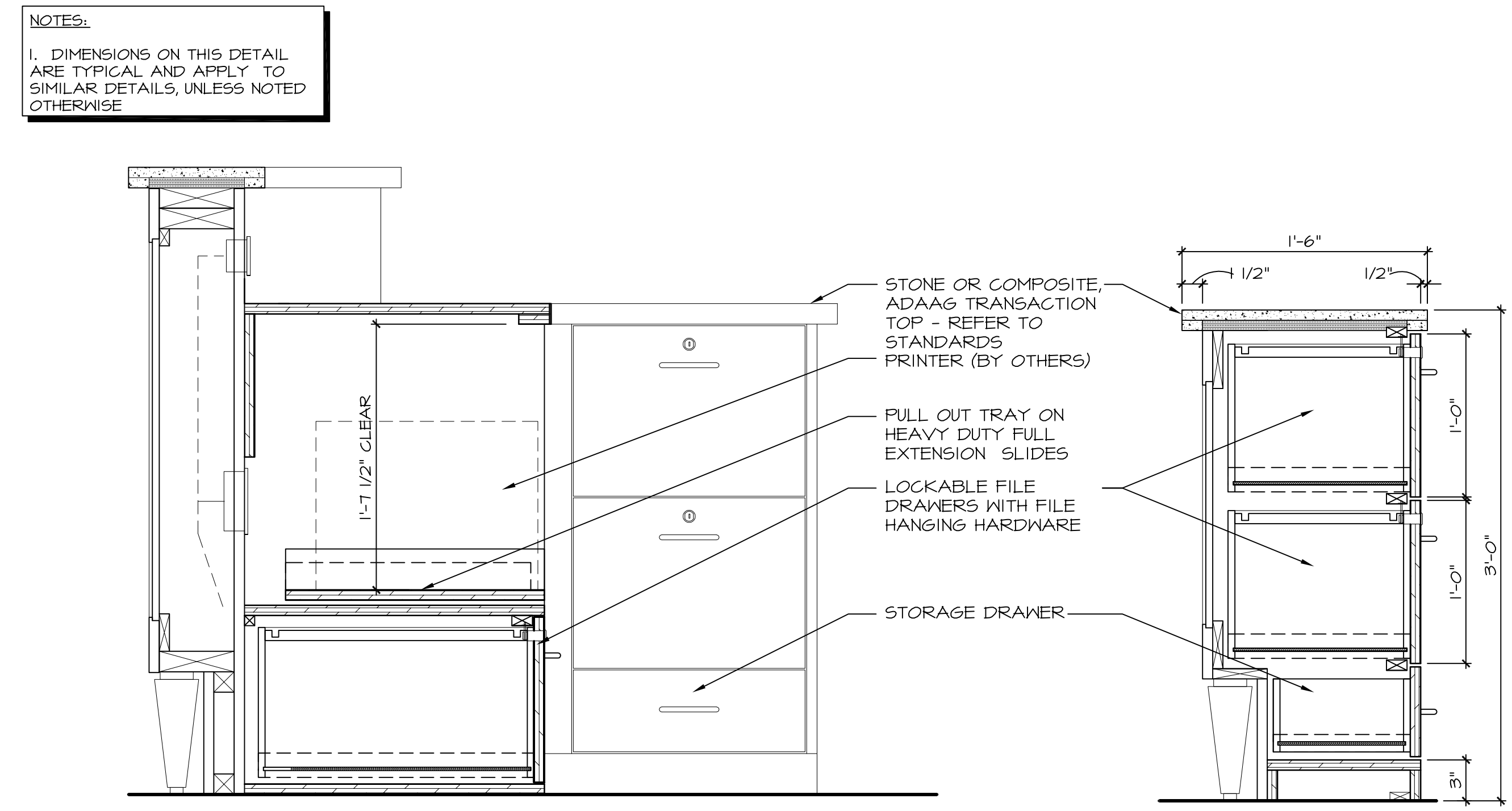


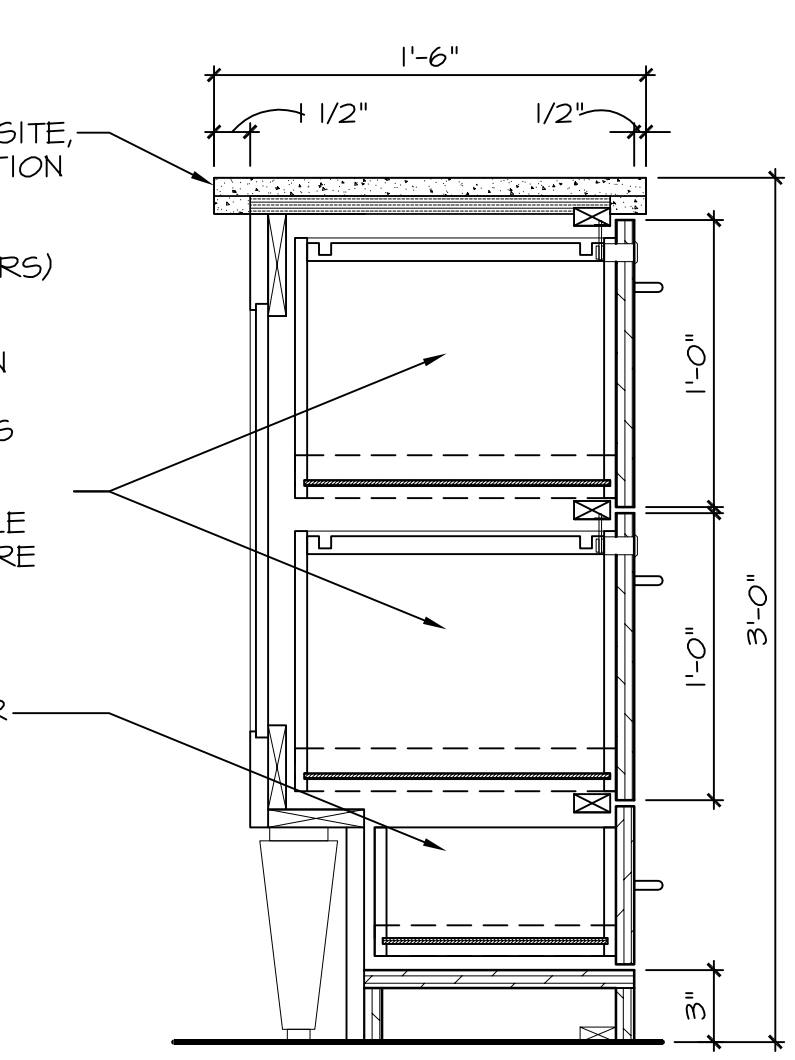
**1 SECTION DETAIL**  
A23 SCALE: 1/2" = 1'-0"



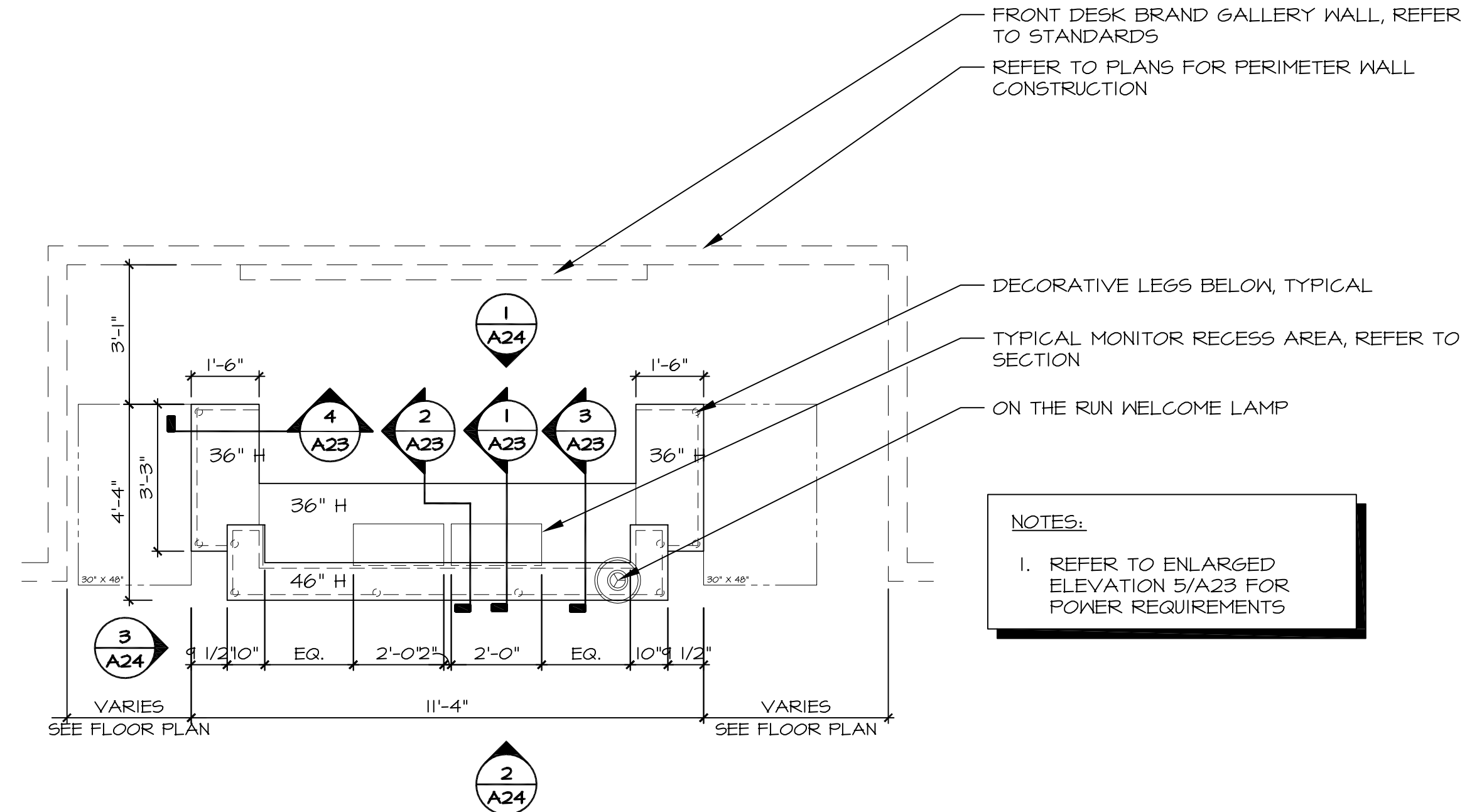
**2 SECTION DETAIL**  
A23 SCALE: 1/2" = 1'-0"



**3 SECTION DETAIL**  
A23 SCALE: 1/2" = 1'-0"



**4 SECTION DETAIL**  
A23 SCALE: 1/2" = 1'-0"



**5 ENLARGED PLAN**  
A23 SCALE: 3/8" = 1'-0"

REVISION SCHEDULE	REVISION DESCRIPTION	DATE	BY

**COPECHED**  
CONSTRUCTION CORPORATION  
11 CORPORATE DRIVE, BELMONT, NH 03220  
PHONE: (603) 321-9090 FAX: (603) 221-9191

MILLWORK  
FRONT DESK

PROJECT:  
Hotel, Restaurant,  
& Portside Residences  
Portland ME

DATE: 06-17-10  
SCALE: As Shown  
DRAWN BY: dwb  
A23  
SHEET:

