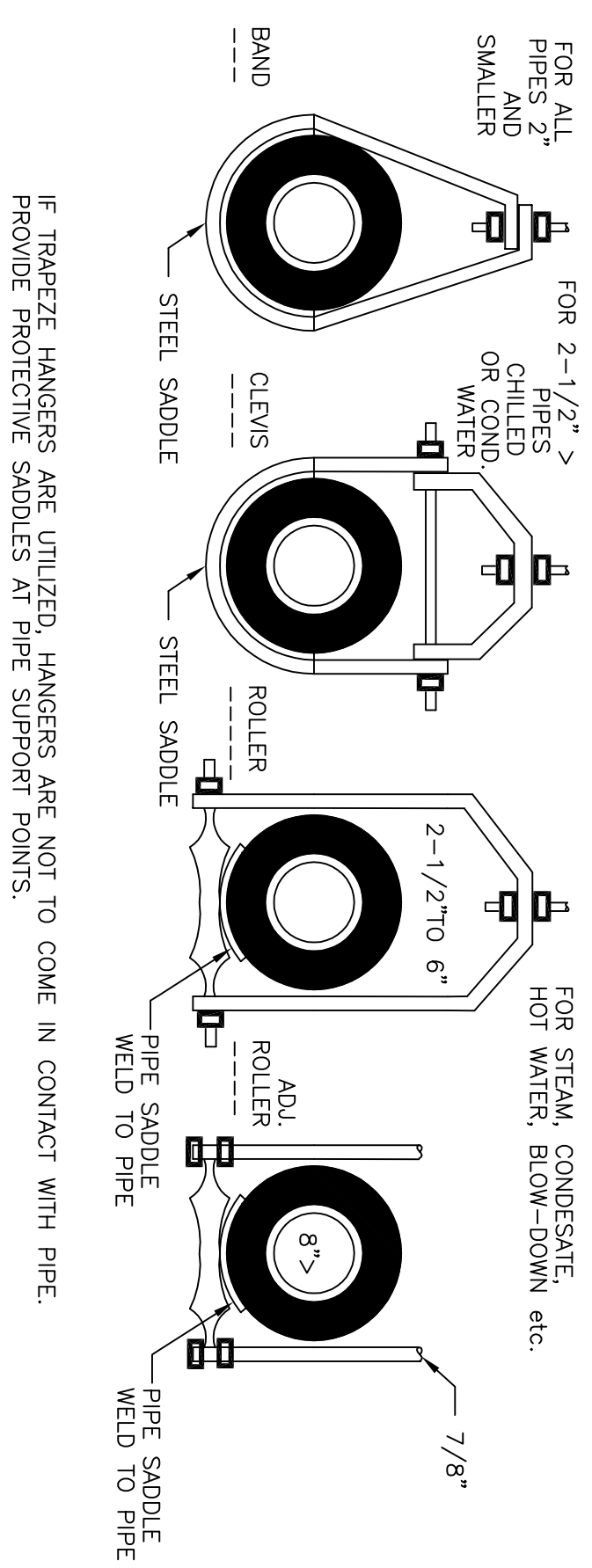


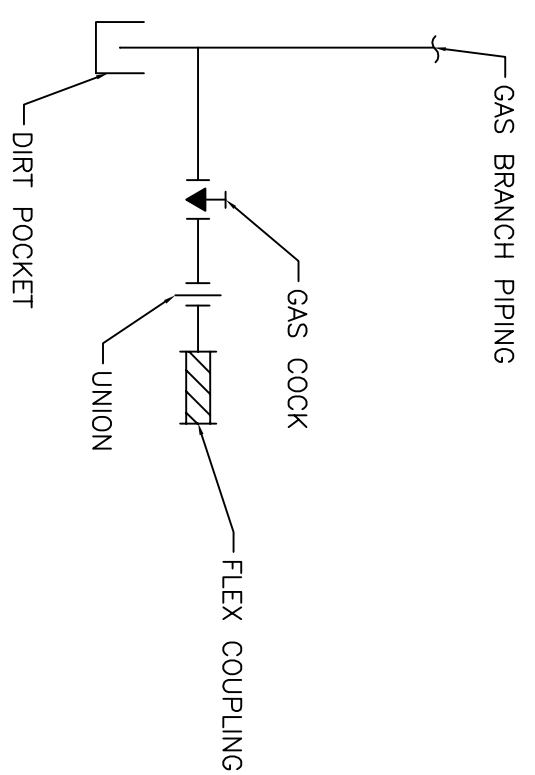
PIPE SIZE	ROD SIZE
3/4" TO 2"	3/8"
2-1/2" TO 3-1/2"	1/2"
4" TO 5"	5/8"
6"	3/4"
8" TO 12"	7/8"

NOMINAL PIPE SIZE	MAX. HANGER AND SUPPORT SPACING IN FT.
1/2"	3/4'
3/4"	1'
1"	1-1/2'
1-1/4"	2'
1-1/2"	2-1/2'
2"	3'
2-1/2"	3-1/2'
3"	4'
3-1/2"	4-1/2'
4"	5'
4-1/2"	5-1/2'
5"	6'
5-1/2"	6-1/2'
6"	7'
6-1/2"	7-1/2'
7"	8'
7-1/2"	8-1/2'
8"	9'
8-1/2"	9-1/2'
9"	10'
9-1/2"	10-1/2'
10"	11'
10-1/2"	11-1/2'
11"	12'
11-1/2"	12-1/2'
12"	13'



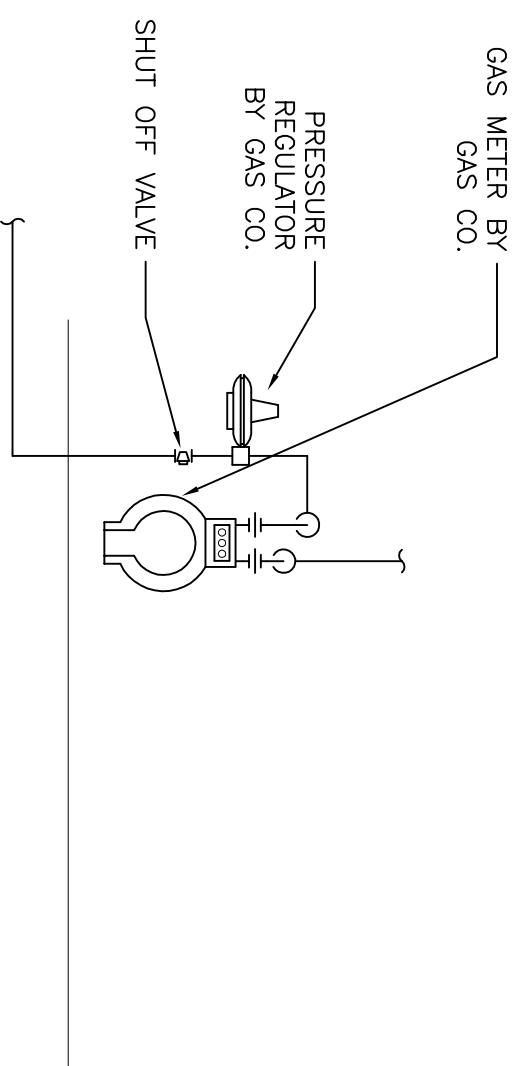
PIPE HANGER STANDARDS

NTS



TYPICAL GAS HOOK-UP TO EQUIPMENT

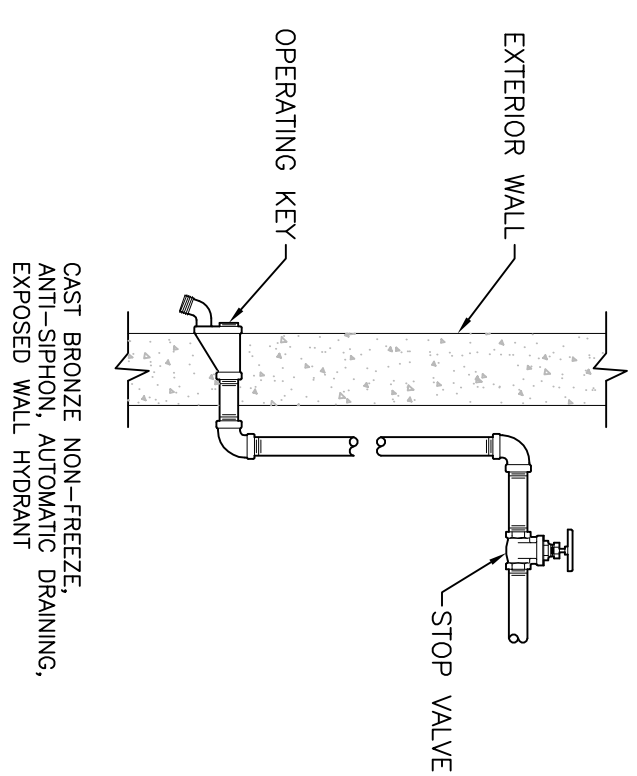
NTS



NOTES:
 ① VERIFY ALL DIMENSIONS W/GAS CO.

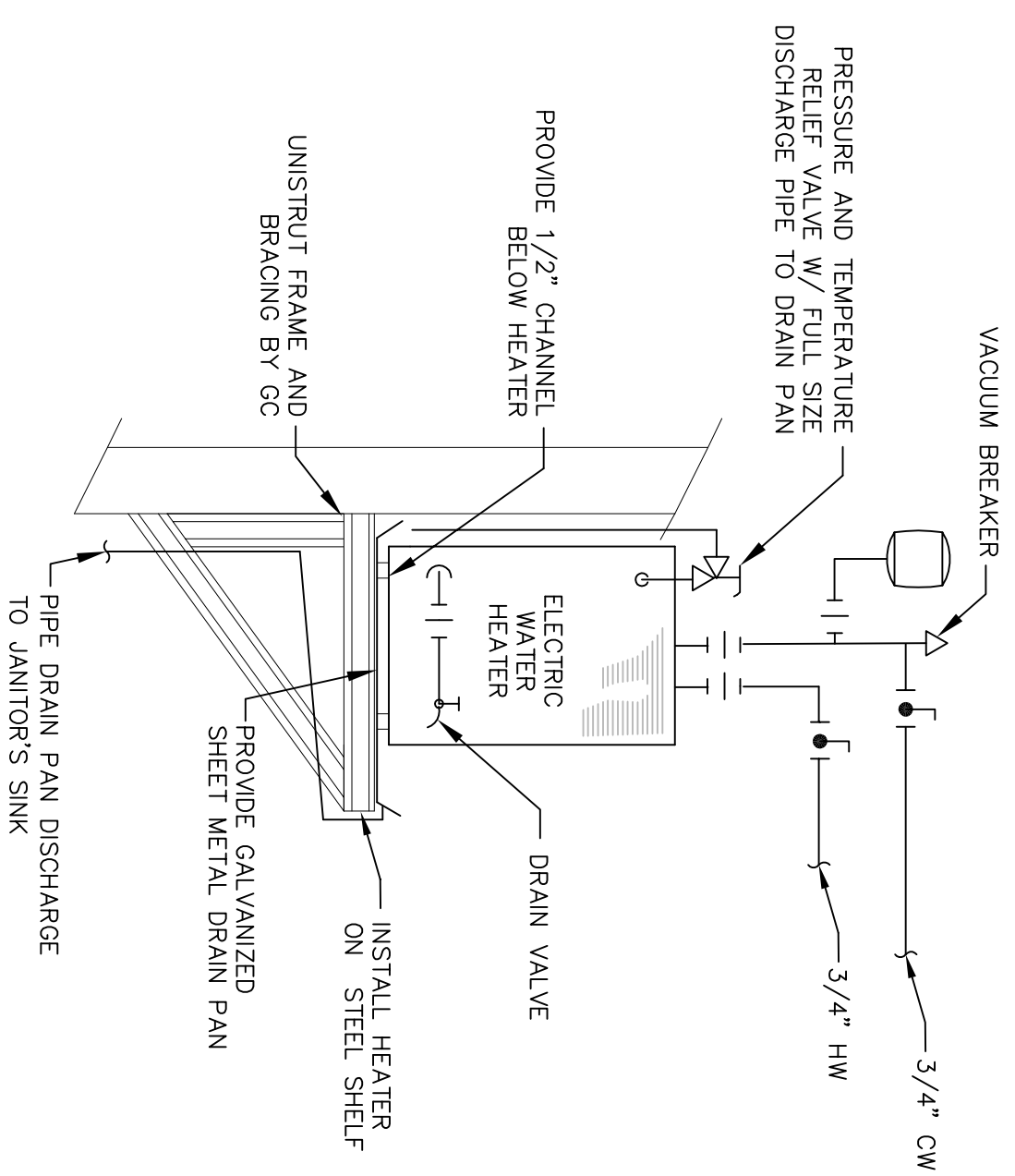
GAS METER DETAIL

NTS



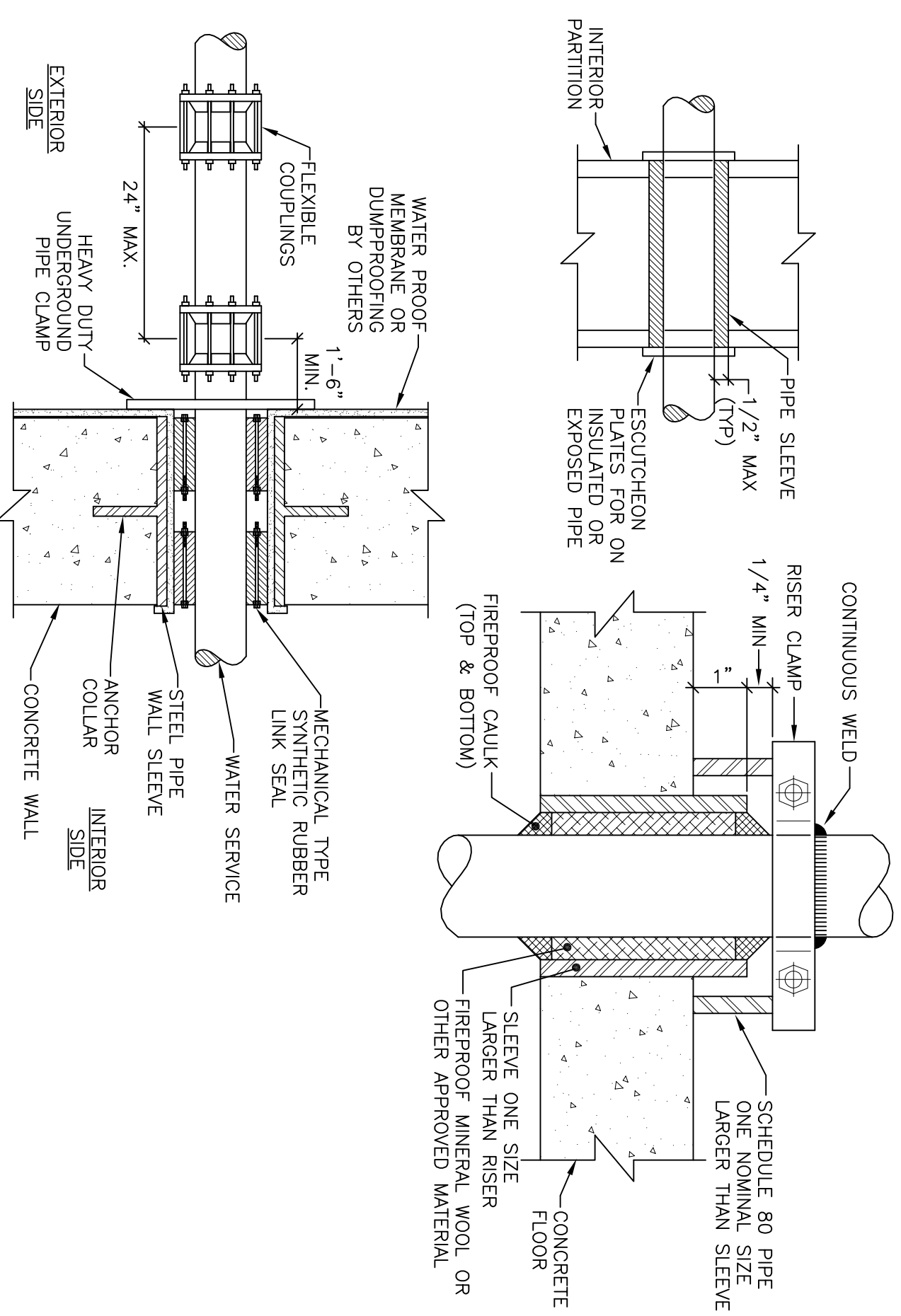
WALL HYDRANT DETAIL

NTS



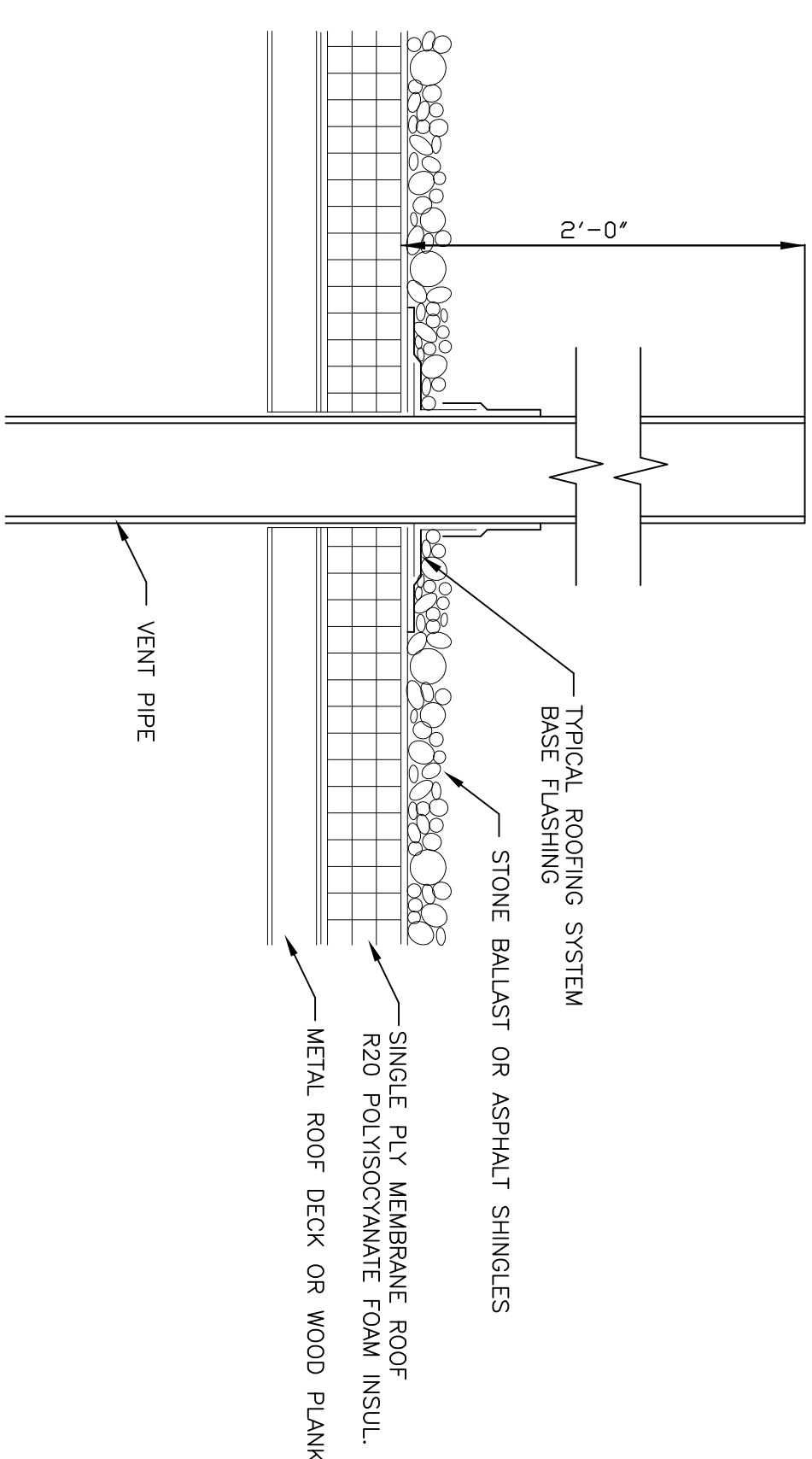
WALL MOUNTED ELECTRIC WATER HEATER DETAIL

NTS



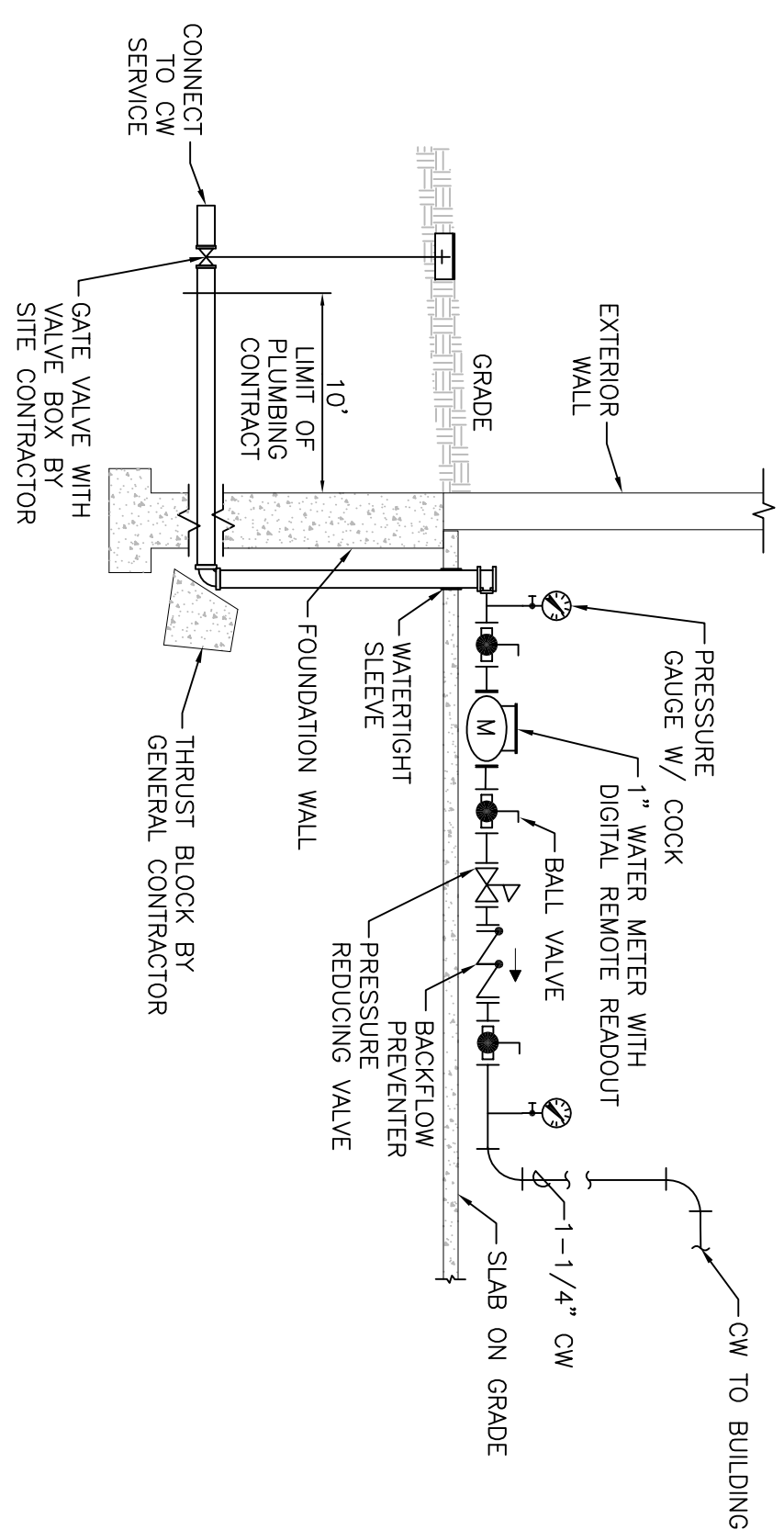
WATER PIPING PENETRATIONS

NTS



VENT PIPE DETAIL

NTS



WATER METER DETAIL

NTS

INTEGRATED ENGINEERED SYSTEMS, INC.
 ▲ MECH. DESIGN ▲ ENERGY MGT. ▲ INDOOR AIR QUALITY
 P.O. BOX 657 AUBURN, N.H. 03032
 Tel: (603) 625-1346 Fax: (603) 625-8456

Atlantic Comfort Systems, Inc.
 PO BOX 665-392 HILL STREET
 BIDDEFORD, MAINE 04005
 PHONE: (207) 284-6360
 FAX: (207) 284-6377

CUSTOM HOUSE SQUARE
 300 FORE STREET
 PORTLAND, MAINE
PLUMBING DETAILS

ISSUE DATE: SEPT. 19, 2006
 PROJECT #: J493
 P.E.: JK D.B.: CLB
P4.0