

**Gawron Turgeon ARCHITECTS**  
 29 Black Point Road  
 Scarborough, Maine 04074  
 www.gawronturgeon.com  
 207.883.2500 • Fax: 207.883.2501

**Olympia Development, LLC**  
 300 Fore Street, First Floor  
 Portland, Maine

REVISIONS	
#	DATE DESCRIPTION
1	1-23-09 PRRNT SET

DATE	01.19.09
PROJECT #	010099
DRAWN BY	LAP
CHECKED BY	MEI
DRAWING SCALE	AS NOTED

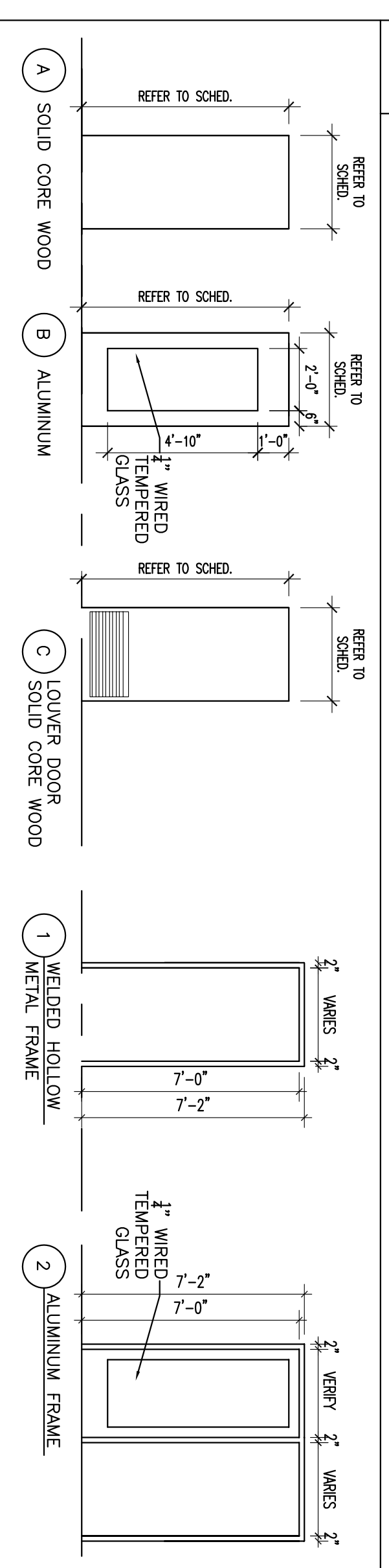
**SHEET TITLE**  
 DOOR SCHEDULE,  
 WALL PARTITIONS  
 & INTERIOR ELEVATIONS

**A901**

© COPYRIGHT 1985-2008  
 DOCUMENT NUMBER: A901  
 PROJECT: 010099  
 REVISION: 01/19/09

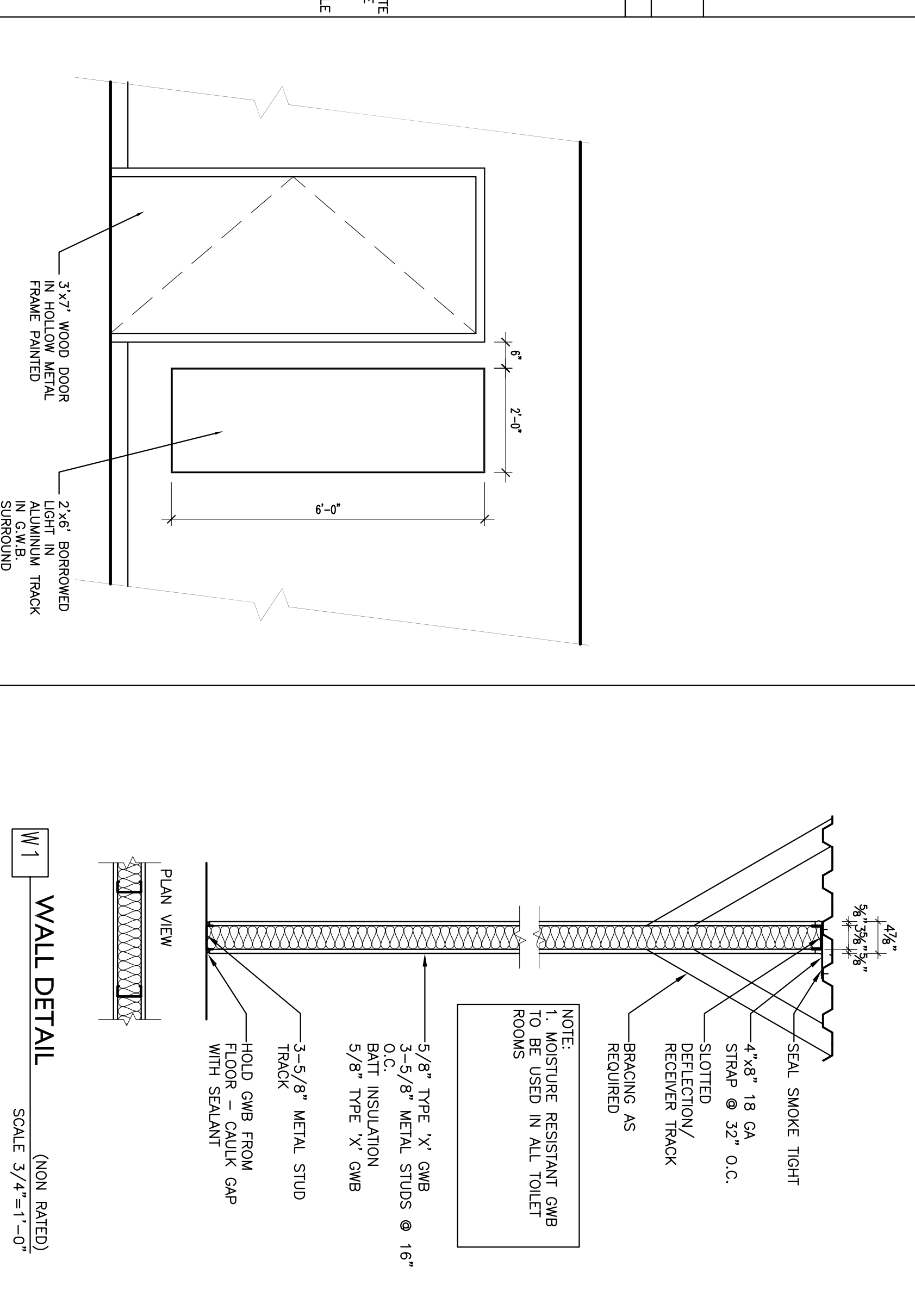
**L13 DOOR SCHEDULE**

NOTES:  
 1. NEW DOOR: REFER TO ADOPT EXISTING BUILDING STANDARDS  
 2. COORDINATE KNOB SCHEDULE WITH OWNER



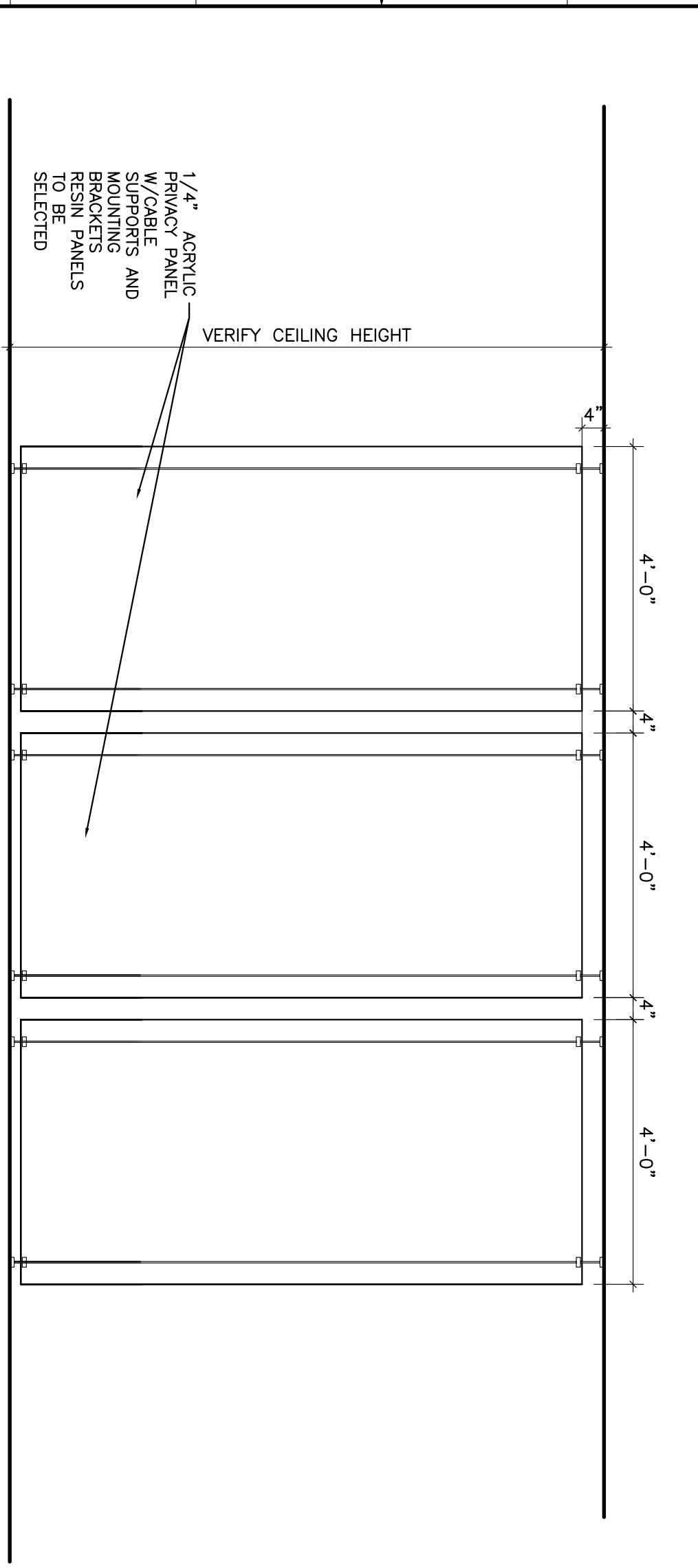
**H13 DOOR & FRAME TYPES**

1/4"=1'-0"



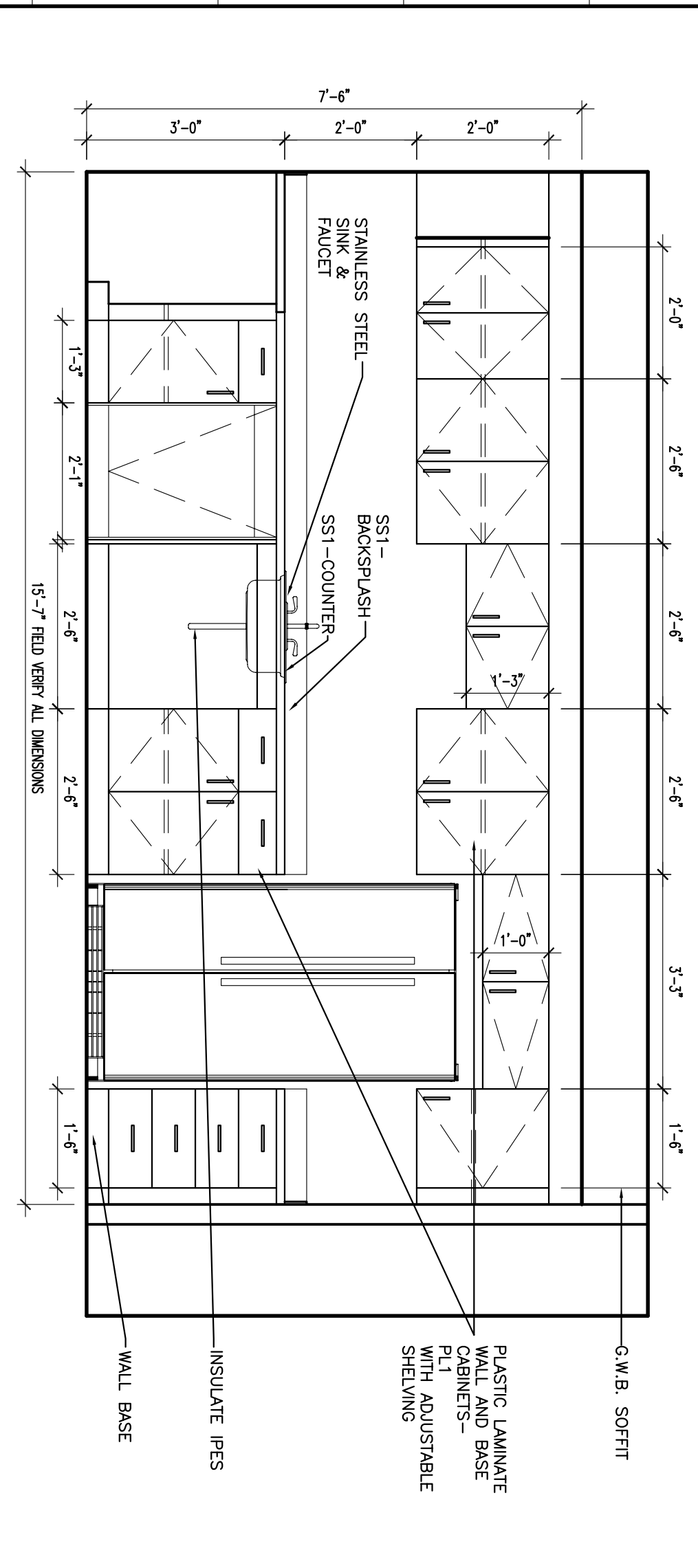
**F1 INTERIOR ELEVATION**

1/2"=1'-0"  
 RECEPTION 125



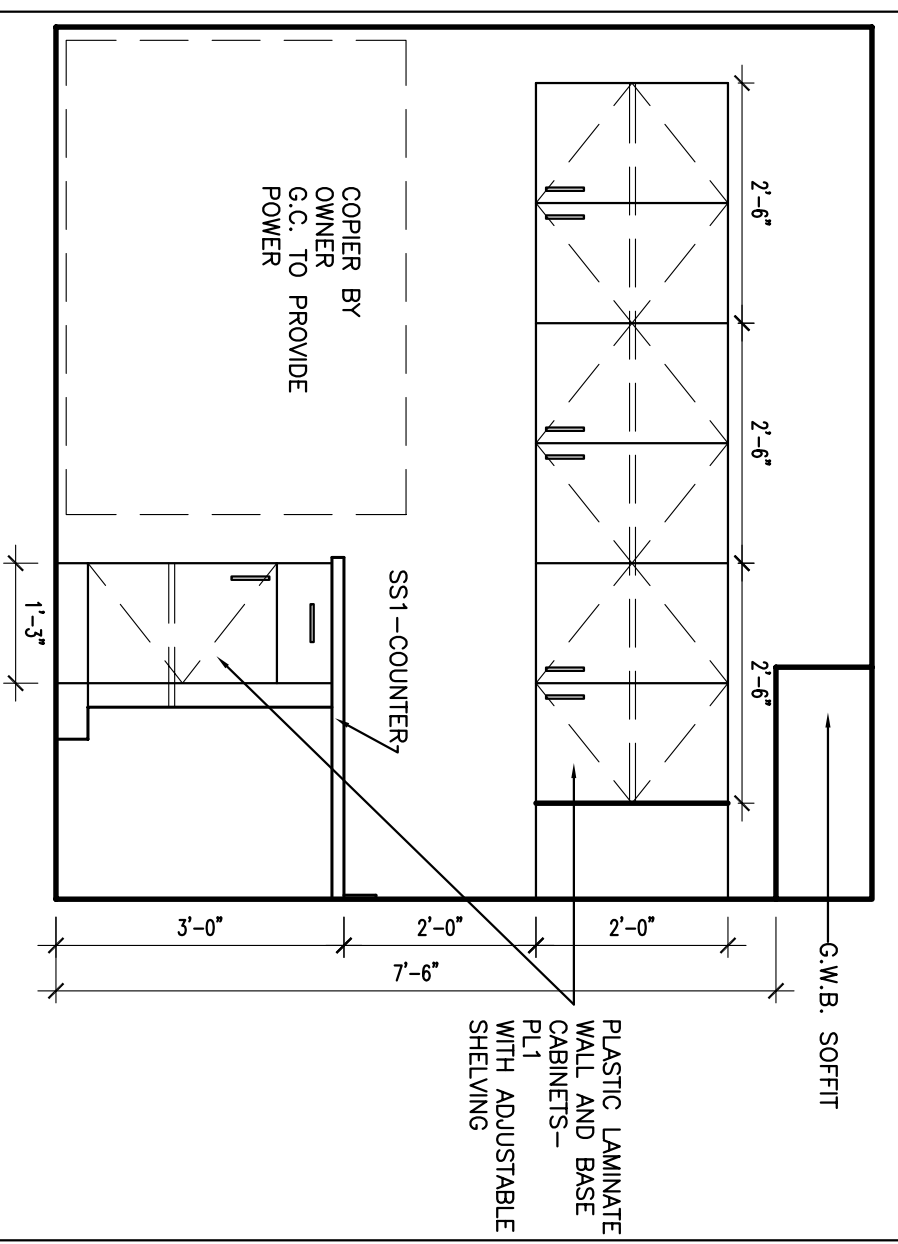
**A1 INTERIOR ELEVATION**

1/2"=1'-0"  
 CONFERENCE 124



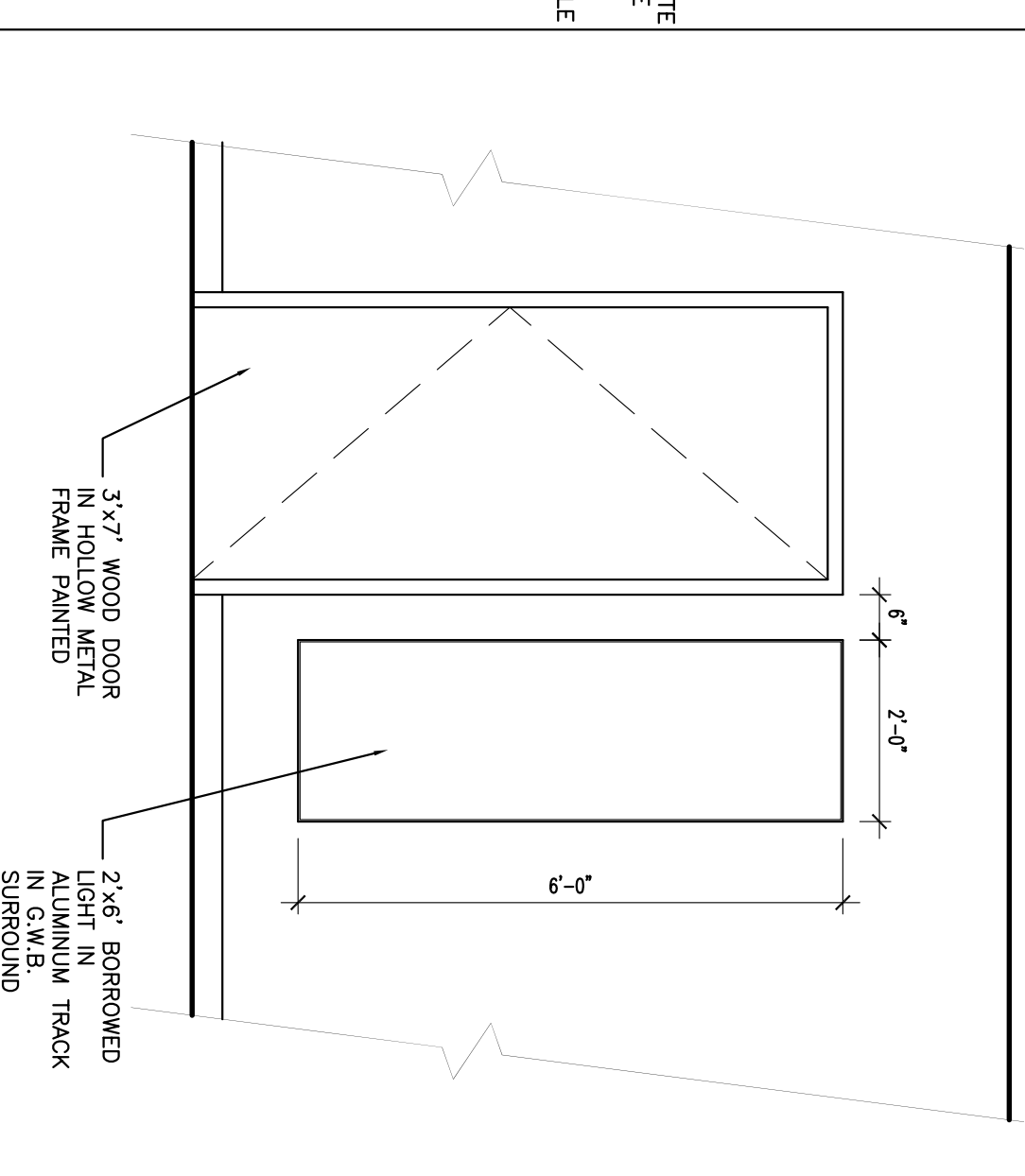
**A9 INTERIOR ELEVATION**

1/2"=1'-0"  
 CONFERENCE 124



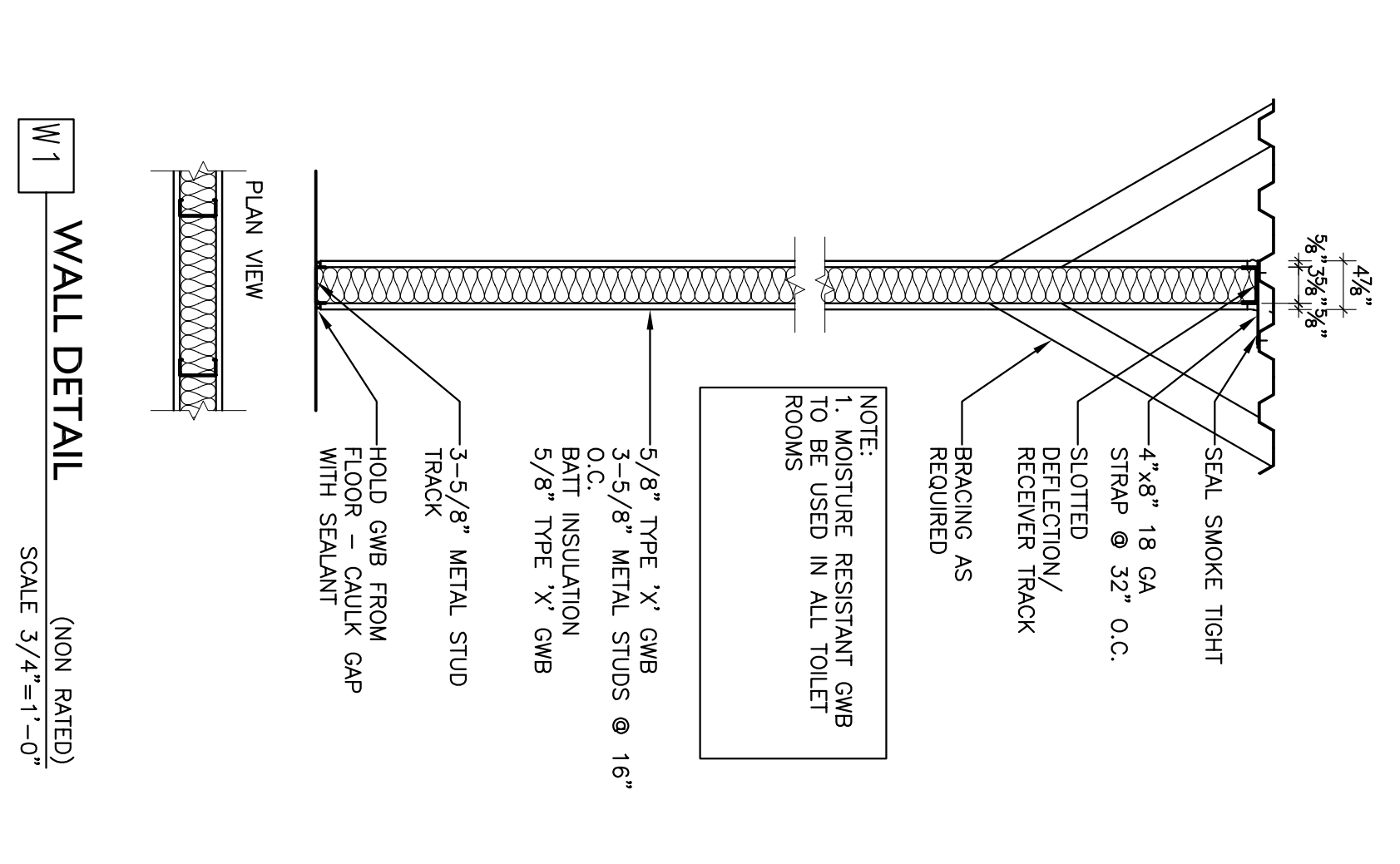
**A13 TYPICAL ELEVATION AT OFFICES A17**

1/2"=1'-0"



**W1 WALL TYPE**

3/4"=1'-0"



NOTE:  
 1. MOISTURE RESISTANT GWB TO BE USED IN ALL TOILET ROOMS

5/8" TYPE 'X' GWB  
 3-5/8" METAL STUDS @ 16" O.C.  
 BATT INSULATION  
 5/8" TYPE 'X' GWB

3-5/8" METAL STUD TRACK  
 HOLD GWB FROM FLOOR WITH SEALANT

W1 WALL DETAIL (NON RATED)  
 SCALE 3/4"=1'-0"