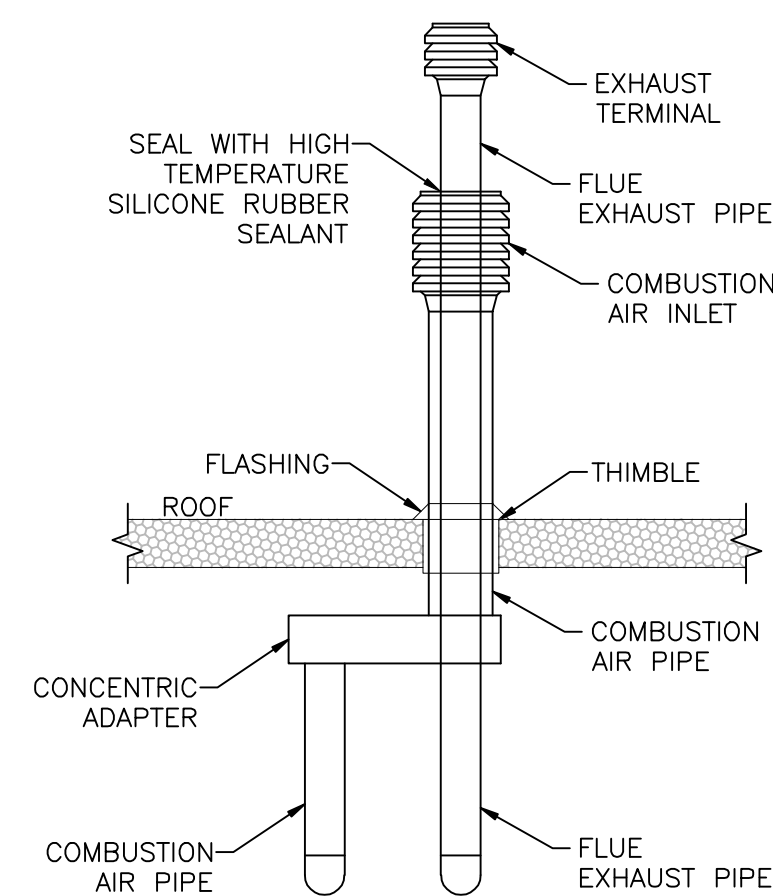


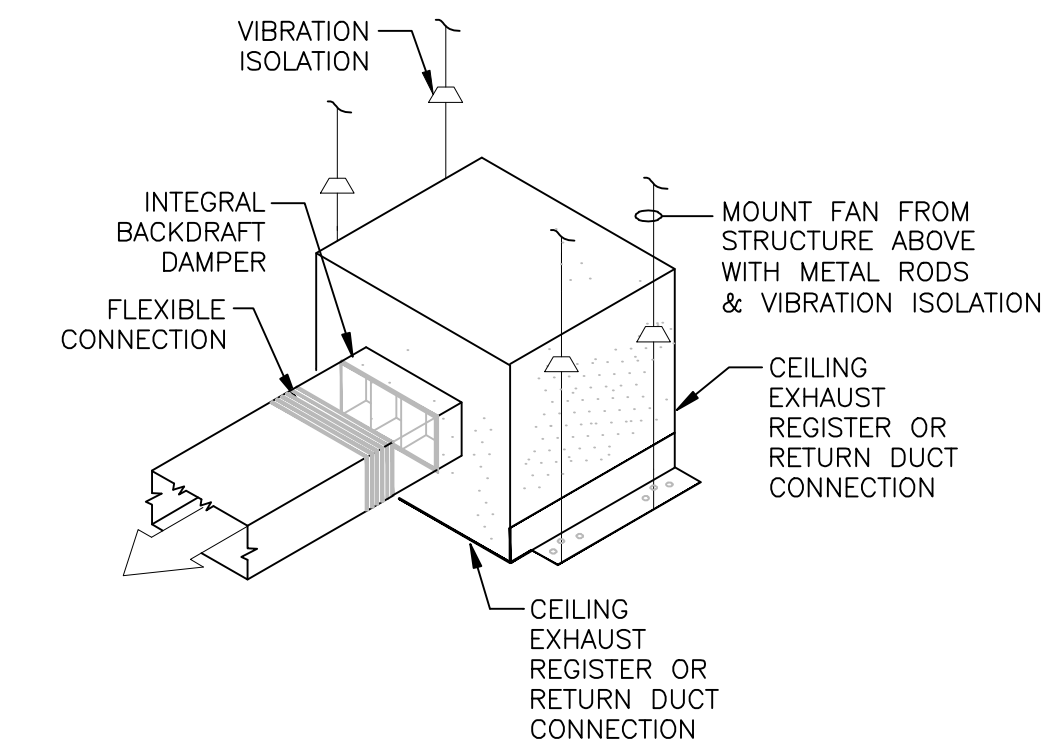
RTU INSTALLATION DETAIL

NTS



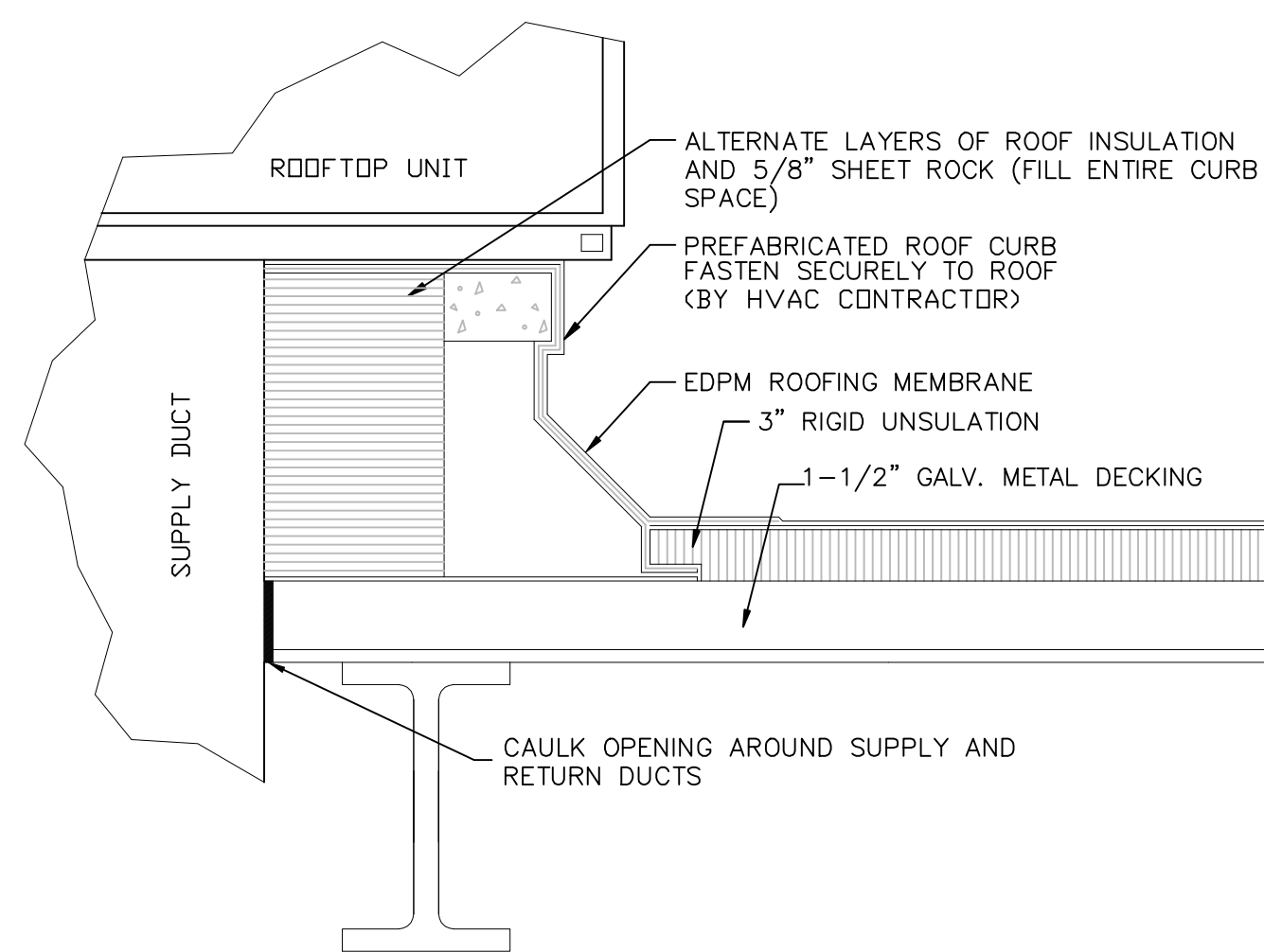
VERTICAL VENT/COMBUSTION AIR PIPES DETAIL

NTS



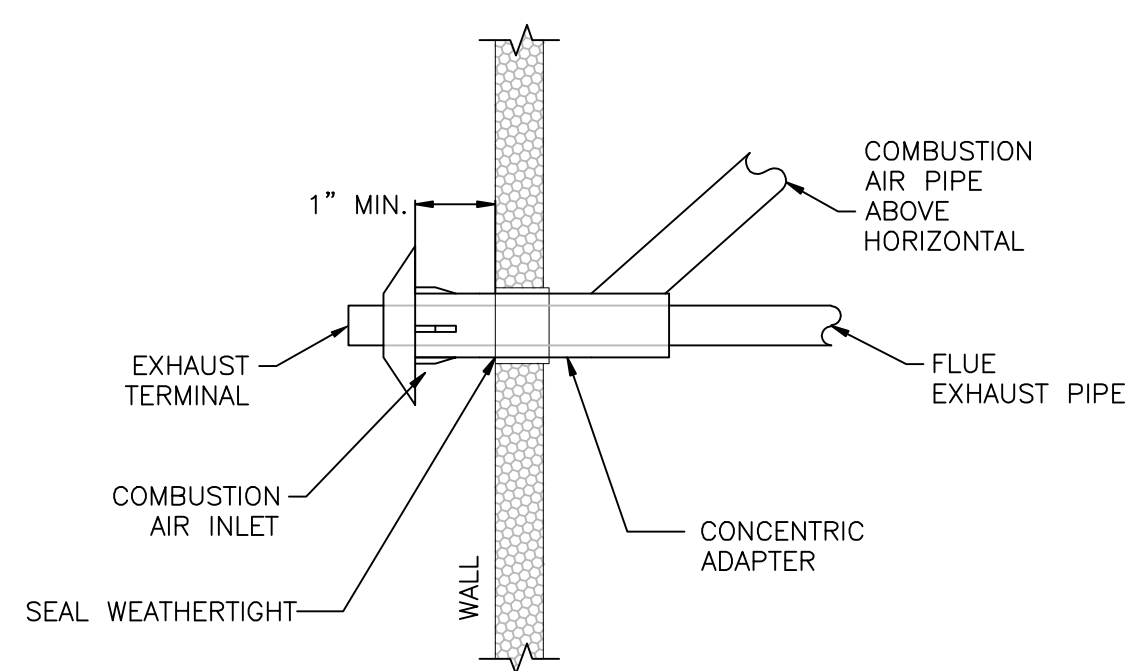
CEILING EXHAUST FAN DETAIL

NTS



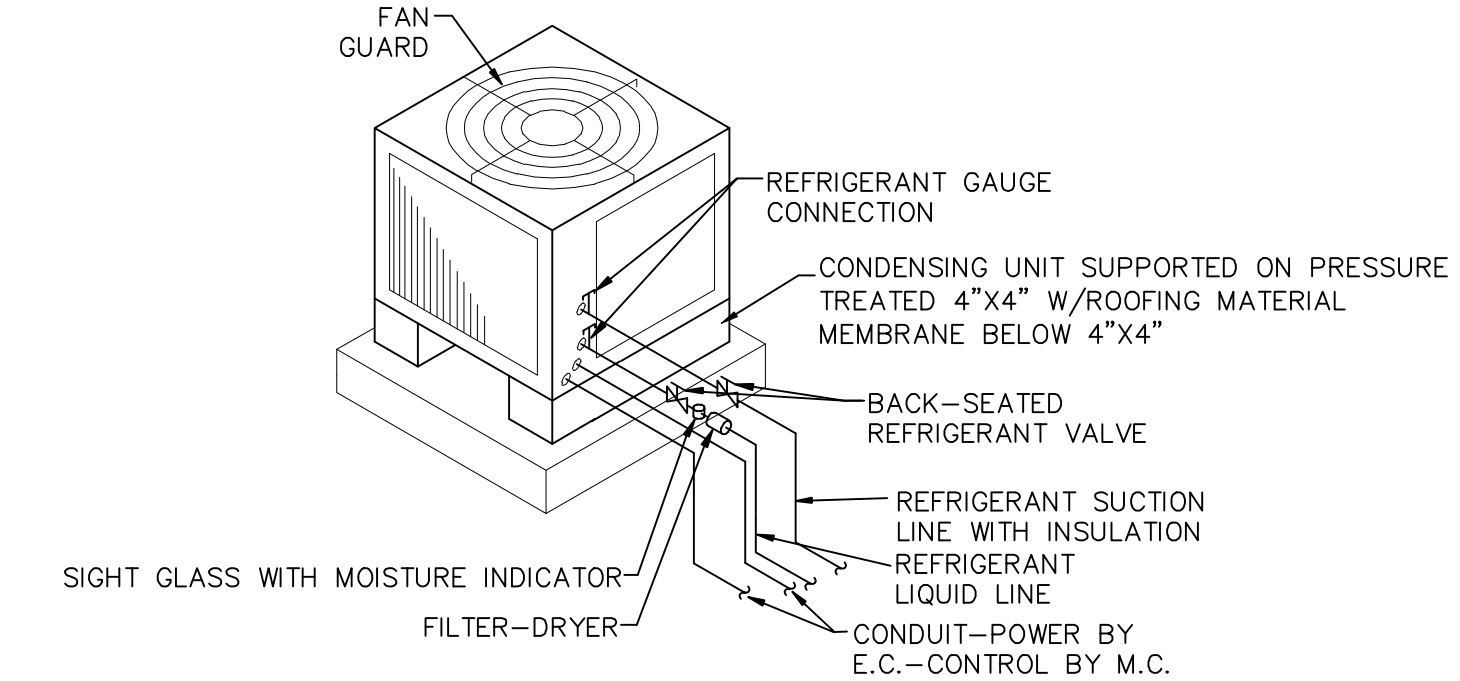
ROOF-TOP UNIT CURB DETAIL

NTS



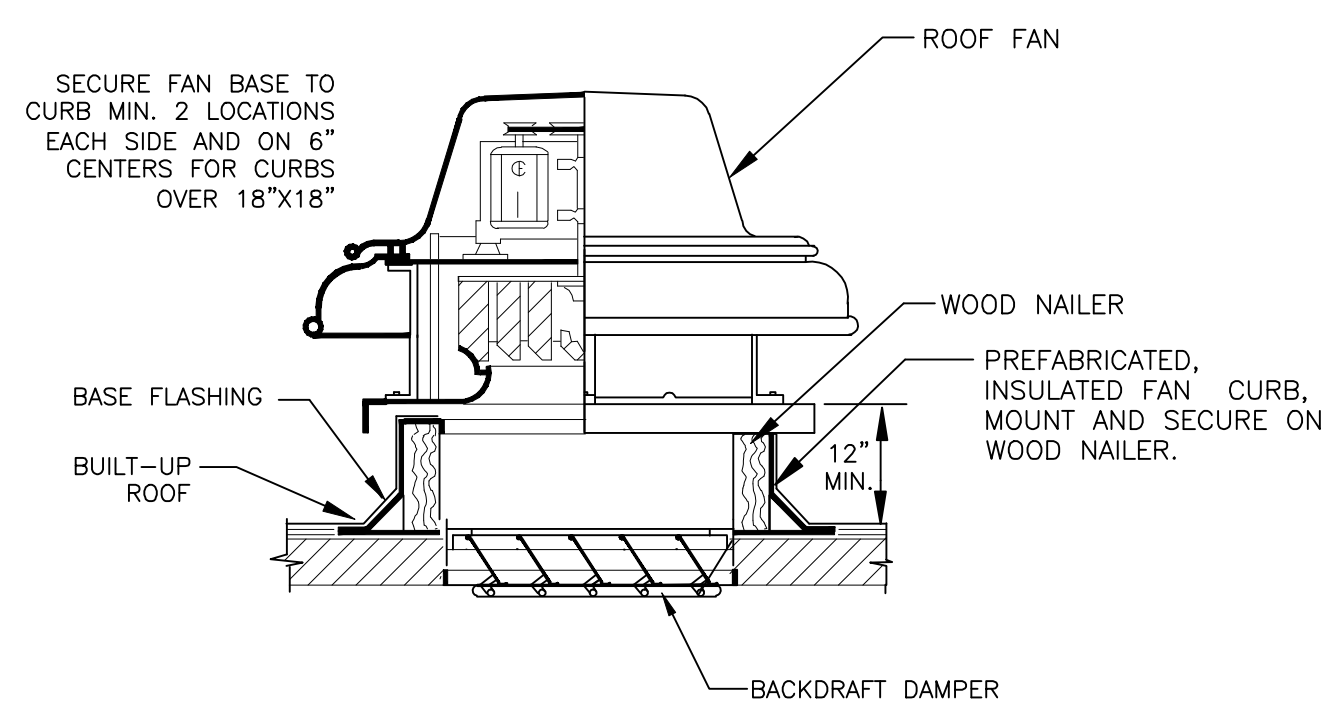
HORIZONTAL CONCENTRIC DETAIL

NTS



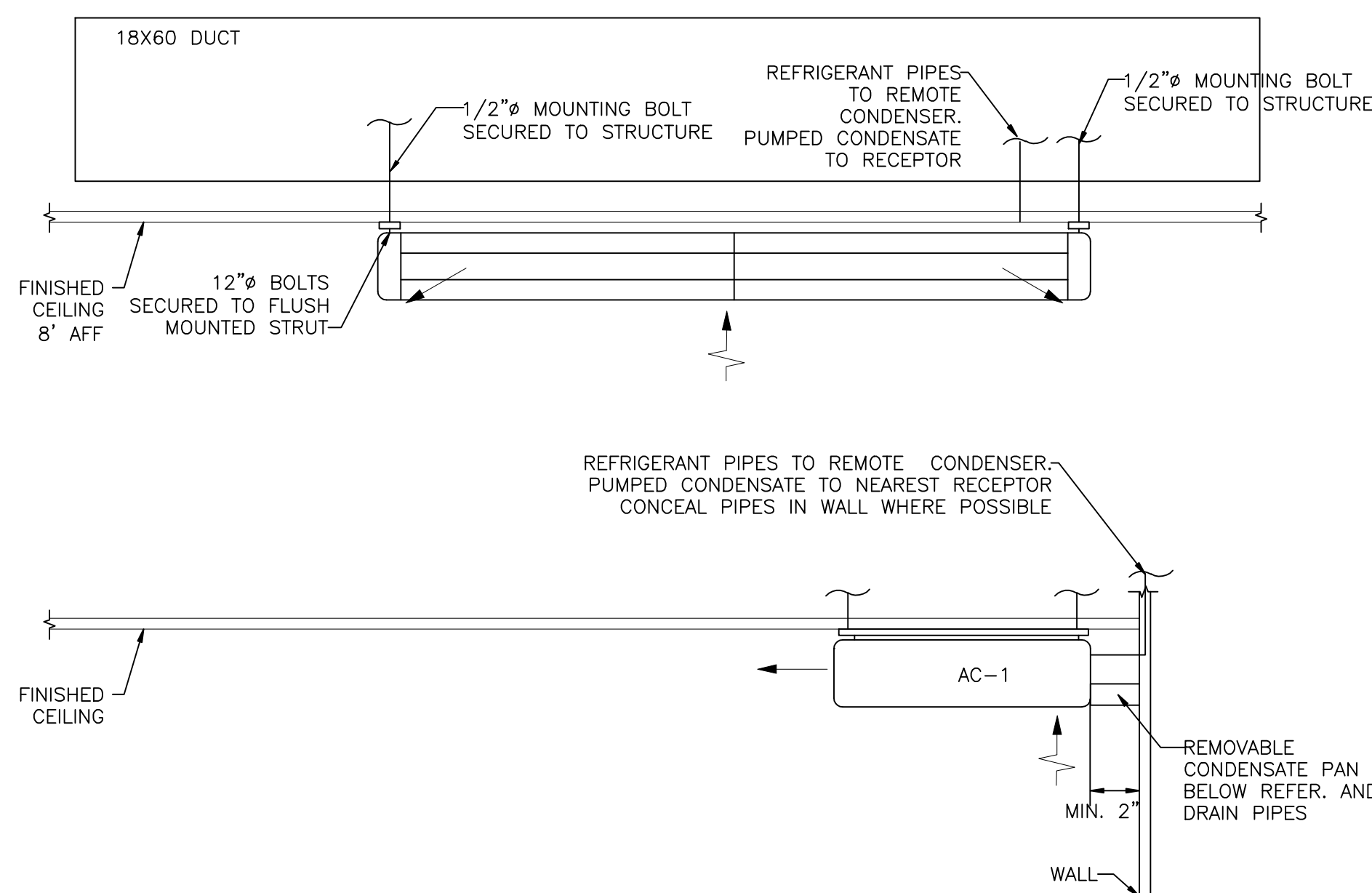
AIR COOLED CONDENSING UNIT MOUNTED ON ROOF

NTS



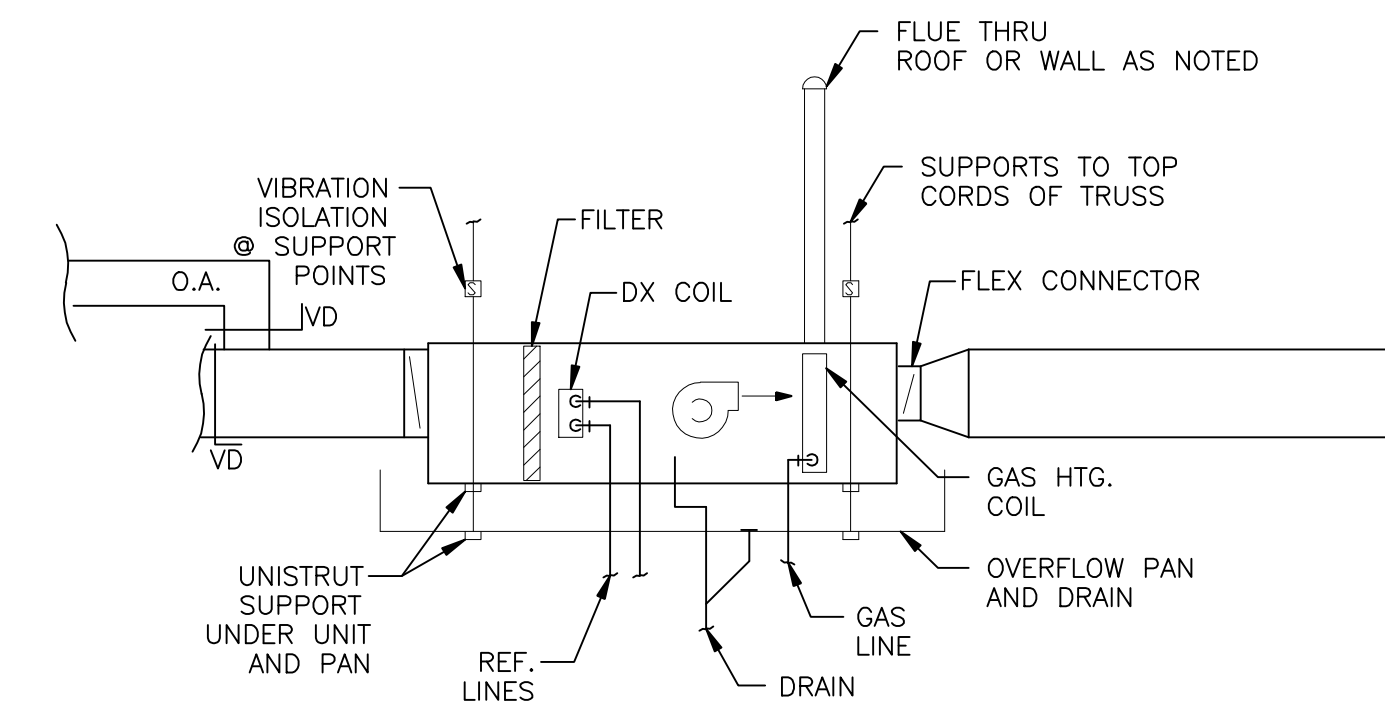
ROOF FAN MOUNTING DETAIL

NTS



CARRIER CEILING UNIT DETAIL

NTS



GAS AIR HANDLING UNIT DETAIL

NTS

AS BUILDS AS RECORDED BY ATLANTIC COMFORT SYSTEMS, INC.

INTEGRATED ENGINEERED SYSTEMS, INC.
 Δ MECH. DESIGN Δ ENERGY MGT. Δ INDOOR AIR QUALITY
 P.O. BOX 657 AUBURN, N.H. 03032
 Tel: (603) 625-1346 Fax: (603) 625-8466

Atlantic Comfort Systems, Inc.
 PO BOX 665-392 HILL STREET
 BIDDEFORD, MAINE 04005
 PHONE: (207) 284-6360
 FAX: (207) 284-6377

CUSTOM HOUSE SQUARE
 300 FORE STREET
 PORTLAND, MAINE
 HVAC DETAILS

P.E.: JK D.B.: CPC
 PROJECT #: J493
 ISSUE DATE: SEPT. 19, 2007

M4.0