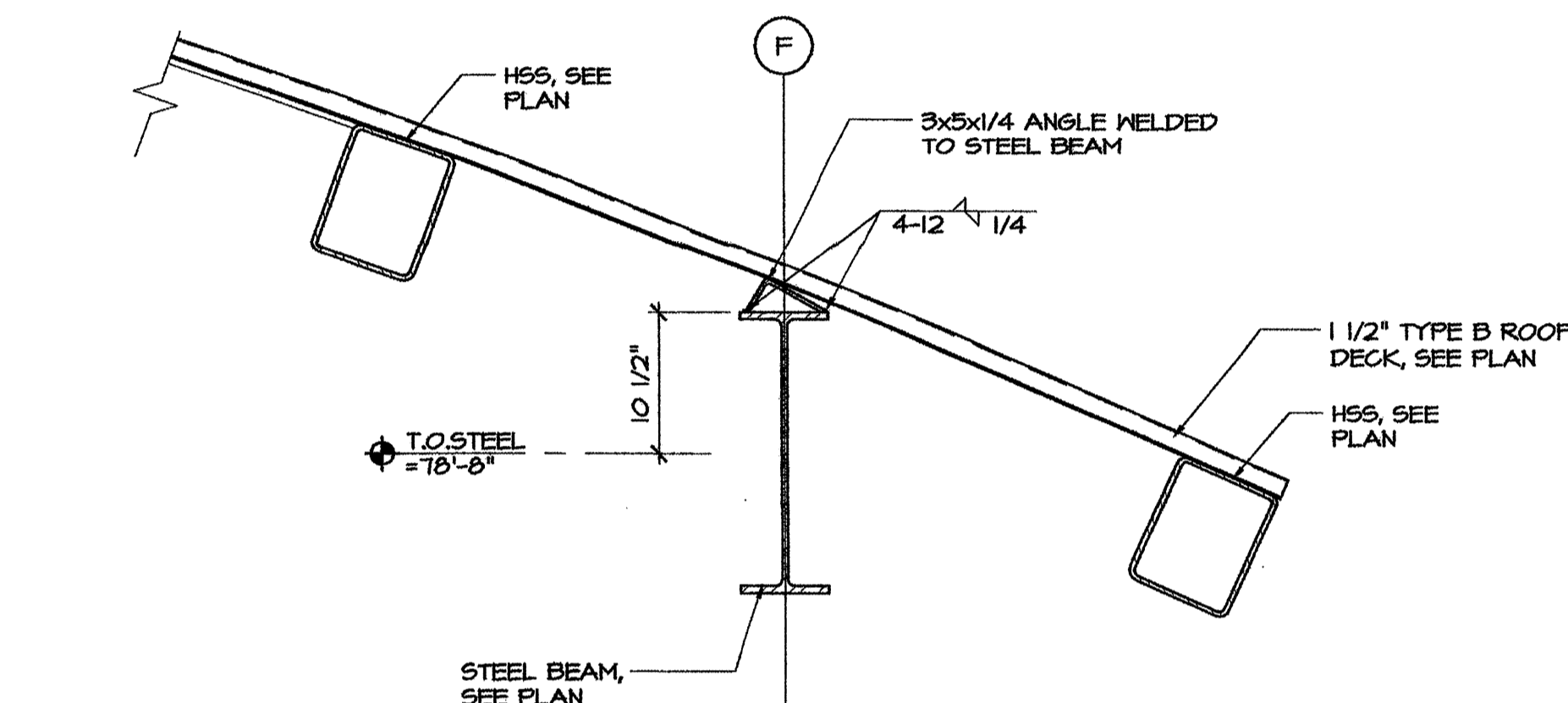
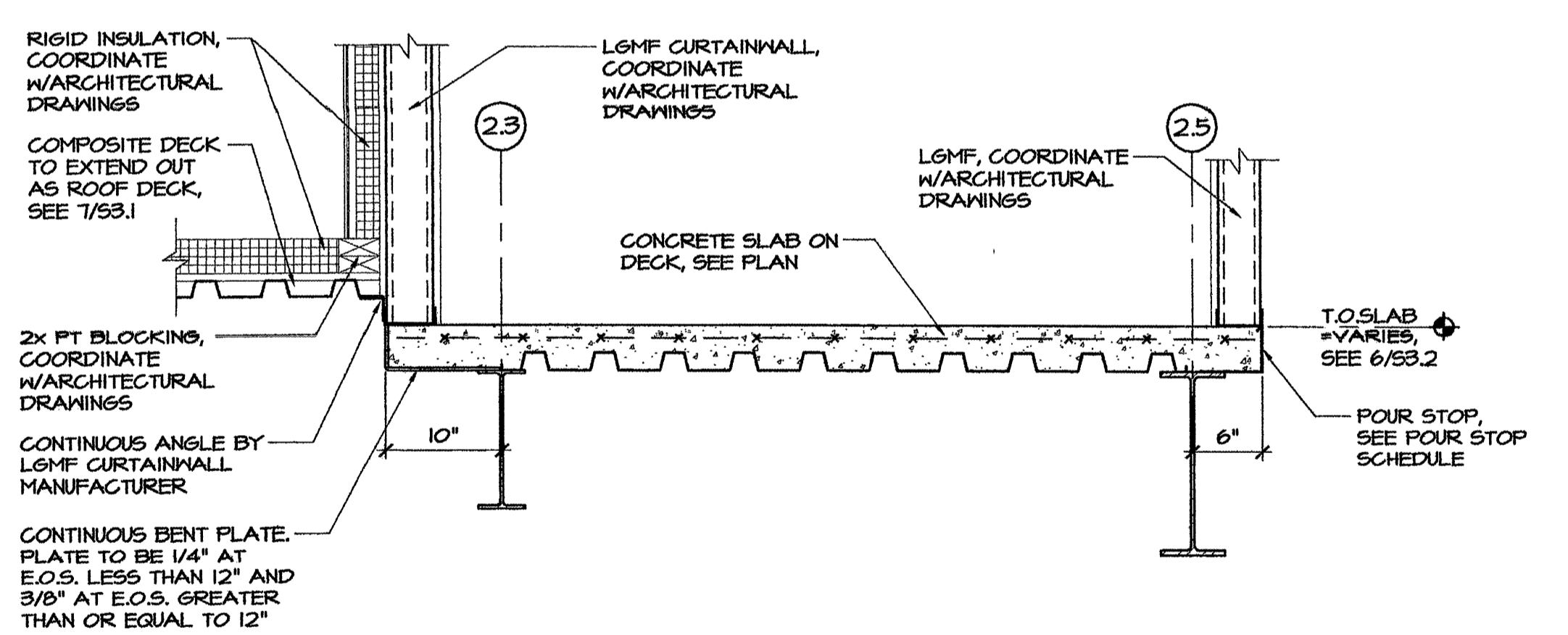


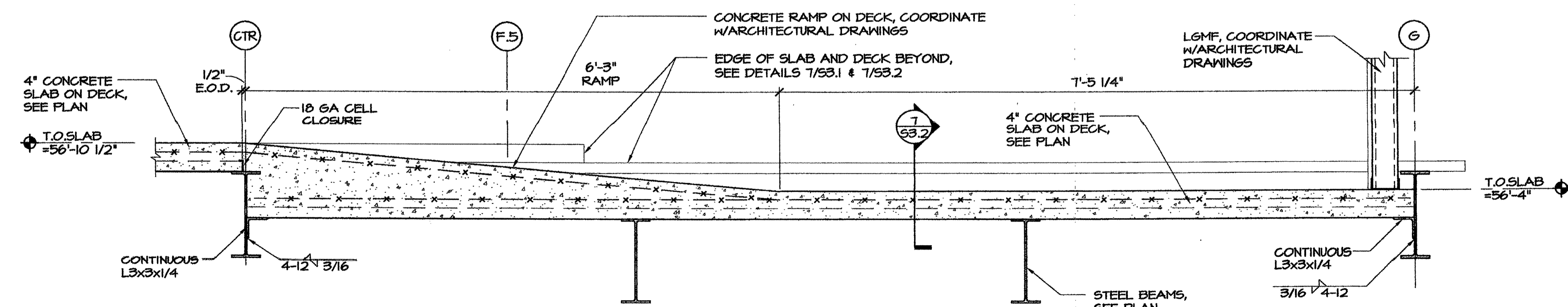
9 STEEL DETAIL @ CURVED ROOF
SCALE: 1" = 1'-0"



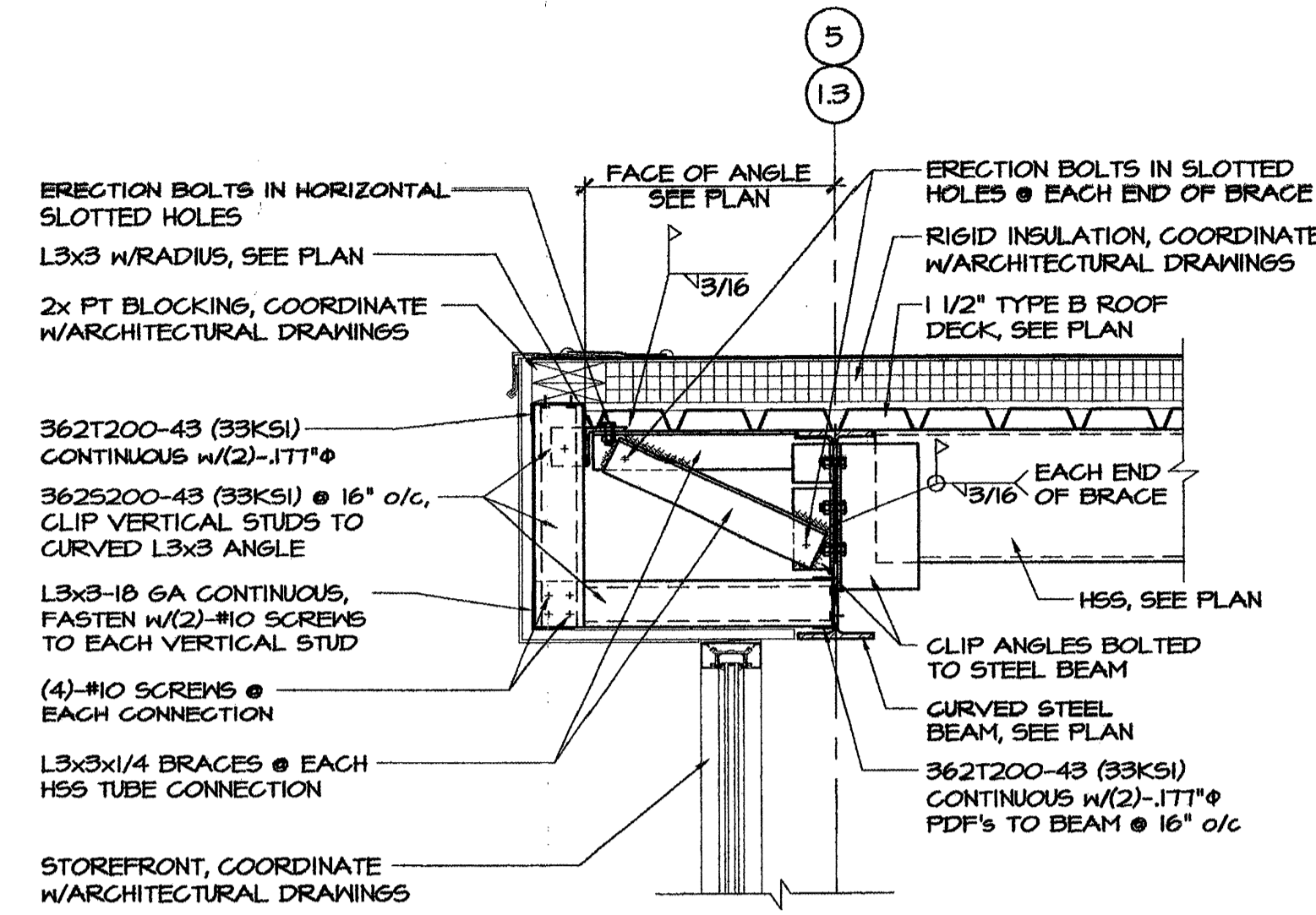
8 STEEL DETAIL @ CURVED ROOF
SCALE: 1" = 1'-0"



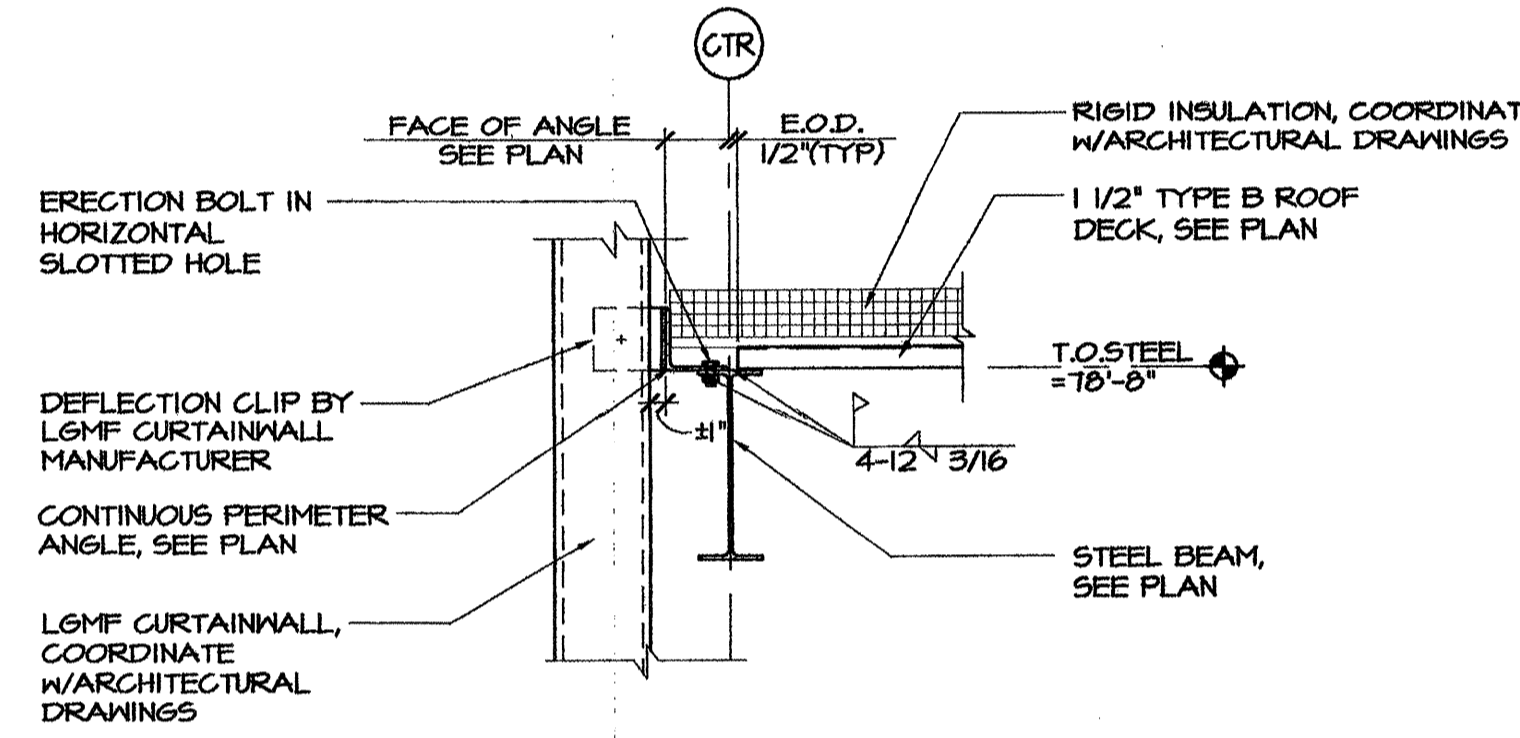
7 FOURTH FLOOR RAMP DETAIL
SCALE: 1" = 1'-0"



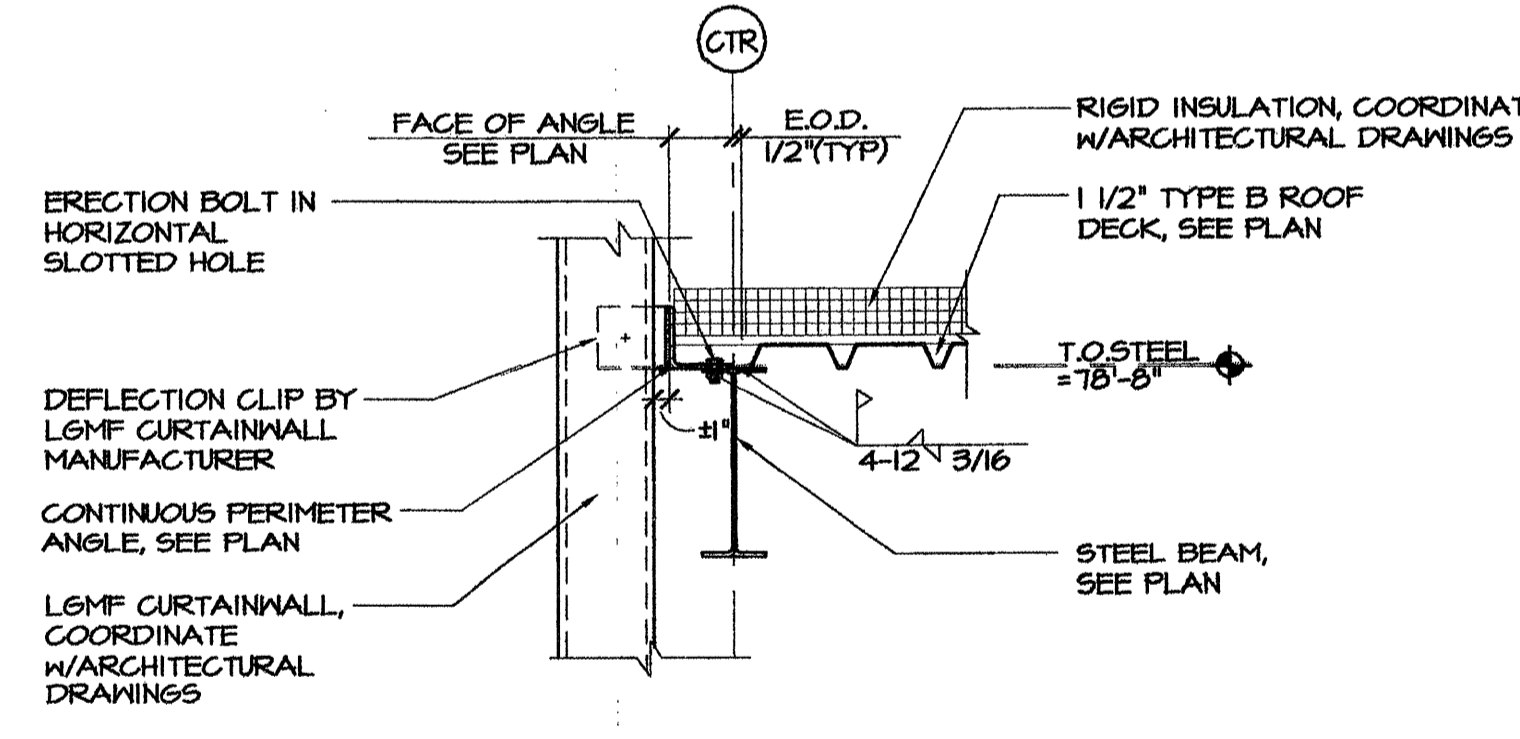
6 FOURTH FLOOR RAMP DETAIL
SCALE: 1" = 1'-0"



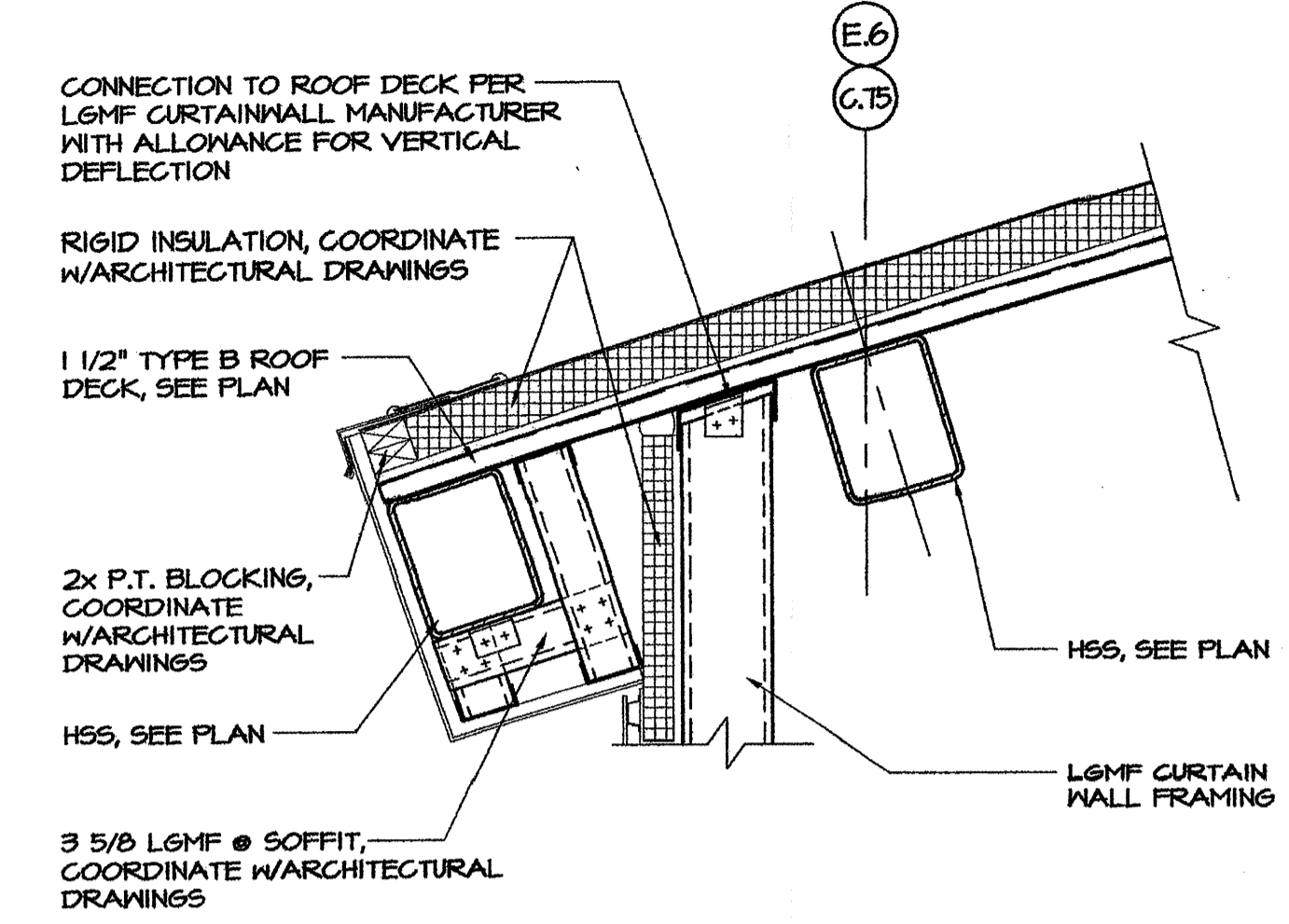
3 DETAIL @ CURVED ROOF
SCALE: 1" = 1'-0"



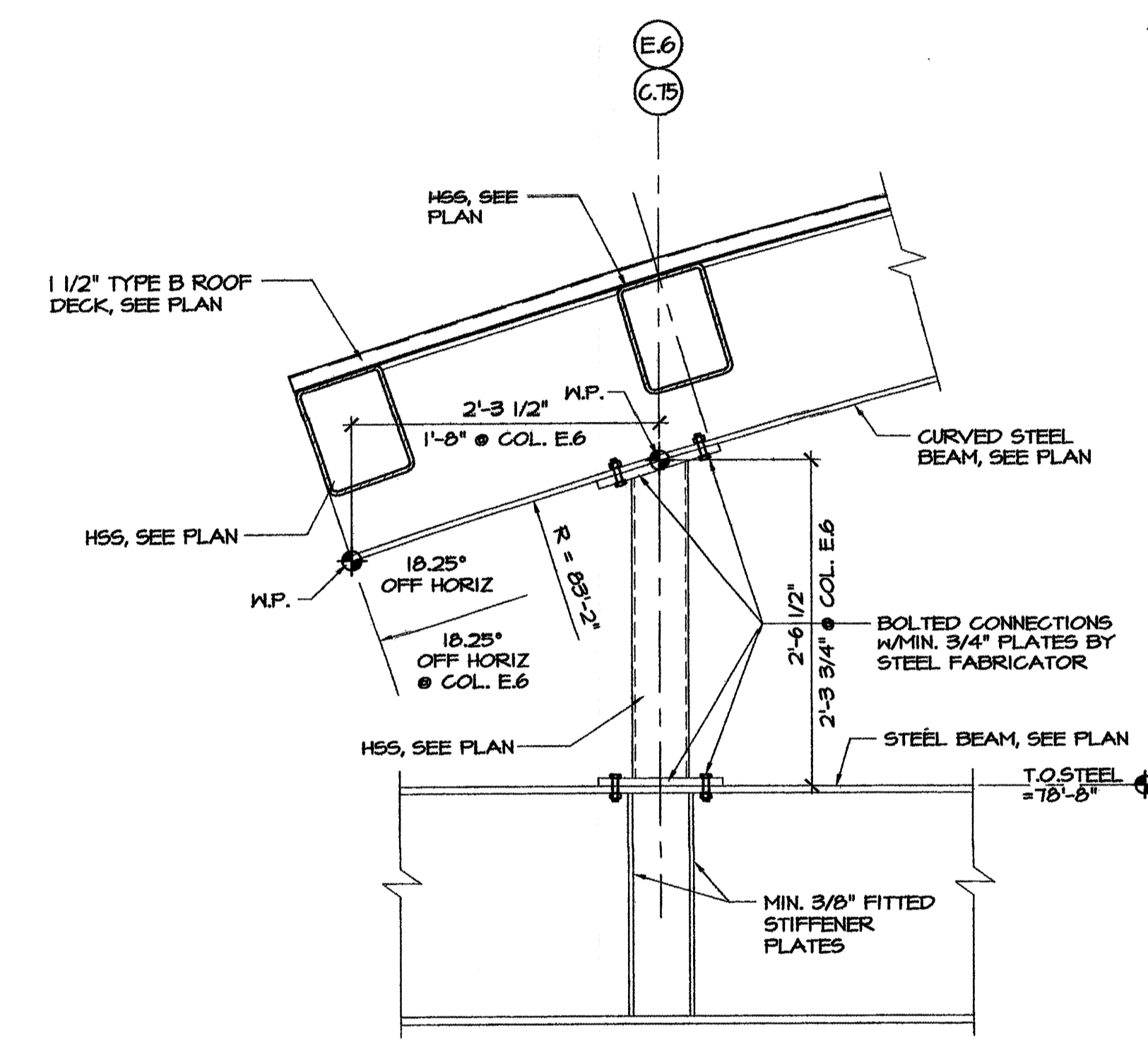
4 ROOF EDGE DETAIL
SCALE: 1" = 1'-0"



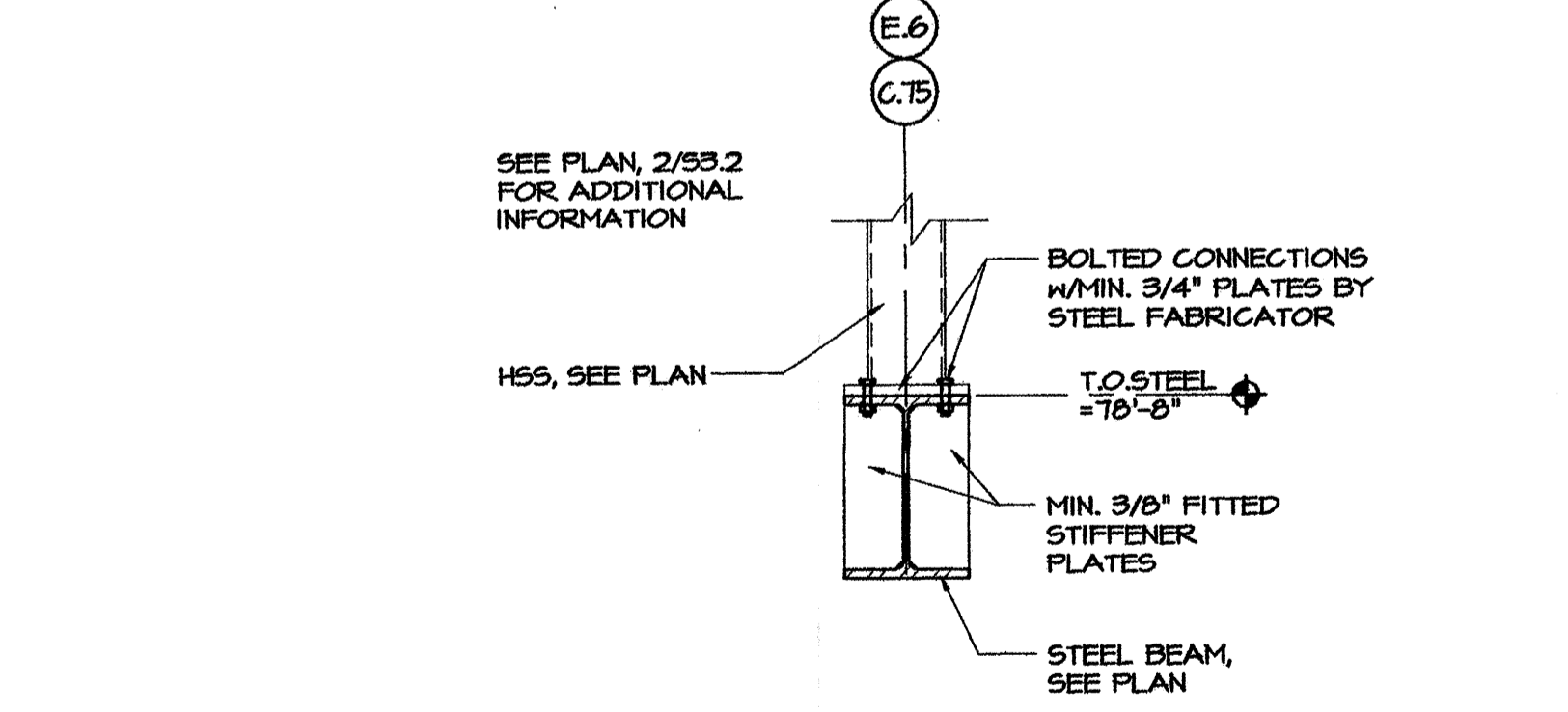
5 ROOF EDGE DETAIL
SCALE: 1" = 1'-0"



1 DETAIL @ CURVED ROOF
SCALE: 1" = 1'-0"



2 STEEL DETAIL @ CURVED ROOF
SCALE: 1" = 1'-0"



2A STEEL DETAIL @ CURVED ROOF
SCALE: 1" = 1'-0"

NOT FOR CONSTRUCTION
05/26/06