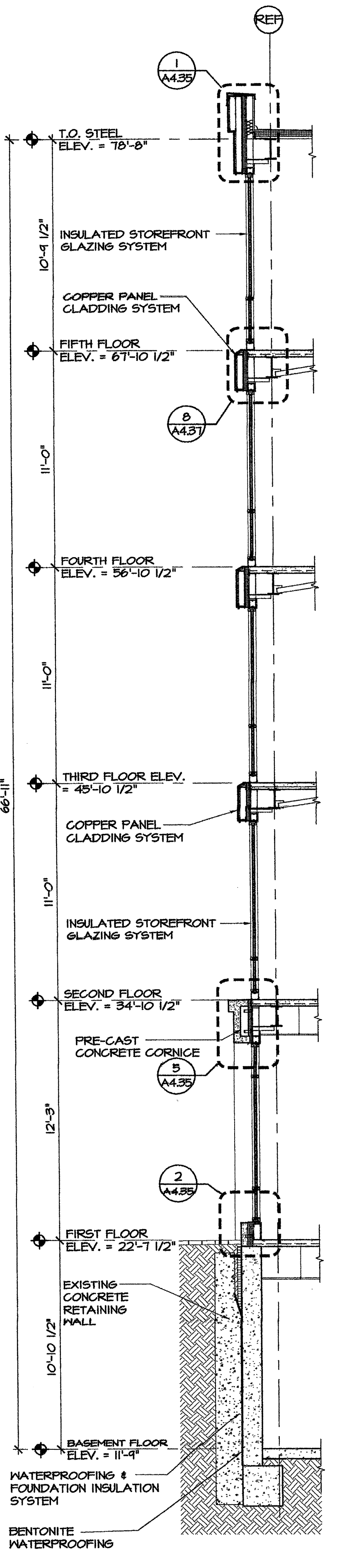
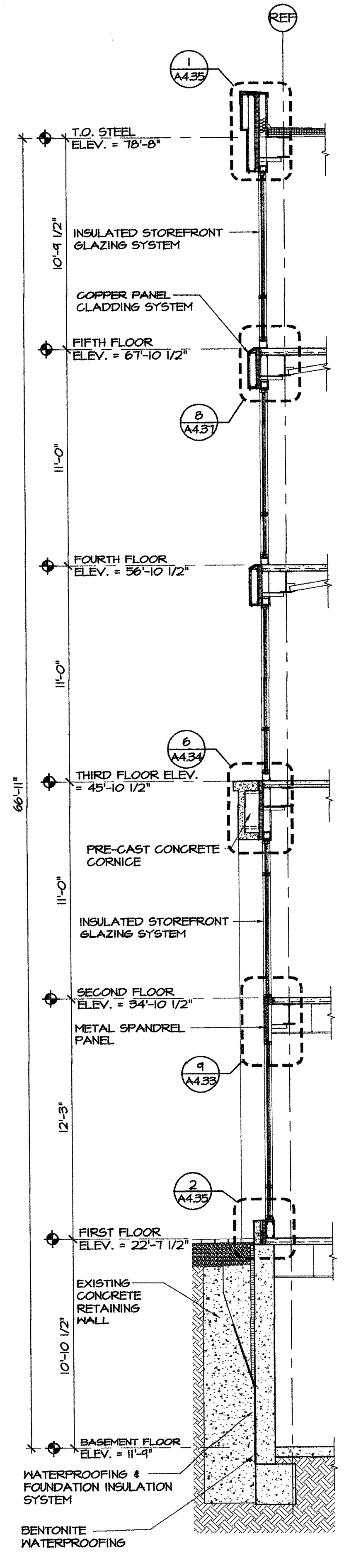


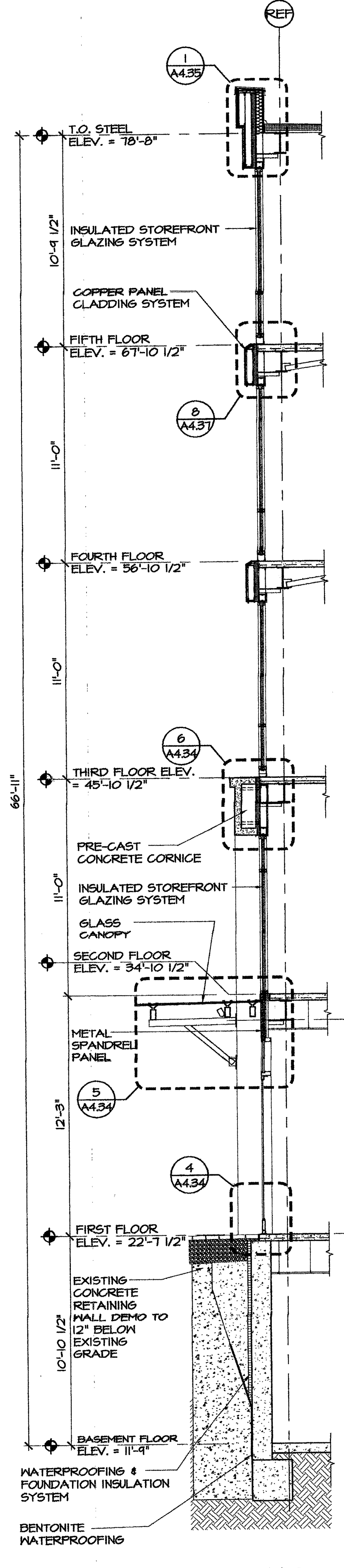
6 WALL SECTION
SCALE: 1/4" = 1'-0"



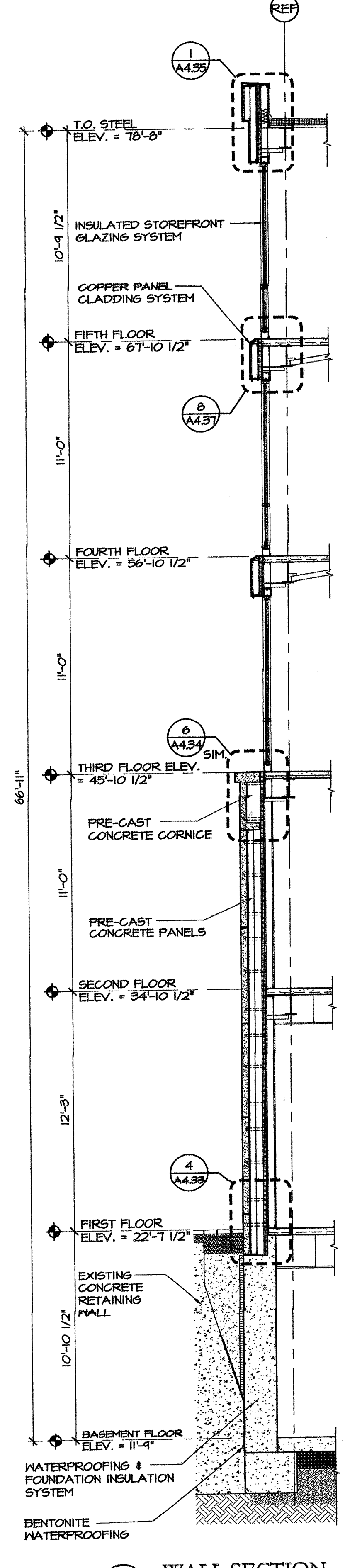
5 WALL SECTION
SCALE: 1/4" = 1'-0"



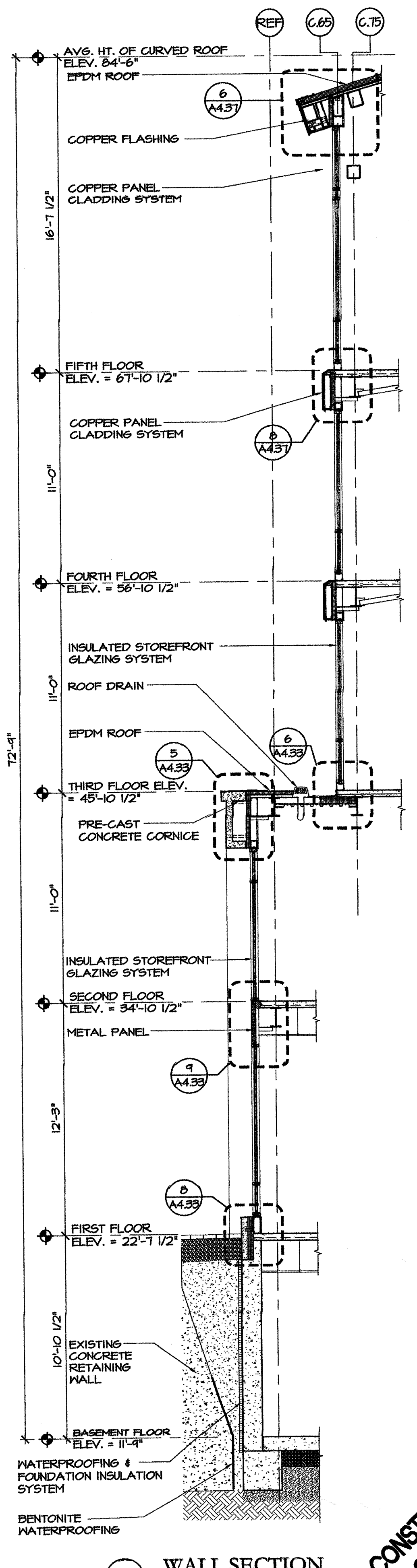
4 WALL SECTION
SCALE: 1/4" = 1'-0"



3 WALL SECTION
SCALE: 1/4" = 1'-0"



2 WALL SECTION
SCALE: 1/4" = 1'-0"



1 WALL SECTION
SCALE: 1/4" = 1'-0"

NOT FOR CONSTRUCTION
05/26/06