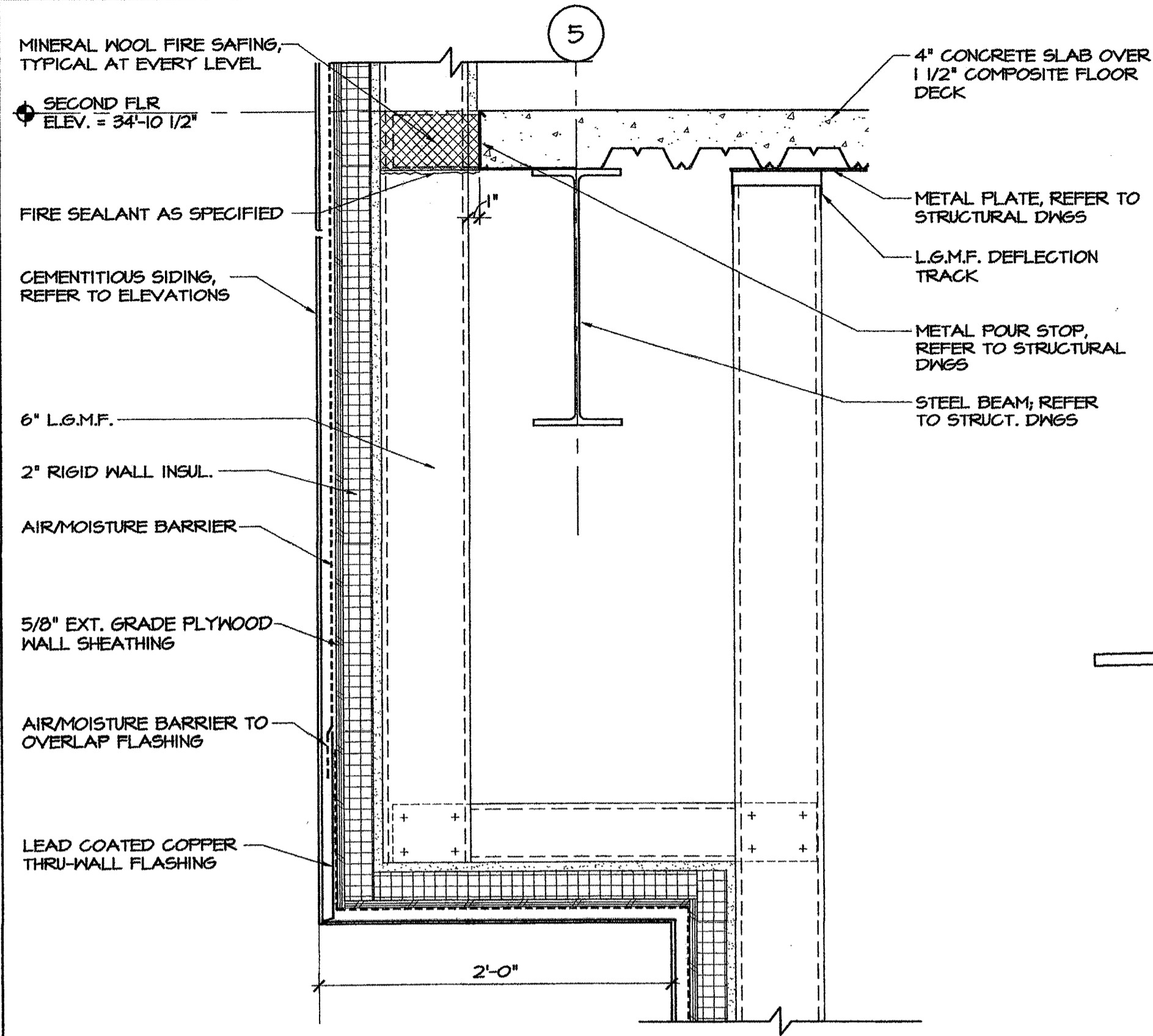
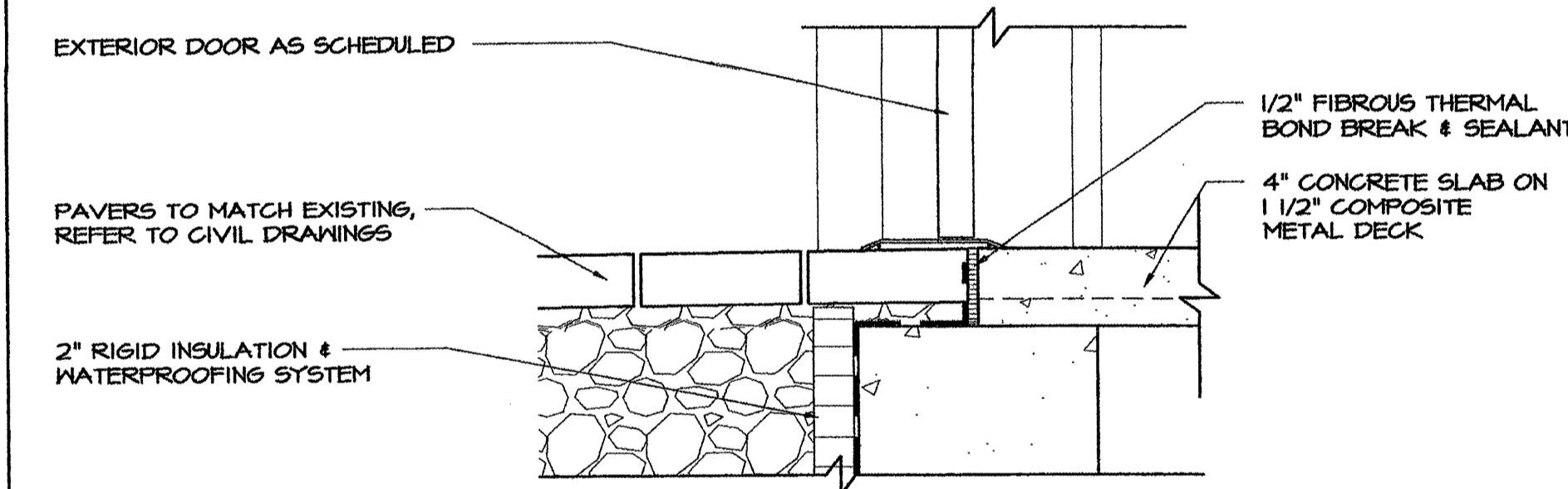


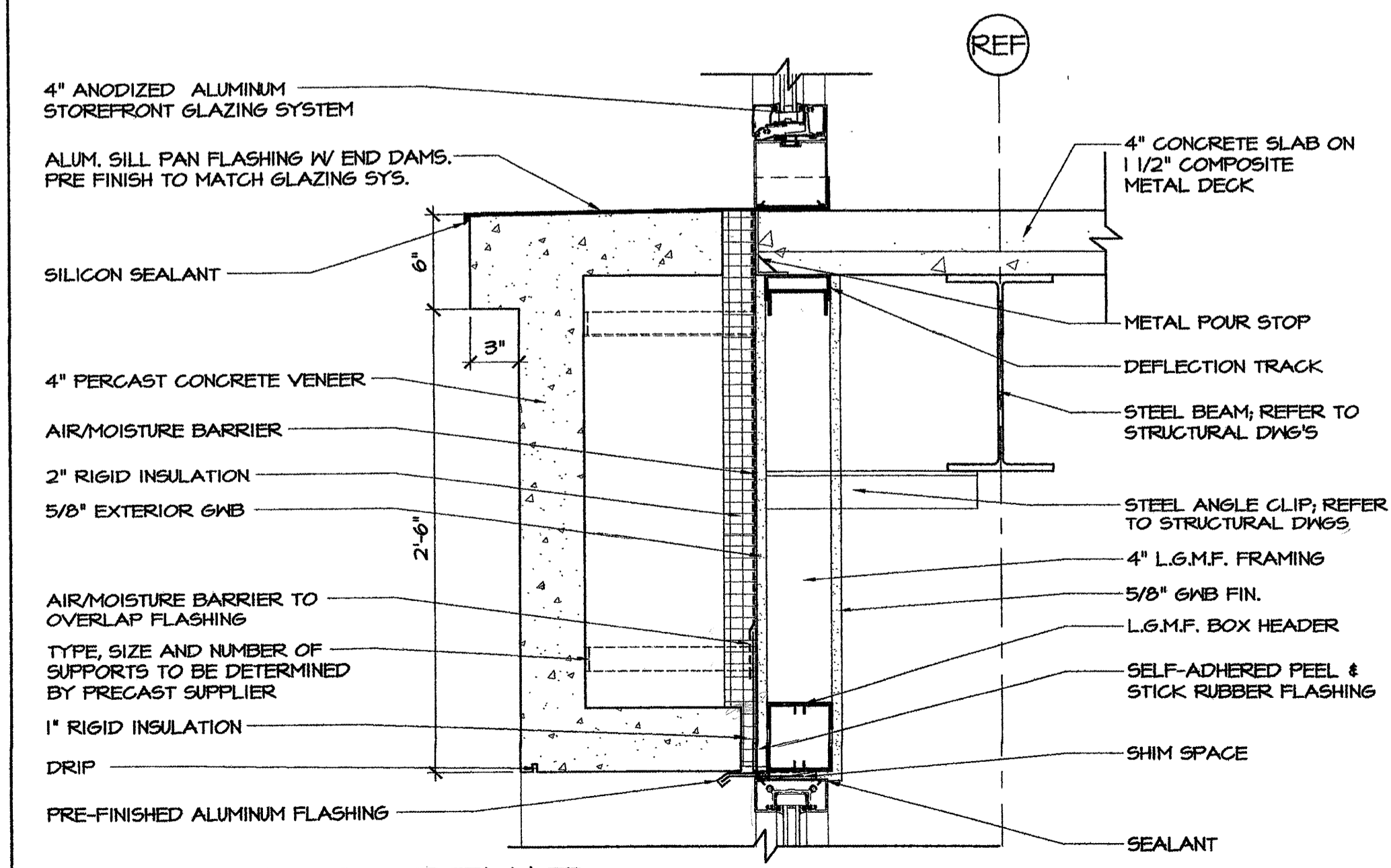
sheet - Wed, 07 Jun 2006 - 11:11pm



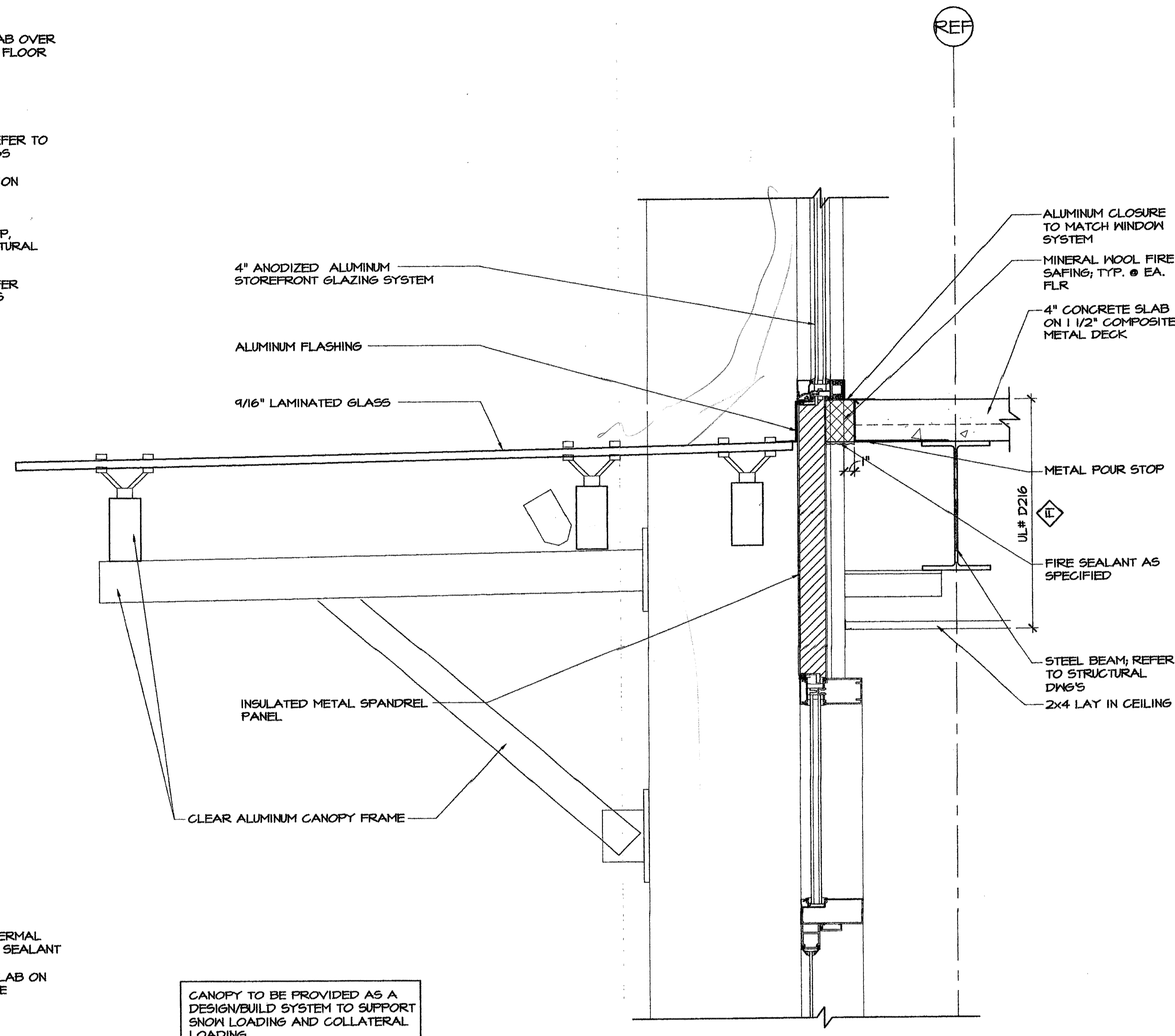
8 SECTION DETAIL @ ALCOVE
SCALE: 1 1/2" = 1'-0"



7 SECTION DETAIL @ EXTERIOR DOOR
SCALE: 1 1/2" = 1'-0"

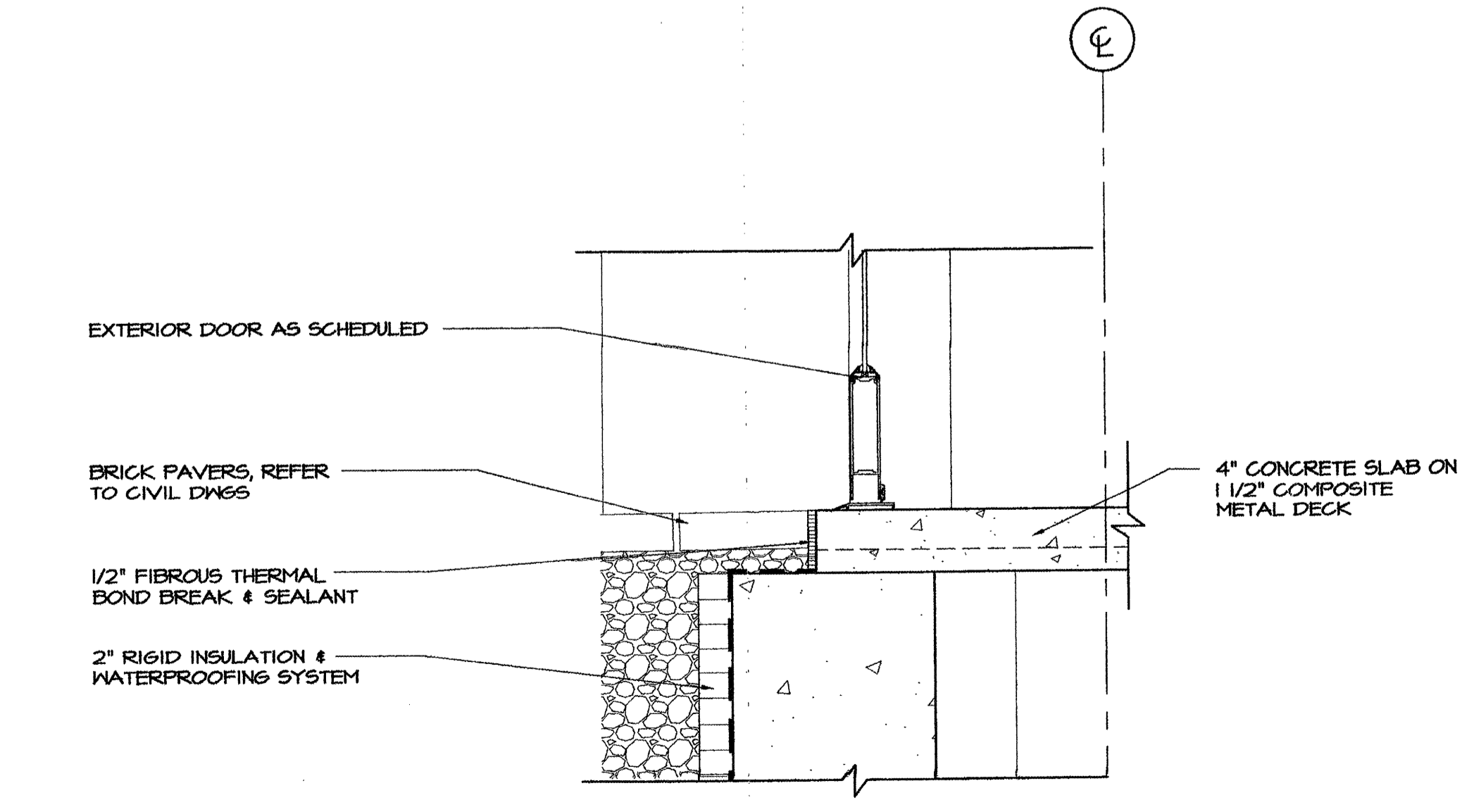


6 SECTION DETAIL
SCALE: 1 1/2" = 1'-0"



CANOPY TO BE PROVIDED AS A DESIGN/BUILD SYSTEM TO SUPPORT SNOW LOADING AND COLLATERAL LOADING

5 SECTION DETAIL
SCALE: 1 1/2" = 1'-0"



4 SECTION DETAIL
SCALE: 1 1/2" = 1'-0"

3 NOT USED
SCALE: 1 1/2" = 1'-0"

2 NOT USED
SCALE: 1 1/2" = 1'-0"

1 NOT USED
SCALE: 1 1/2" = 1'-0"

ISSUE 05/26/06 ISSUED FOR PRICING

CUSTOM HOUSE SQUARE
300 FORE STREET
PORTLAND, MAINE
SECTION DETAILS

PROJECT ARCHITECT:
MW
DRAWN BY:
BR, SO
PROJECT #:
300506

A4.34

NOT FOR CONSTRUCTION
05/26/06

G:\Prod\Year 2005\300506_Custom_House_Square\DWG\0506A4.34.dwg