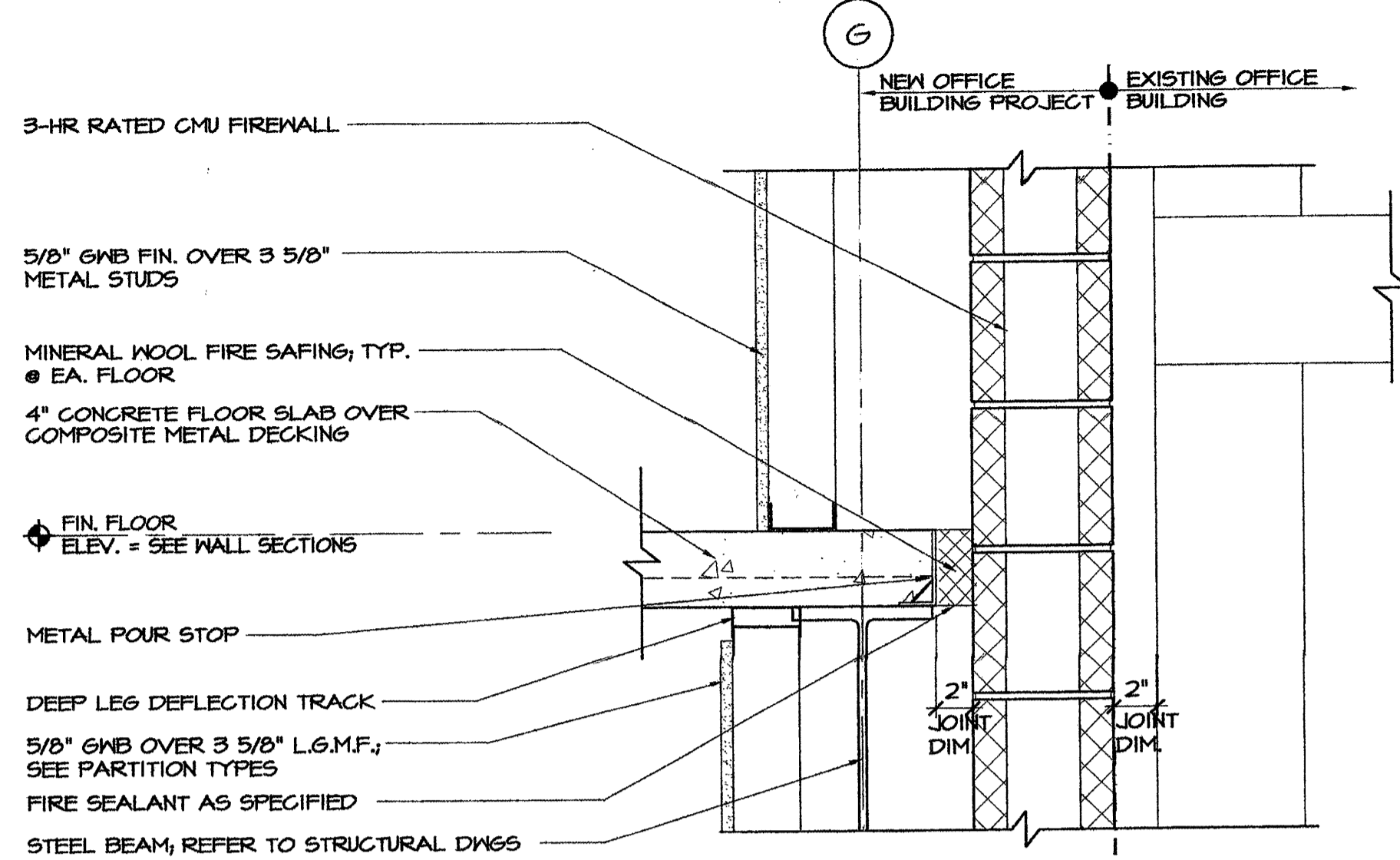
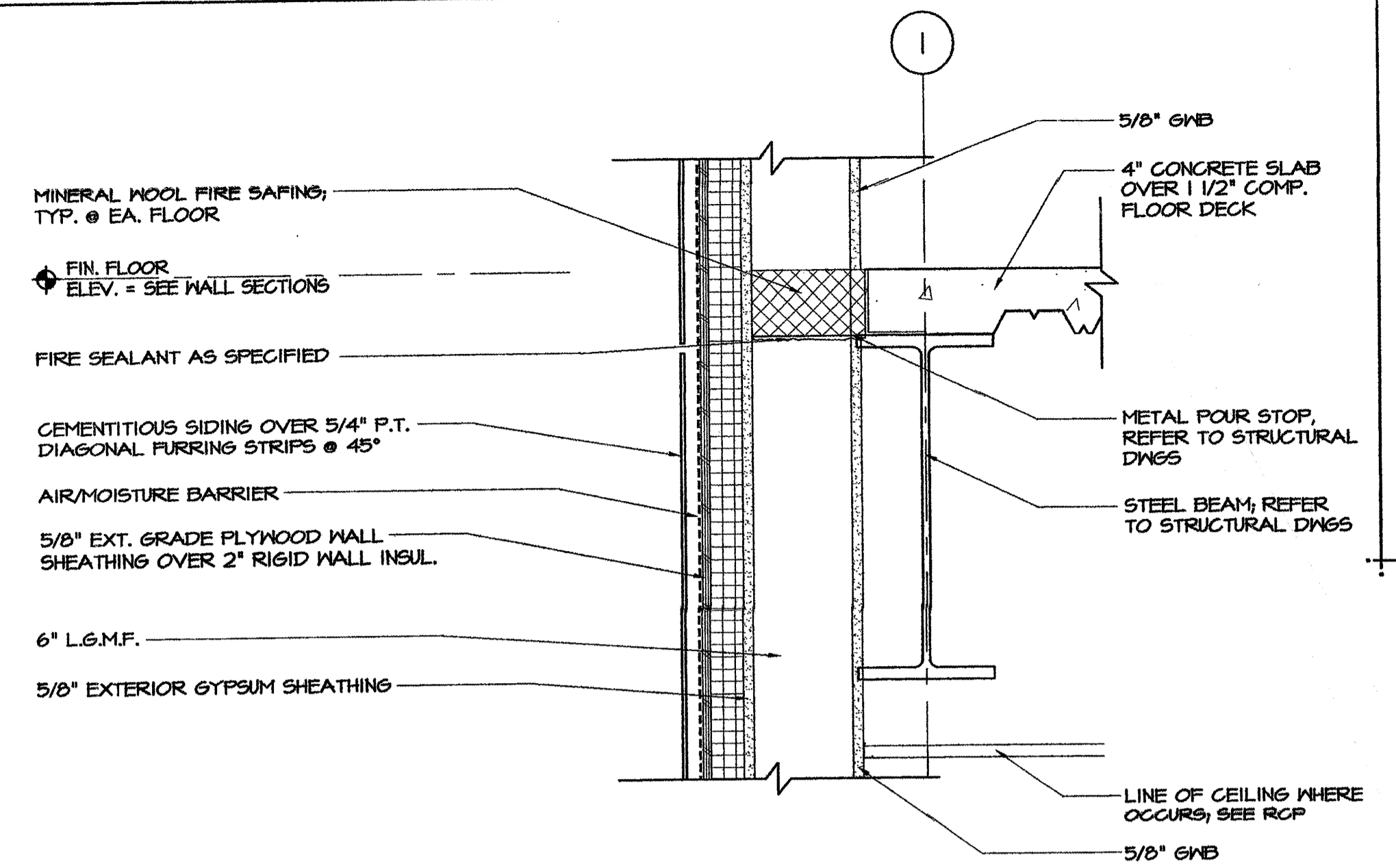


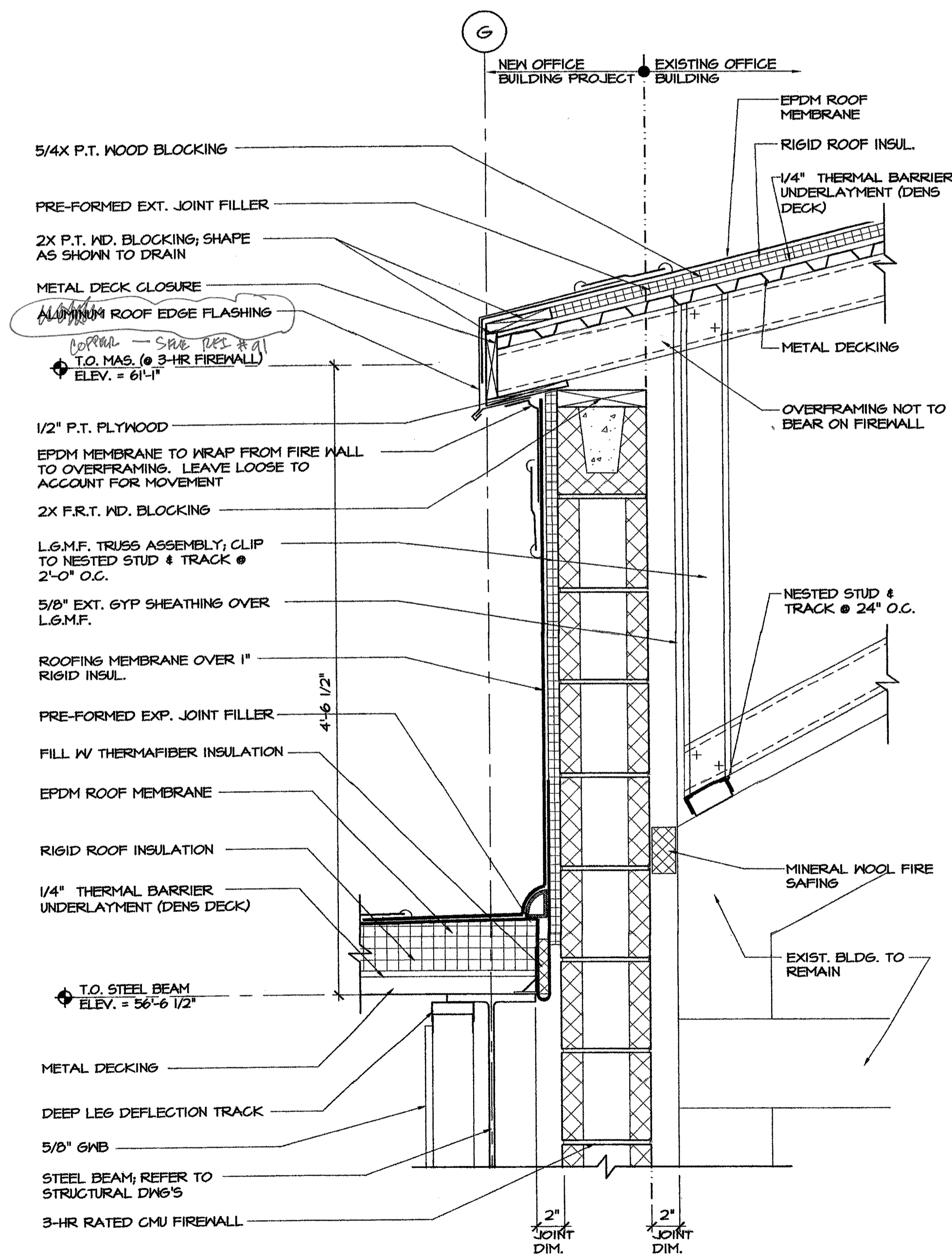
7 SECTION DETAIL @ 4TH FLOOR
SCALE: 1 1/2" = 1'-0"



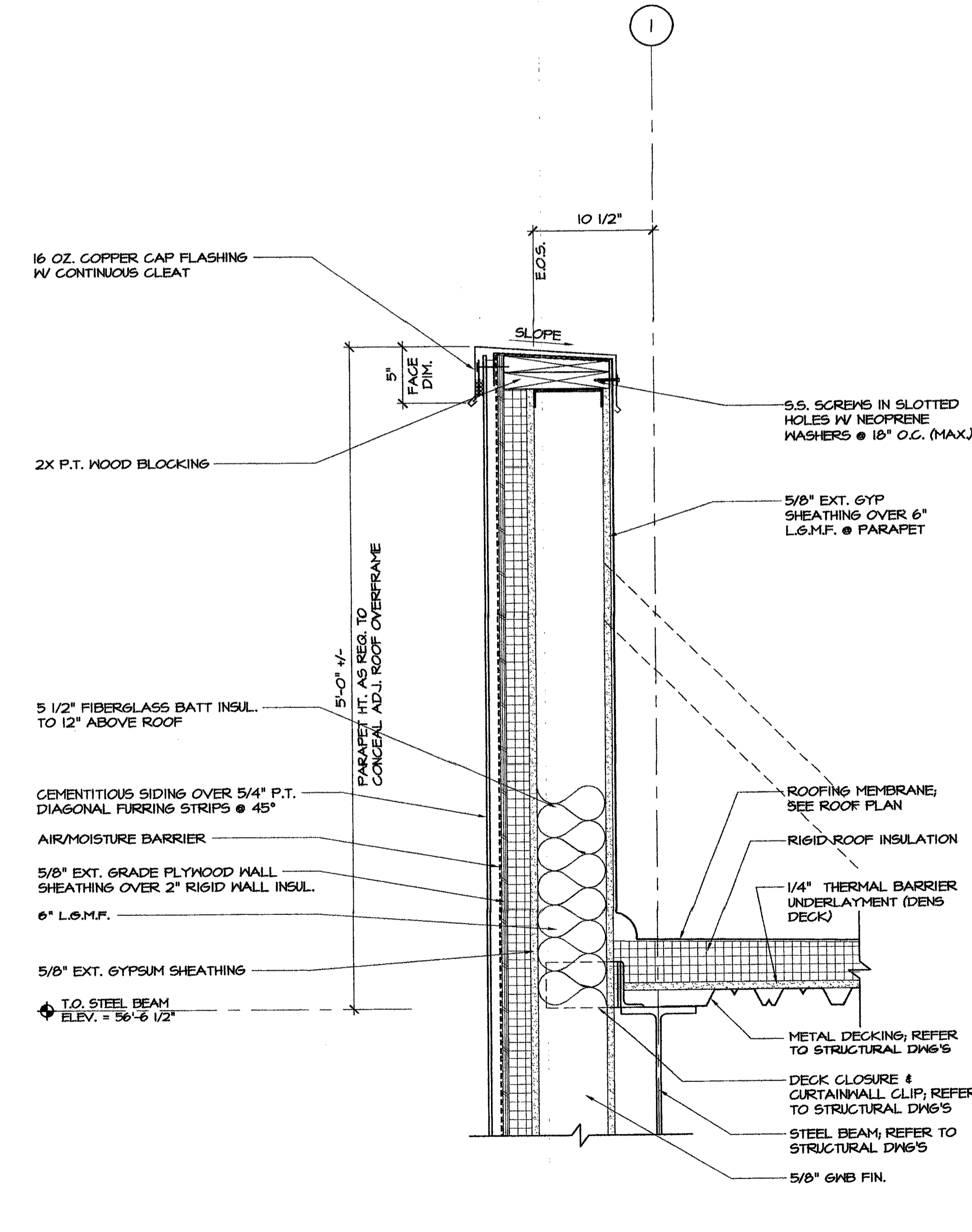
5 SECTION DETAIL @ FIREWALL
SCALE: 1 1/2" = 1'-0"



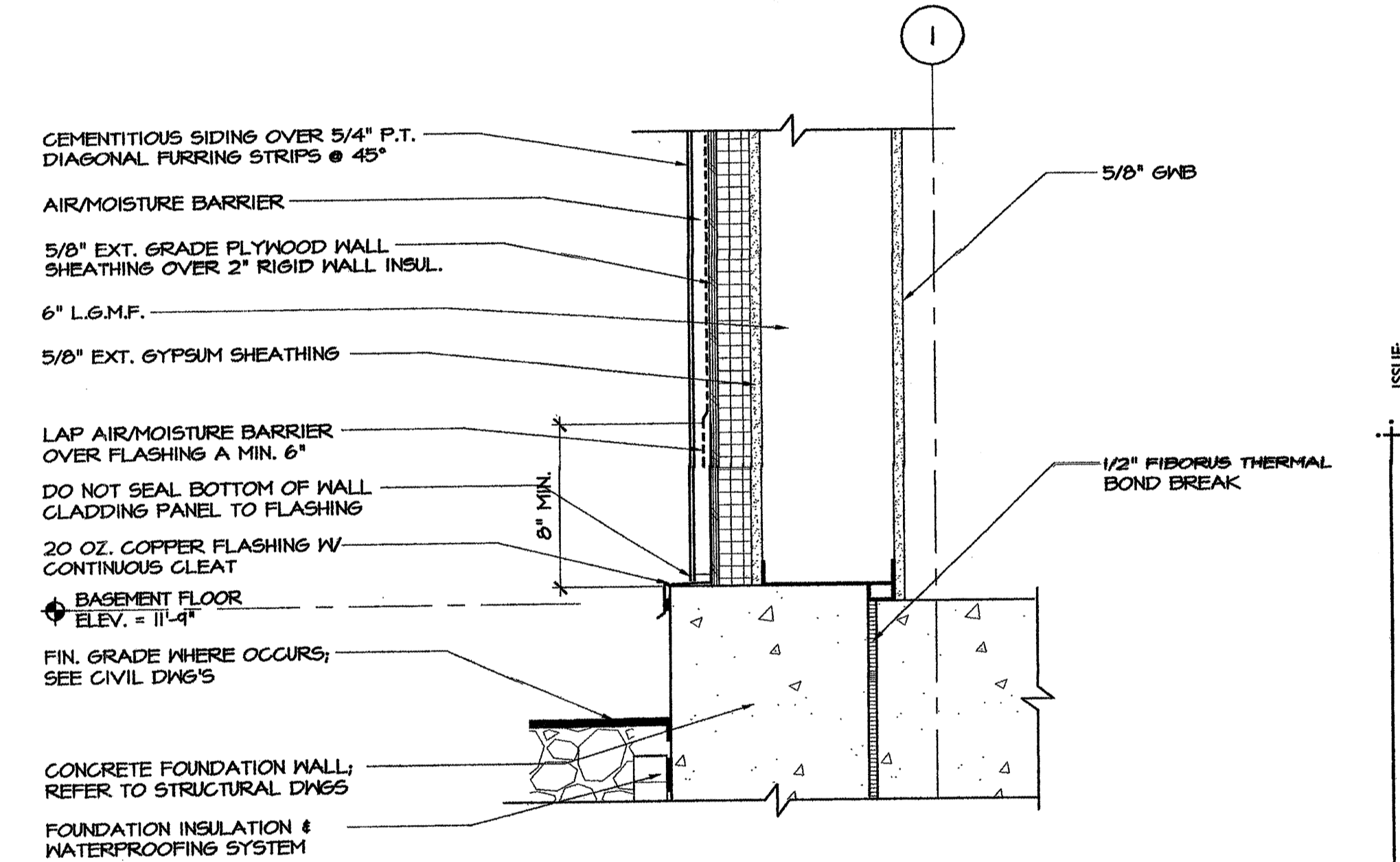
3 SECTION DETAIL @ TYPICAL FLOOR
SCALE: 1 1/2" = 1'-0"



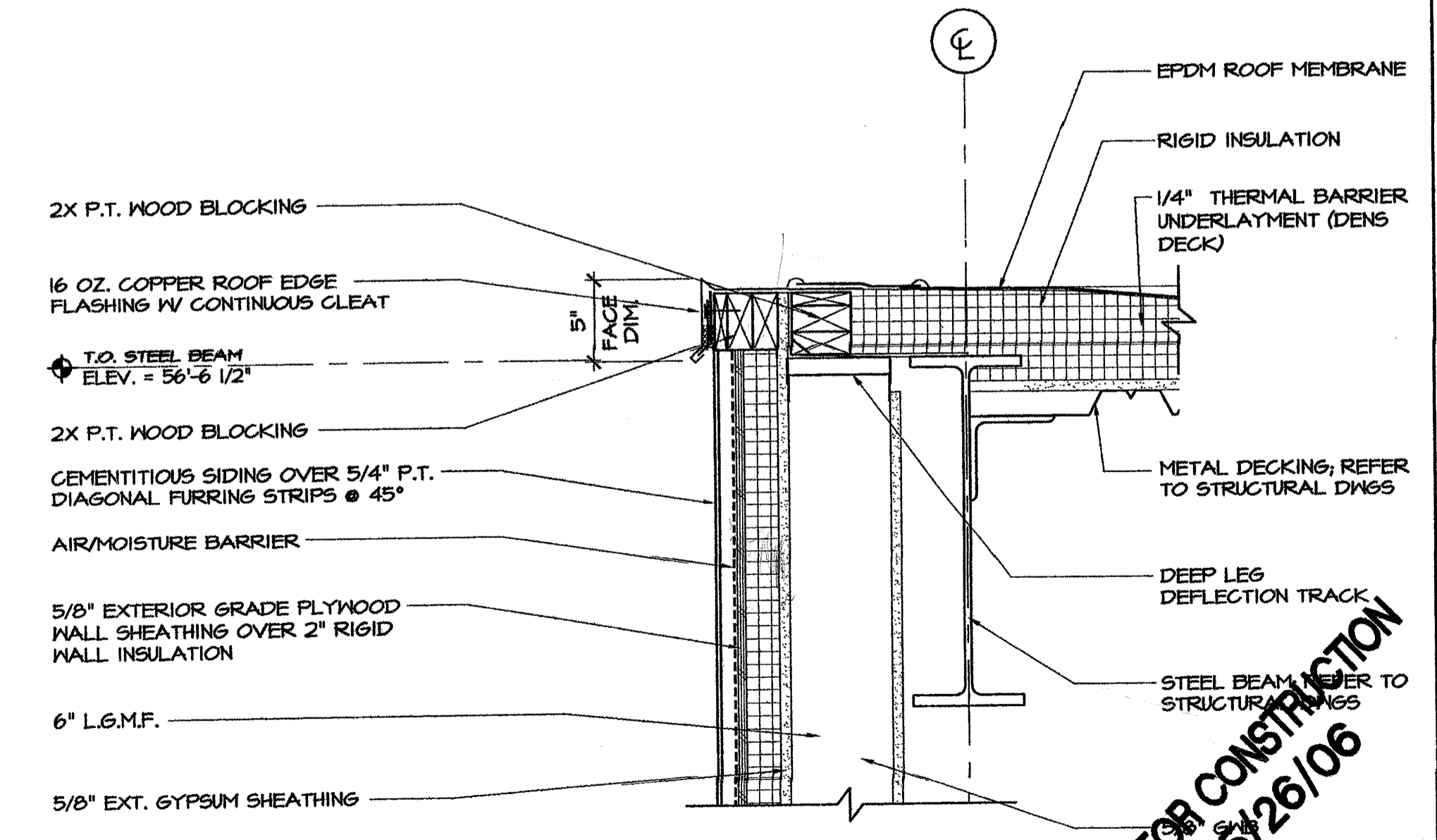
6 SECTION DETAIL @ FIREWALL
SCALE: 1 1/2" = 1'-0"



4 SECTION DETAIL @ PARAPET
SCALE: 1 1/2" = 1'-0"



2 SECTION DETAIL @ FOUNDATION
SCALE: 1 1/2" = 1'-0"



1 SECTION DETAIL @ ROOF EDGE
SCALE: 1 1/2" = 1'-0"

NOT FOR CONSTRUCTION
05/26/06