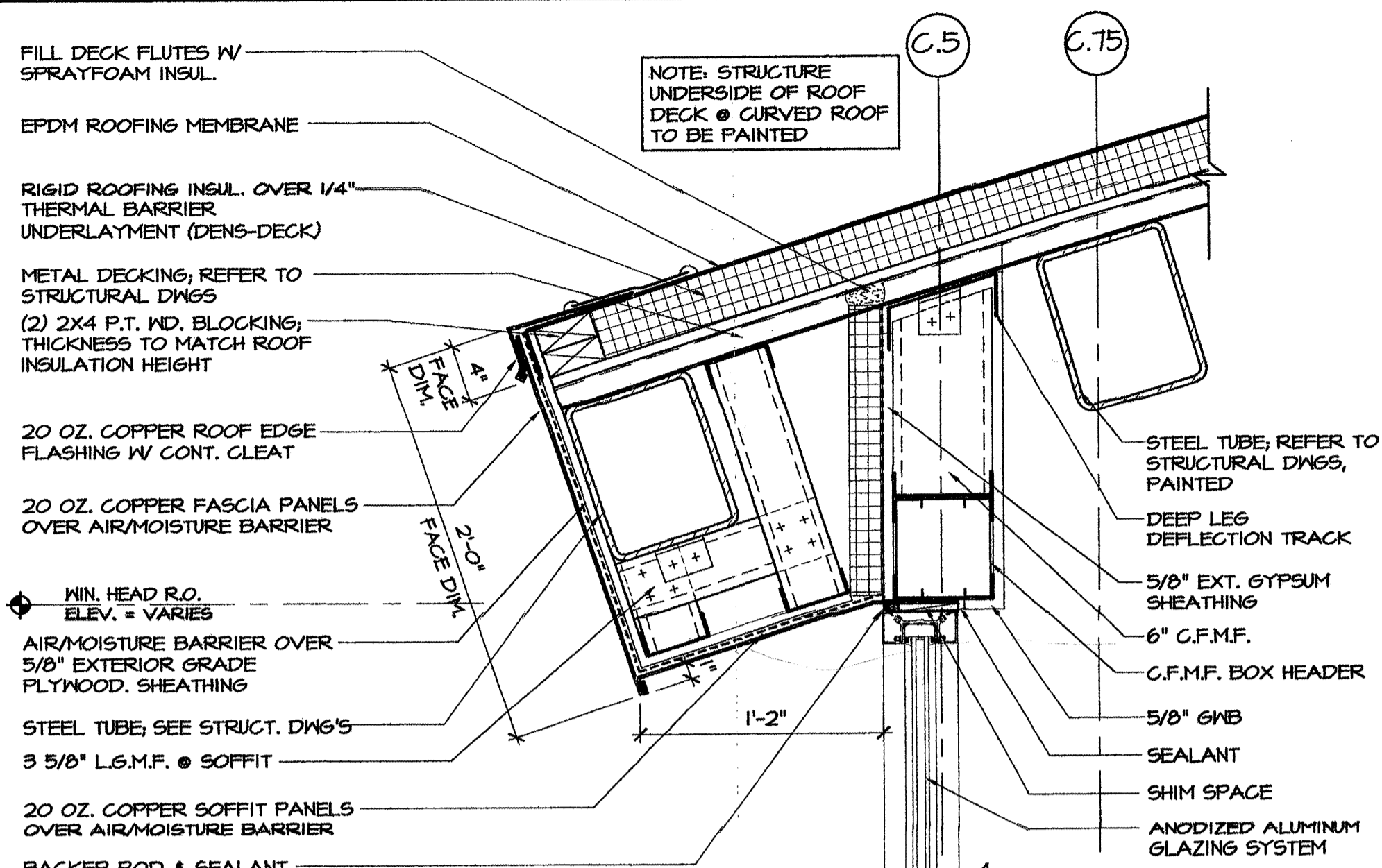


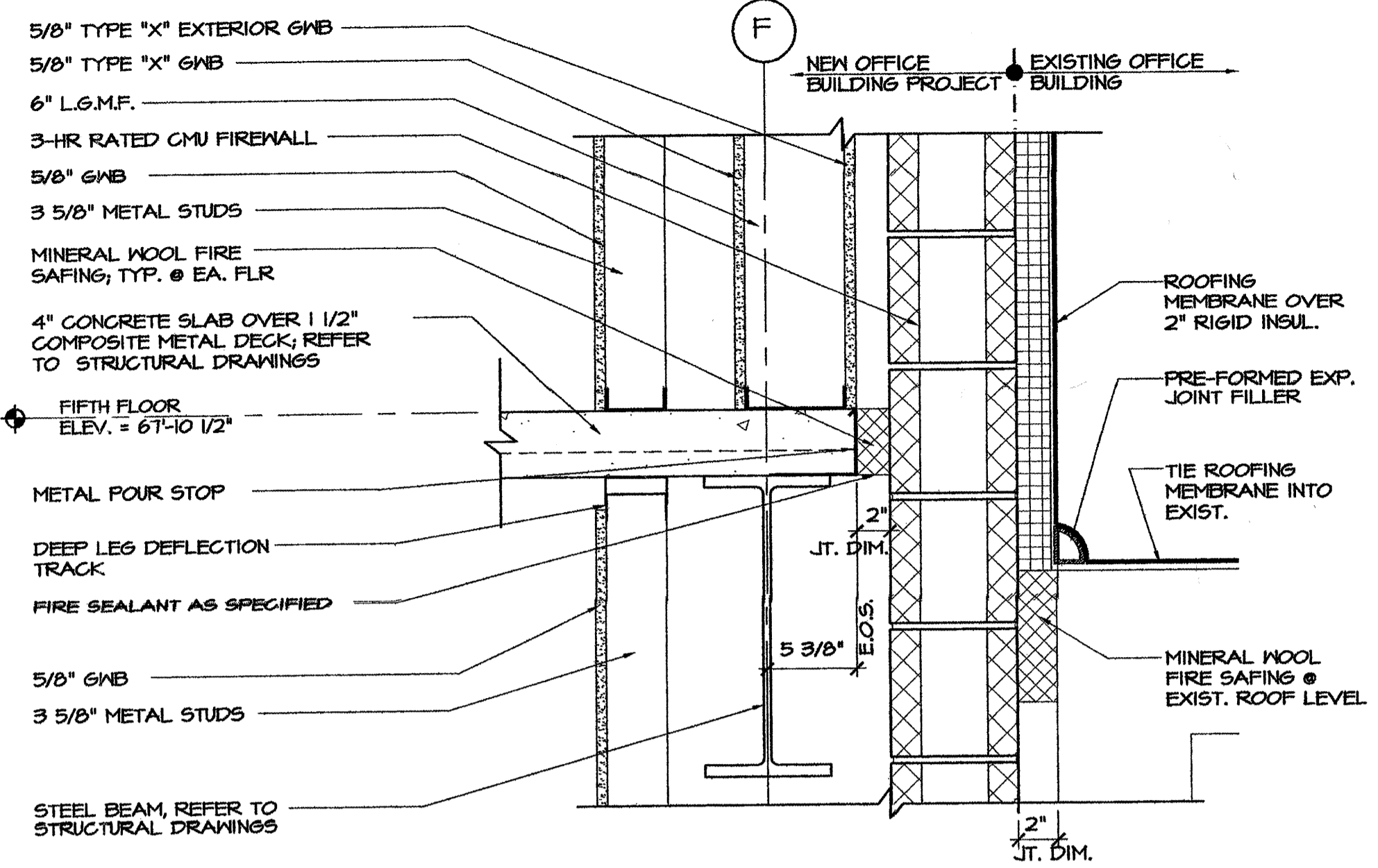
9 TYP. CURVED ROOF RAKE DETAIL

SCALE: 1 1/2" = 1'-0"



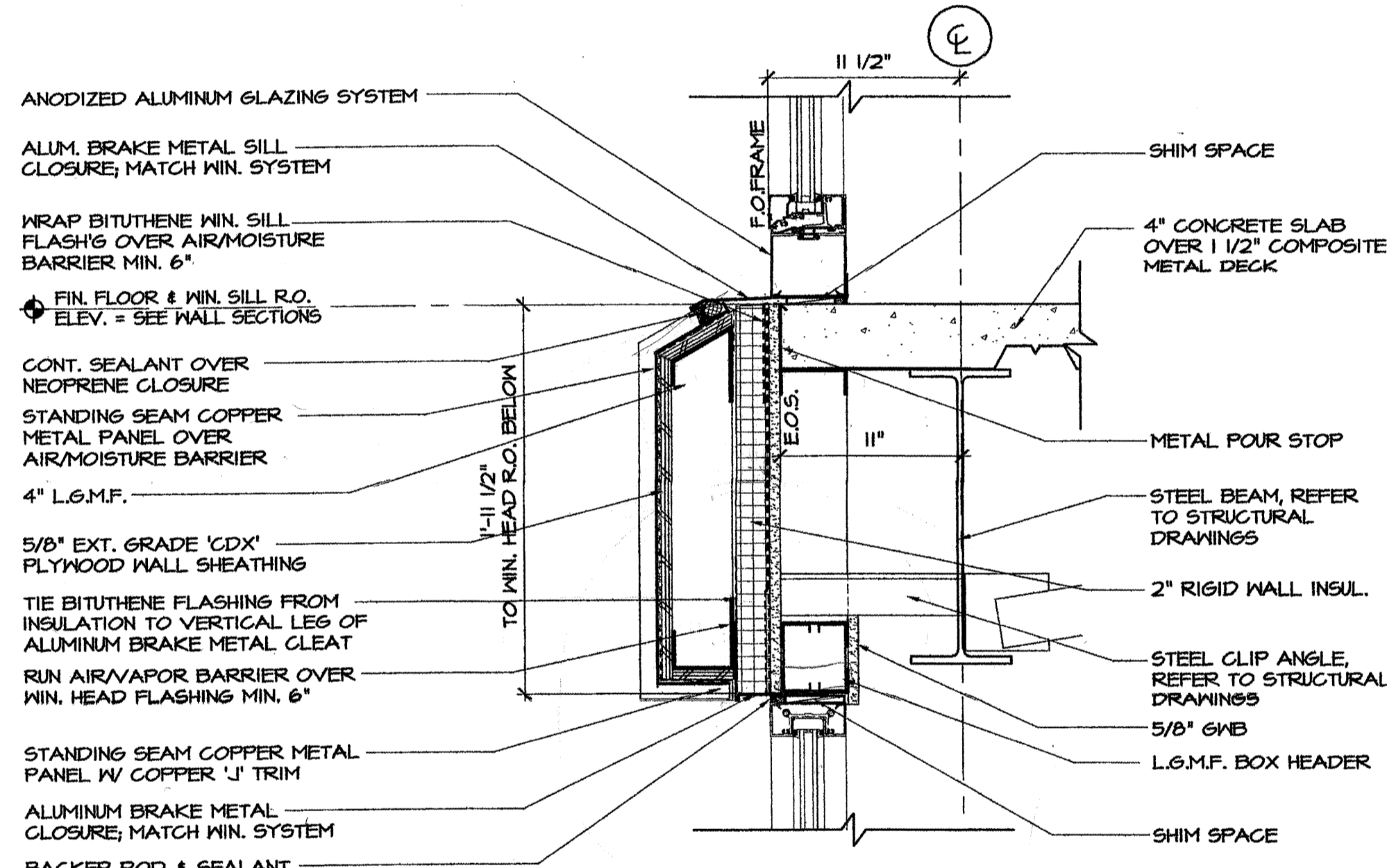
6 SECTION DETAIL @ CURVED ROOF EDGE

SCALE: 1 1/2" = 1'-0"



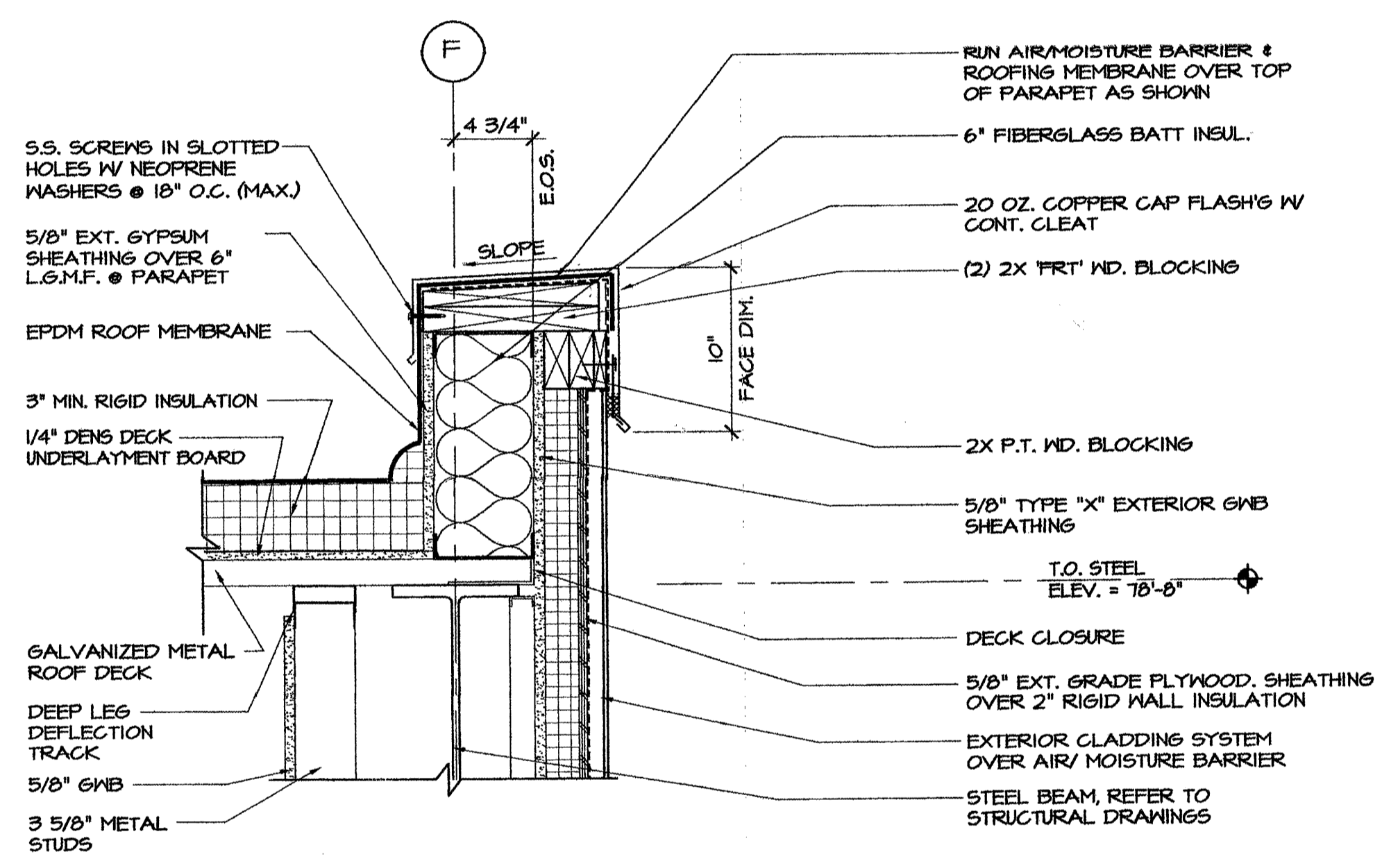
3 SECTION DETAIL

SCALE: 1 1/2" = 1'-0"



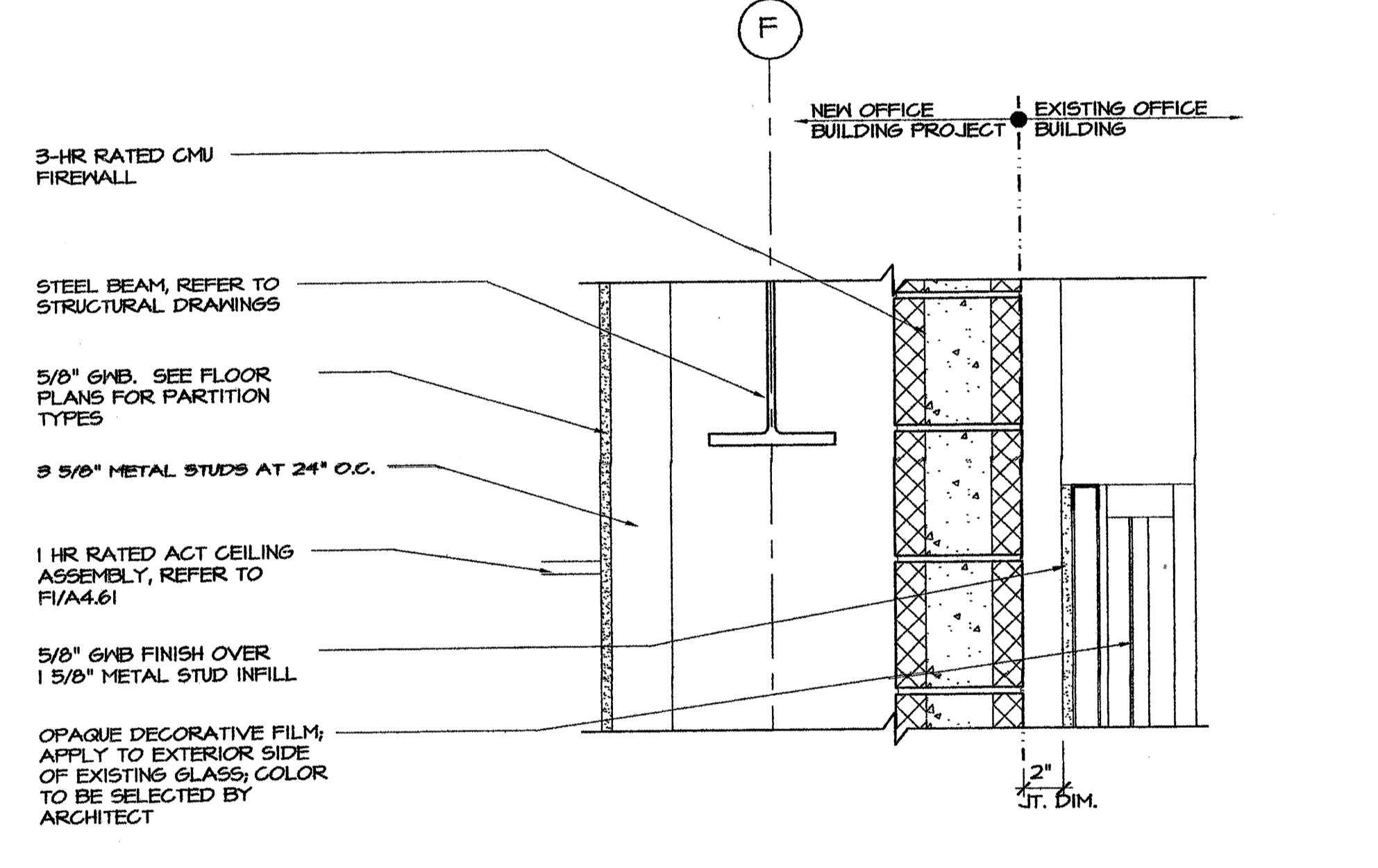
8 SECTION DETAIL @ COPPER SPANDREL

SCALE: 1 1/2" = 1'-0"



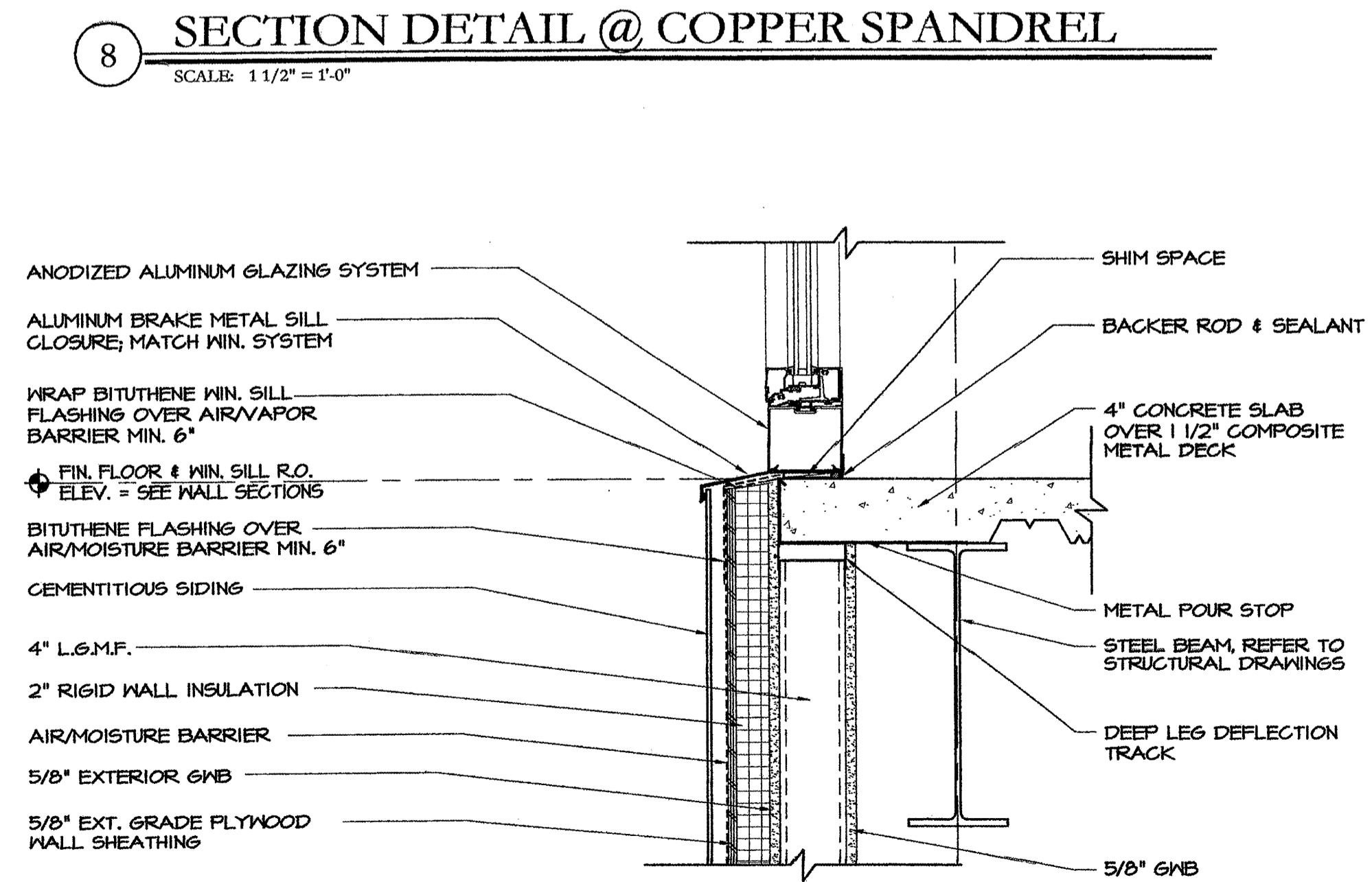
5 SECTION DETAIL

SCALE: 1 1/2" = 1'-0"



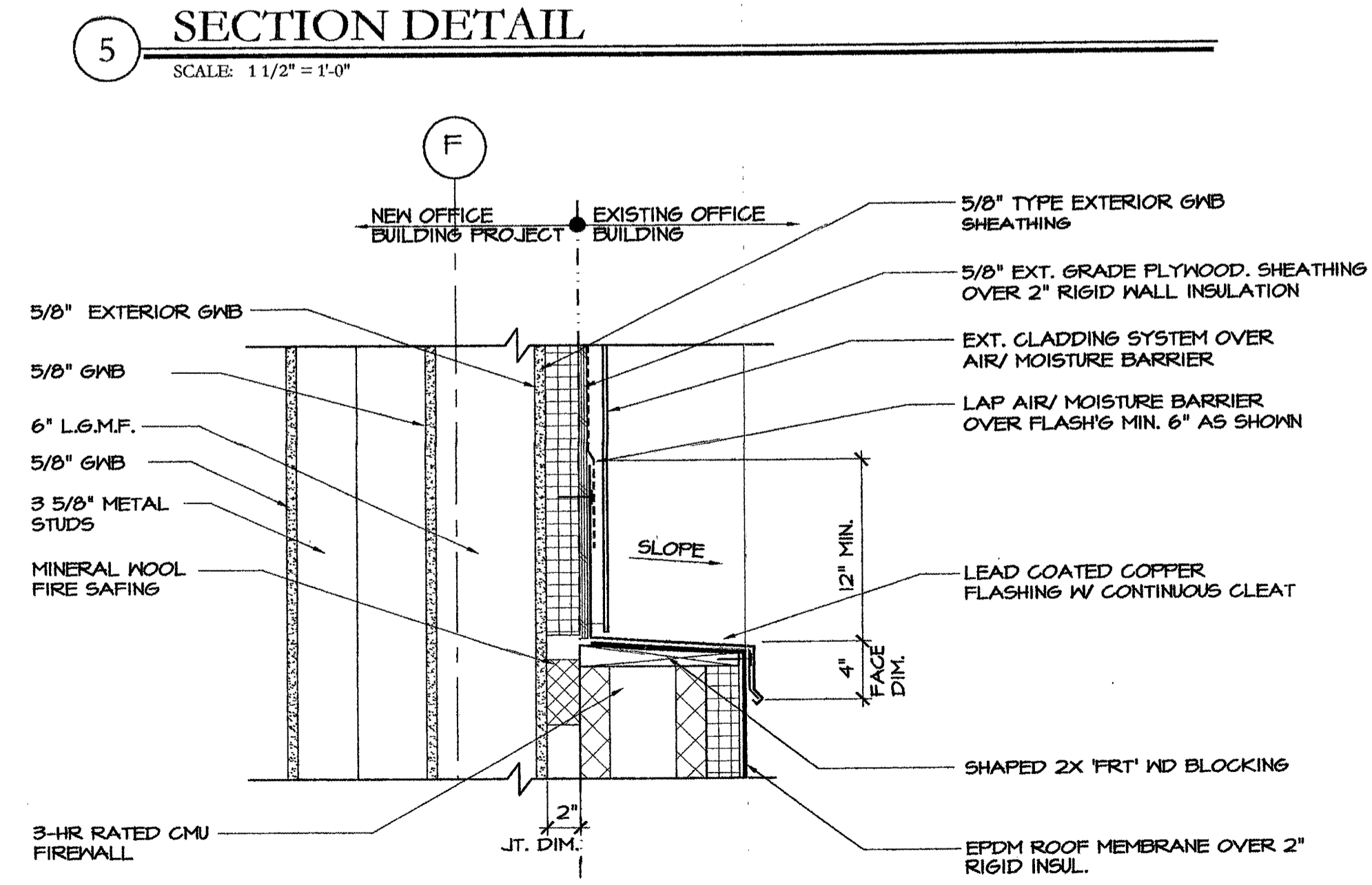
2 SECTION DETAIL

SCALE: 1 1/2" = 1'-0"



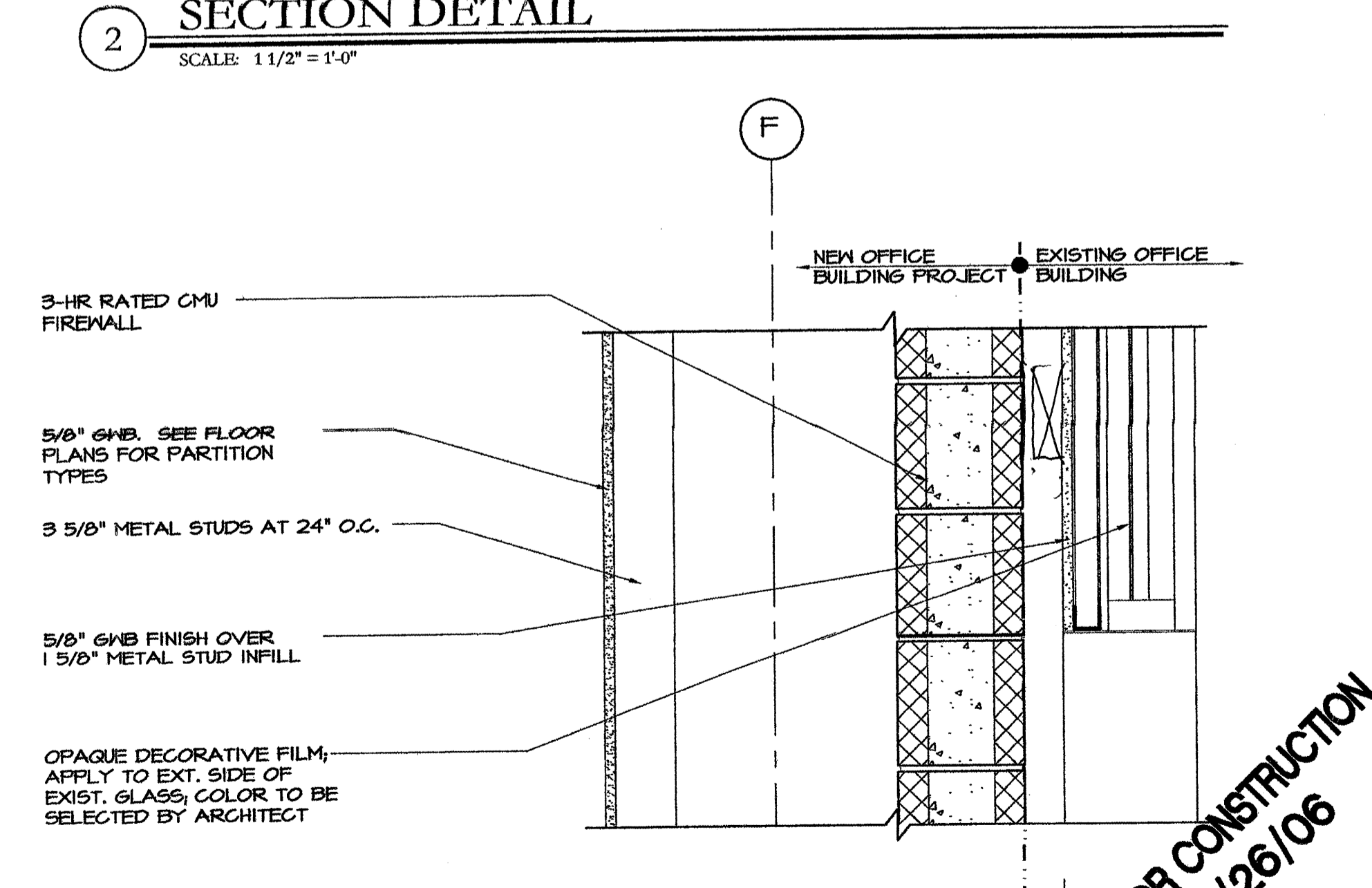
7 SECTION DETAIL

SCALE: 1 1/2" = 1'-0"



4 SECTION DETAIL

SCALE: 1 1/2" = 1'-0"



1 SECTION DETAIL

SCALE: 1 1/2" = 1'-0"

NOT FOR CONSTRUCTION
05/26/06