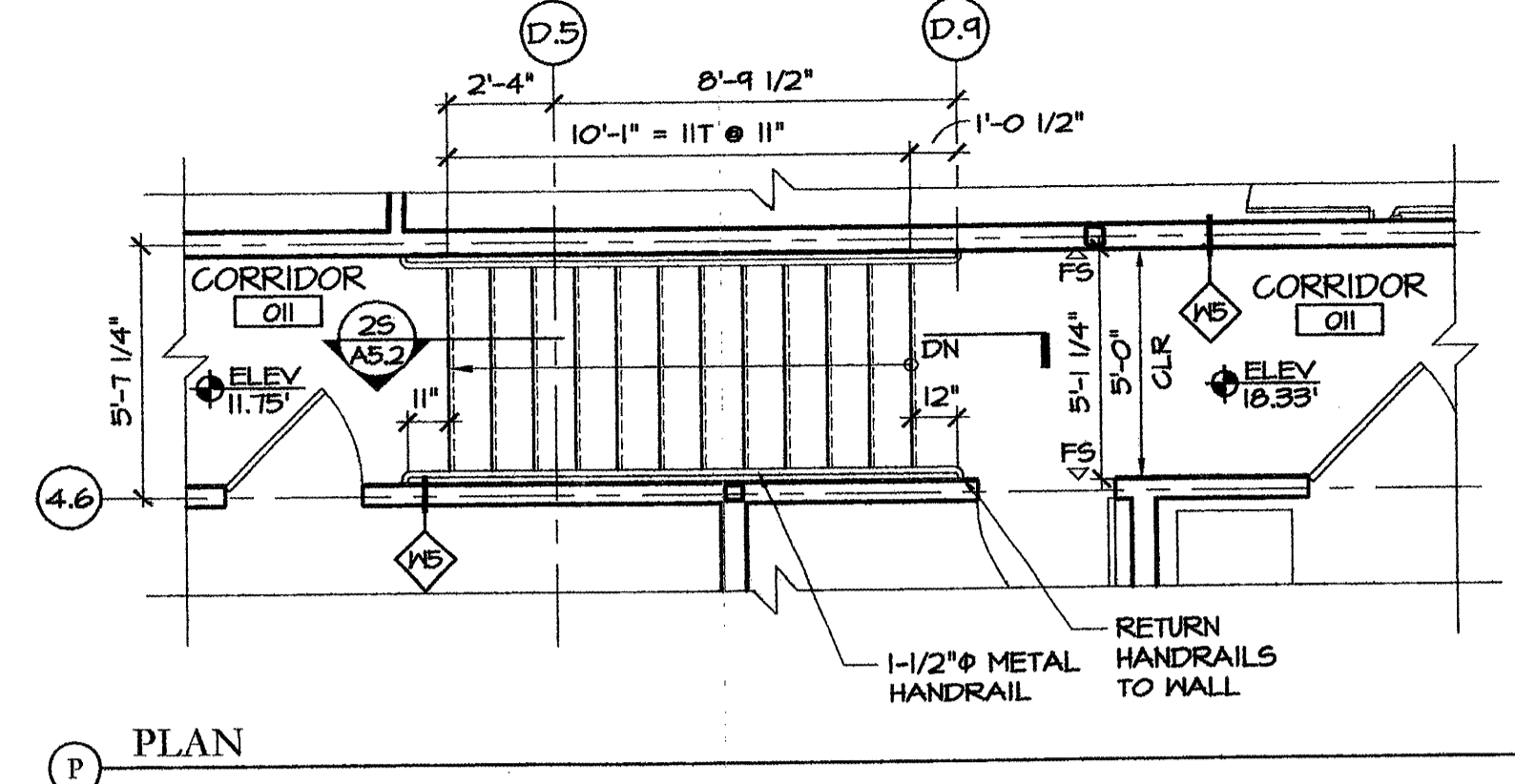
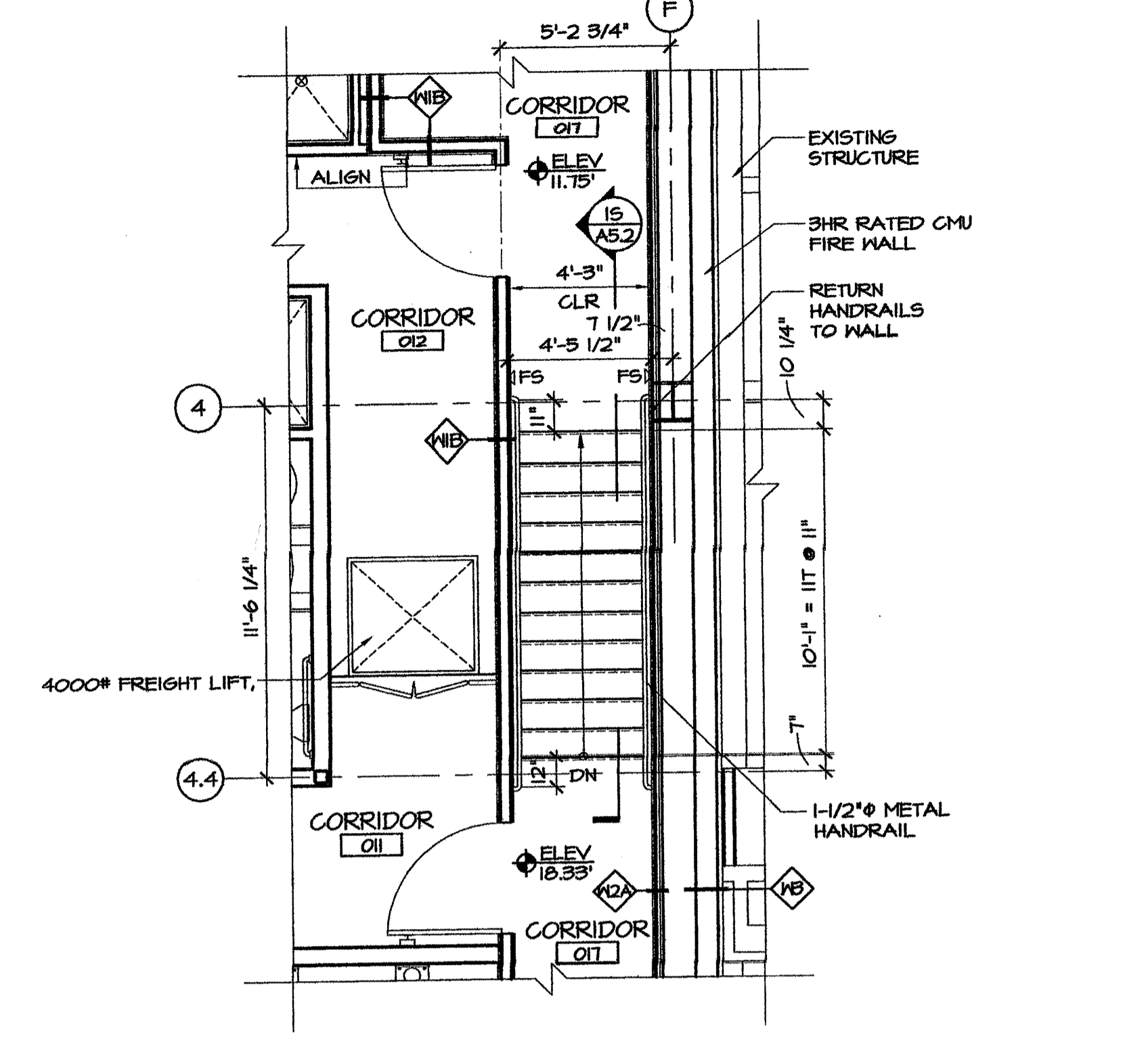


PLAN

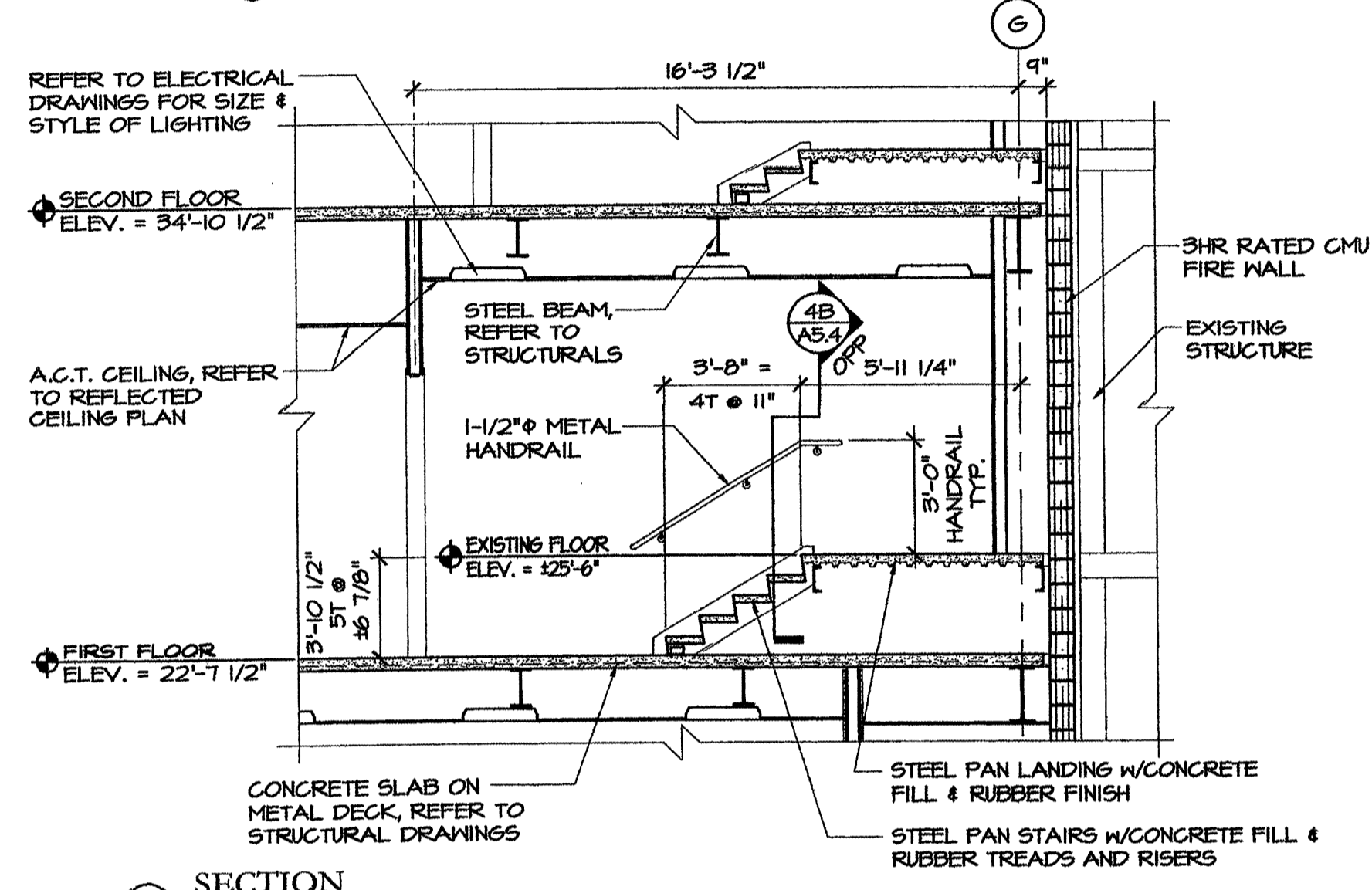
LOCATION OF DOOR  
SEE REC #148  
ALSO SEE #56 FOR EXISTING  
STAIR FINISHED DRAWING.



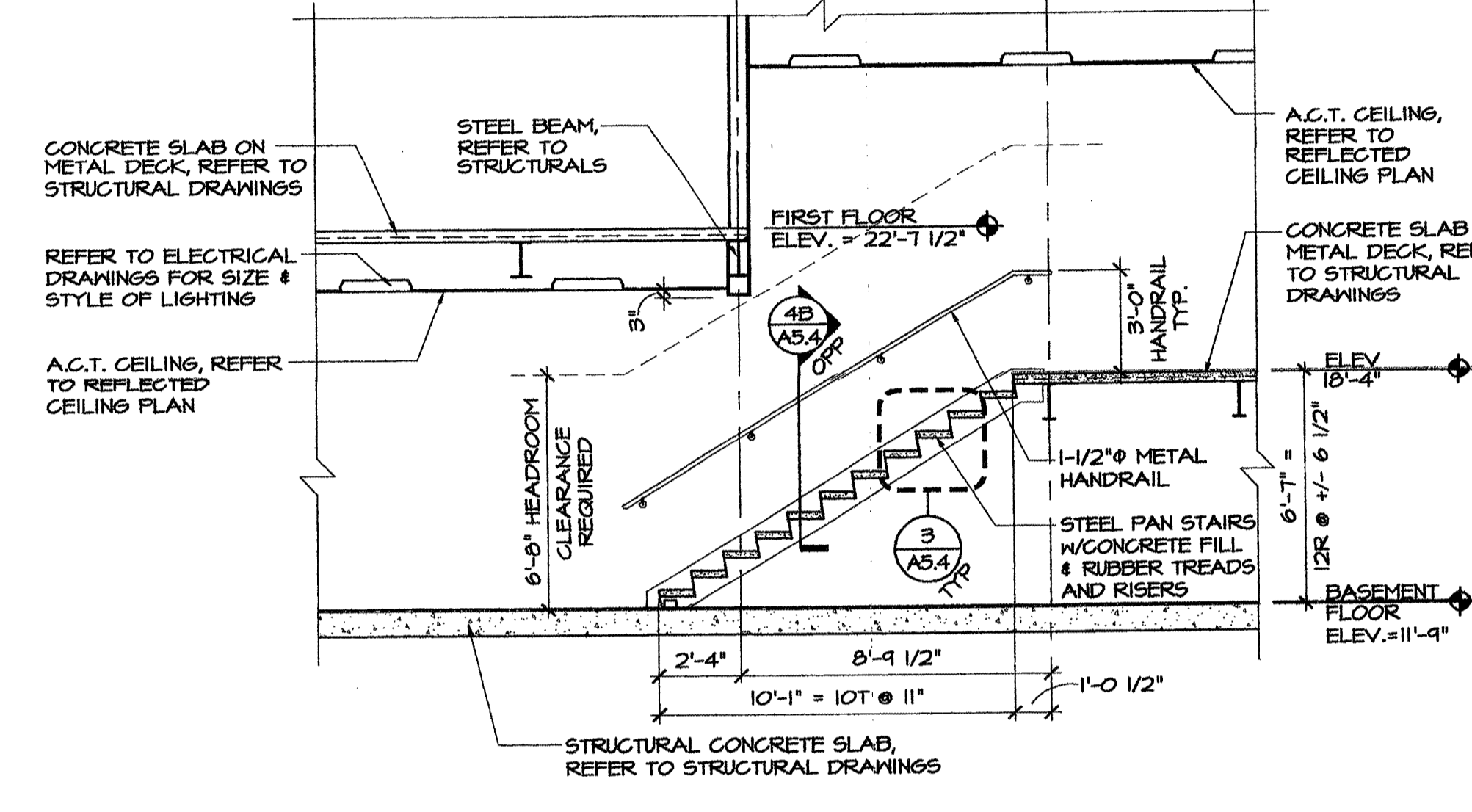
PLAN



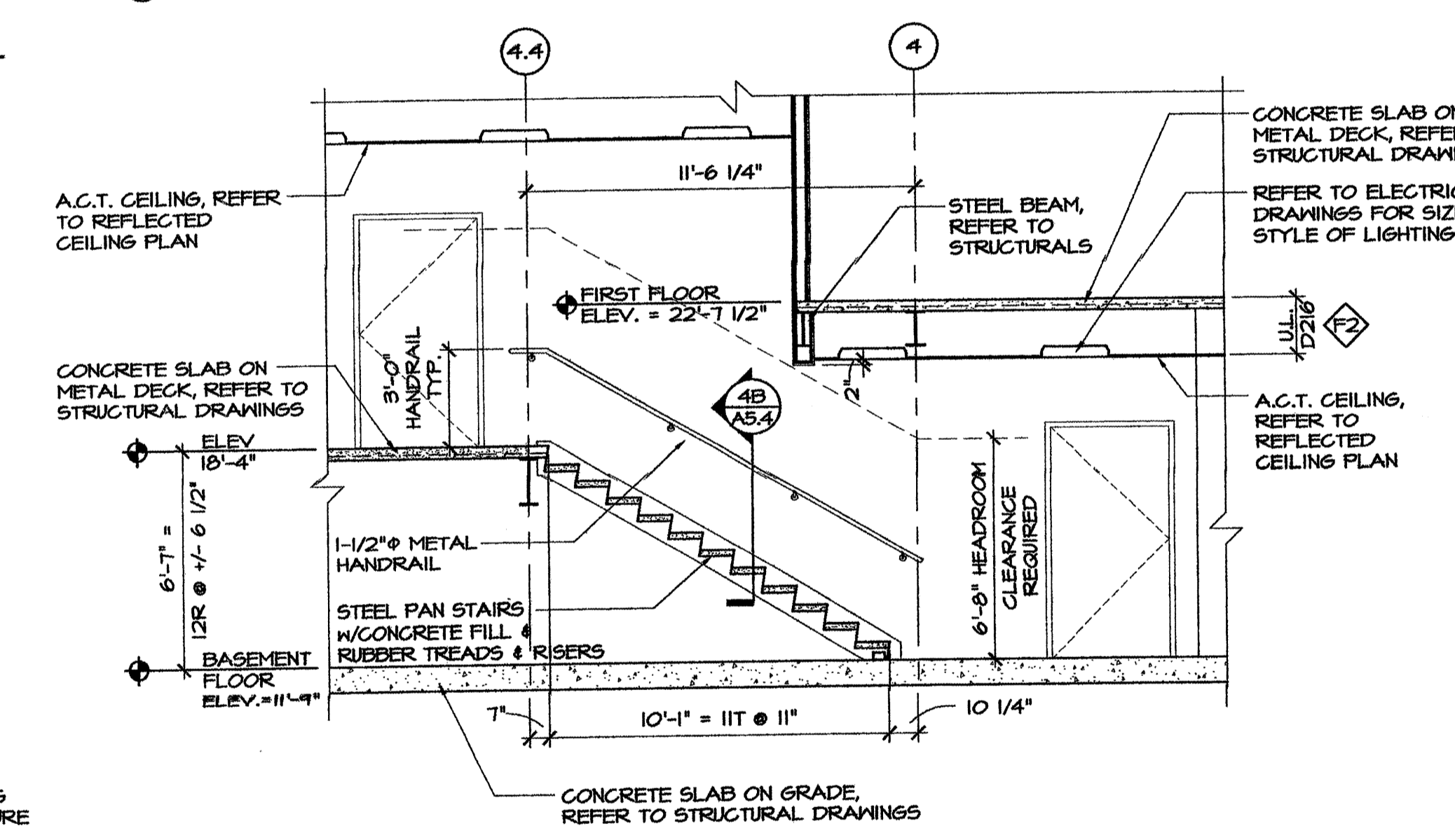
PLAN



SECTION

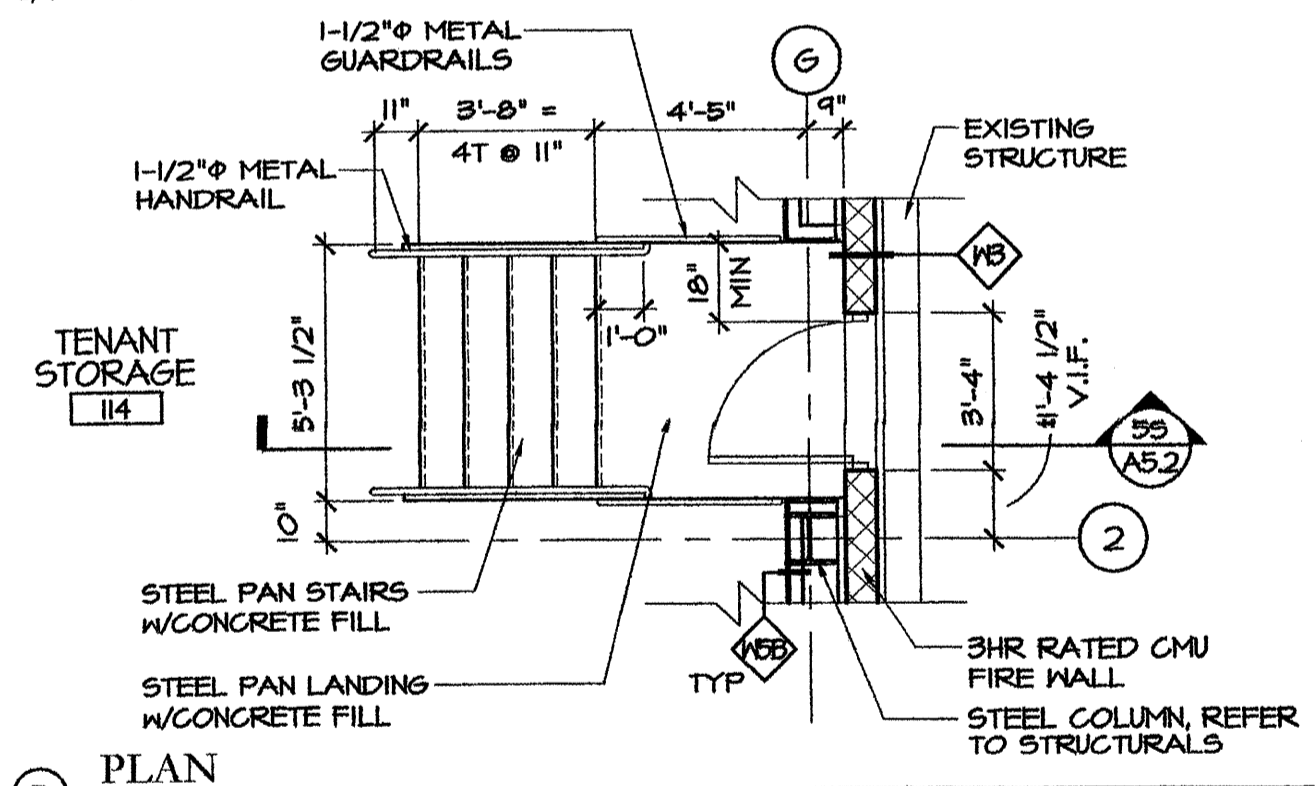


SECTION



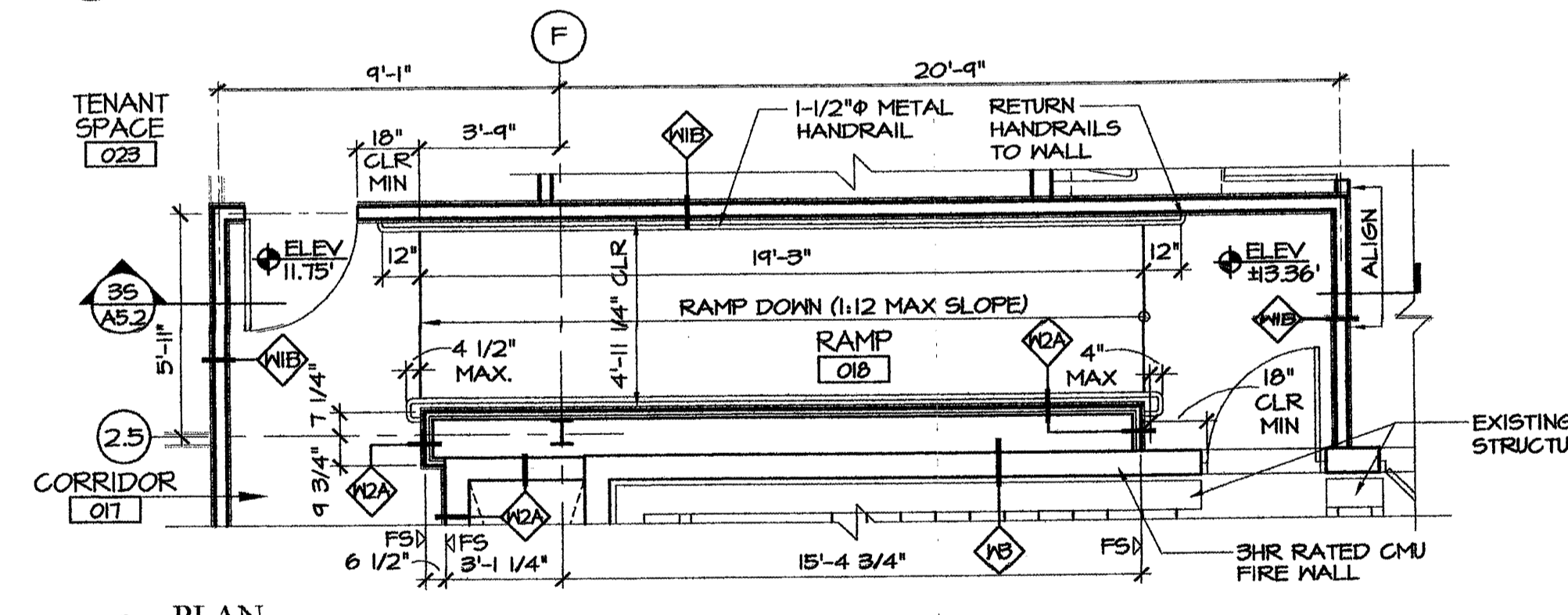
SECTION

**4 FIRST FLOOR STAIR PLAN & SECTION**  
SCALE: 1/4" = 1'-0"



PLAN

**2 LOWER LEVEL STAIR PLAN & SECTION**  
SCALE: 1/4" = 1'-0"

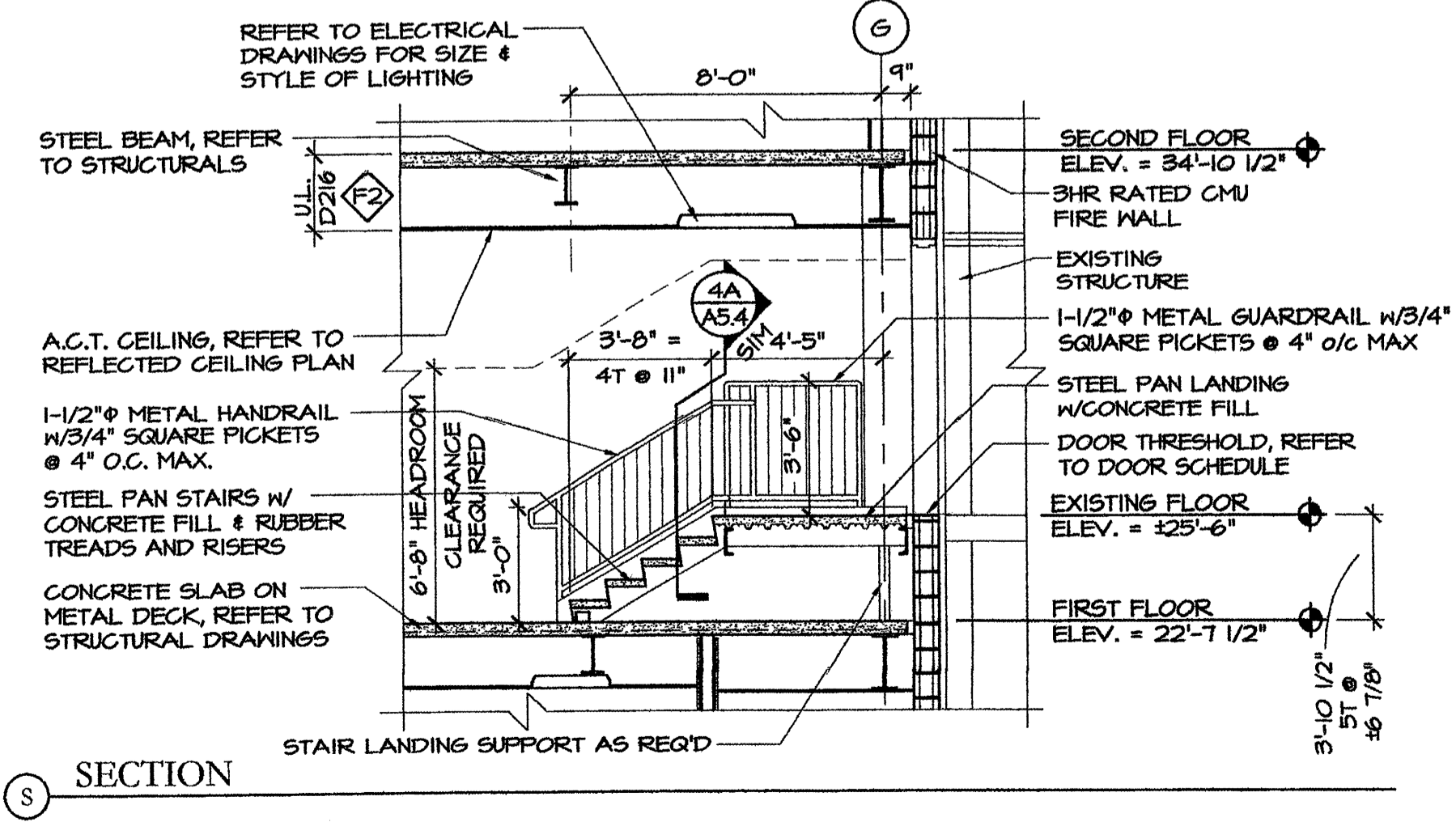


PLAN

**1 LOWER LEVEL STAIR PLAN & SECTION**  
SCALE: 1/4" = 1'-0"



SECTION



SECTION

**3 LOWER LEVEL RAMP PLAN & SECTION**  
SCALE: 1/4" = 1'-0"



SECTION

**NOT FOR CONSTRUCTION**  
05/26/06