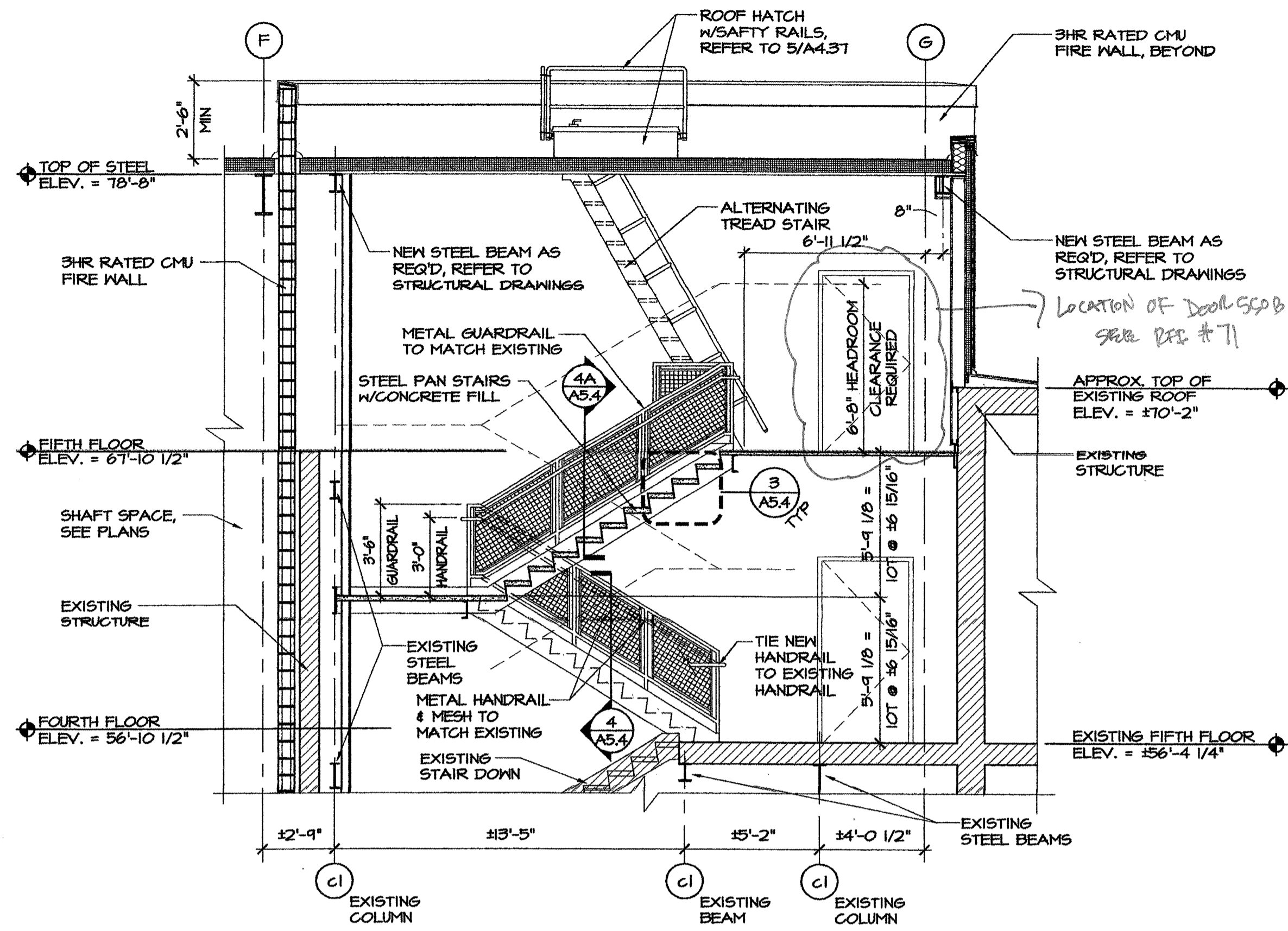
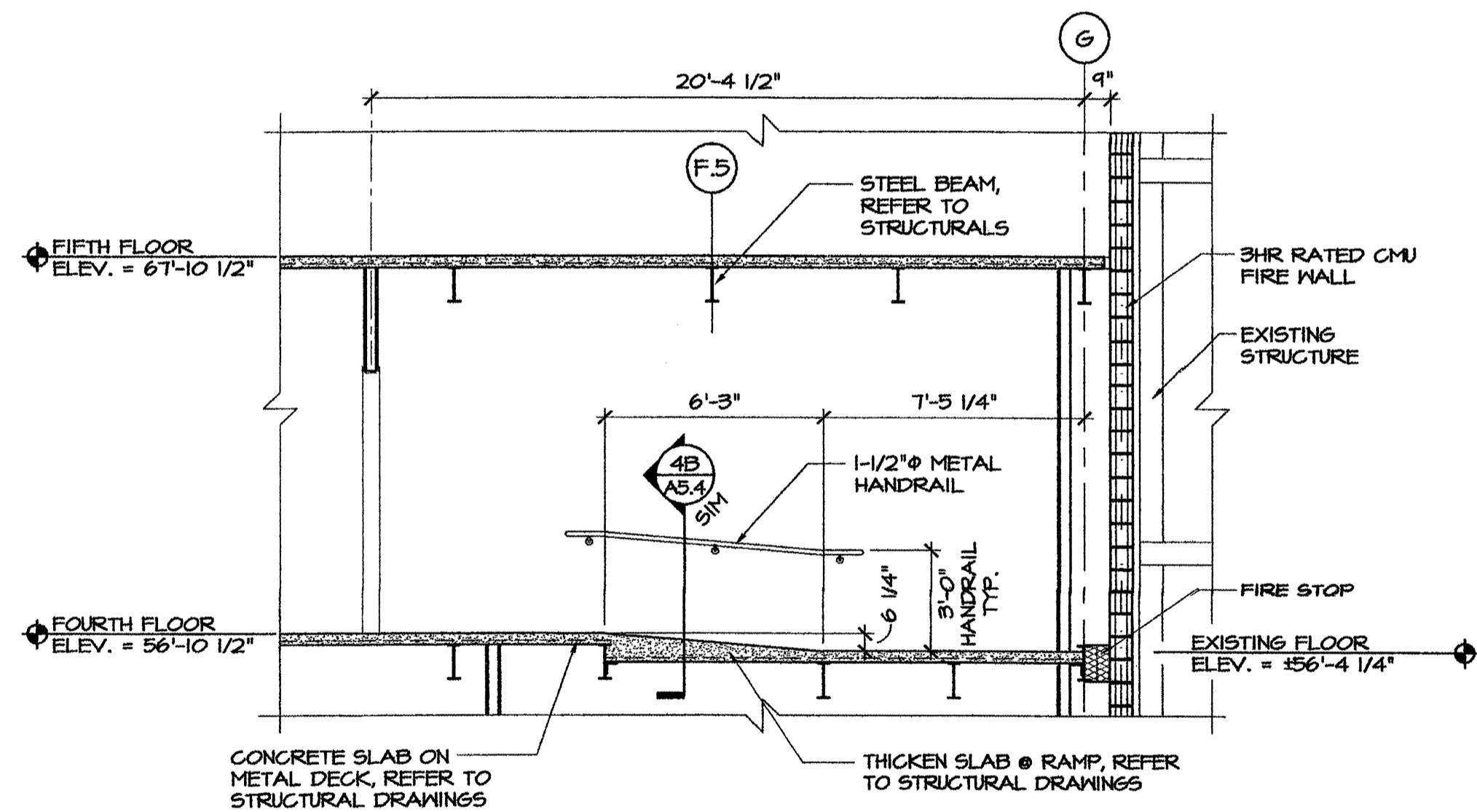


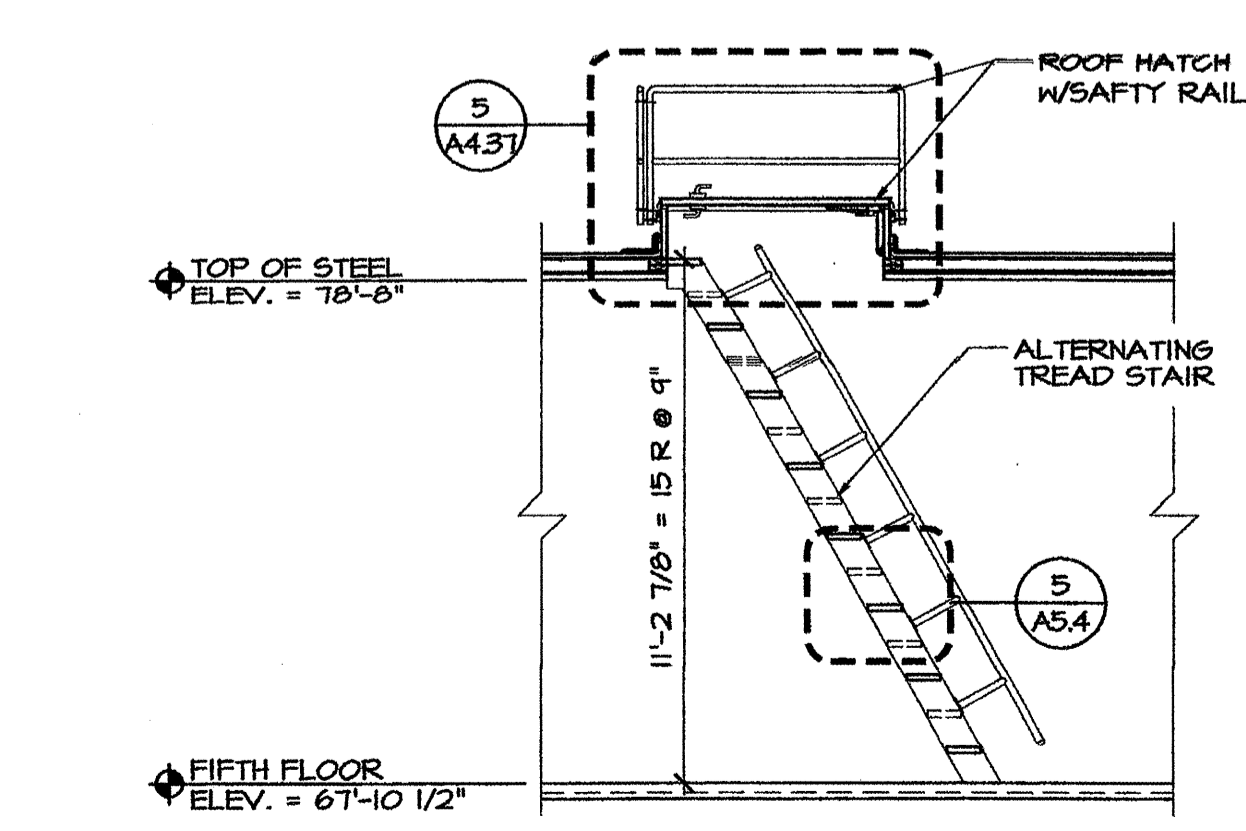
scenell - Wed, 01 Jun 2006 - 12:34pm



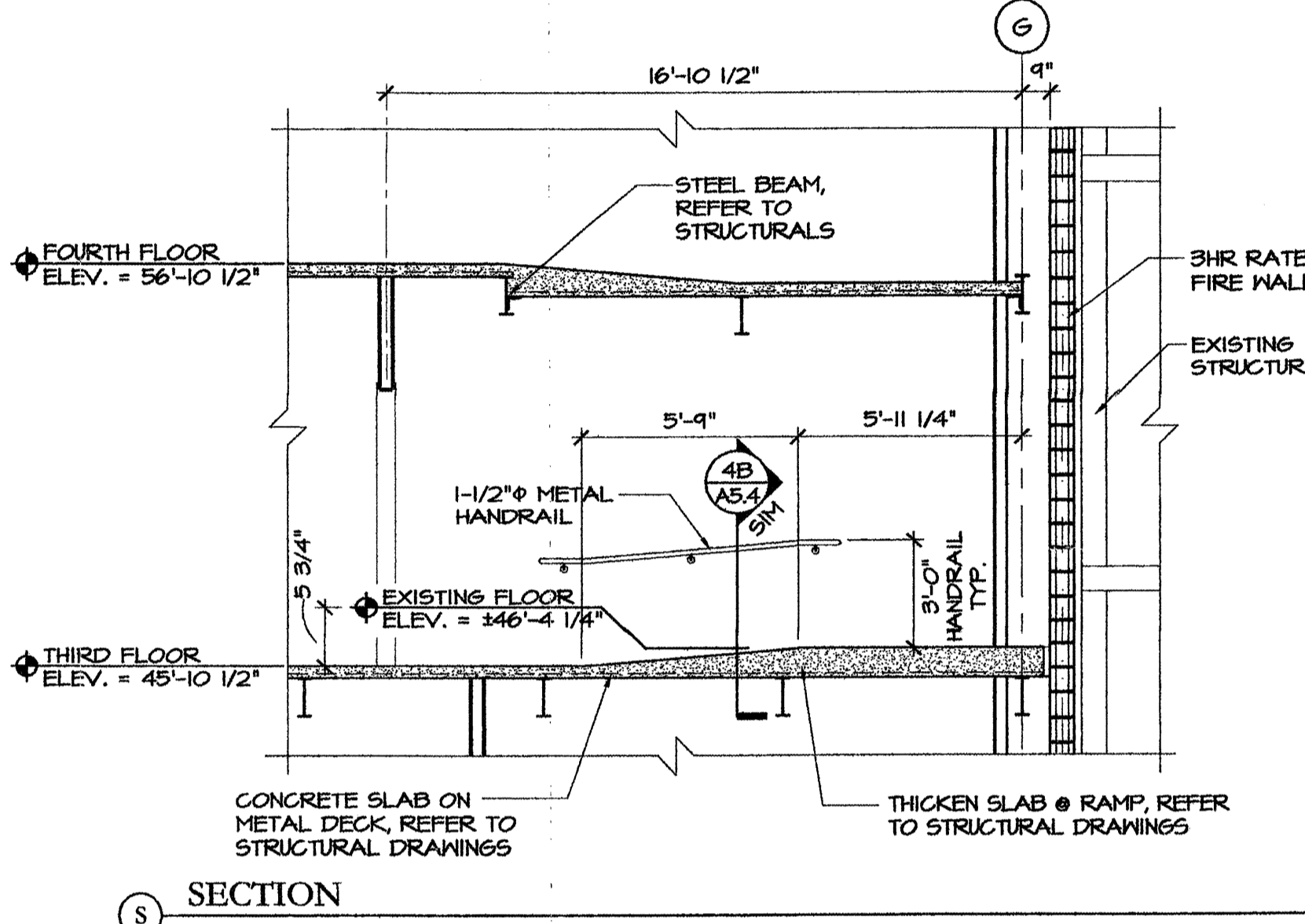
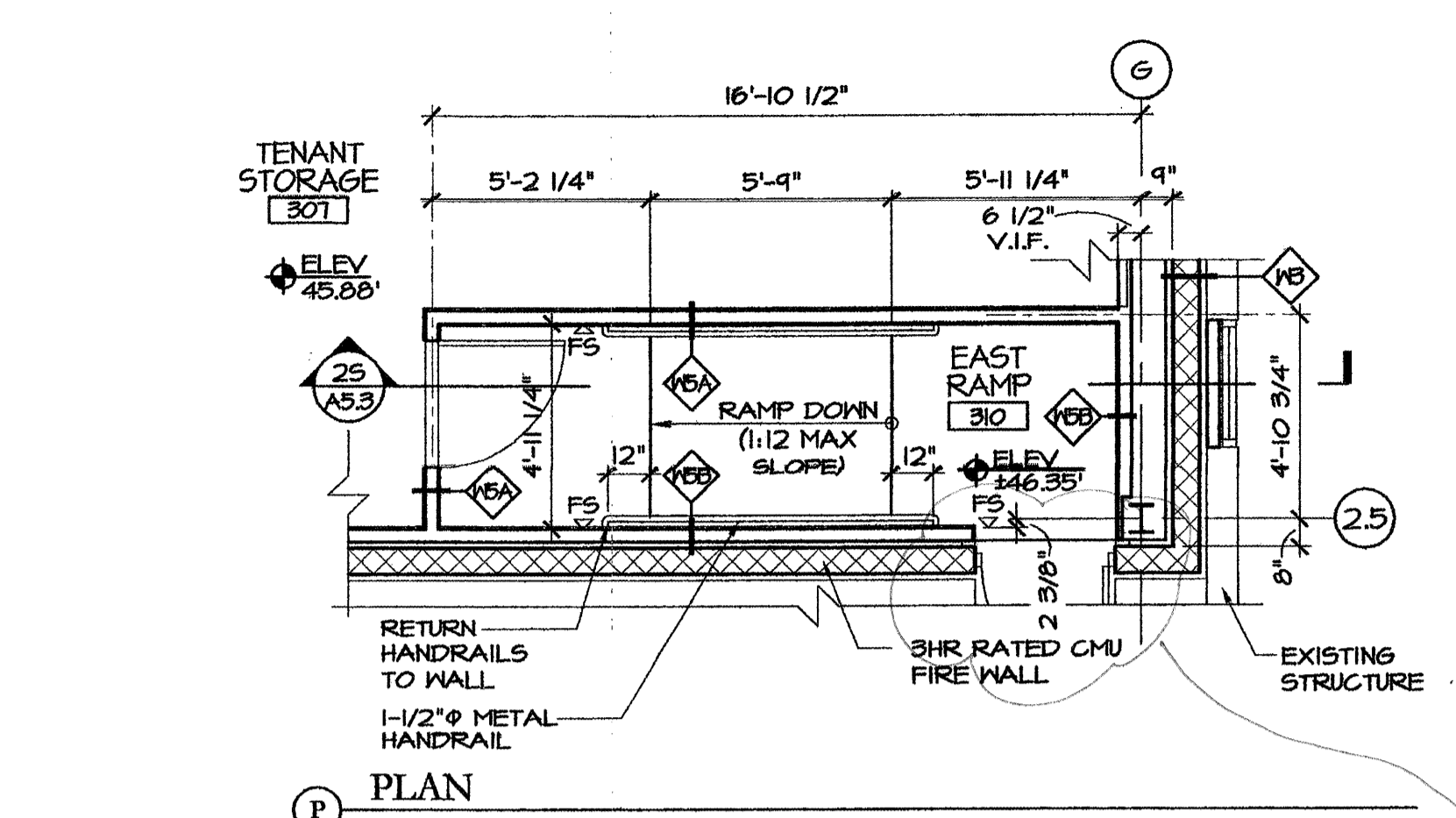
5 STAIR SECTION
SCALE: 1/4" = 1'-0"



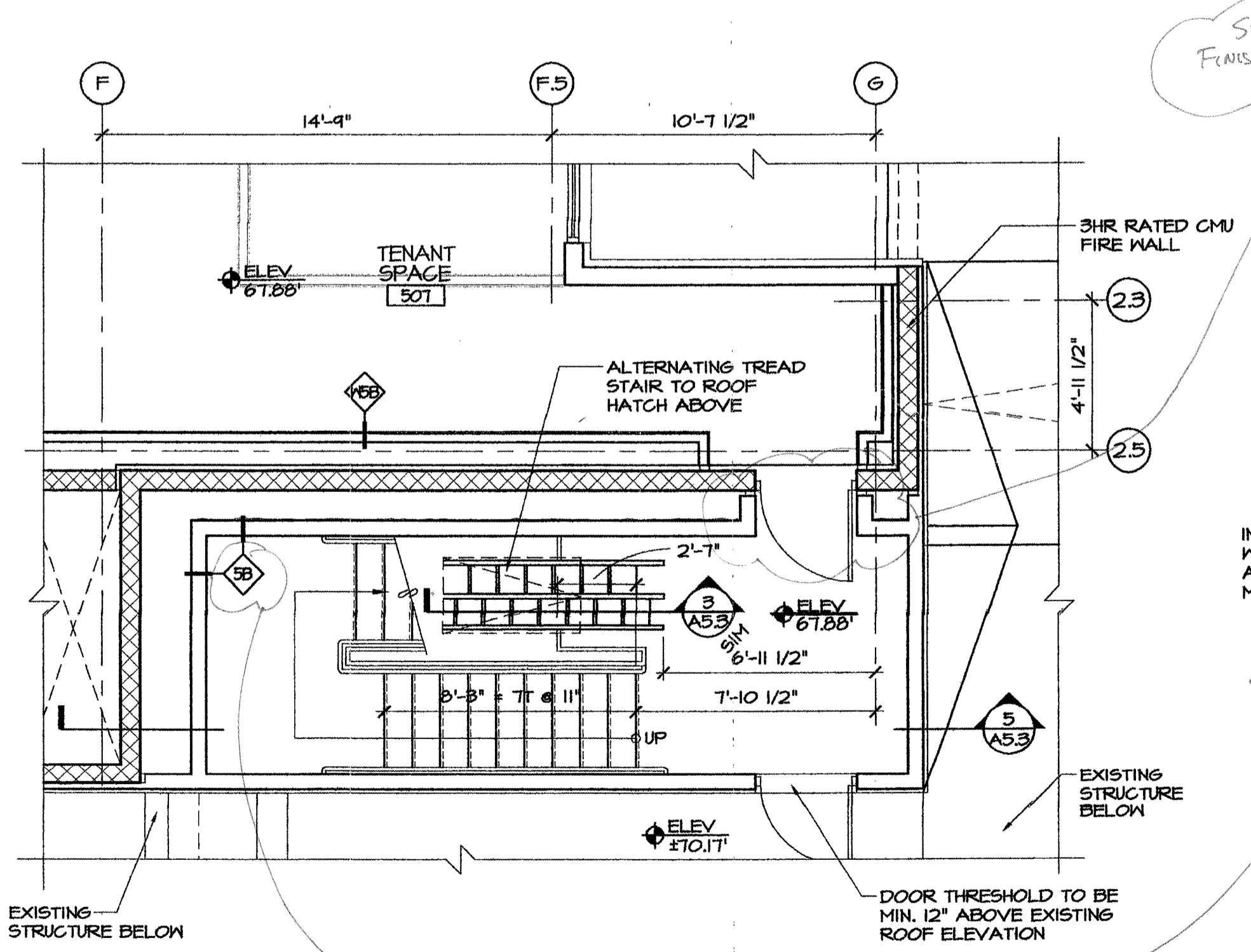
6 FOURTH FLOOR RAMP SECTION
SCALE: 1/4" = 1'-0"



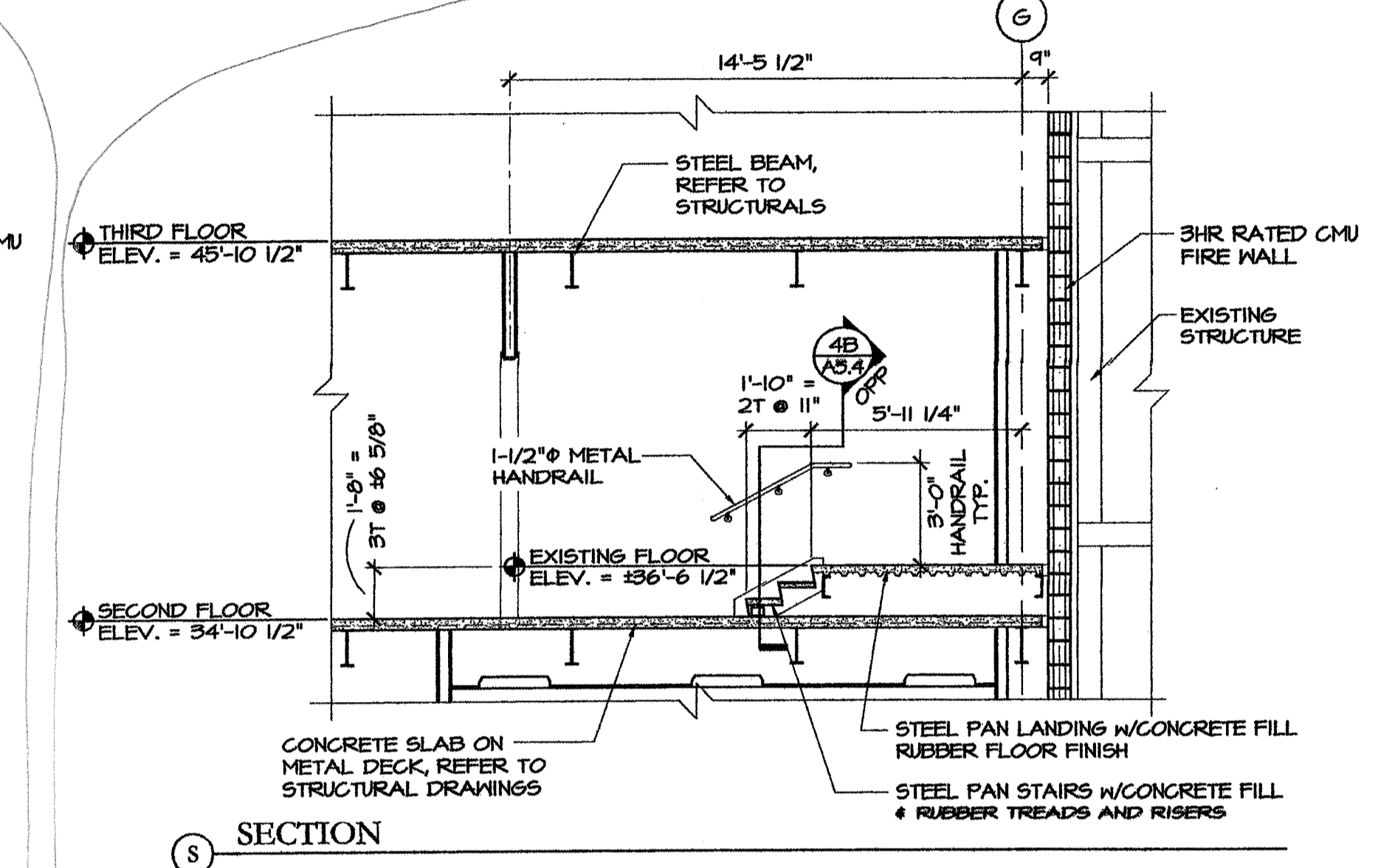
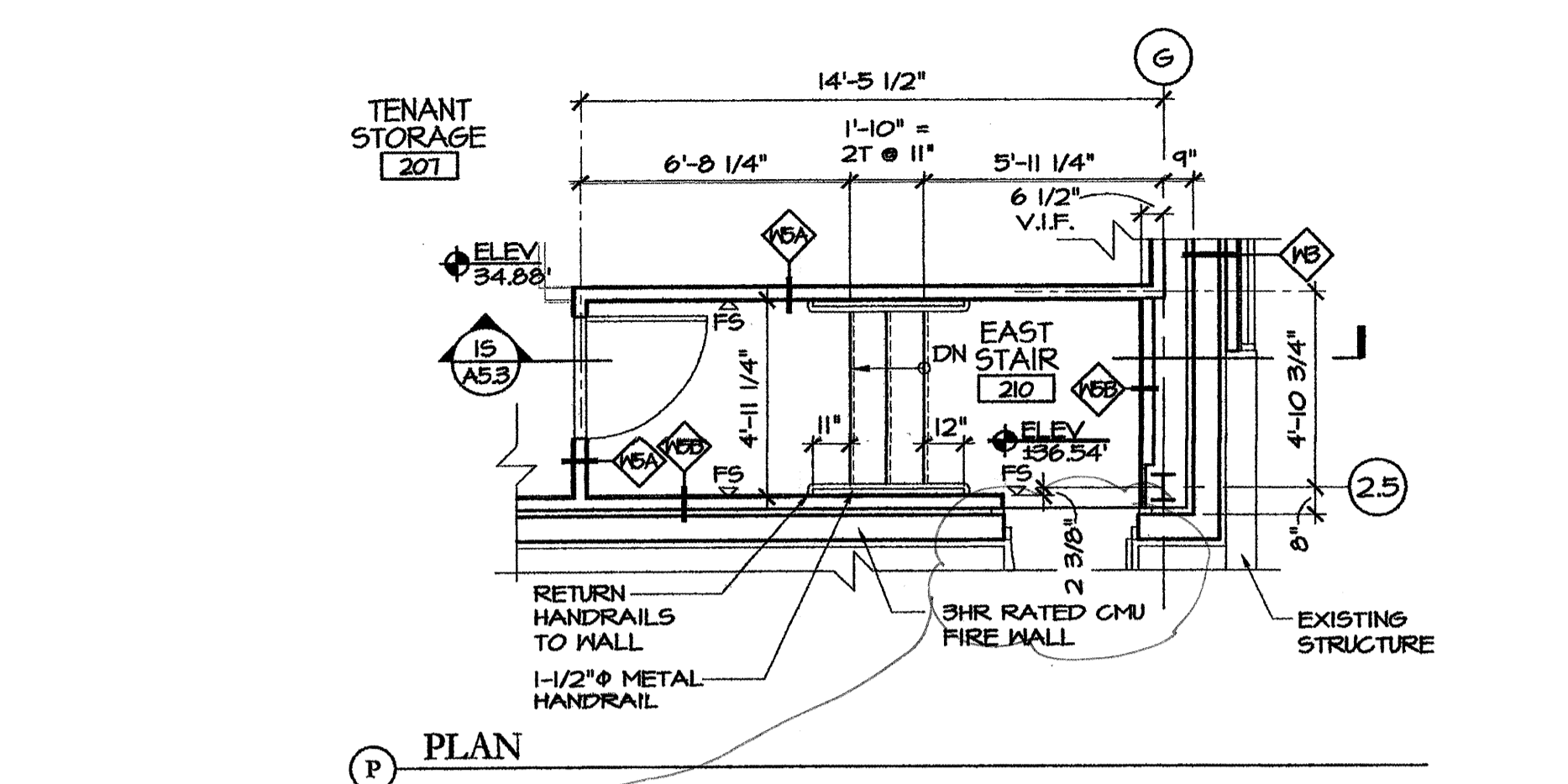
7 ALTERNATING STAIR SECTION
SCALE: 1/4" = 1'-0"



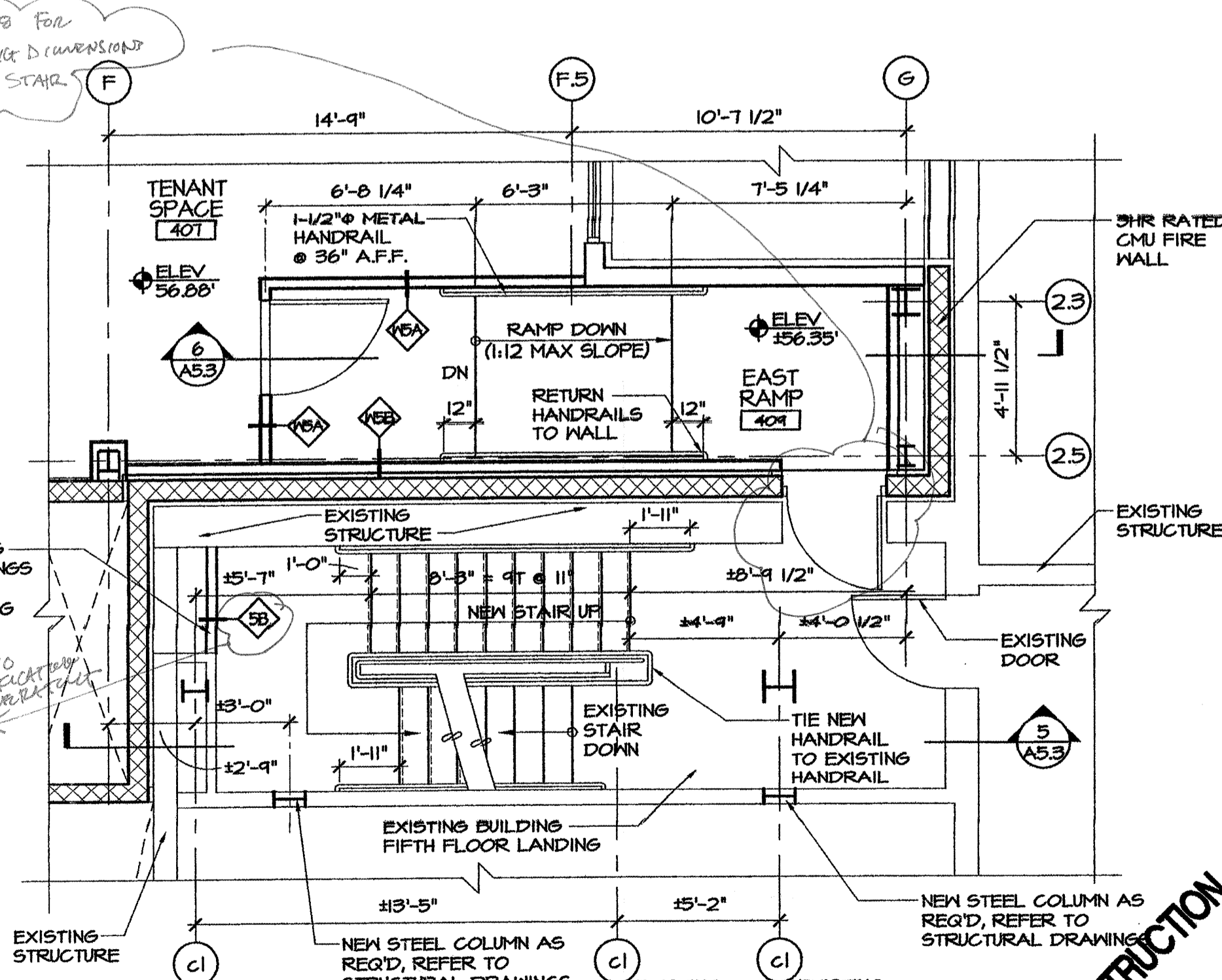
2 THIRD FLOOR RAMP PLAN & SECTION
SCALE: 1/4" = 1'-0"



4 EAST FIFTH FLOOR STAIR PLAN
SCALE: 1/4" = 1'-0"



1 SECOND FLOOR STAIR PLAN & SECTION
SCALE: 1/4" = 1'-0"



3 EAST FOURTH FLOOR RAMP/STAIR PLAN
SCALE: 1/4" = 1'-0"

NOTE: WIDTHS OF NEW STAIRS TO MATCH EXISTING

PRO CON
INCORPORATED
Design and Construction Management
ARCHITECTURE
A Subsidiary Company
P.O. Box 408, Manchester, NH 03108
603.683.1250

ISSUE: 05/26/06 ISSUED FOR PRICING

CUSTOM HOUSE SQUARE
300 FORE STREET
PORTLAND, MAINE
STAIR PLANS & SECTIONS

PROJECT ARCHITECT:
MW
DRAWN BY:
AC, SO
PROJECT #:
300506

A5.3

G:\Prod\Year2005\300506_Custom_House_Square\DWG\0506A5.2-5.3.dwg