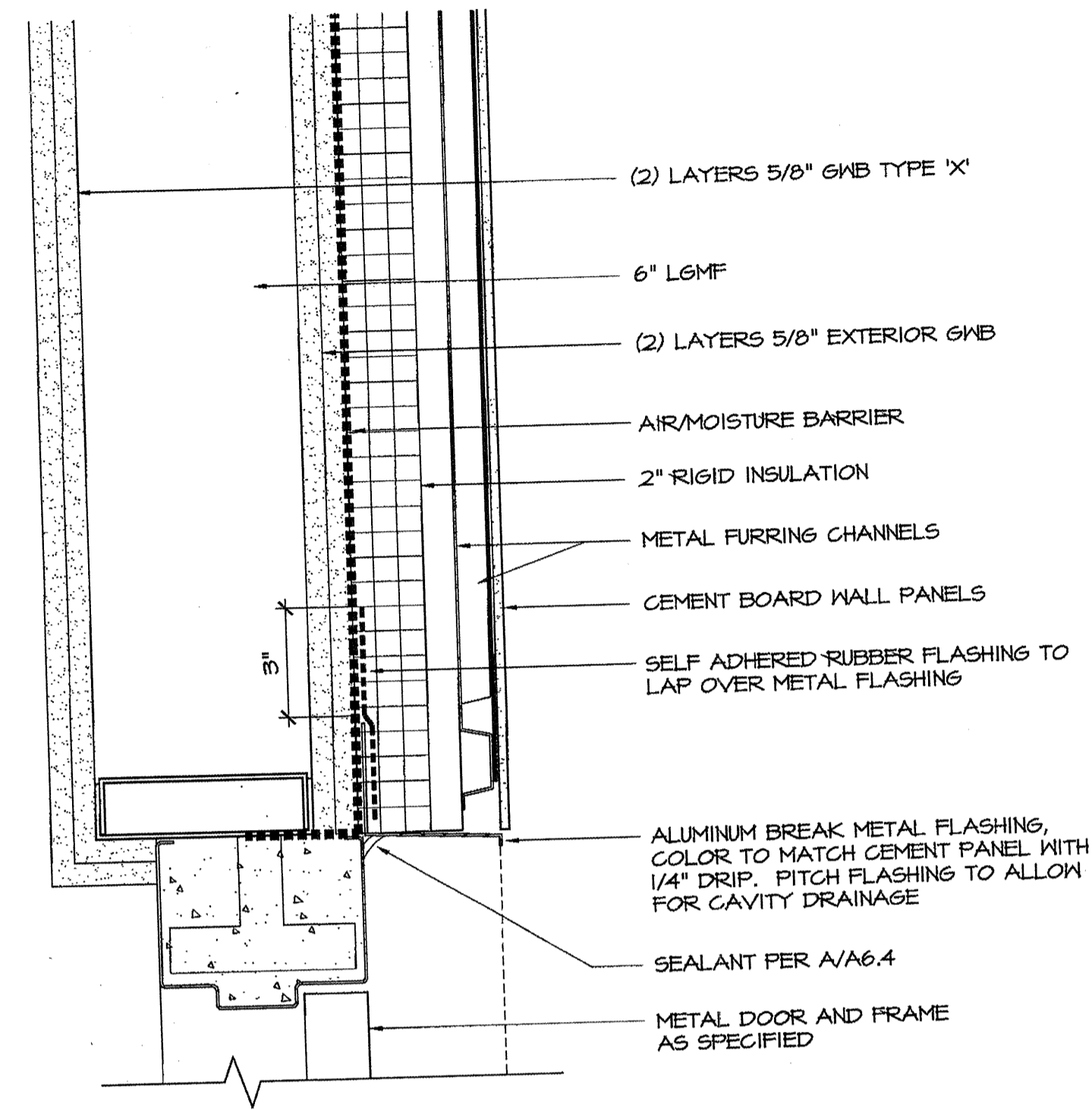
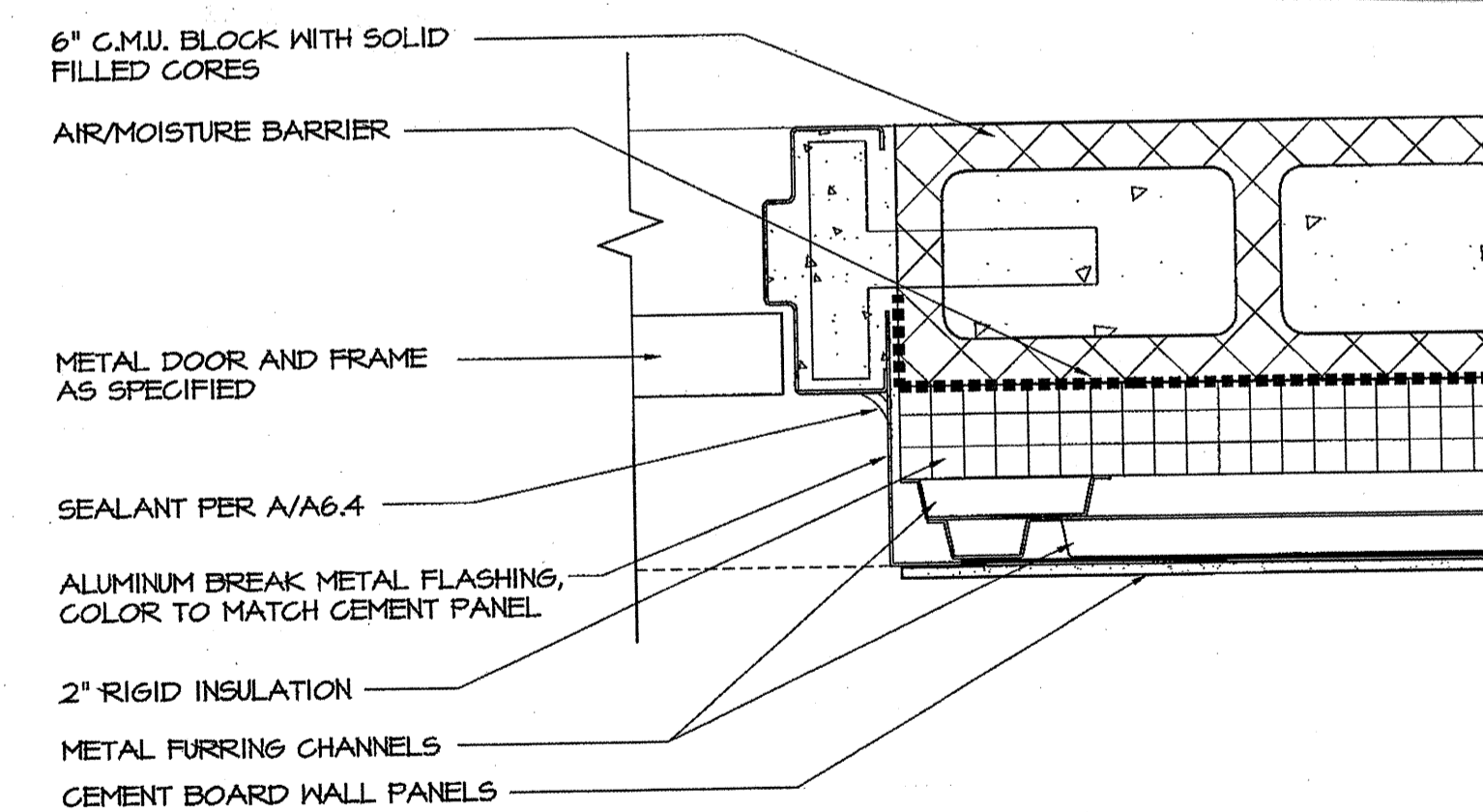


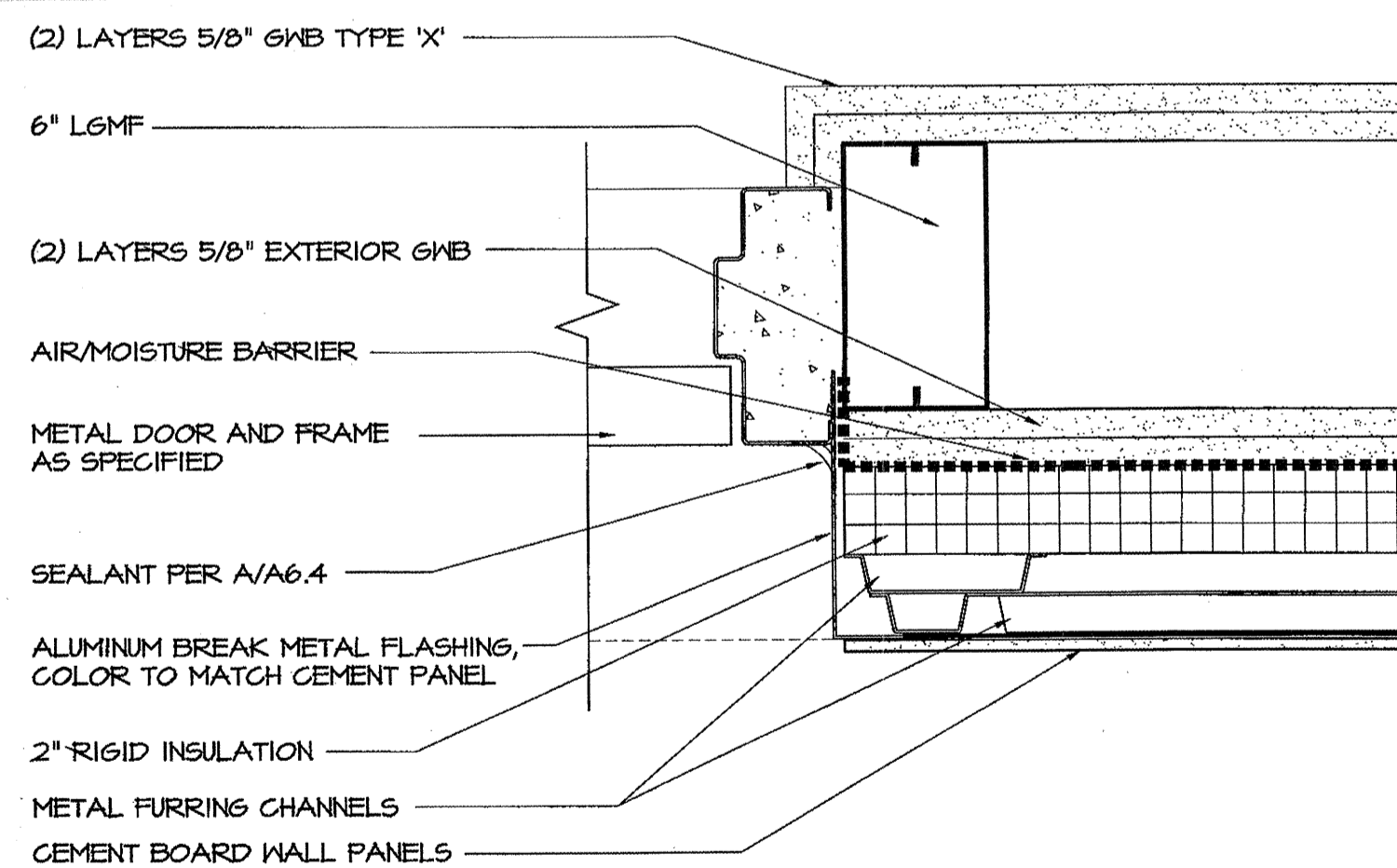
1 HEAD DETAIL AT DOOR 010B
SCALE: 3" = 1'-0"



1 HEAD DETAIL AT DOOR 550B
SCALE: 3" = 1'-0"



1 JAMB DETAIL AT DOOR 010B
SCALE: 3" = 1'-0"



1 JAMB DETAIL AT DOOR 550B
SCALE: 3" = 1'-0"