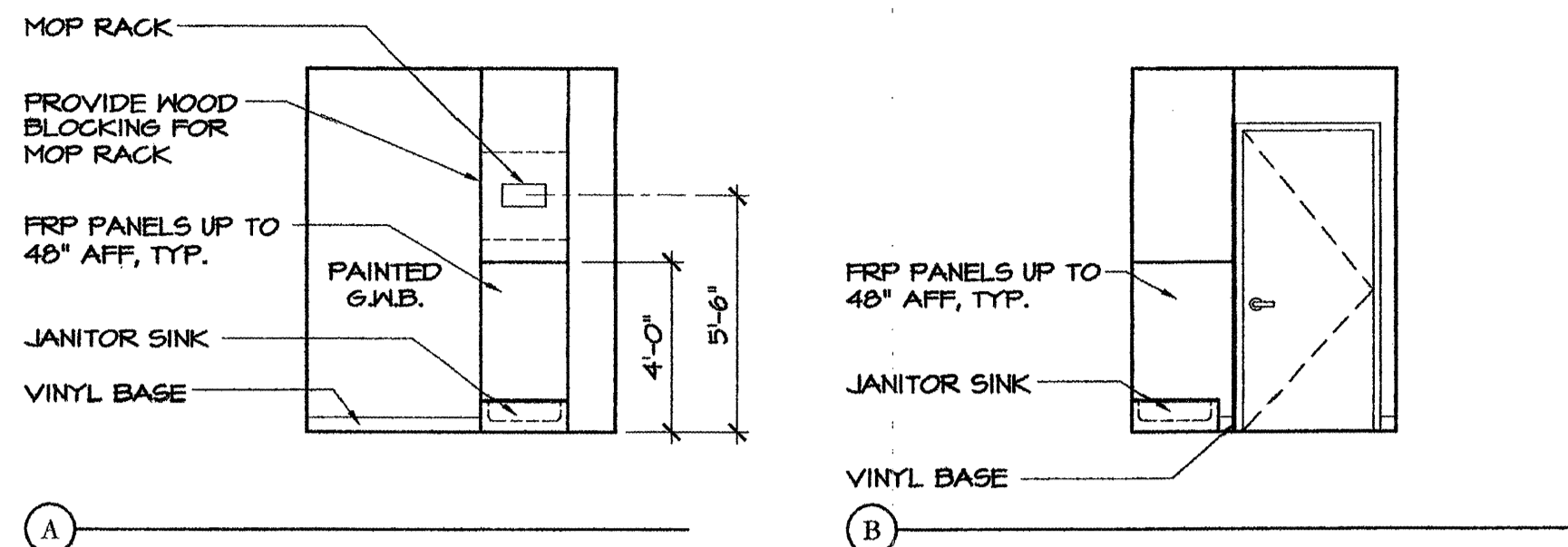
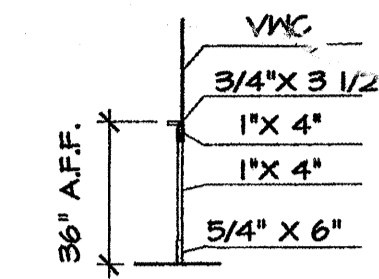


1 JANITOR'S CLOSET - ROOM #006
SCALE: 1/4" = 1'-0"

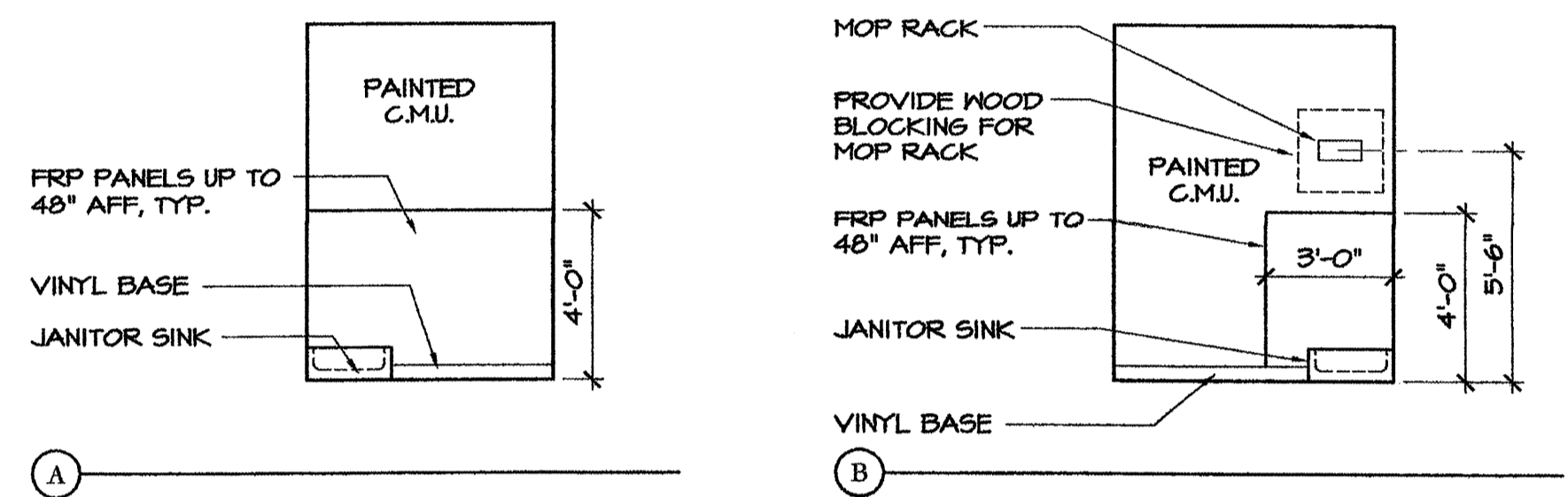


2 JANITOR'S CLOSET - ROOM #108, 208 & 308
SCALE: 1/4" = 1'-0"

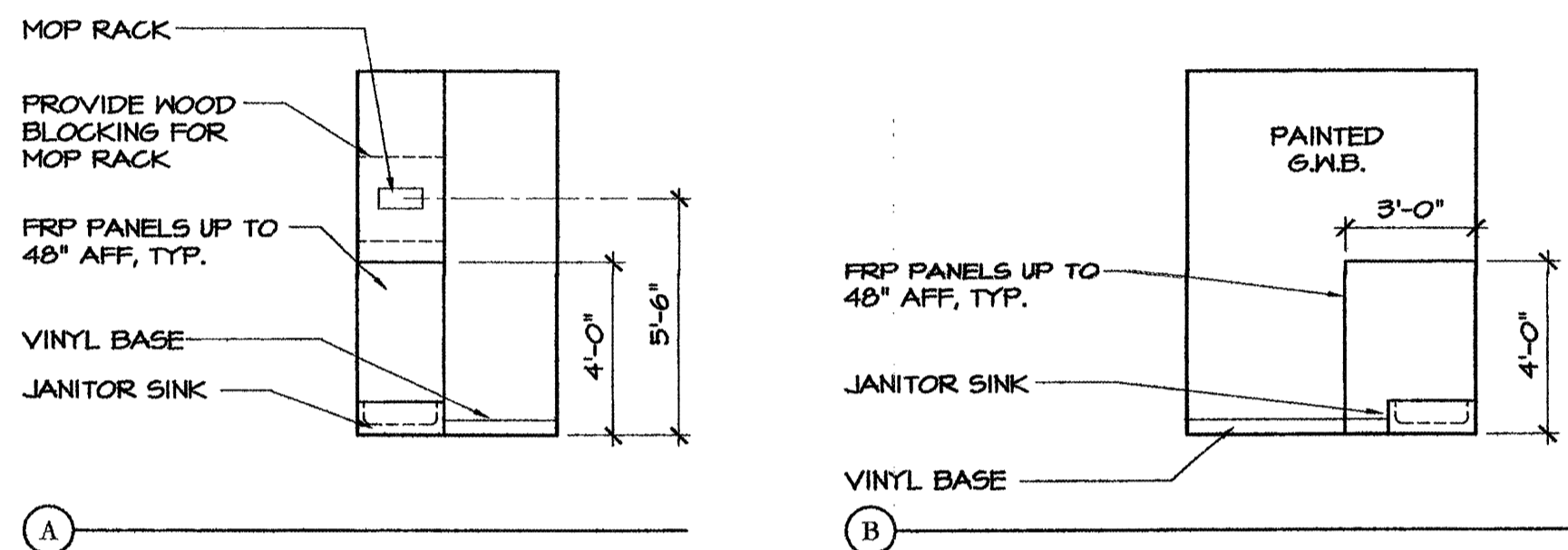
- NOTES**
1. PROVIDE WOOD BLOCKING OR OTHER SOLID ATTACHMENT MATERIAL BEHIND GYPSUM BOARD PARTITIONS FOR ATTACHMENT OF ALL FIXTURES, FITTINGS AND ACCESSORIES
 2. GRAB BARS MUST BE ABLE TO RESIST A FULL FORCE OF 350 LBS. EXERTED AT ANY POINT IN ANY DIRECTION
 3. ALL MIRRORS TO BE SUPPORTED WITH A CONTINUOUS CHROME FULL WIDTH J-CHANNEL FASTENED TO WALL ABOVE BACKSPLASH
 4. REFER TO REFLECTED CEILING PLANS FOR ALL CEILING MATERIALS AND CEILING HEIGHTS
 5. LAVATORY FAUCET CONTROLS TO HAVE HOT AND COLD DESIGNATIONS PERMANENTLY AFFIXED TO THEM
 6. SEE SPECIFICATIONS FOR APPROVED MANUFACTURERS AND MODEL NUMBERS OF ALL TOILET/BATH ACCESSORIES



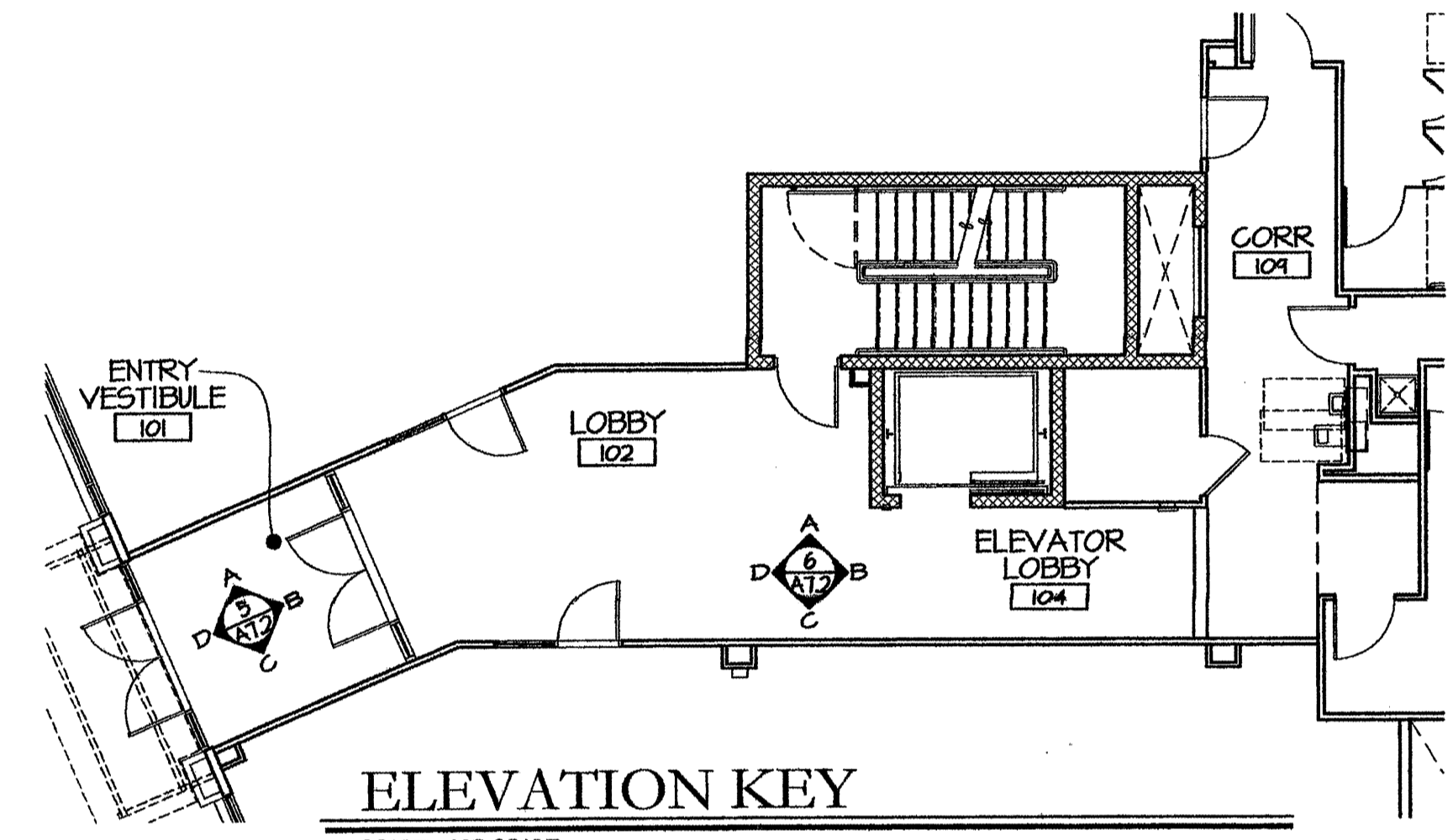
7 DETAIL AT HARDWOOD PANEL
SCALE: 1/4" = 1'-0"



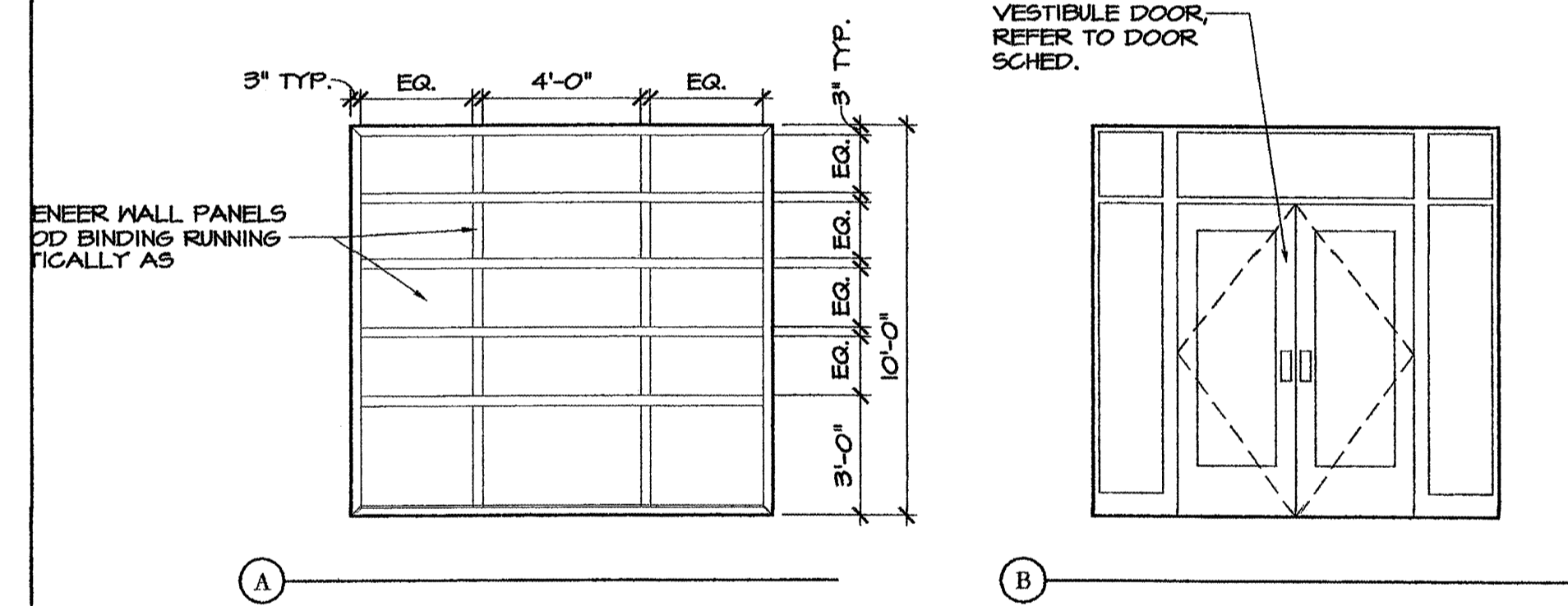
3 JANITOR'S CLOSET - ROOM #402
SCALE: 1/4" = 1'-0"



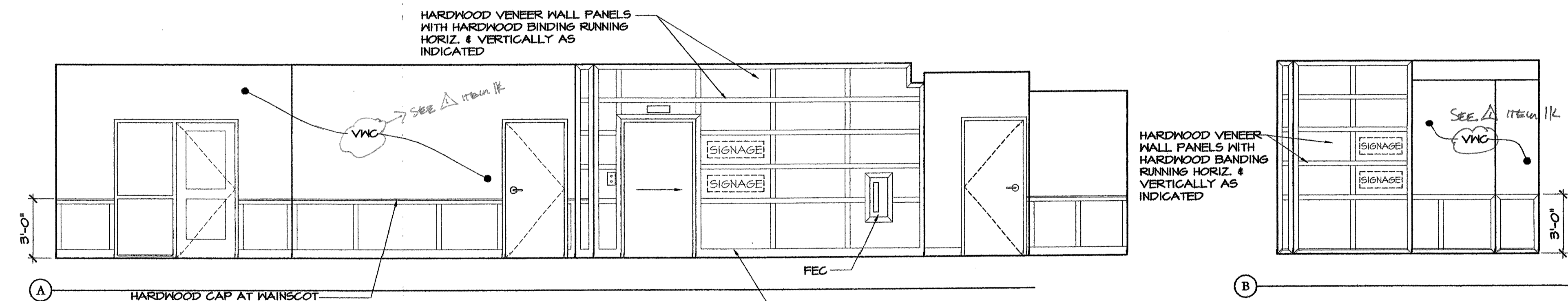
4 JANITOR'S CLOSET - ROOM #508
SCALE: 1/4" = 1'-0"



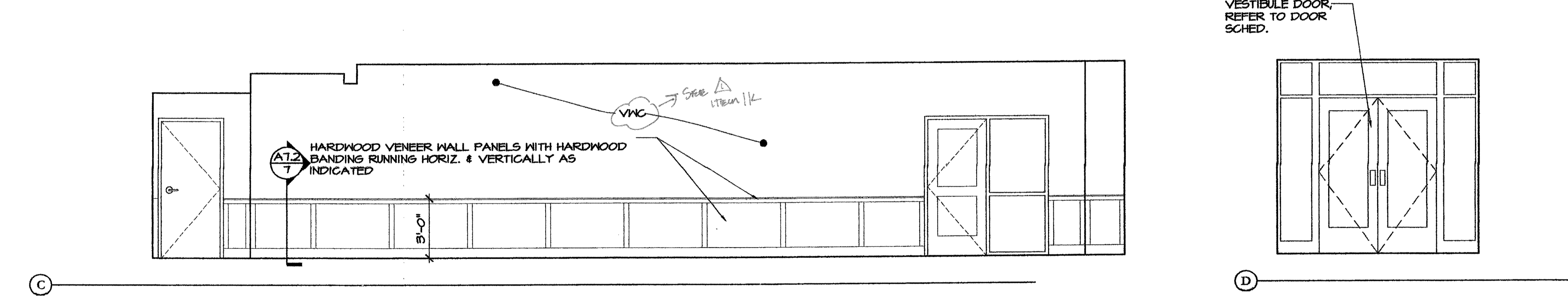
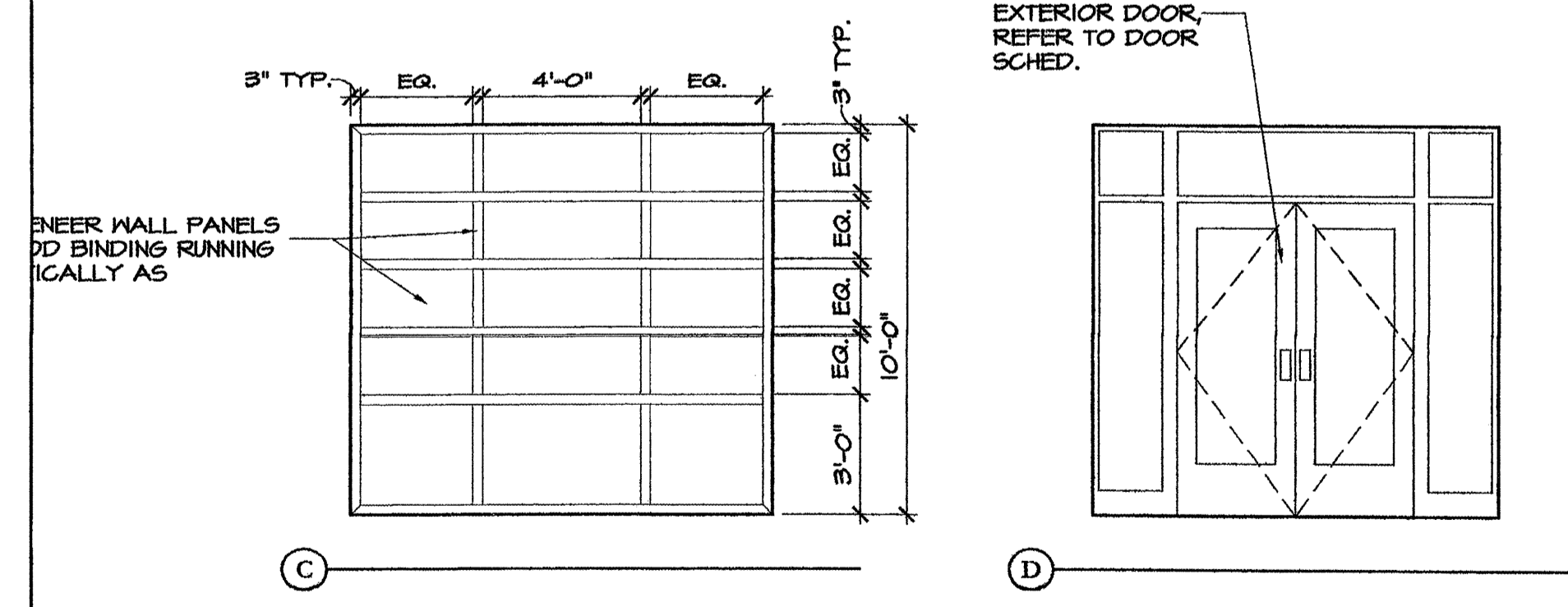
ELEVATION KEY
SCALE: NO SCALE



5 ENTRY VESTIBULE - ROOM #101
SCALE: 1/4" = 1'-0"



6 LOBBY 102 / ELEVATOR LOBBY - ROOM # 101
SCALE: 1/4" = 1'-0"



NOT FOR CONSTRUCTION
05/26/06