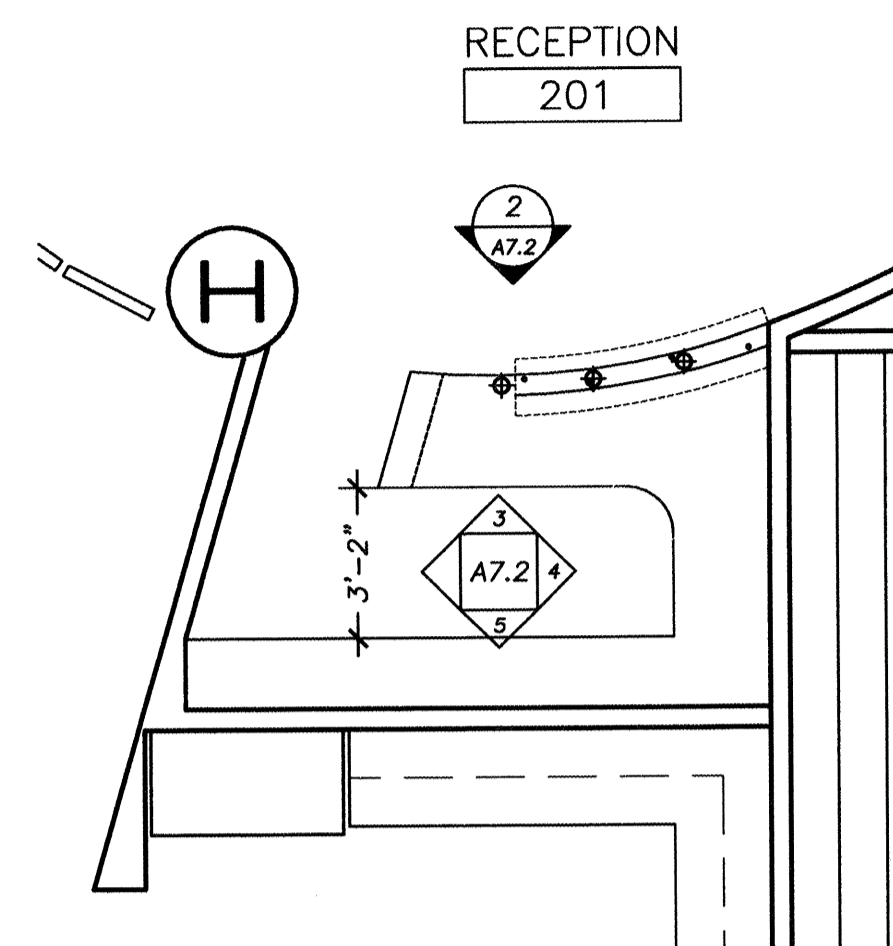
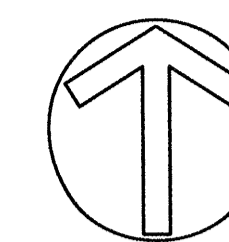
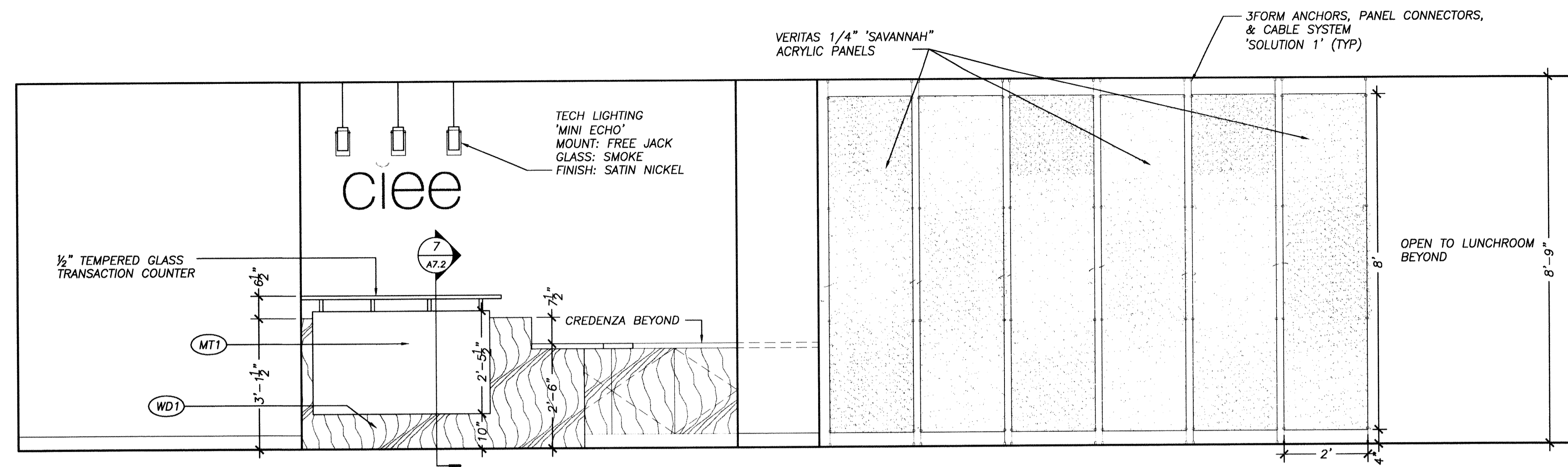


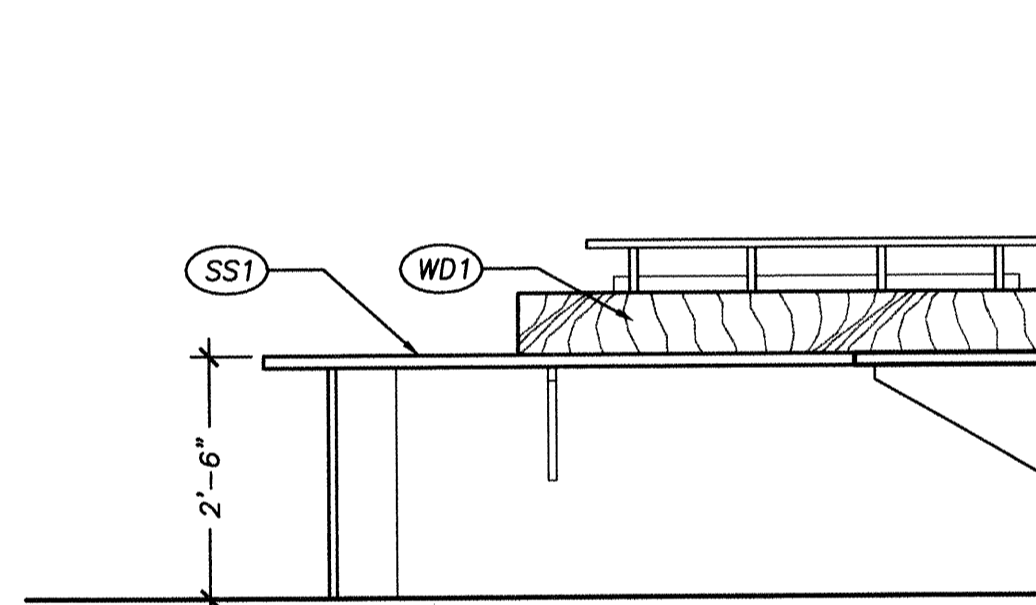
NOTES:



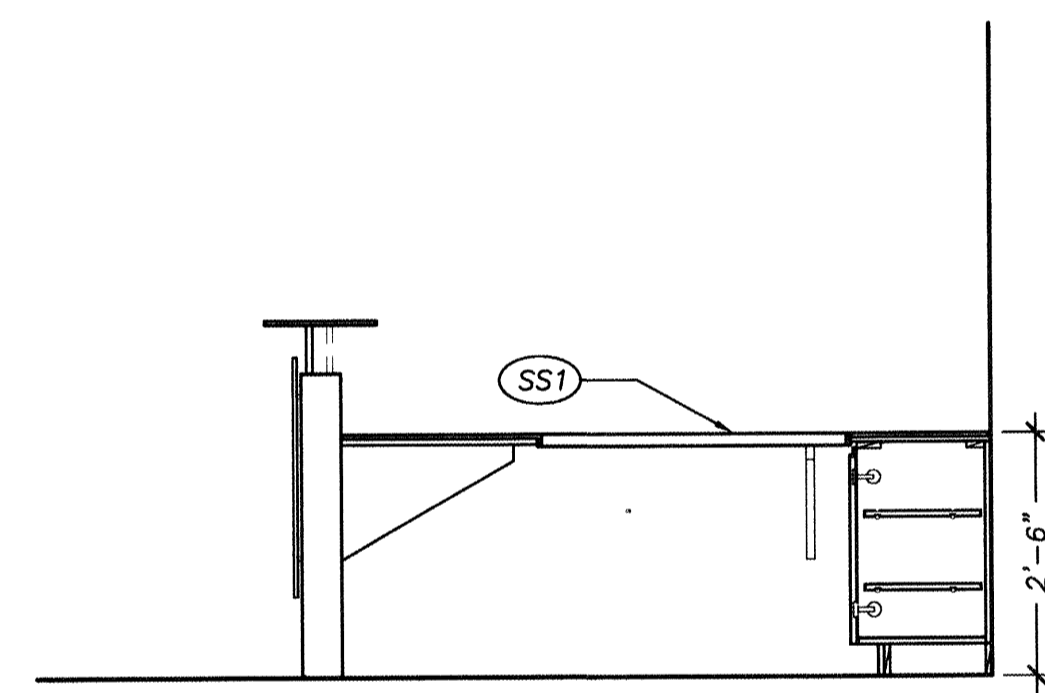
1 NEW CONSTRUCTION - ENLARGED KITCHEN PLAN
SCALE: 1/4" = 1'-0"



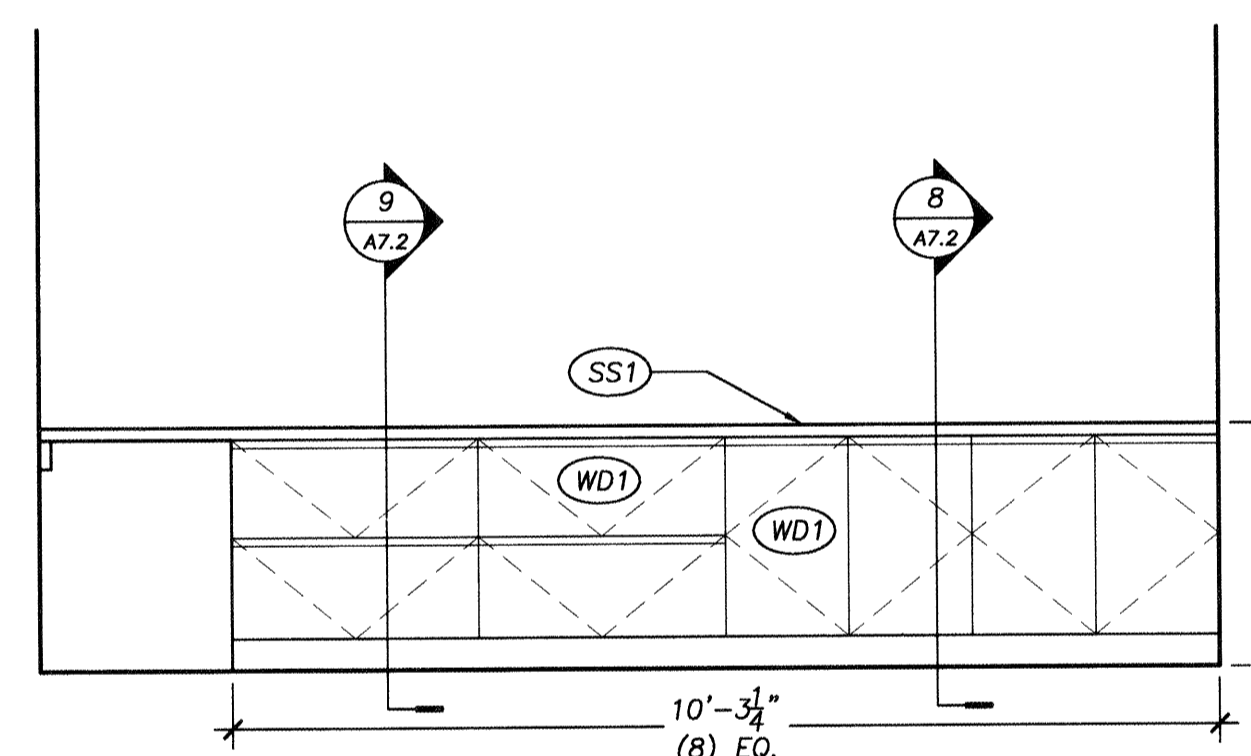
2 ELEVATION @ RECEPTION DESK
SCALE: 1/2" = 1'-0"



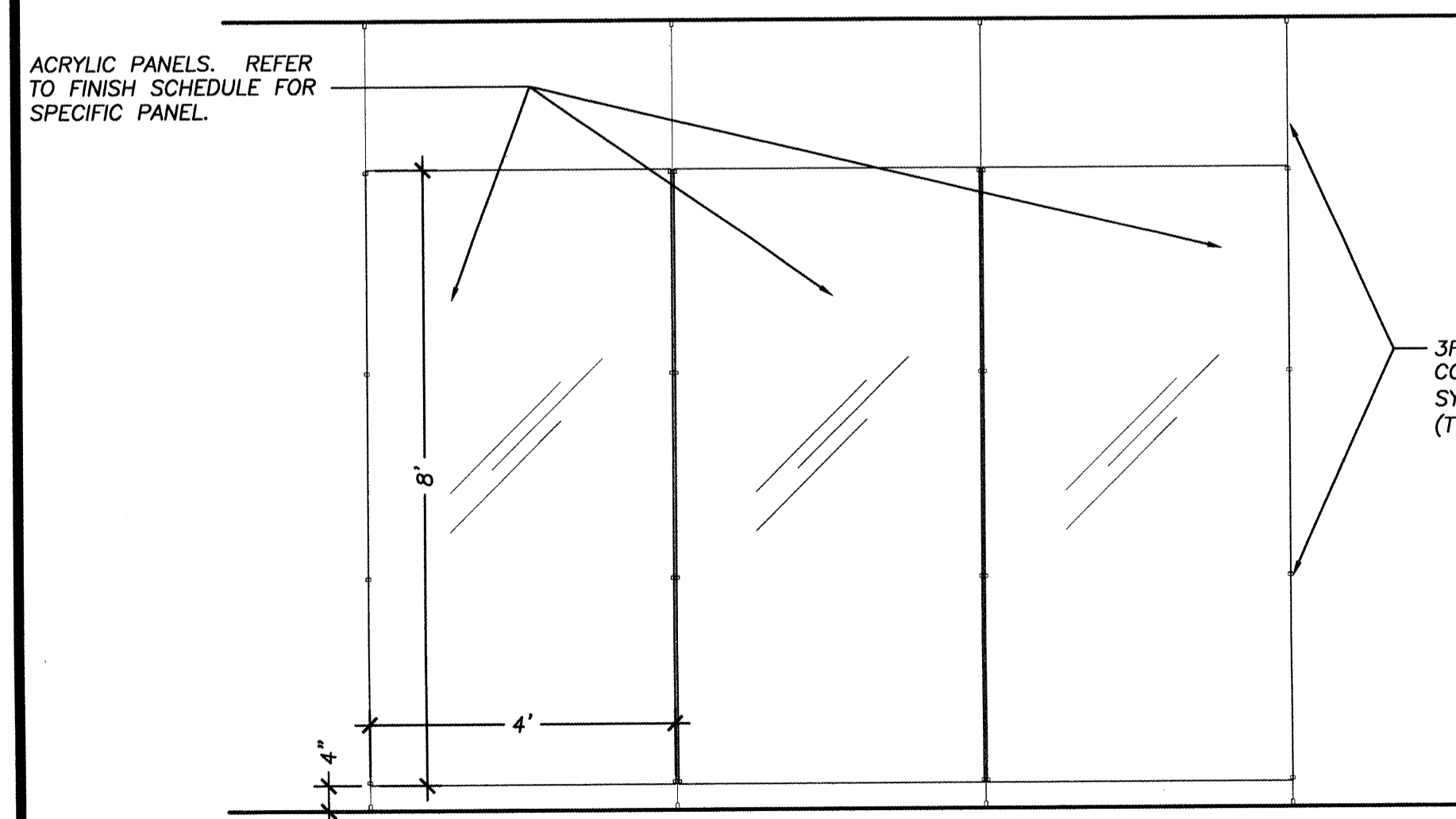
3 ELEVATION @ RECEPTION DESK
SCALE: 1/2" = 1'-0"



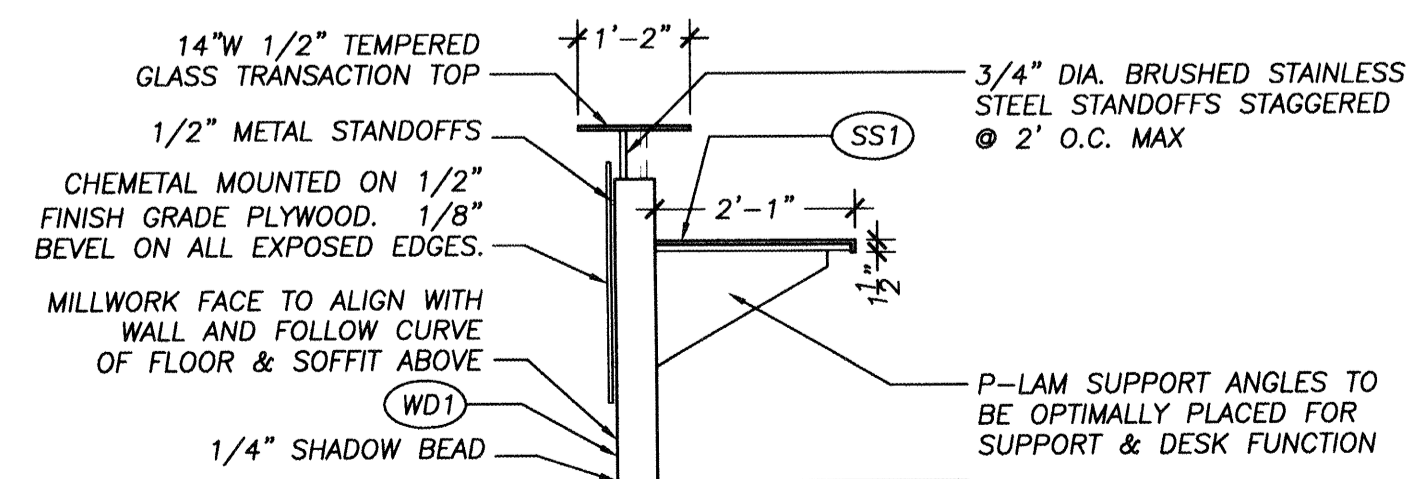
4 ELEVATION @ RECEPTION DESK
SCALE: 1/2" = 1'-0"



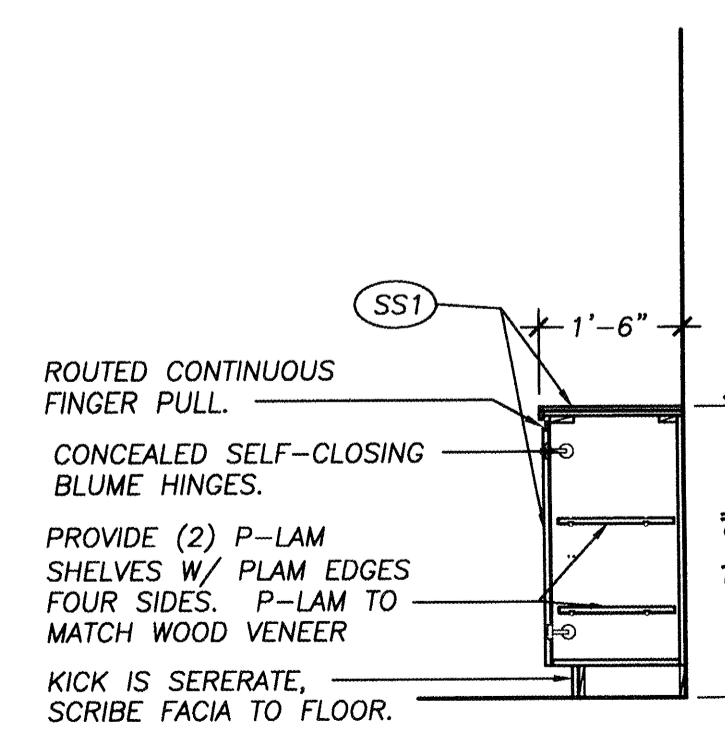
5 ELEVATION @ RECEPTION DESK
SCALE: 1/2" = 1'-0"



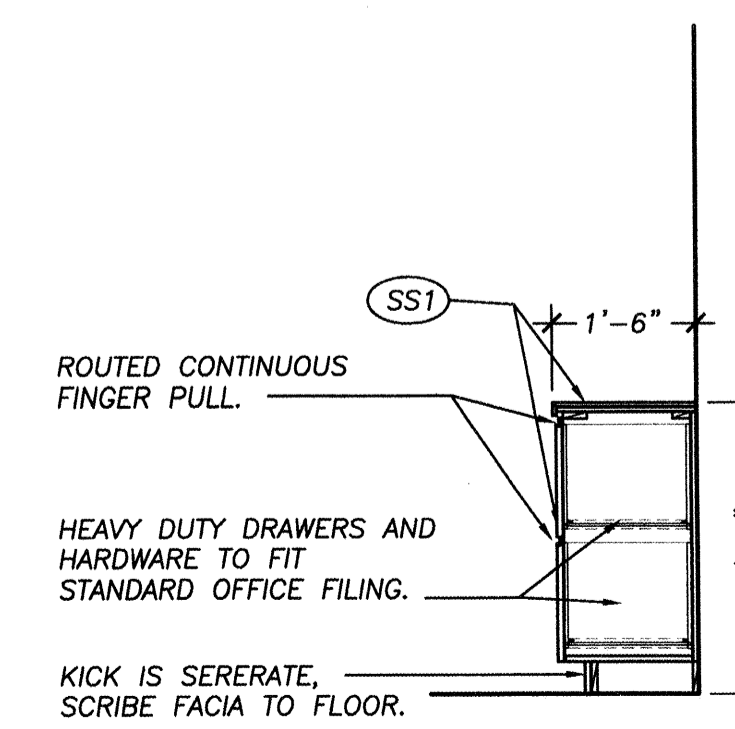
6 ACRYLIC PANELS FLOORS 3, 4, & 5 (TYP)
SCALE: 1/2" = 1'-0"



7 DETAIL @ RECEPTION DESK
SCALE: 1/2" = 1'-0"



8 DETAIL @ RECEPTION DESK
SCALE: 1/2" = 1'-0"



9 DETAIL @ RECEPTION DESK
SCALE: 1/2" = 1'-0"

G.C. TO SUBMIT SAMPLES OF ALL FINISHES AND MILLWORK DRAWINGS TO ARCHITECT FOR APPORVAL.

ISSUE	DESCRIPTION	DATE		
ISSUE A	FINAL FINISH PLANS	10 JAN 07		
A	B	C	D	E

M McMahon Architects Inc.
535 Albany Street
Boston, MA 02118
P 617.482.5353
F 617.482.3288

JOB TITLE:
CIEE - CUSTOM HOUSE SQUARE
300 FORE STREET
PORTLAND, MAINE

SCALE: AS NOTED
DRAWN: SPG
JOB NO.: 26-2045

SHEET TITLE:
NEW CONSTRUCTION-
2ND FLOOR RECEPTION PLANS,
DETAILS, & ELEVATIONS