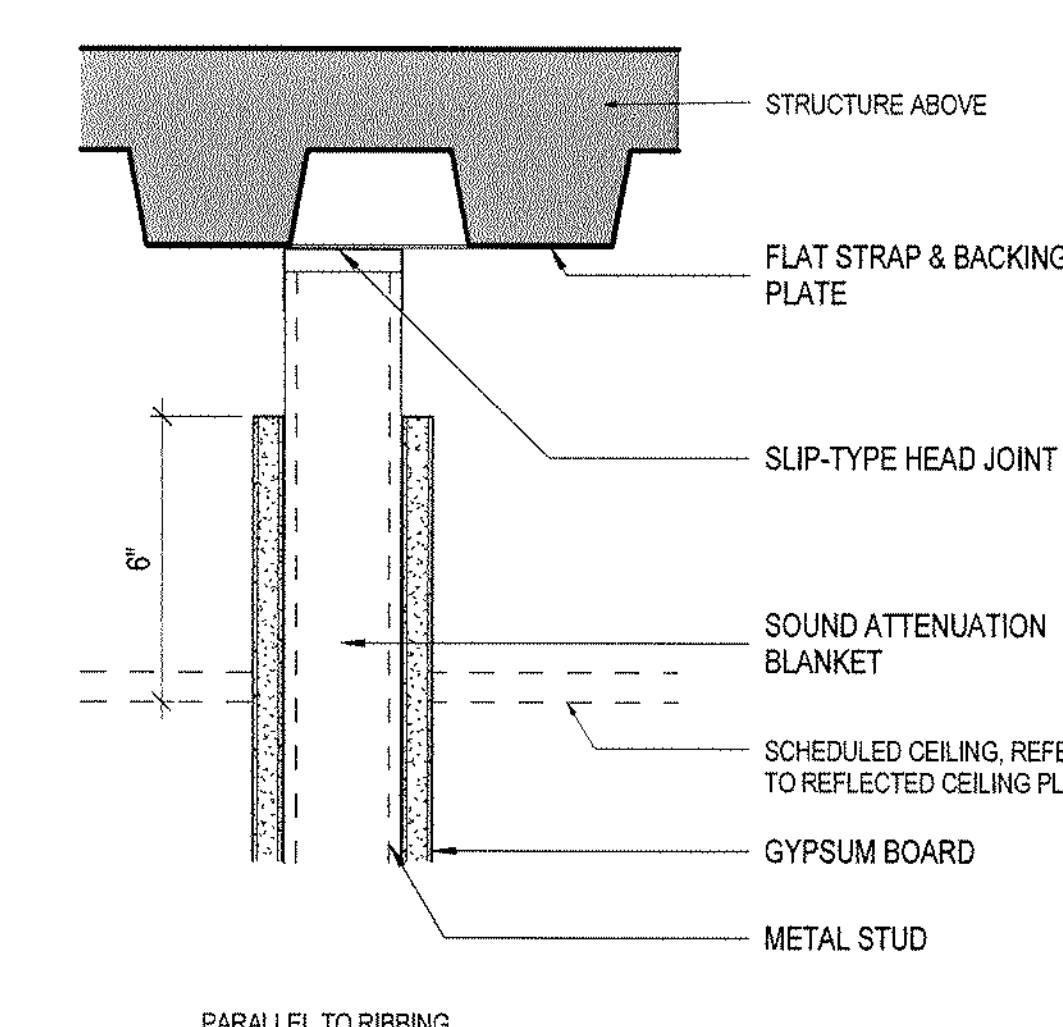
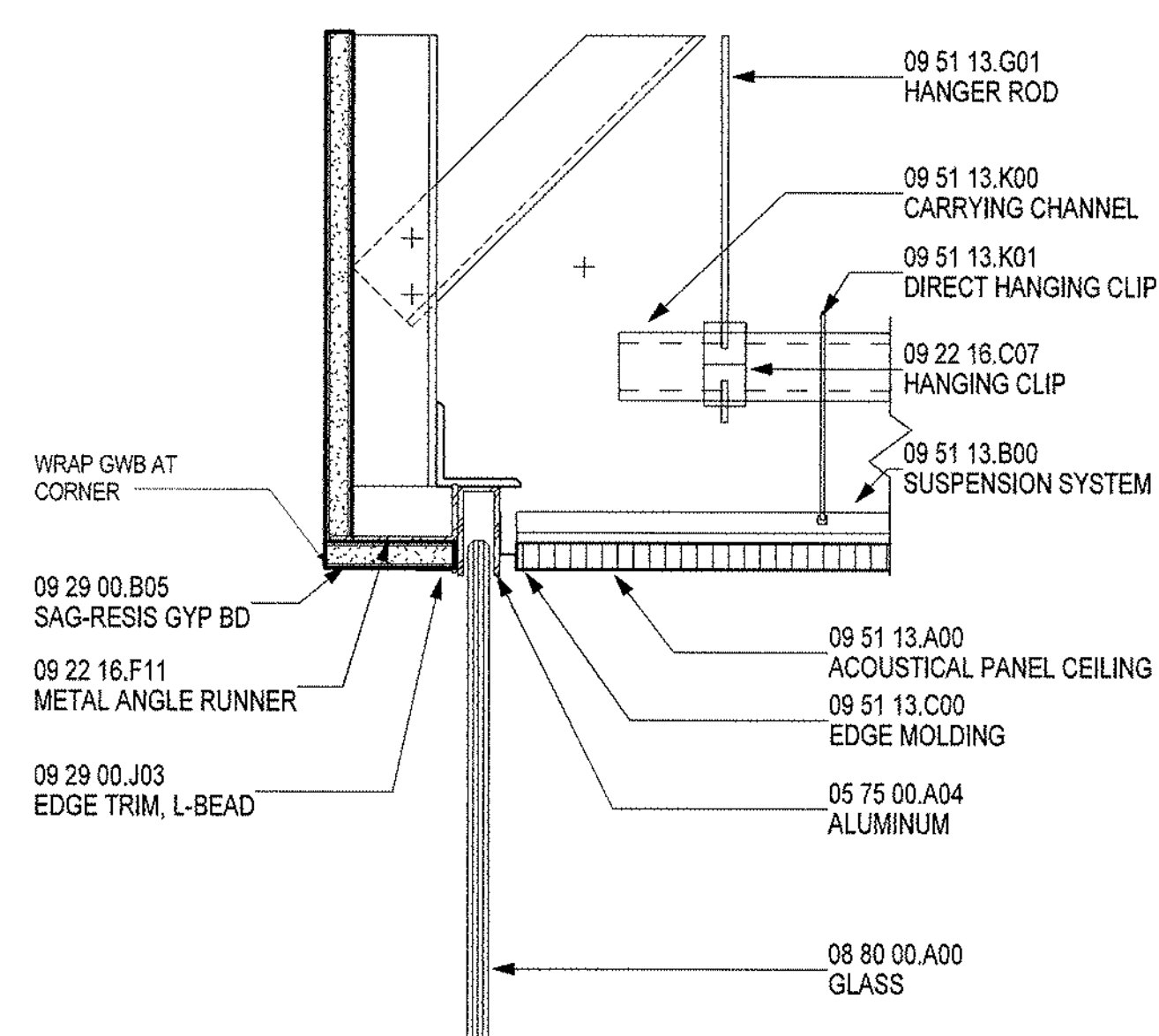


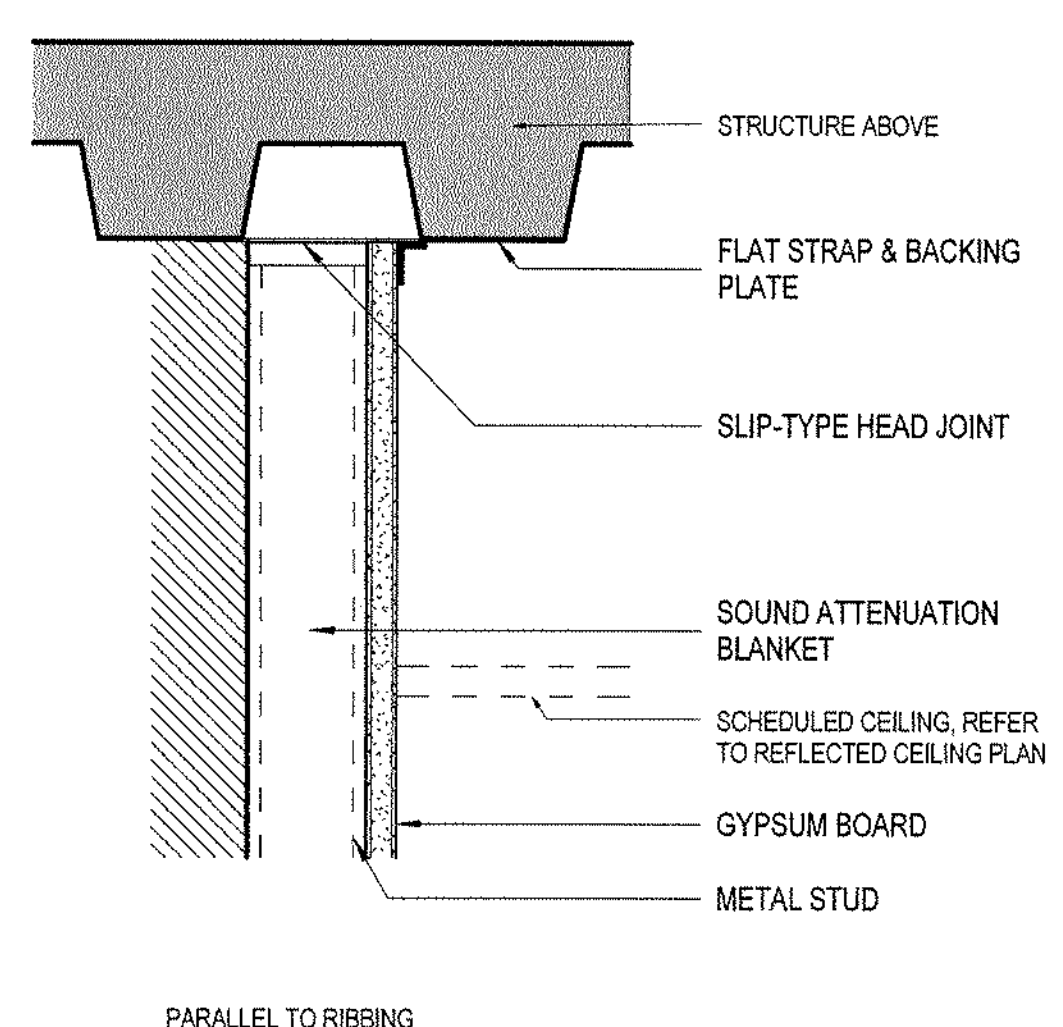
8 D-T03 - DETAIL-TOP OF PARTITION
SCALE: 3" = 1'-0"



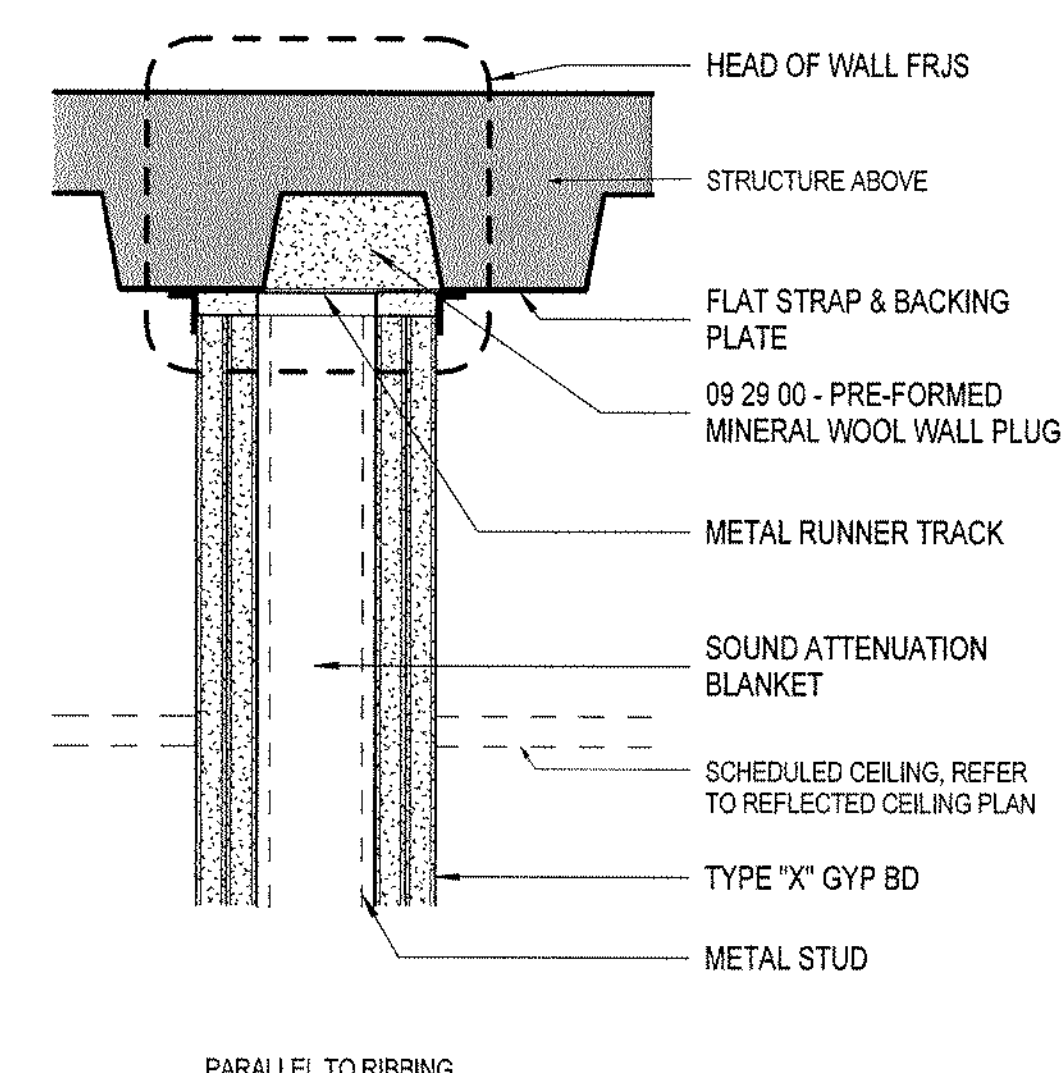
3 A-T03 - DETAIL-TOP OF PARTITION
SCALE: 3" = 1'-0"



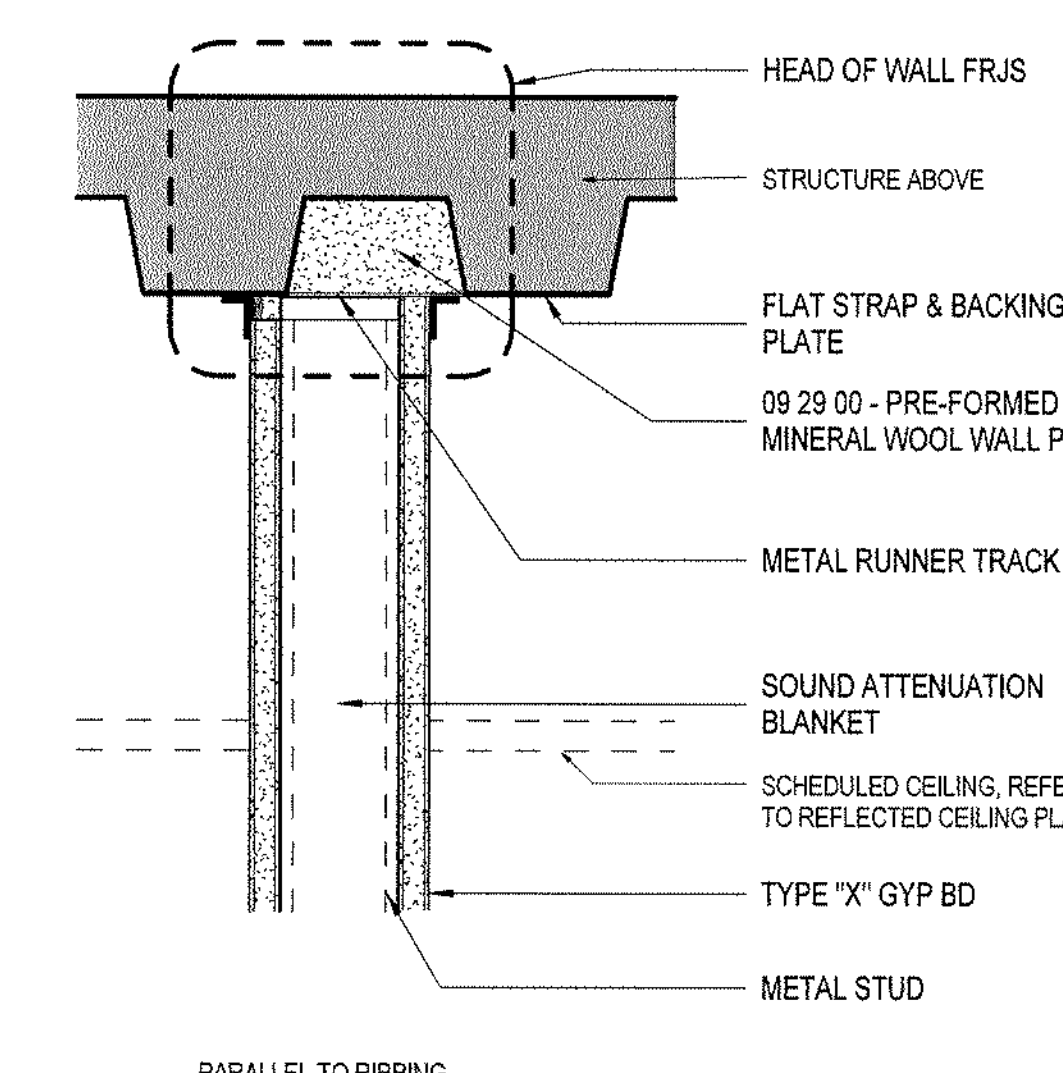
9 GL2-T01 TOP OF PARTITION
SCALE: 3" = 1'-0"



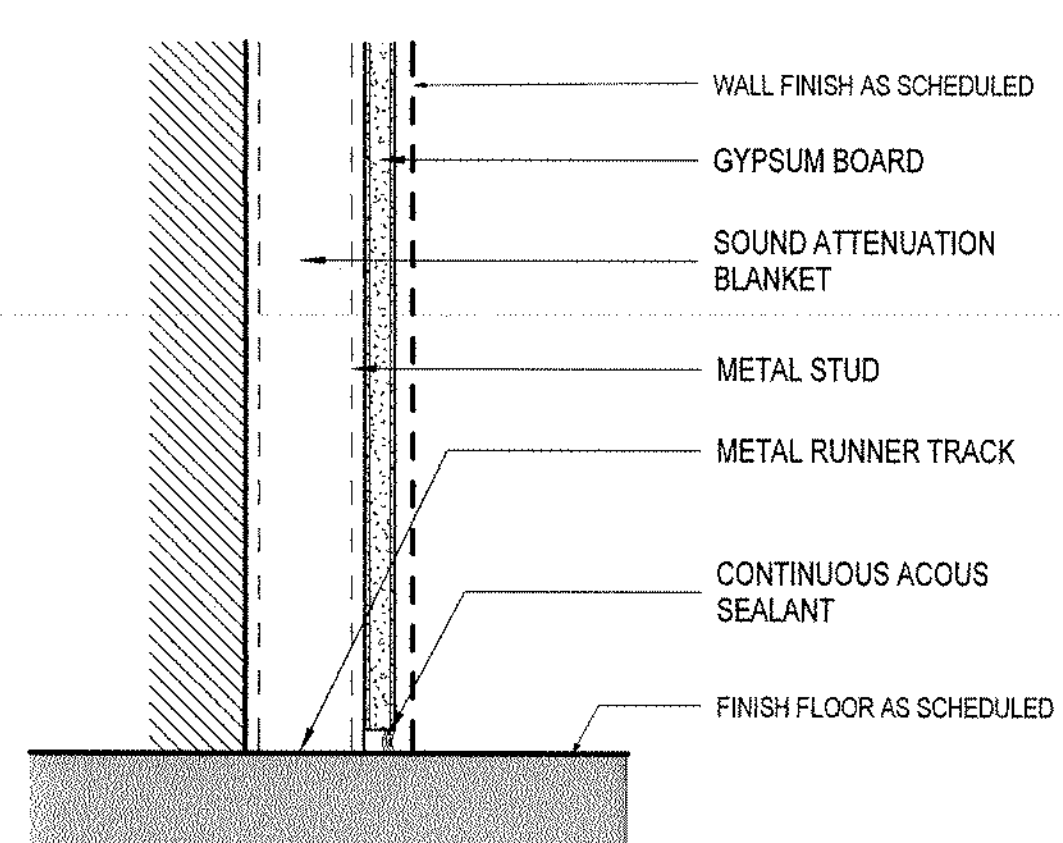
7 D-T02 - DETAIL-TOP OF PARTITION
SCALE: 3" = 1'-0"



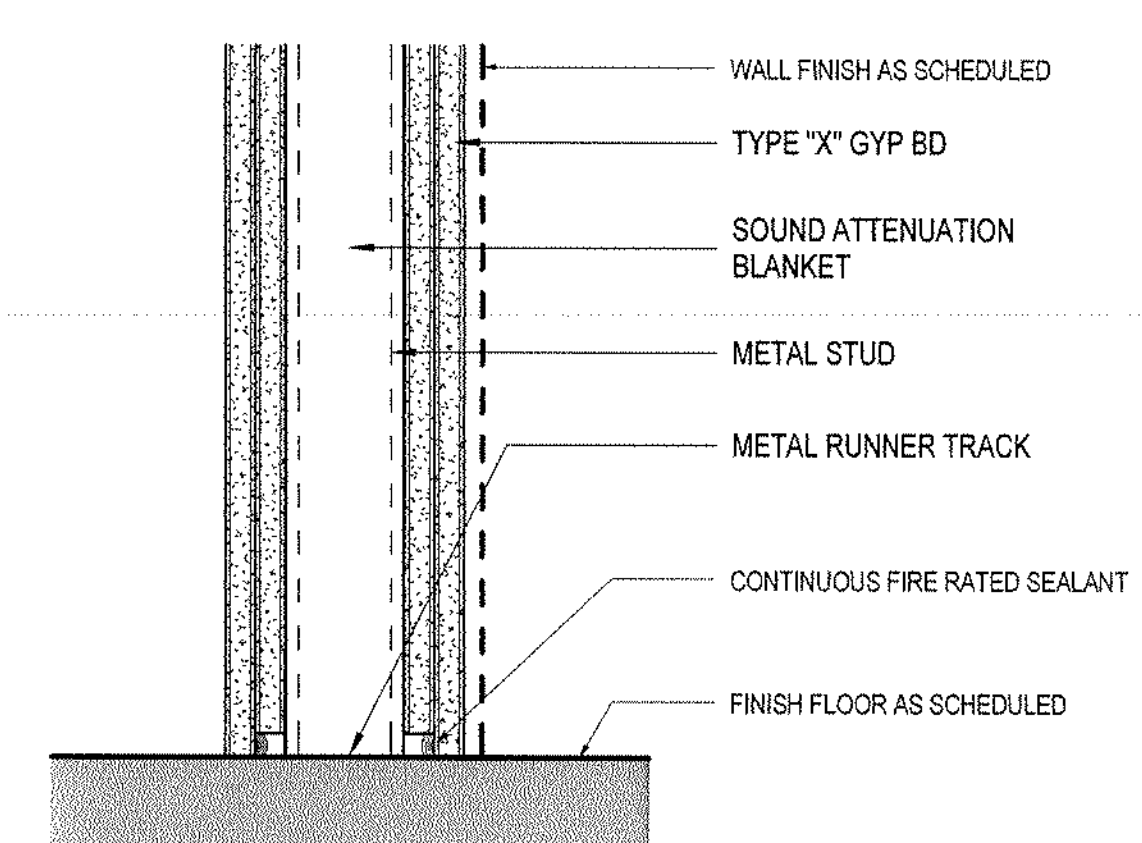
5 B-T02 - DETAIL-TOP OF PARTITION
SCALE: 3" = 1'-0"



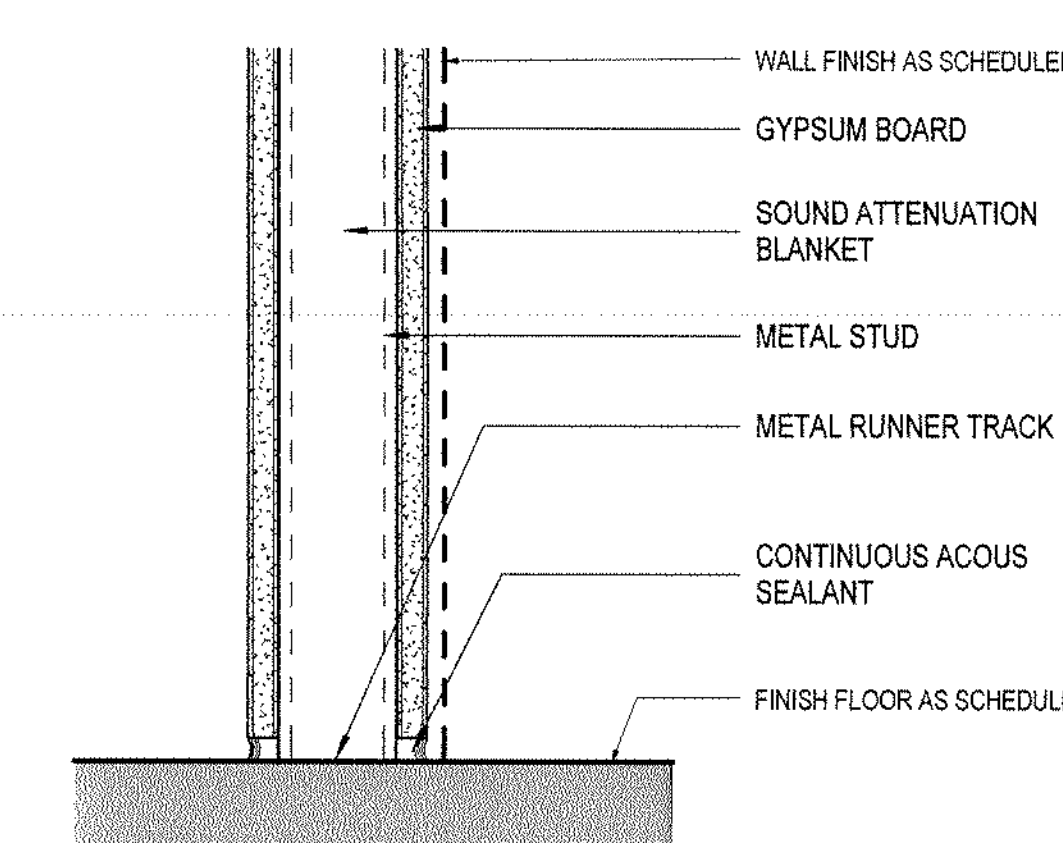
2 A-T02 - DETAIL-TOP OF PARTITION
SCALE: 3" = 1'-0"



6 D-B01 - DETAIL-BOTTOM OF PARTITION
SCALE: 3" = 1'-0"



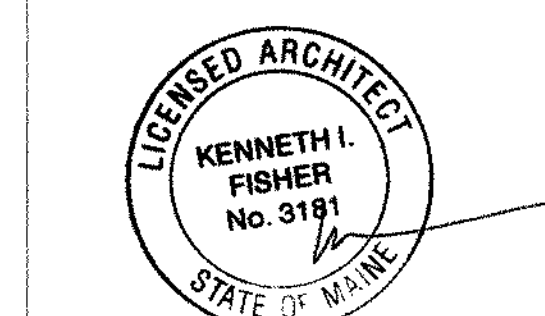
4 B-B01 - DETAIL-BOTTOM OF PARTITION
SCALE: 3" = 1'-0"



1 A-B01 - DETAIL-BOTTOM OF PARTITION
SCALE: 3" = 1'-0"

Date & Issue Description	By	Check
09/16/16 ISSUED FOR PERMIT	ACH	IAQ GL

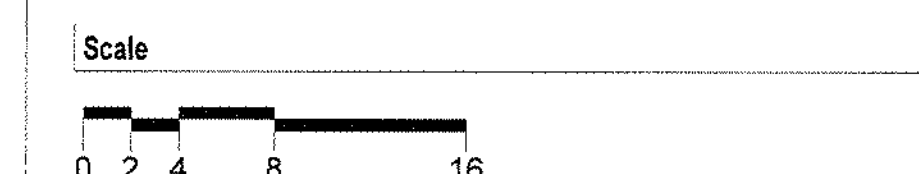
Seal/Signature



Project Name
CIEE HQ Renovations

Project Number
11.7096.000

Description
TYPICAL PARTITION DETAILS



A09.200