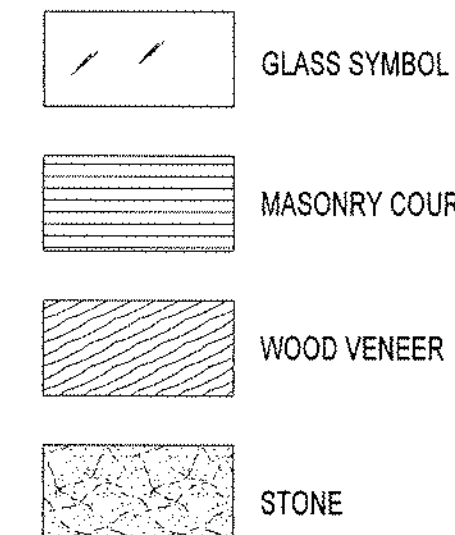
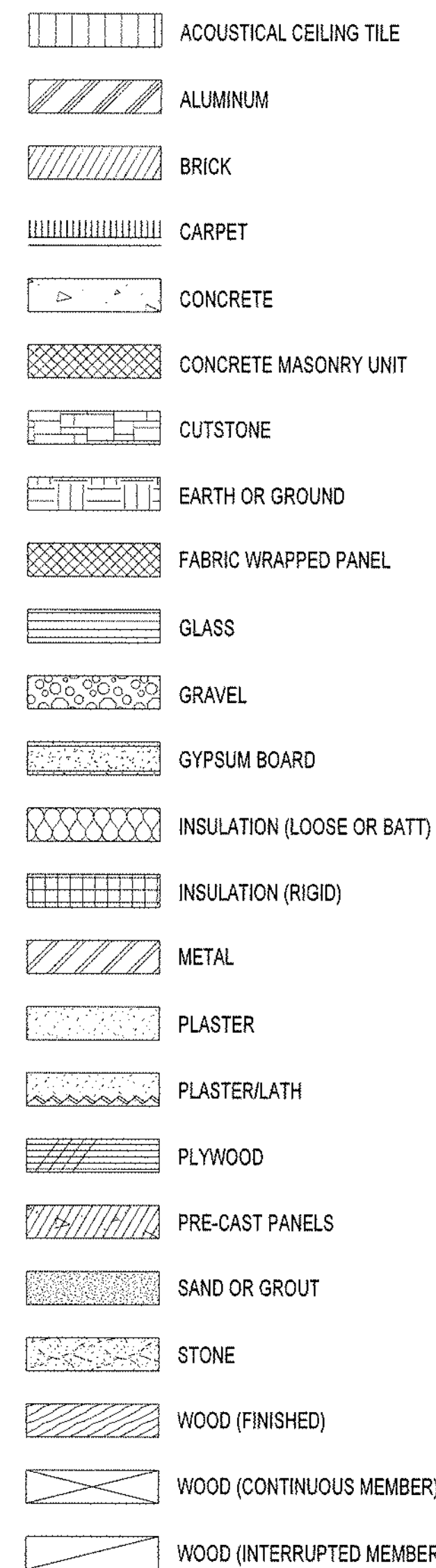


**GRAPHICS SYMBOLS (CONT.)**

**ELEVATION INDICATIONS**

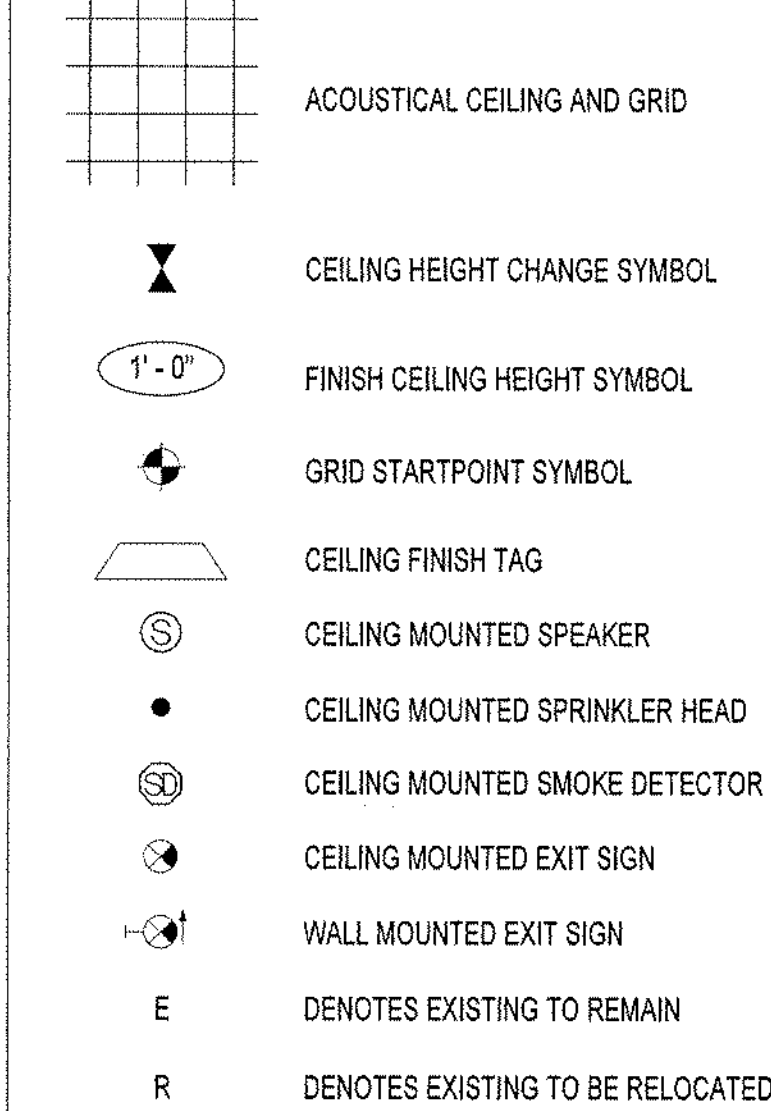


**SECTION INDICATIONS**

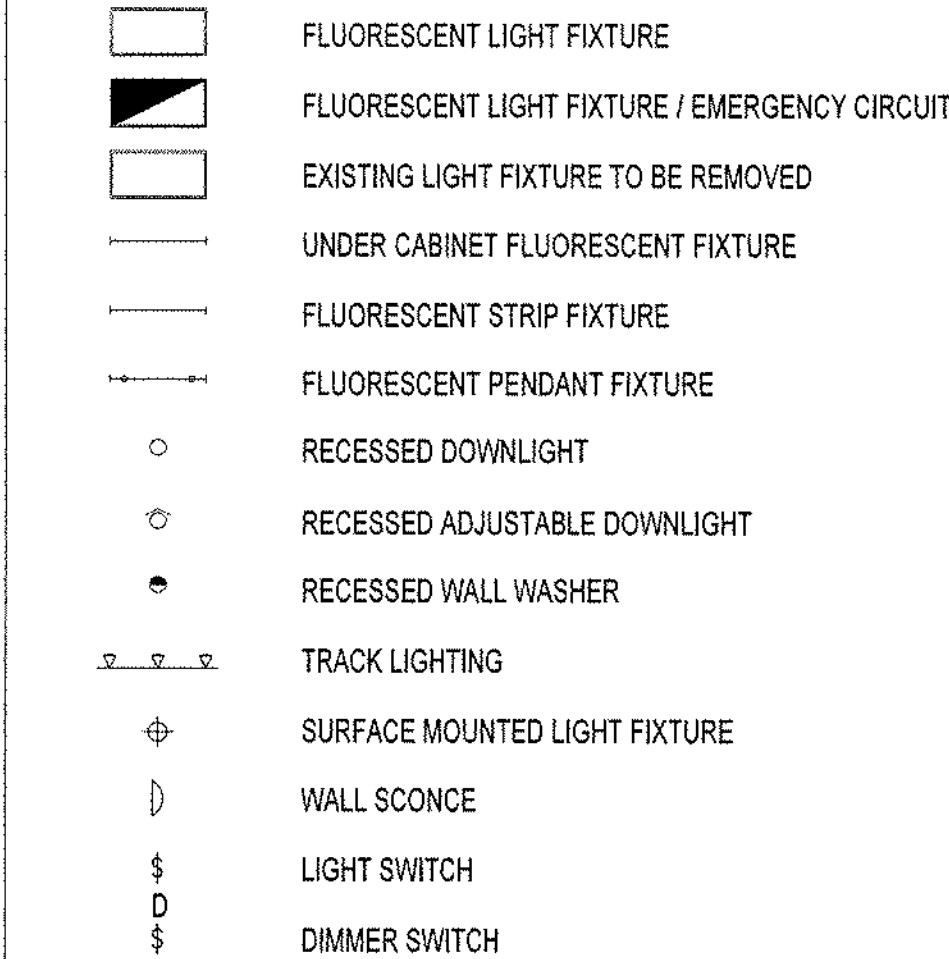


**GRAPHICS SYMBOLS (CONT.)**

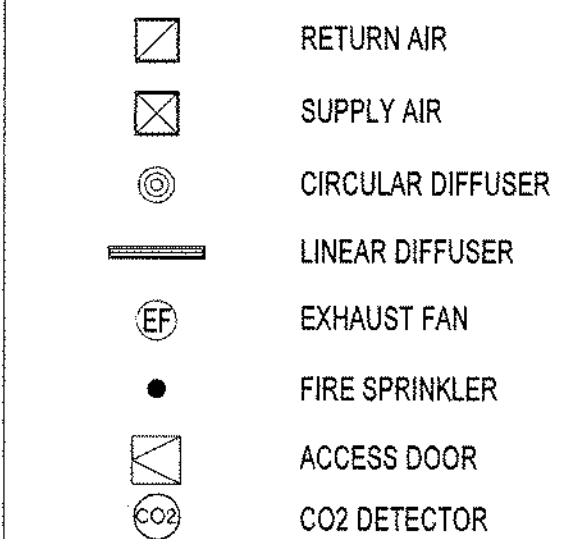
**REFLECTED CEILING**



**LIGHT FIXTURES**

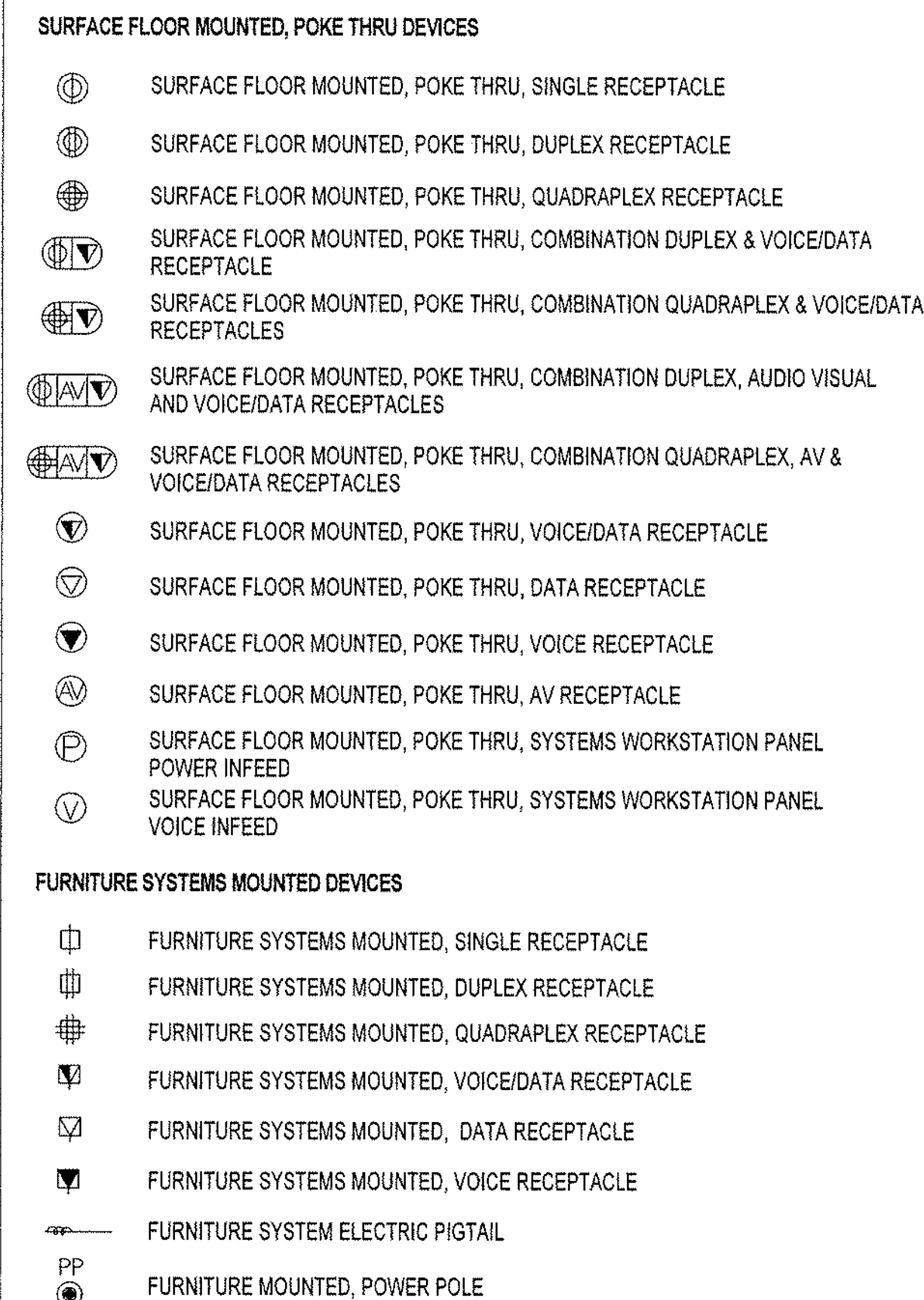


**MECHANICAL FIXTURES**



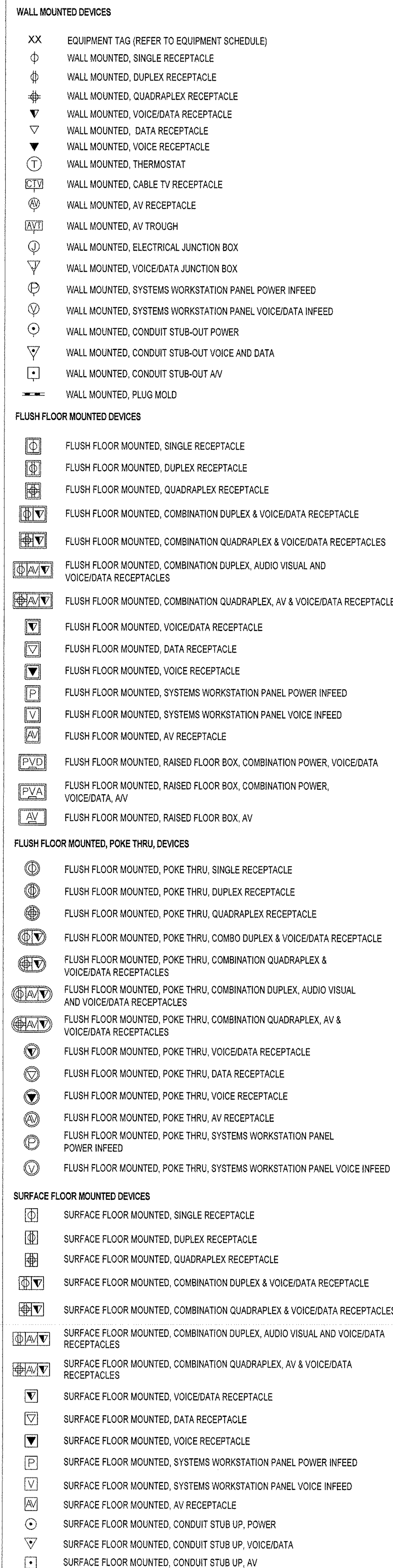
**GRAPHICS SYMBOLS (CONT.)**

**POWER AND COMMUNICATION, CONT**



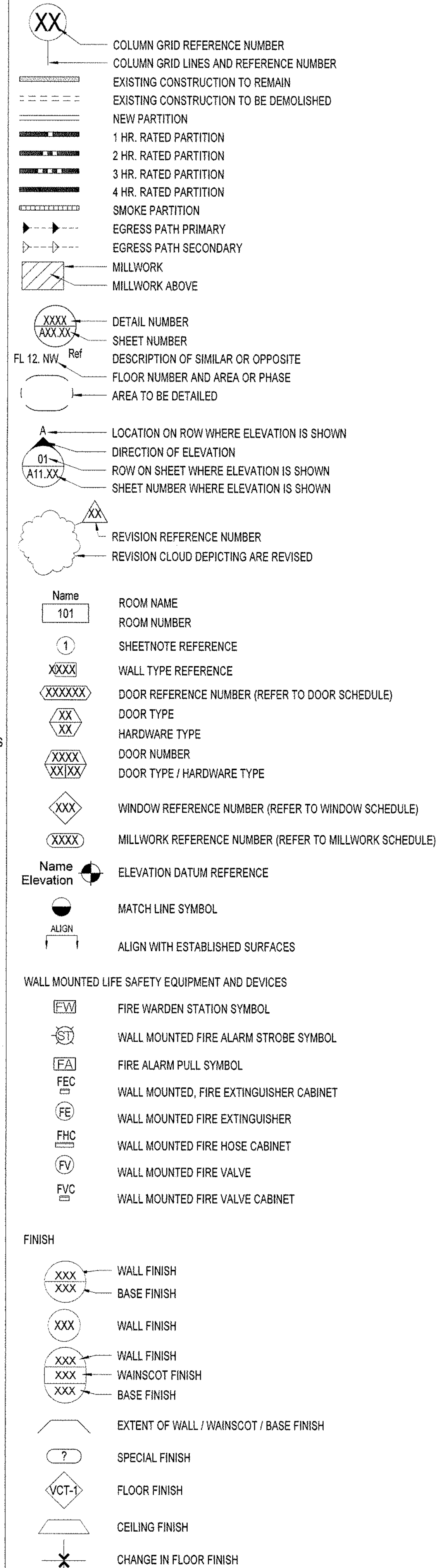
**GRAPHICS SYMBOLS (CONT.)**

**POWER AND COMMUNICATION**



**GRAPHICS SYMBOLS**

**CONSTRUCTION**

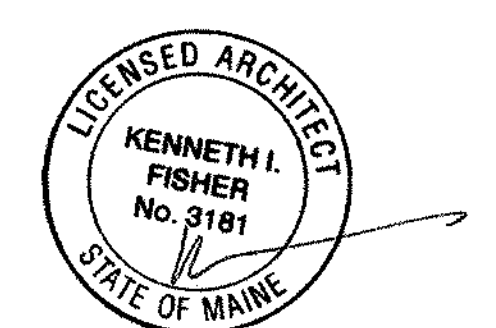


**ciee**  
Council on International Educational Exchange  
300 Fore Street  
Portland, ME

**Gensler**  
One Beacon Street  
Third Floor  
Boston MA 02108  
(617) 619-5700  
(617) 619-5701

Date & Issue Description	By	Check
09/16/16 ISSUED FOR PERMIT	ACH	IAQ GL

Seal/Signature



Project Name  
CIEE HQ Renovations

Project Number  
11.7086.000

Description  
GRAPHIC SYMBOLS

Scale  
1/8" = 1'-0"

**A00.011**

© 2016 Gensler