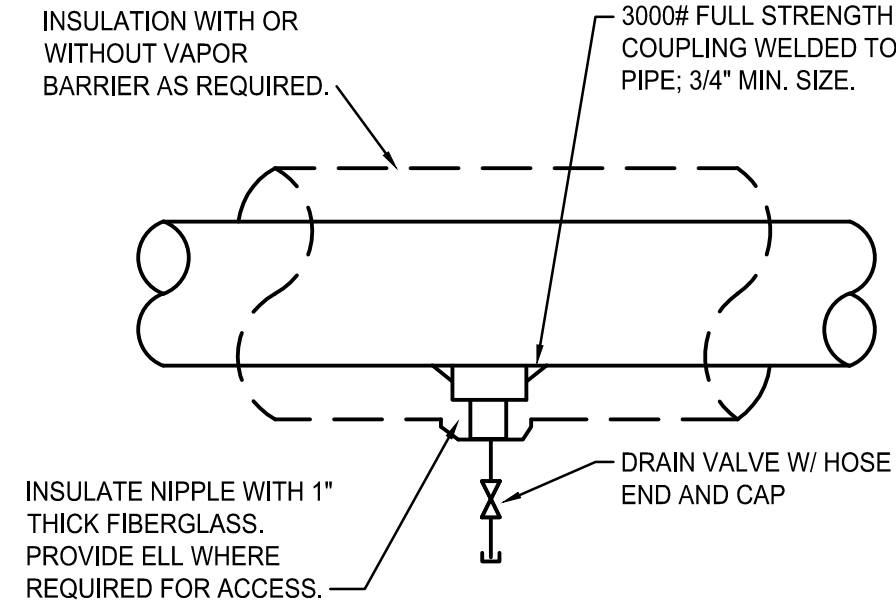
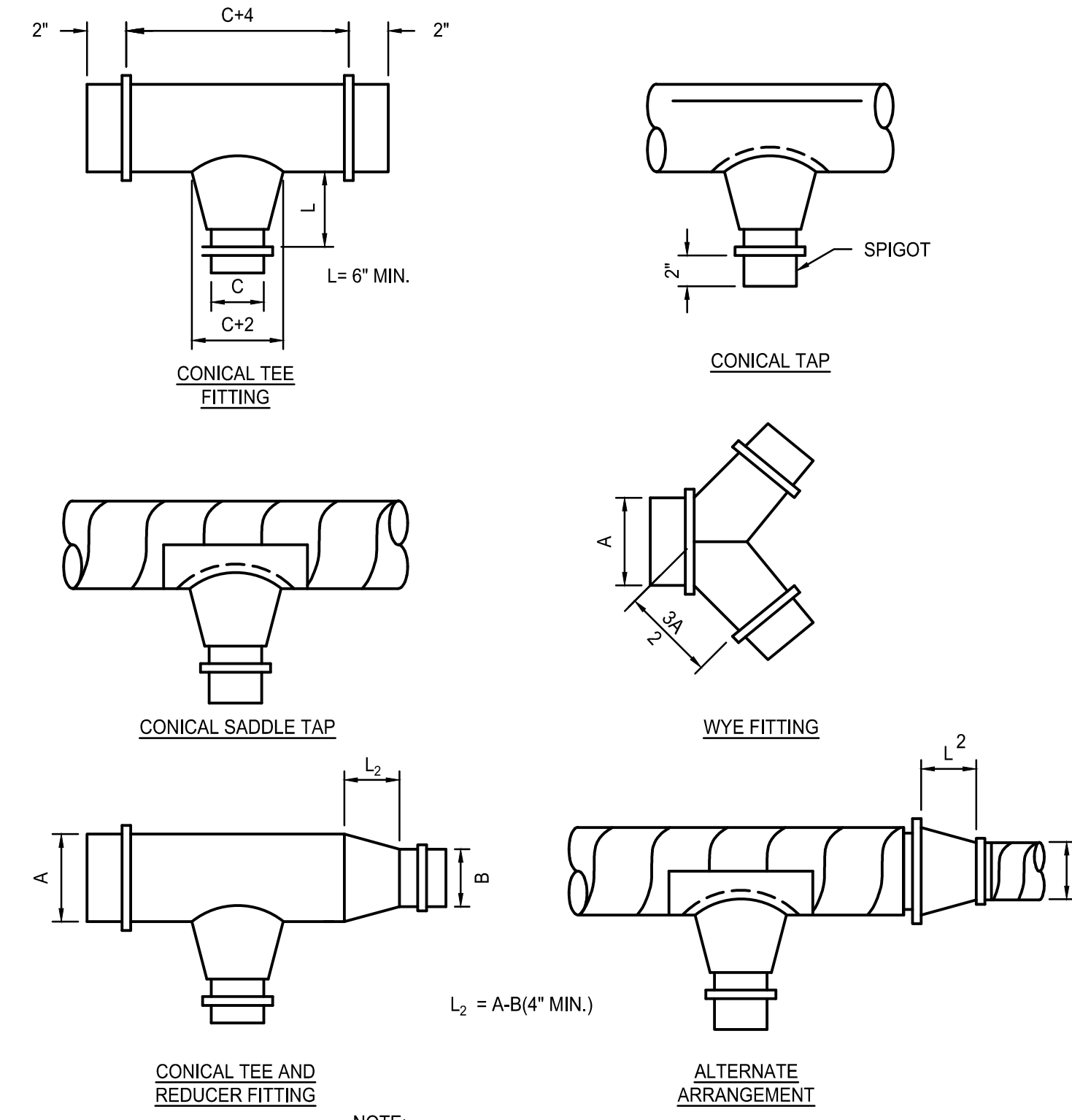


- NOTE:**
1. ALL PIPING SHALL BE CONCEALED.
  2. ALL FITTINGS SHALL BE EASILY ACCESSIBLE.
  3. PIPING AND FITTINGS WITHIN ENCLOSURES DO NOT REQUIRE INSULATION.
  4. ALL RUNOUT PIPING SHALL BE CONCEALED.
  5. SCHEMATICS ARE SHOWN FOR TYP. ARRANGEMENTS AND SHOW REQUIRED FITTINGS. VARIATIONS MAY OCCUR.
  6. ZONE VALVES MAY BE INSTALLED ABOVE ACCESSIBLE CEILINGS WHERE DROPS OR RISERS FEED SINGLE ZONES.
  7. CONVECTOR PIPING SIMILAR.

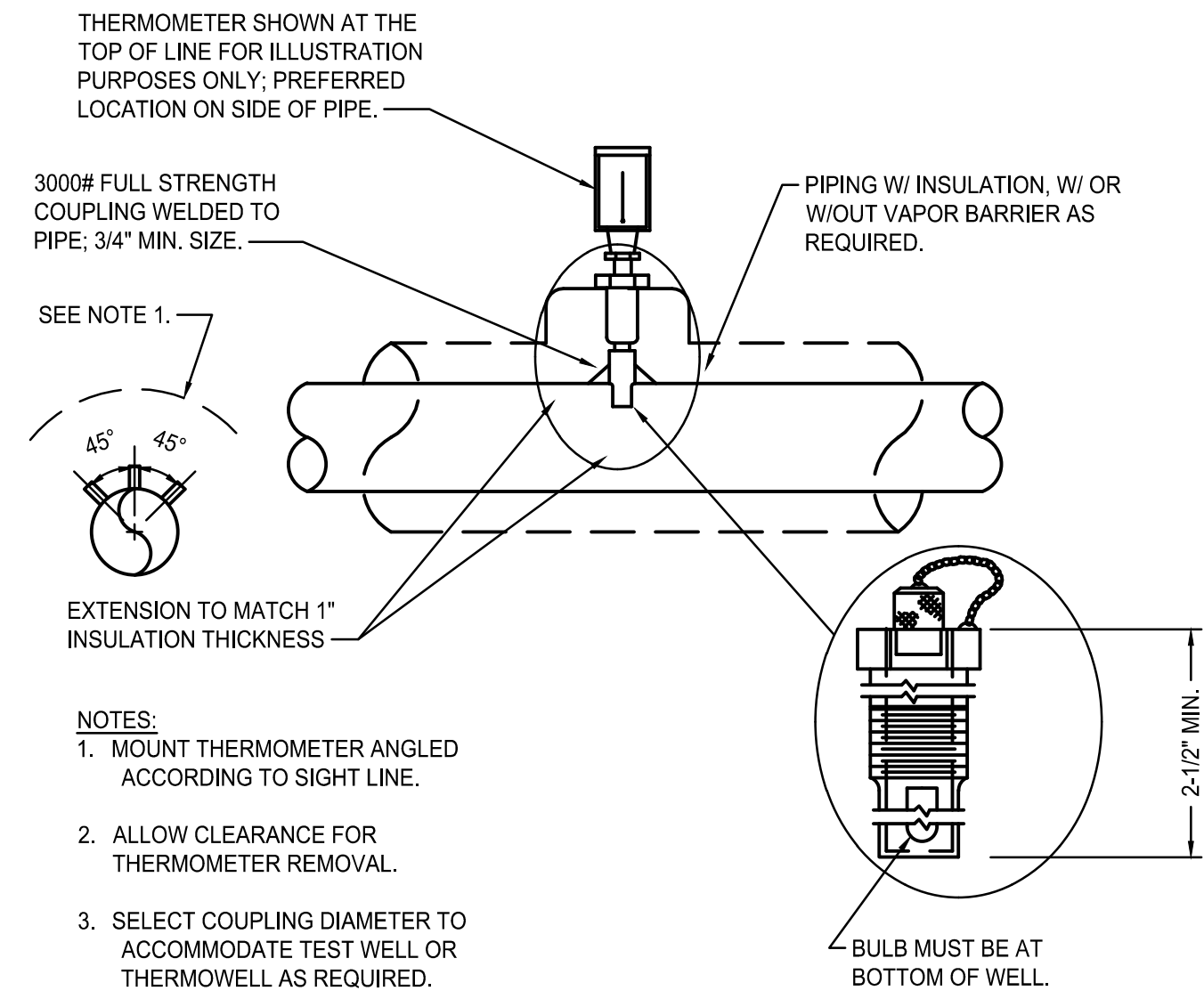
**G1** HOT WATER FINNED TUBE PIPING DETAIL  
NOT TO SCALE



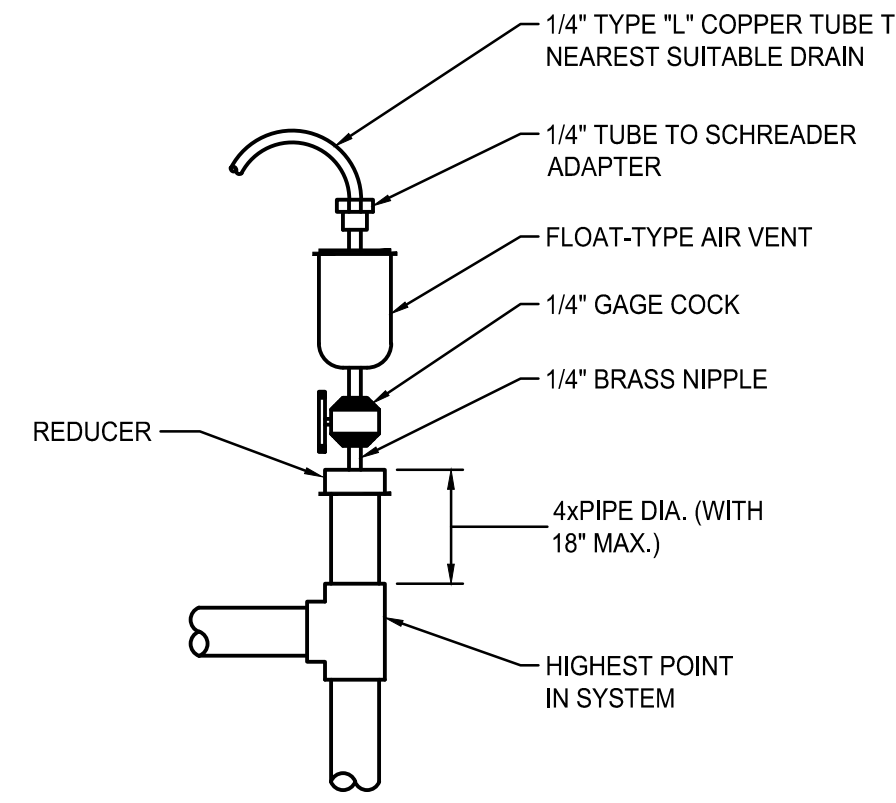
**G5** DRAIN VALVE INSTALLATION DETAIL  
NOT TO SCALE



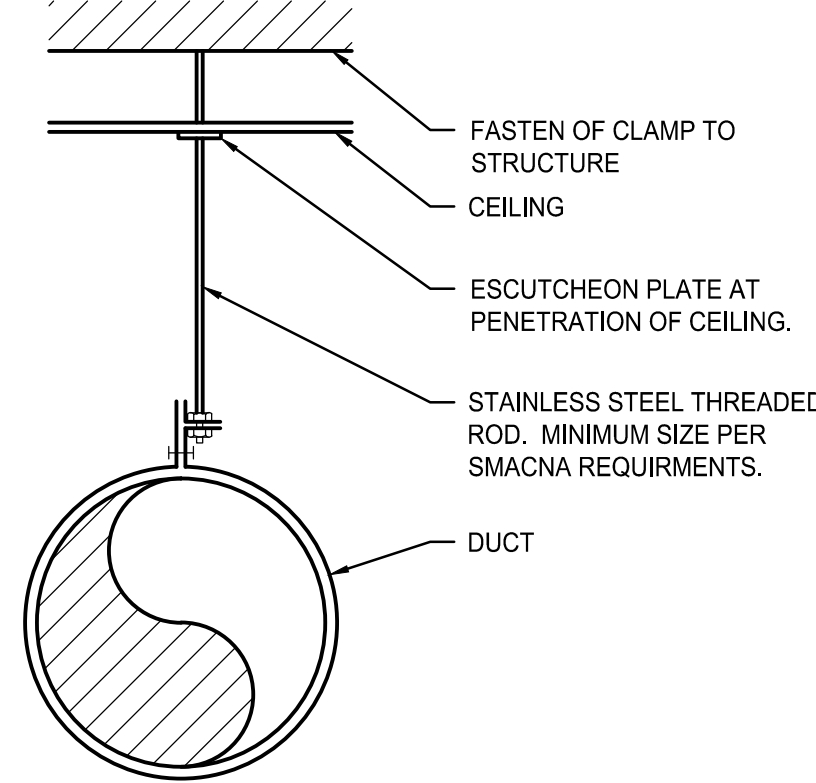
**G9** CONICAL TEES DETAIL  
NOT TO SCALE



**B1** THERMOMETER AND THERMOWELL INSTALLATION DETAIL  
NOT TO SCALE



**B6** AUTOMATIC AIR VENT ASSEMBLY DETAIL  
NOT TO SCALE



**B9** DUCT HANGER DETAIL  
NOT TO SCALE

**NOTE:**  
1. SEE SHEET M-001 FOR THE LEGEND AND ABBREVIATIONS.

| NO. | DATE     | DESCRIPTION             |
|-----|----------|-------------------------|
| 0   | 02.13.18 | ISSUED FOR CONSTRUCTION |

**ISSUED FOR CONSTRUCTION**  
02.13.18

SMRT Architects and Engineers  
144 Fore Street  
Portland, Maine 04104  
1.877.700.7678  
www.smrtinc.com  
ARCHITECTURE | ENGINEERING | PLANNING | INTERIORS | ENERGY **SMRT**

**TAC** Architectural Group Inc.  
40 Summer St., Suite 4 Bangor, ME 04401



**BANGOR SAVINGS BANK - RENOVATIONS TO 280 FORE STREET PORTLAND, MAINE**

|               |             |
|---------------|-------------|
| PROJECT NO:   | 17231       |
| CAD DWG FILE: | M-502-17231 |
| DRAWN BY:     | ASM         |
| CHK'D BY:     | MJC         |
| COPYRIGHT:    | 2018        |

SHEET TITLE  
**MECHANICAL DETAILS**

**M-502**