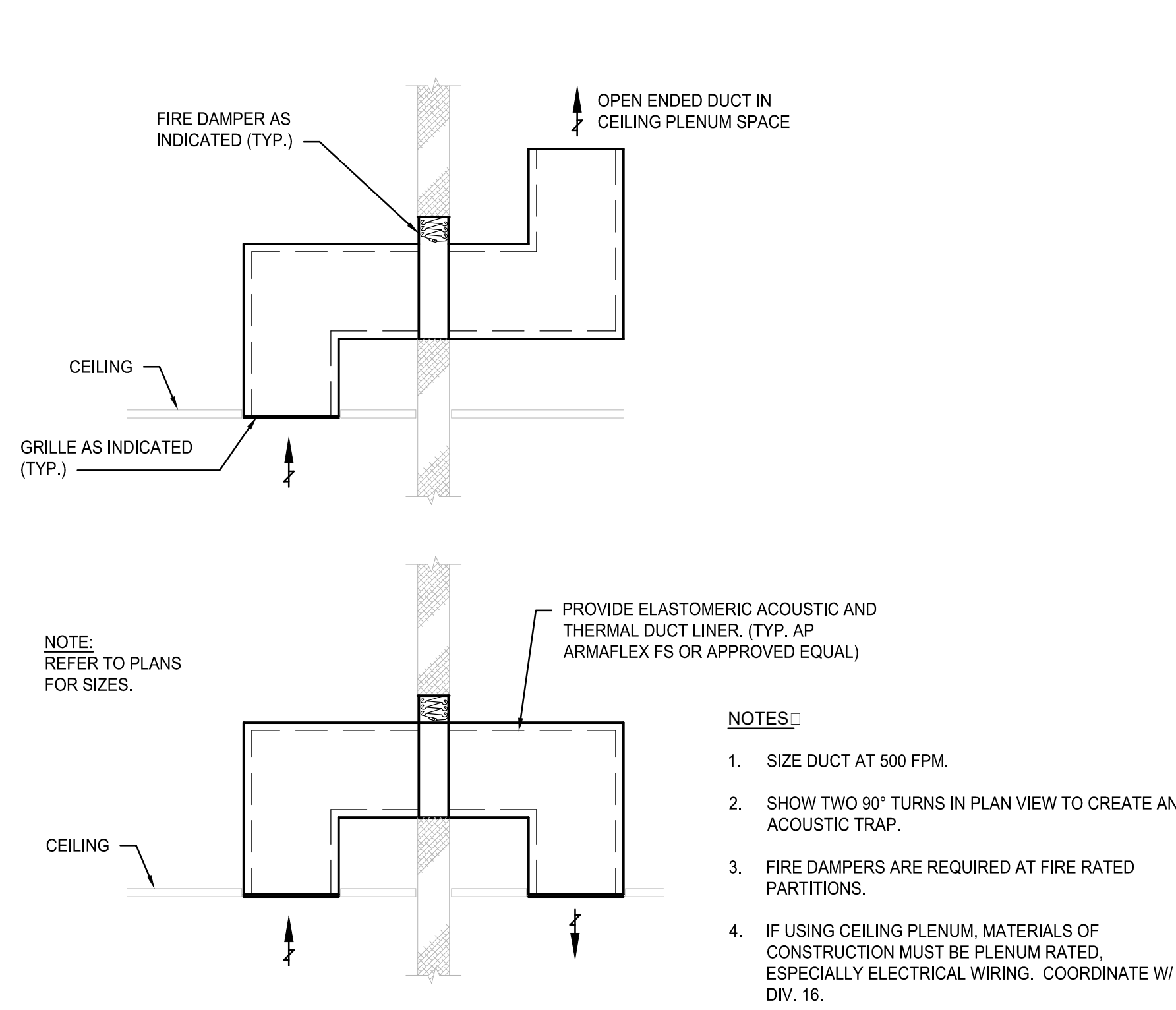
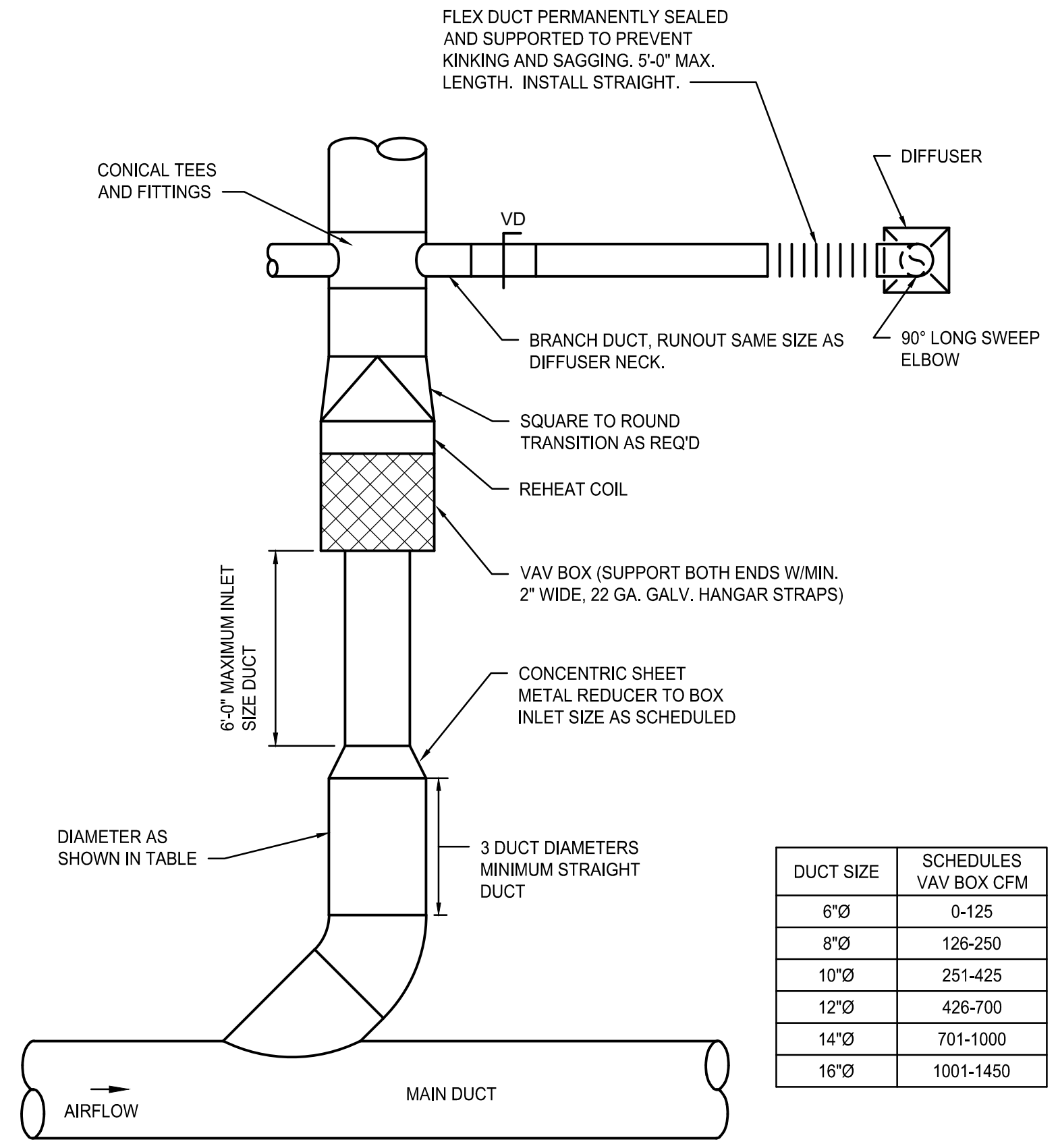


F1 LOW PRESSURE DUCT ELBOWS - TYPICAL DETAIL
NOT TO SCALE

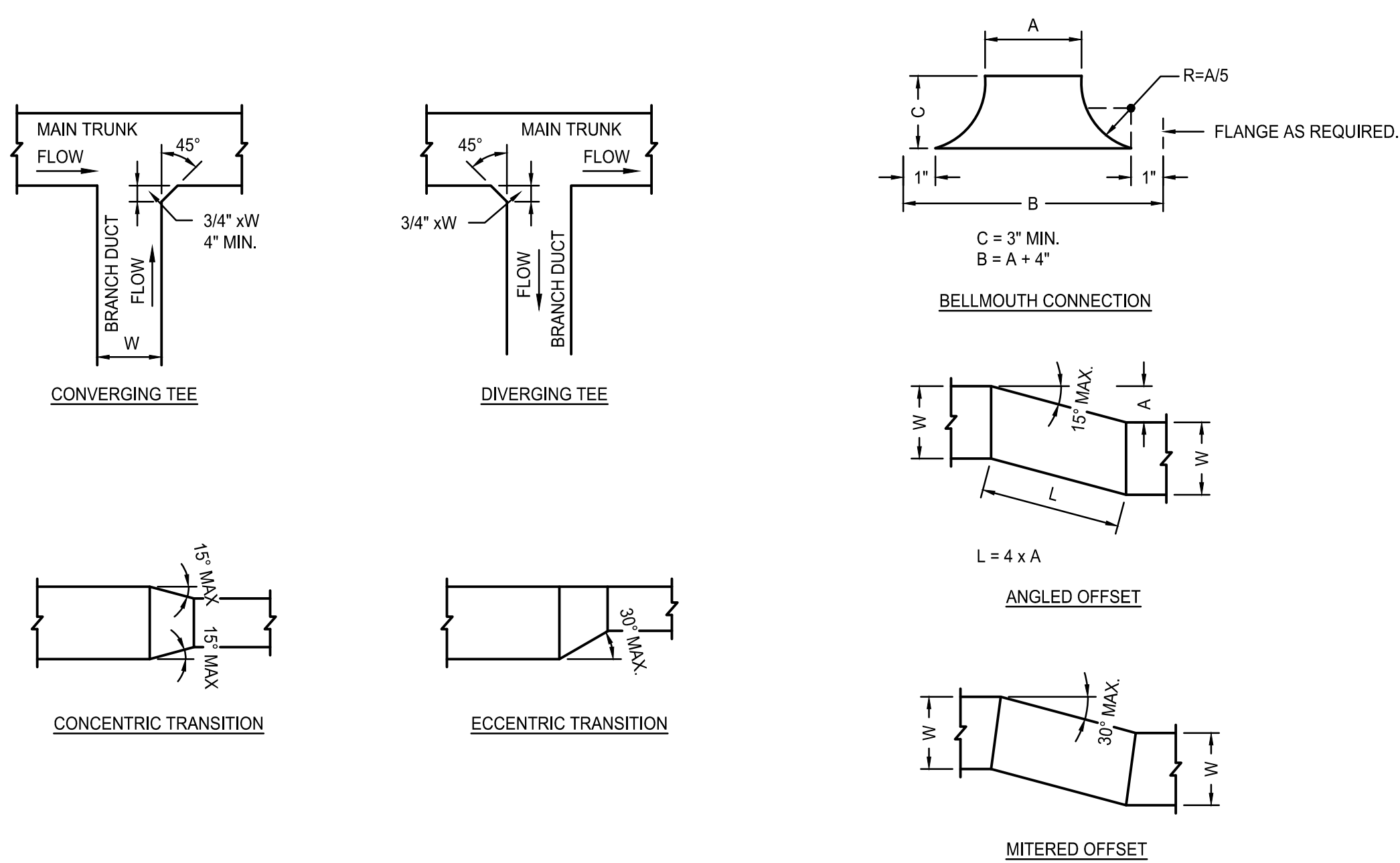


F5 TRANSFER DUCT DETAIL
NOT TO SCALE

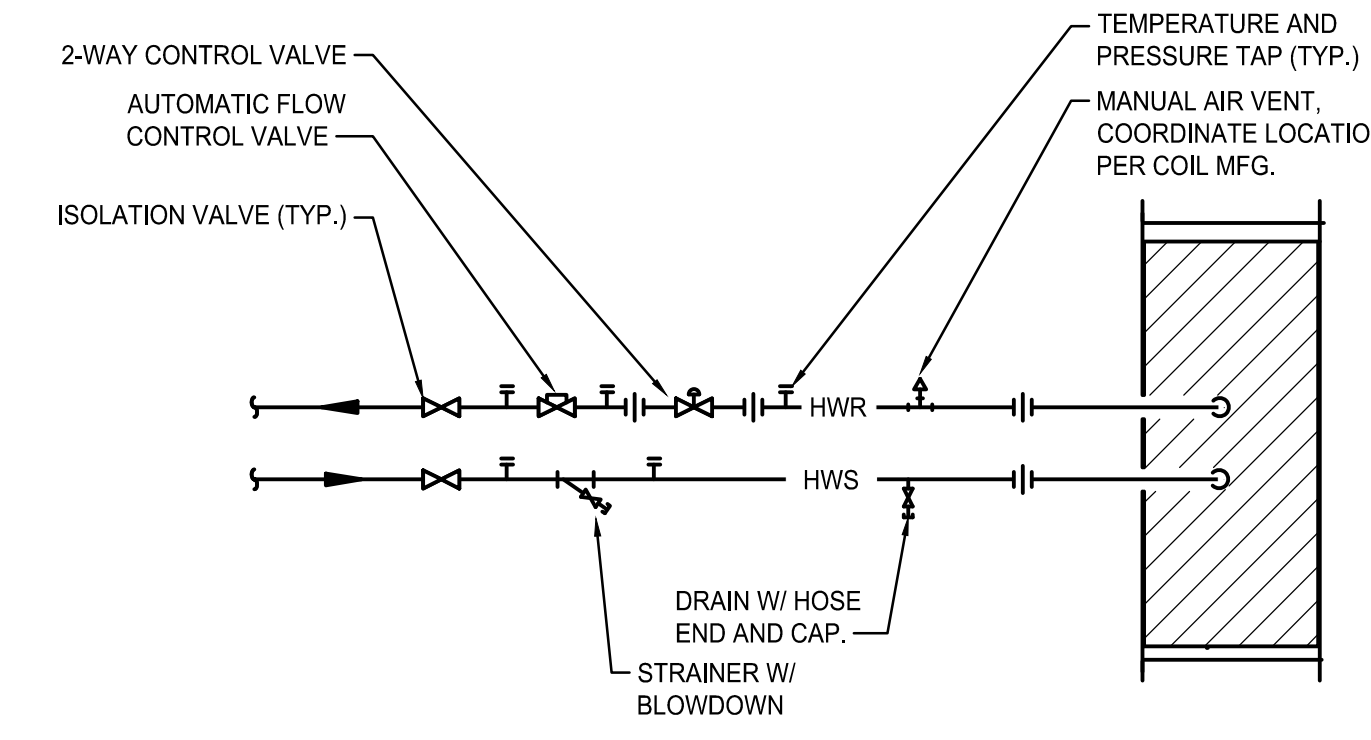


F10 VAV BOX SCHEMATIC
NOT TO SCALE

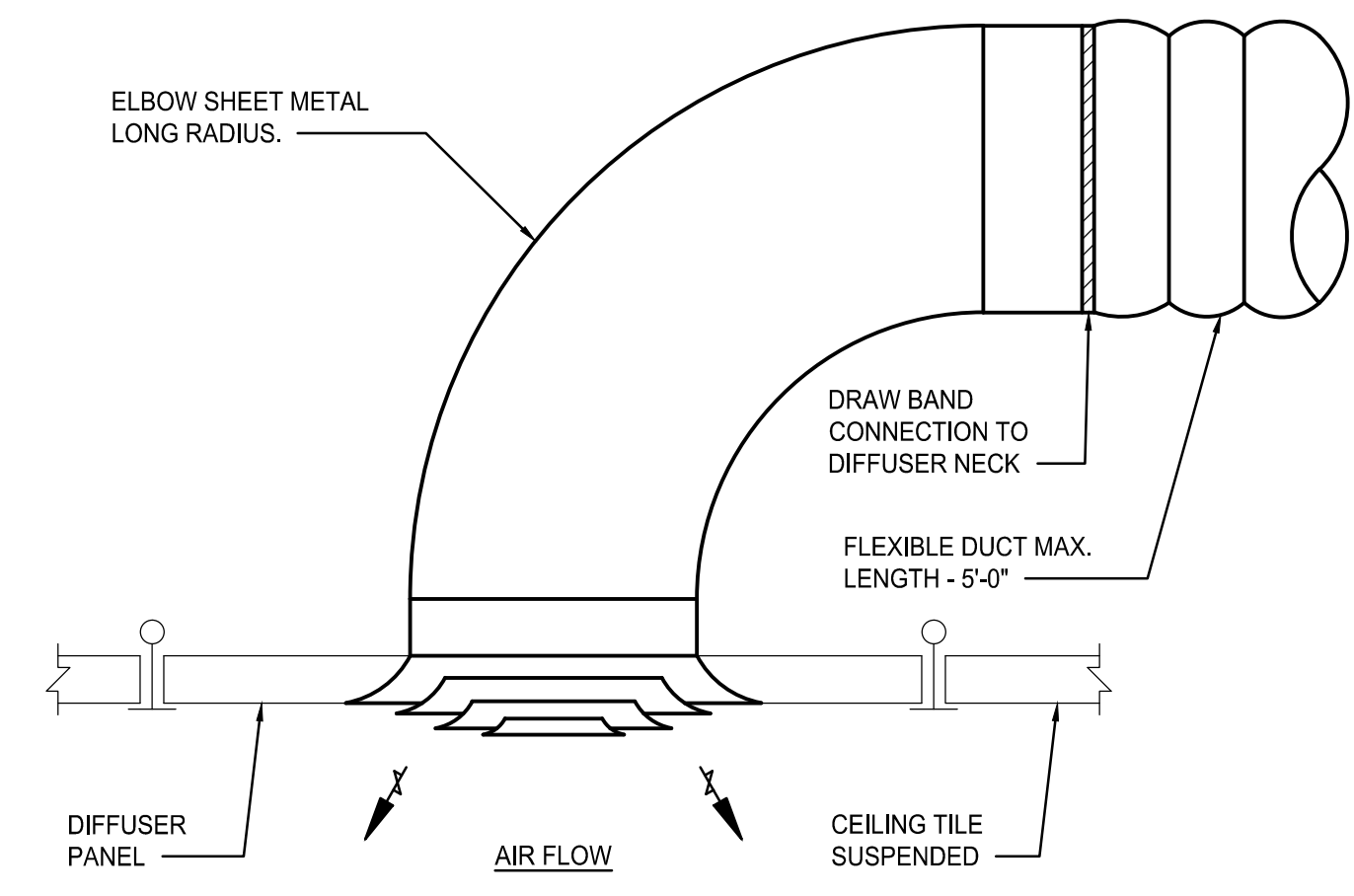
DUCT SIZE	SCHEDULES VAV BOX CFM
6"Ø	0-125
8"Ø	126-250
10"Ø	251-425
12"Ø	426-700
14"Ø	701-1000
16"Ø	1001-1450



A1 DUCT TRANSITION DETAILS
NOT TO SCALE



A7 HOT WATER COIL PIPING DETAIL
NOT TO SCALE



A11 DIFFUSER CONNECTION DETAIL
NOT TO SCALE

NOTE:
1. SEE SHEET M-001 FOR THE LEGEND AND ABBREVIATIONS.

ISSUED FOR CONSTRUCTION
02.13.18

SMRT Architects and Engineers
144 Fore Street
Portland, Maine 04104
1.877.700.7678
www.smrtinc.com
ARCHITECTURE | ENGINEERING | PLANNING | INTERIORS | ENERGY **SMRT**

TAC Architectural Group Inc.
40 Summer St., Suite 4 Bangor, ME 04401



BANGOR SAVINGS BANK - RENOVATIONS TO 280 FORE STREET PORTLAND, MAINE

PROJECT NO: 17231
CAD DWG FILE: M-501-17231
DRAWN BY: ASM
CHK'D BY: MJC
COPYRIGHT: 2018

SHEET TITLE
MECHANICAL DETAILS

M-501