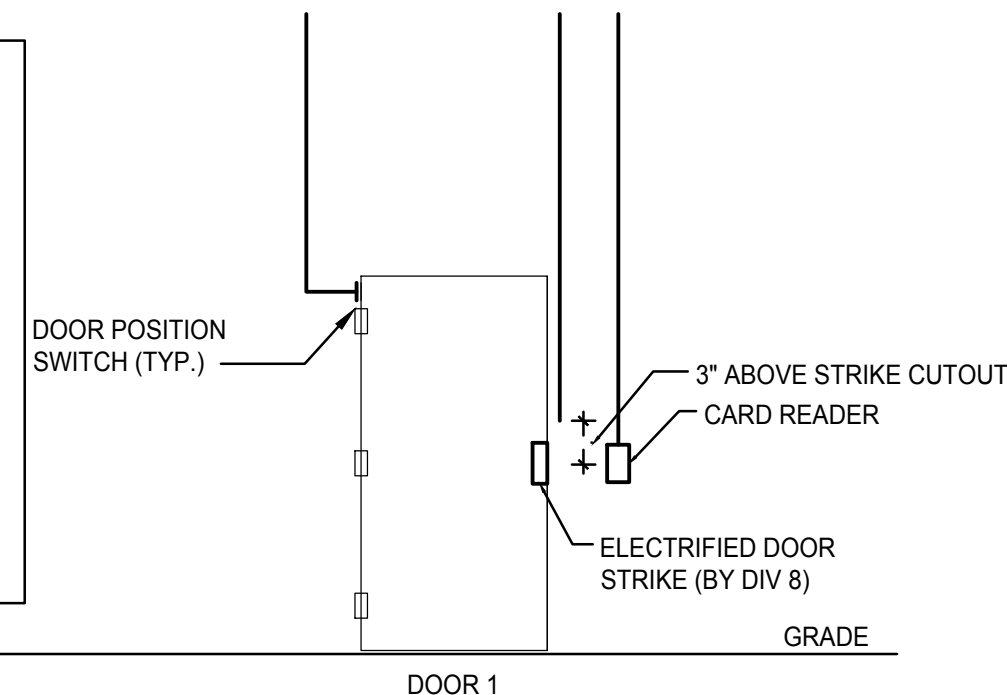


**TELECOMMUNICATION RISER NOTES:**

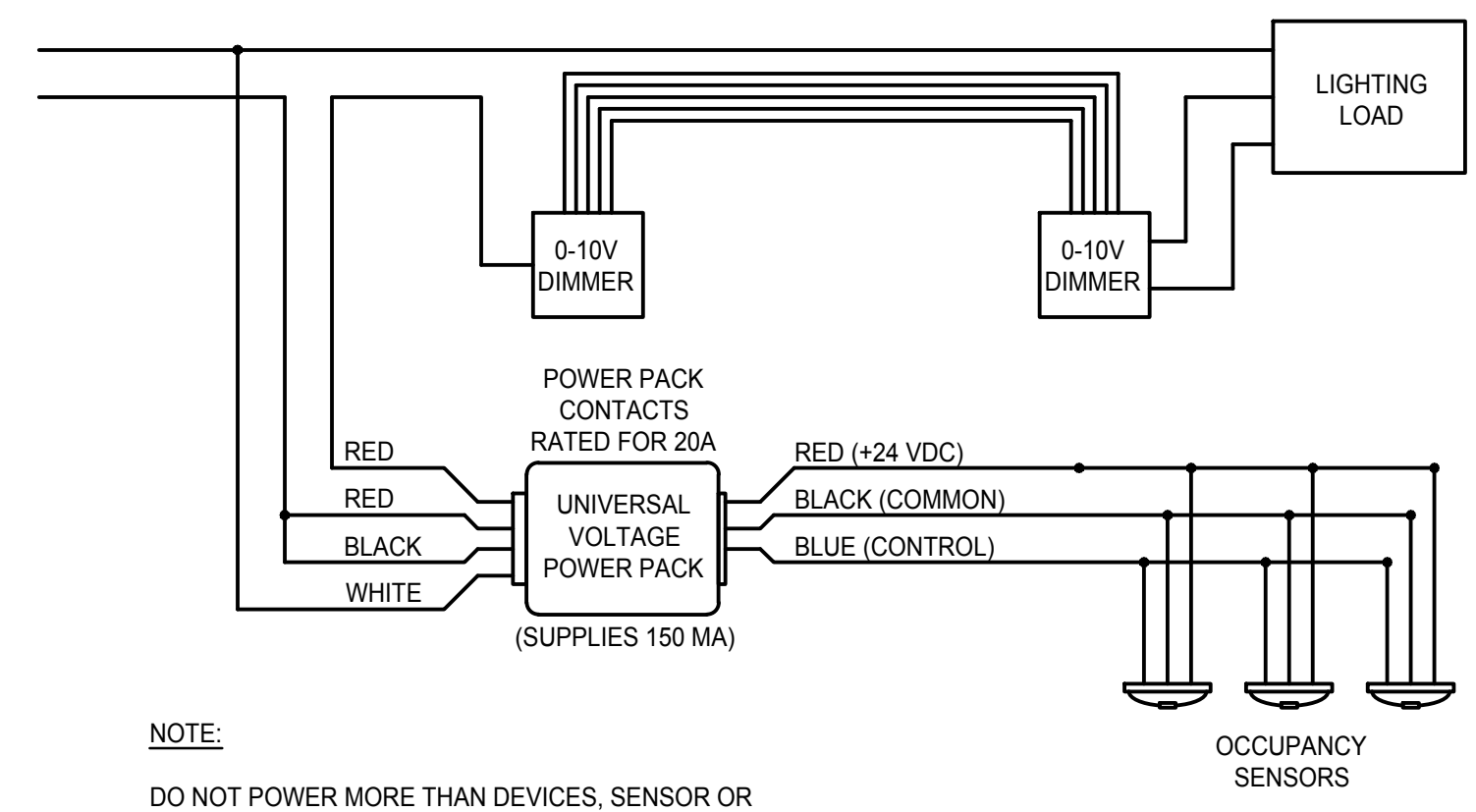
1. ALL HORIZONTAL CABLING AND ASSOCIATED JACKS (BOTH ENDS) SHALL BE GREEN.
2. HORIZONTAL CABLING SHALL BE SUPPORT BY CABLE TRAY WITHIN DATA CLOSETS. OTHERWISE, A NON-CONTINUOUS PATHWAY (J-HOOKS) SHALL BE UTILIZED ABOVE ACCESSIBLE CEILING AND CONDUIT SHALL BE USED IN NON-ACCESSIBLE AREAS.
3. ALL HORIZONTAL AND BACKBONE CABLING SHALL BE PLENUM RATED.
4. CAT. 6A SHALL BE UTILIZED FOR WIRELESS ACCESS POINT LOCATIONS ONLY.

**DOOR CONTROL NOTES:**

1. COORDINATE WITH OWNER'S SECURITY VENDOR BEFORE DOING ANY WORK.
2. COORDINATE EXACT LOCATIONS AND MOUNTING REQUIREMENTS ON ALL CONDUITS AND BOXES WITH OWNER'S SECURITY VENDOR.
3. ELECTRIC DOOR STRIKES WILL BE FURNISHED AND INSTALLED BY THE DOOR HARDWARE CONTRACTOR.
4. DOOR POSITION SWITCHES, CARD READERS, AND DOOR CONTROL CABLING SHALL BE FURNISHED AND INSTALLED BY OWNER'S SECURITY VENDOR.

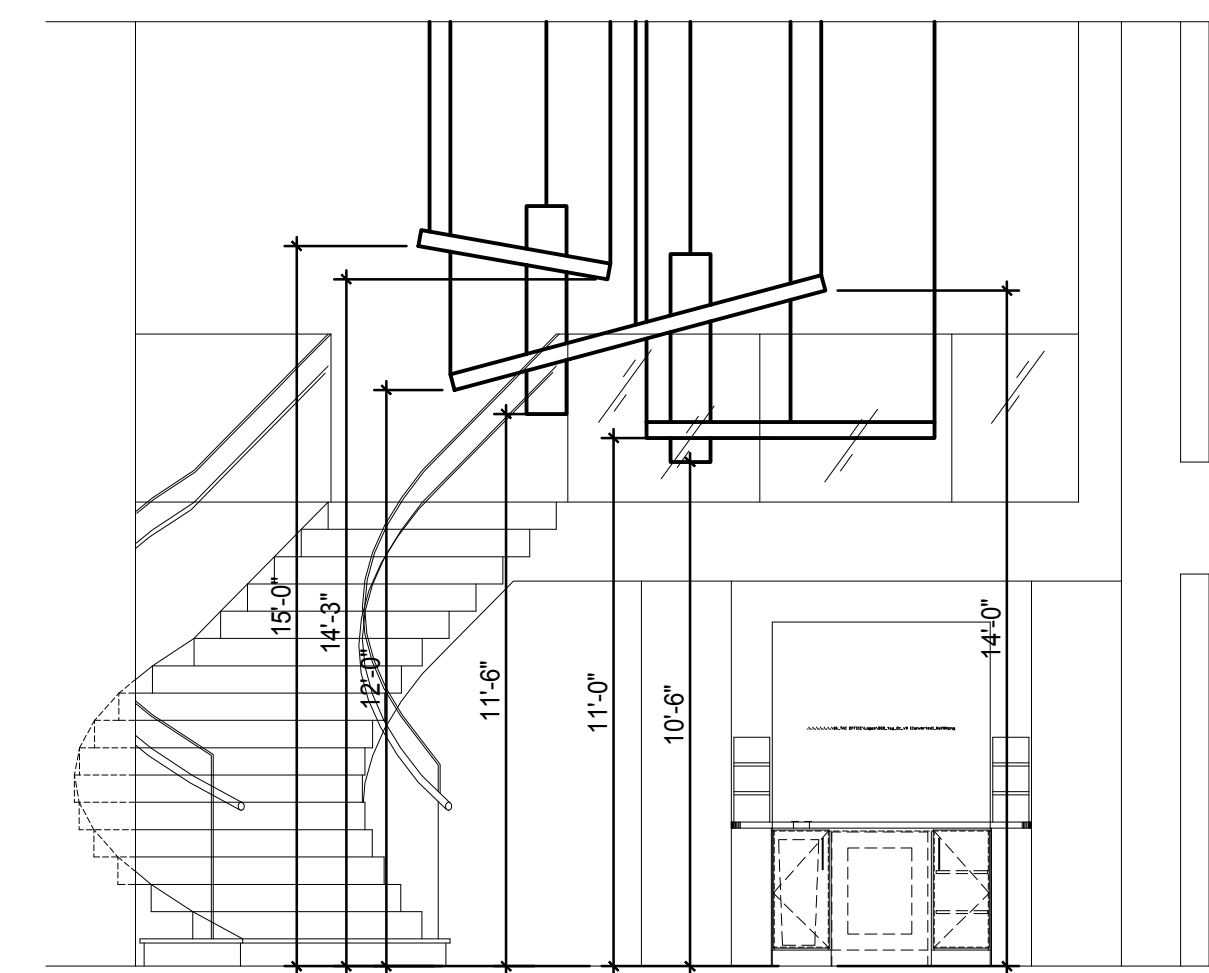


**DOOR CONTROL DETAIL** (J11)  
NONE

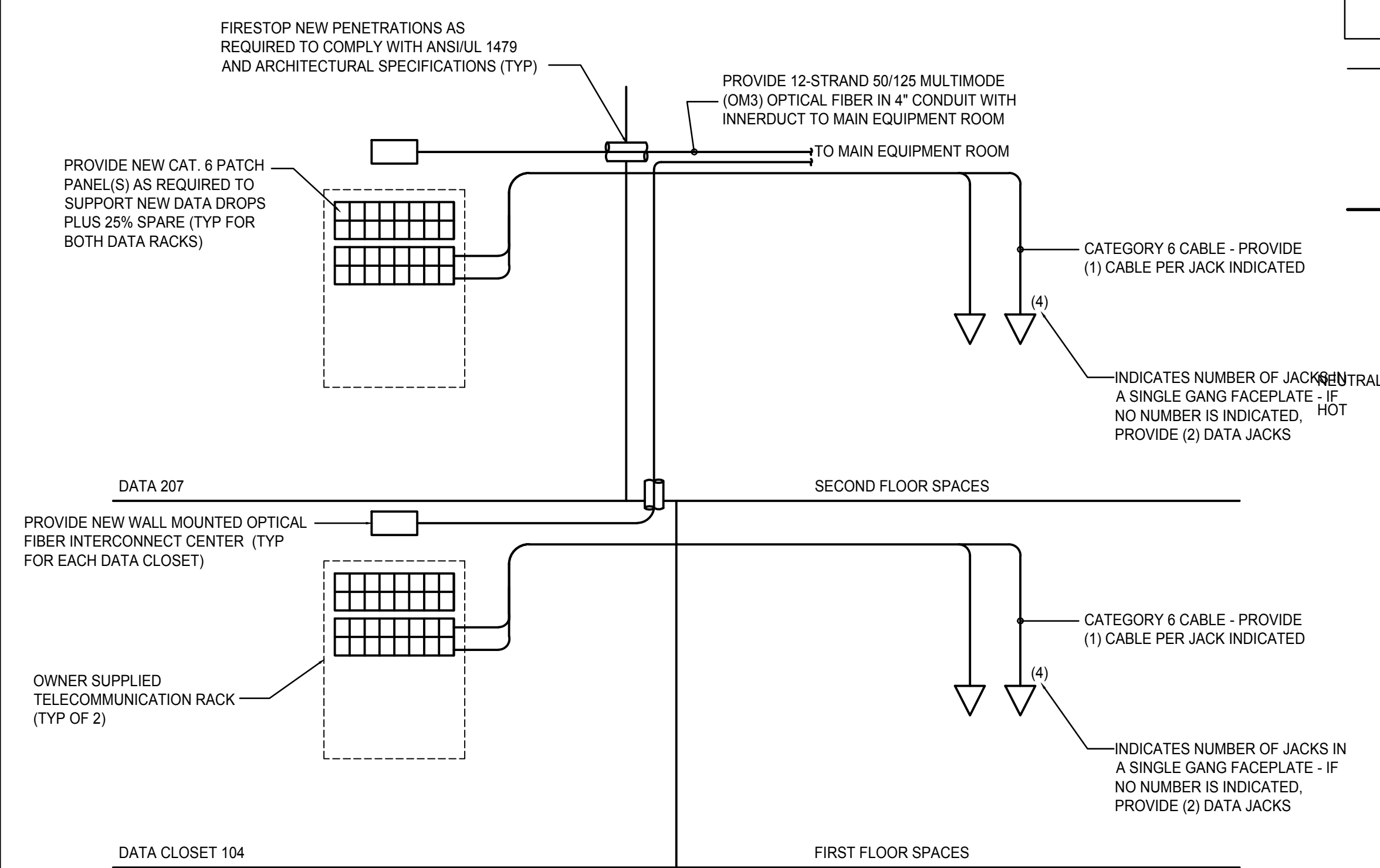


**NOTE:**  
DO NOT POWER MORE THAN DEVICES, SENSOR OR SLAVE PACKS, FROM A SINGLE POWER PACK.

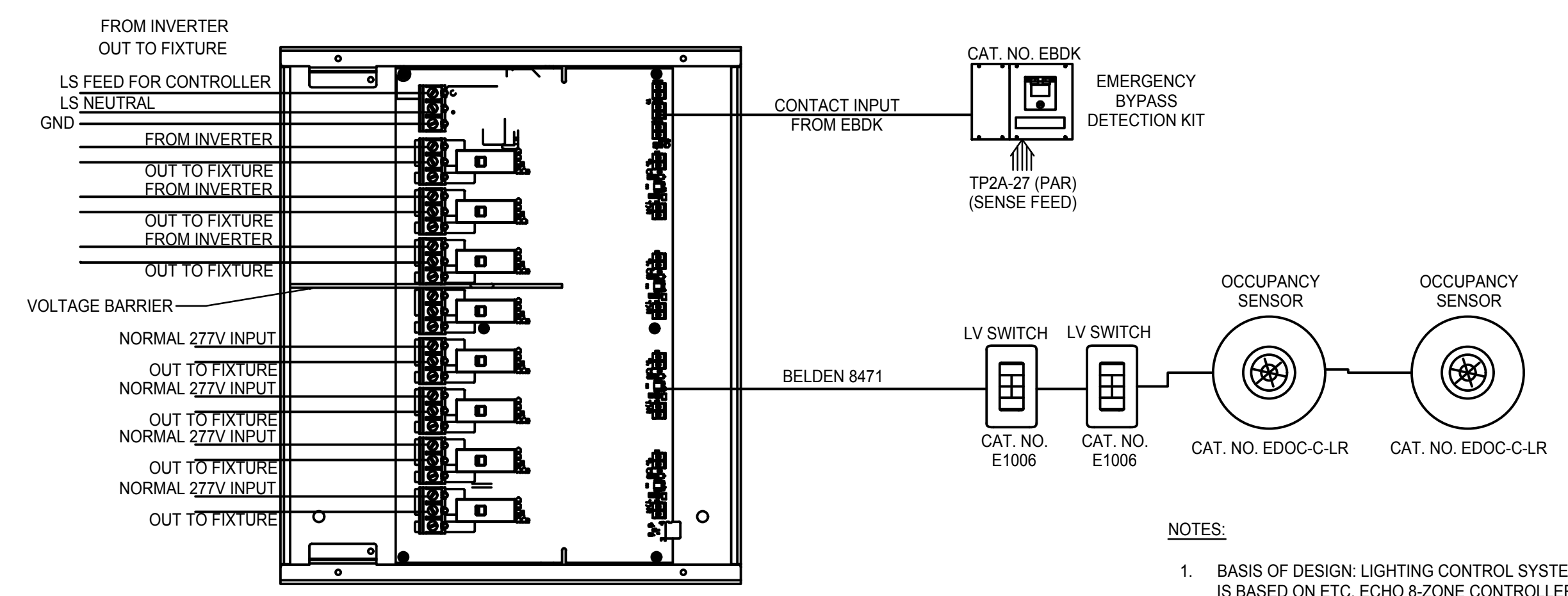
**CEILING SENSOR WITH 0-10V DIMMING** (D11)  
NONE



**LOBBY FEATURE PENDANT ELEVATION** (D14)  
1/4"=1'-0"



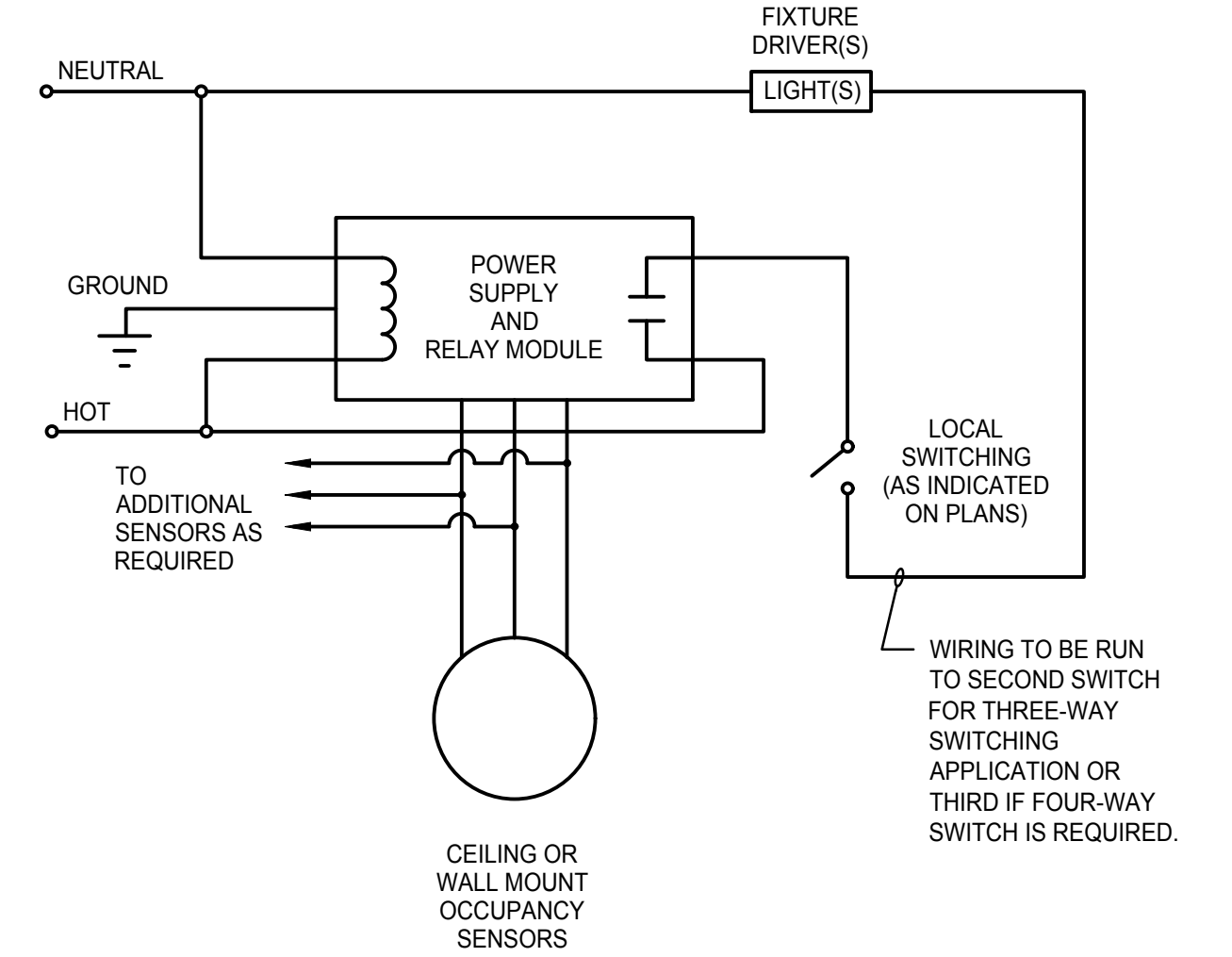
**TELECOMMUNICATION RISER DIAGRAM** (D6)  
NONE



**NOTES:**

1. BASIS OF DESIGN: LIGHTING CONTROL SYSTEM IS BASED ON ETC, ECHO 8-ZONE CONTROLLER. ALL MODEL NUMBERS ARE ETC, UNLESS NOTED OTHERWISE.

**LIGHTING CONTROL SYSTEM RISER DIAGRAM** (A9)  
NONE



**OCCUPANCY SENSOR DIAGRAM - SINGLE LEVEL SWITCHING** (A14)  
NONE

**NOTE:**

1. SEE SHEET E-001 FOR LEGEND AND GENERAL NOTES.

NO.	DATE	DESCRIPTION
0	02.13.18	ISSUED FOR CONSTRUCTION

**ISSUED FOR CONSTRUCTION**  
02.13.18

SMRT Architects and Engineers  
144 Fore Street  
Portland, Maine 04104  
1.877.700.7678  
www.smrtinc.com

**TAC** Architectural Group Inc.  
40 Summer St., Suite 4 Bangor, ME 04401



**BANGOR SAVINGS BANK - RENOVATIONS TO 280 FORE STREET PORTLAND, MAINE**

PROJECT NO: 17231  
CAD DWG FILE: E-501-17231  
DRAWN BY: LJW  
CHK'D BY: LJW  
COPYRIGHT: 2018

**ELECTRICAL DETAILS**