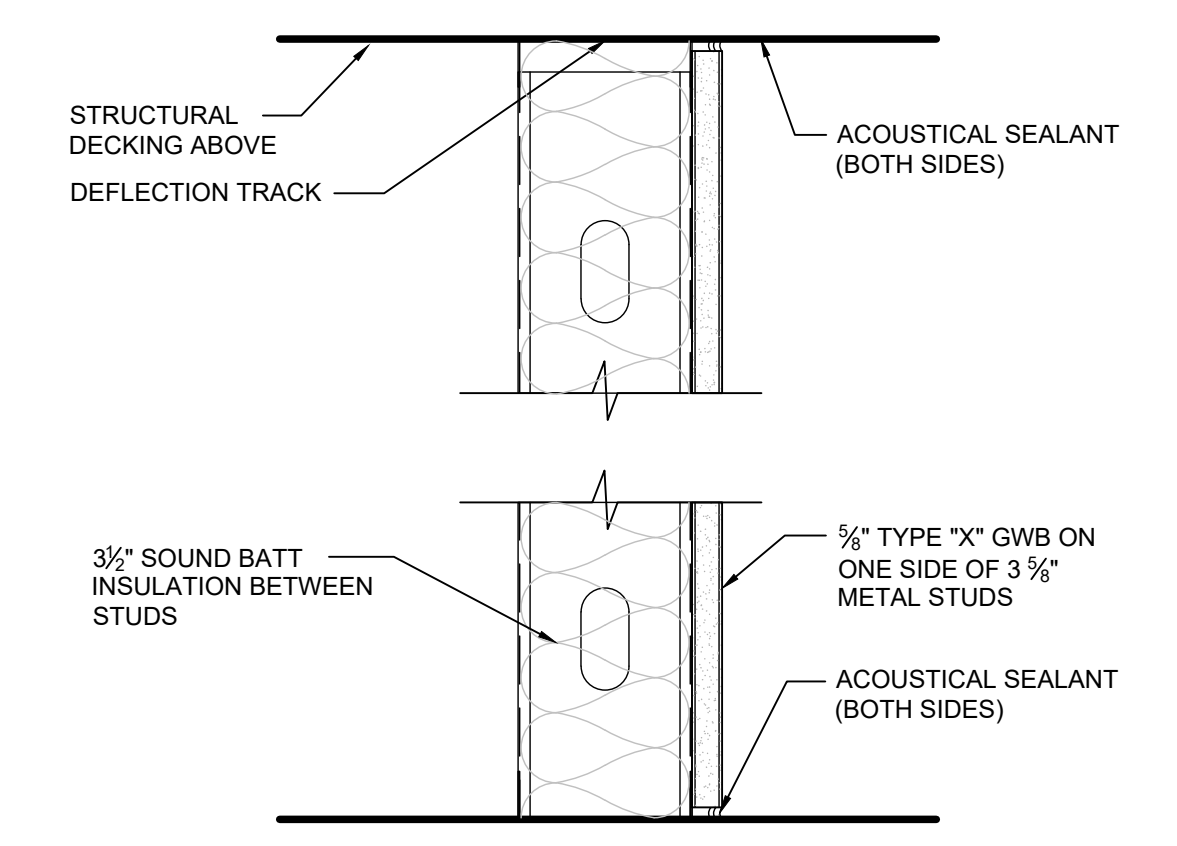
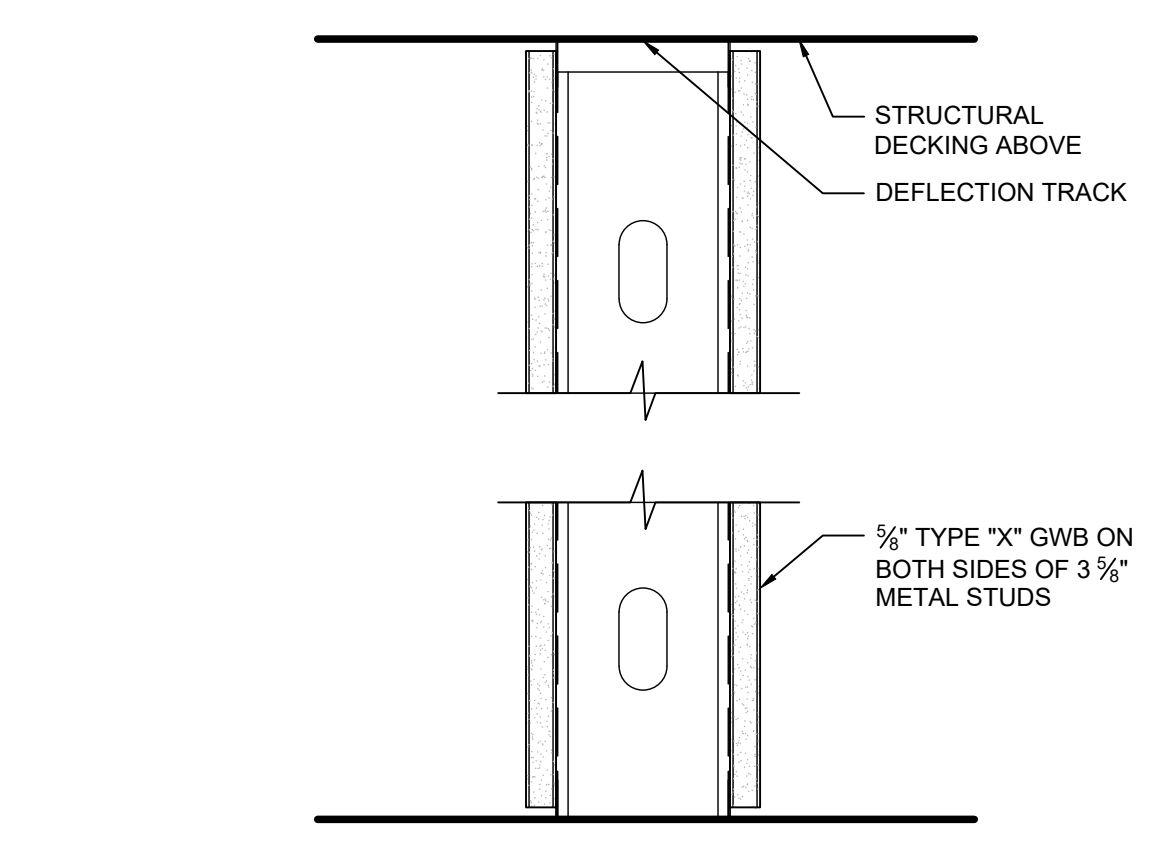


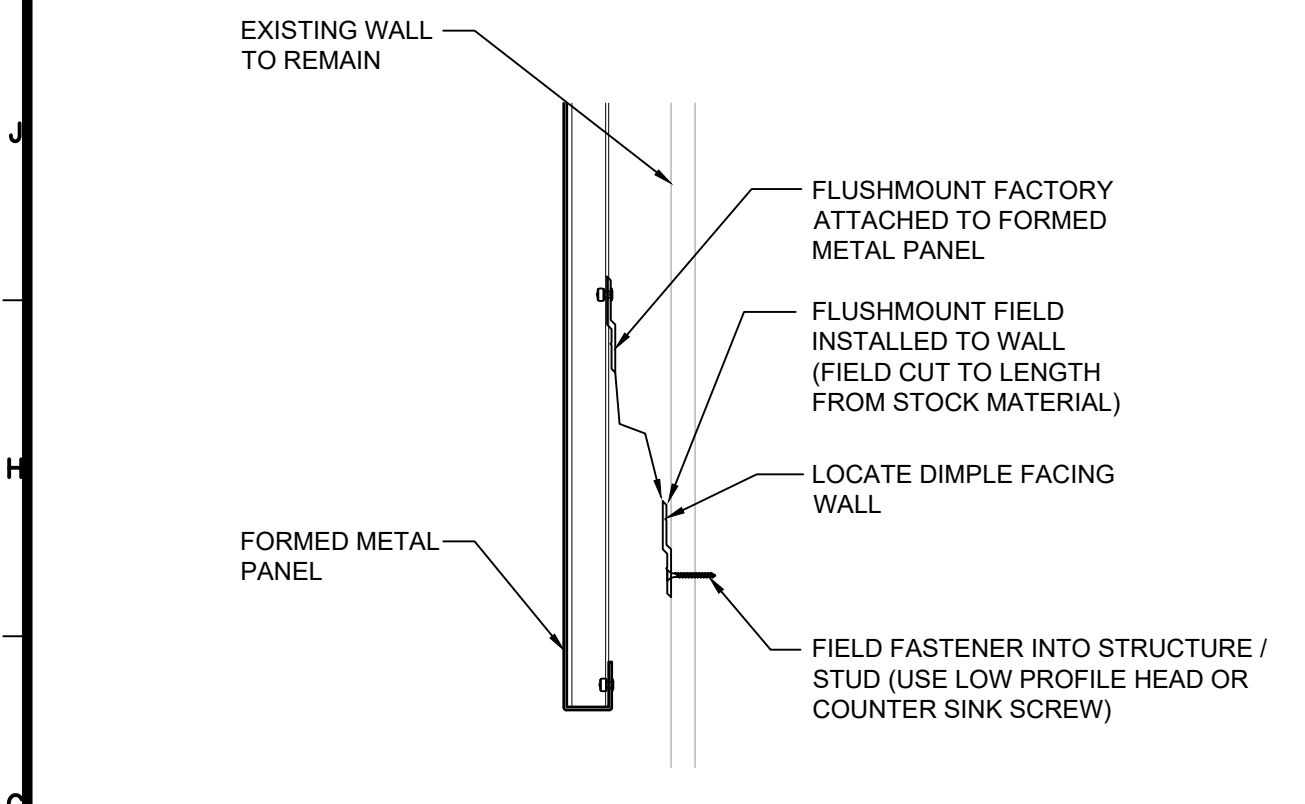
K4 TOP OF WALL DETAIL
3/8" = 1'-0"



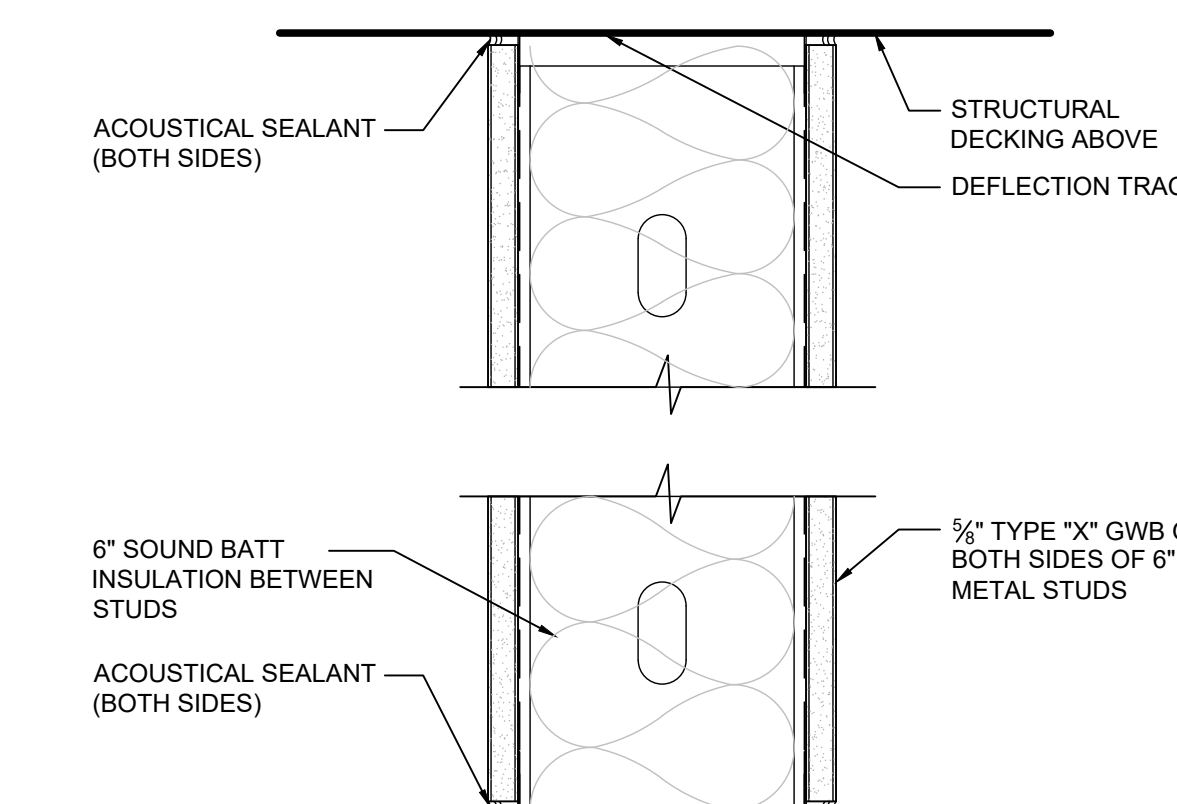
K8 M05 - 3 5/8" METAL STUD CHASE WALL (SOUND)
3/8" = 1'-0"



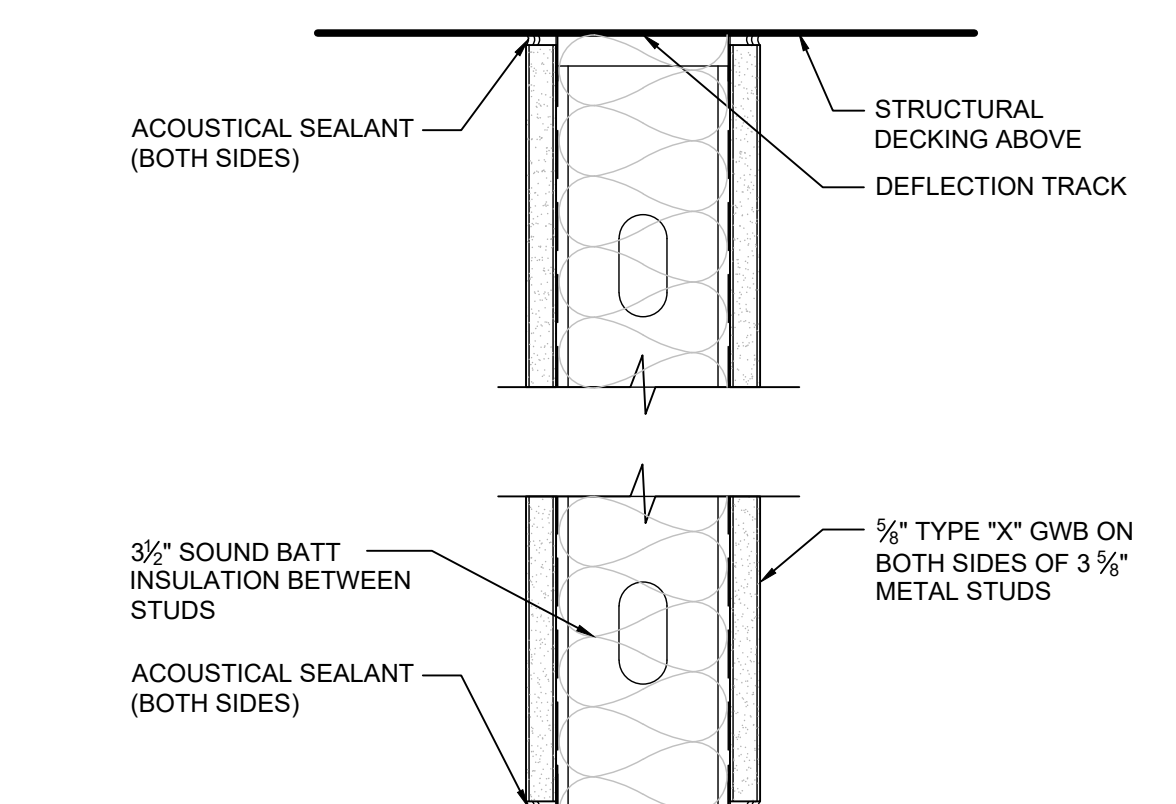
K11 M01 - 3 5/8" METAL STUD WALL
3/8" = 1'-0"



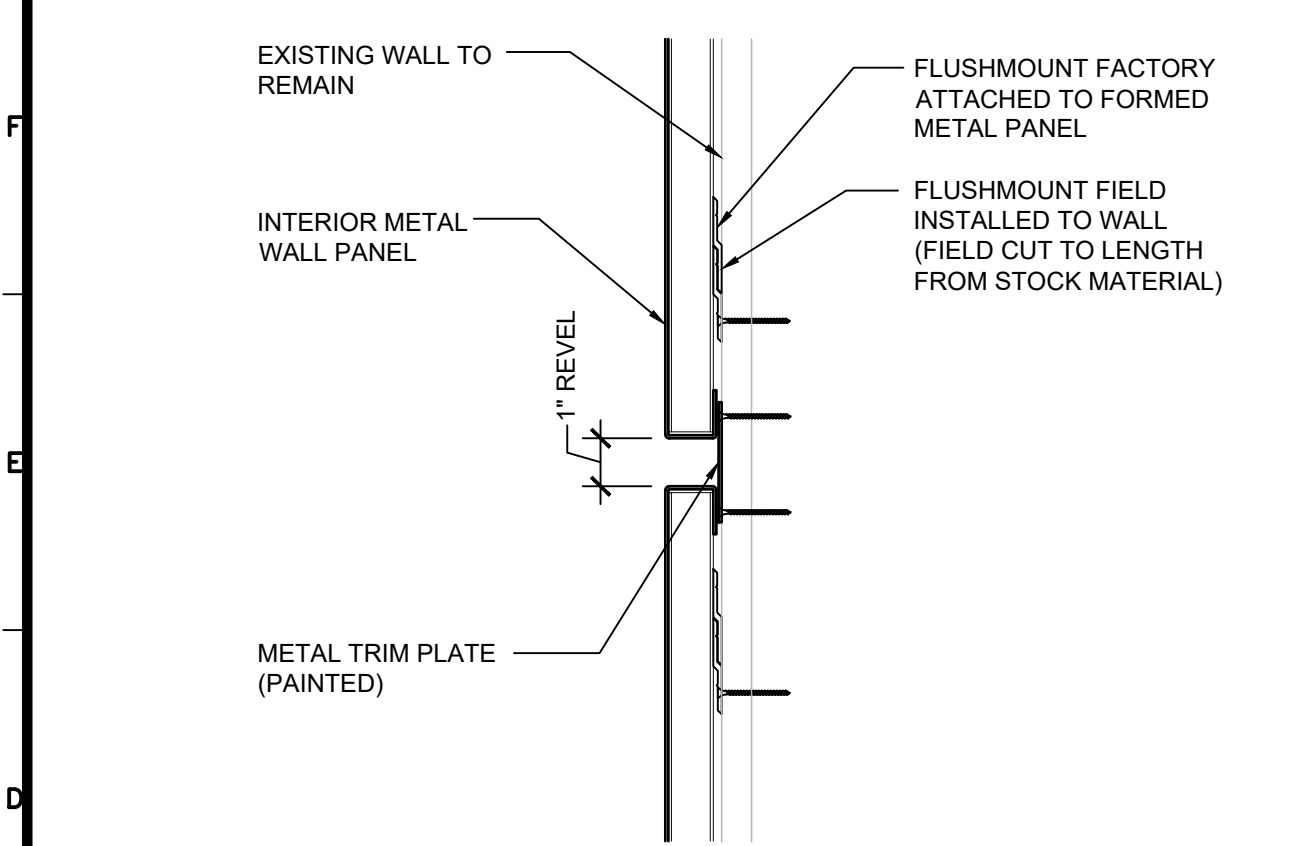
G1 INTERIOR METAL WALL SYSTEM - ATTACHMENT DETAIL
3/8" = 1'-0"



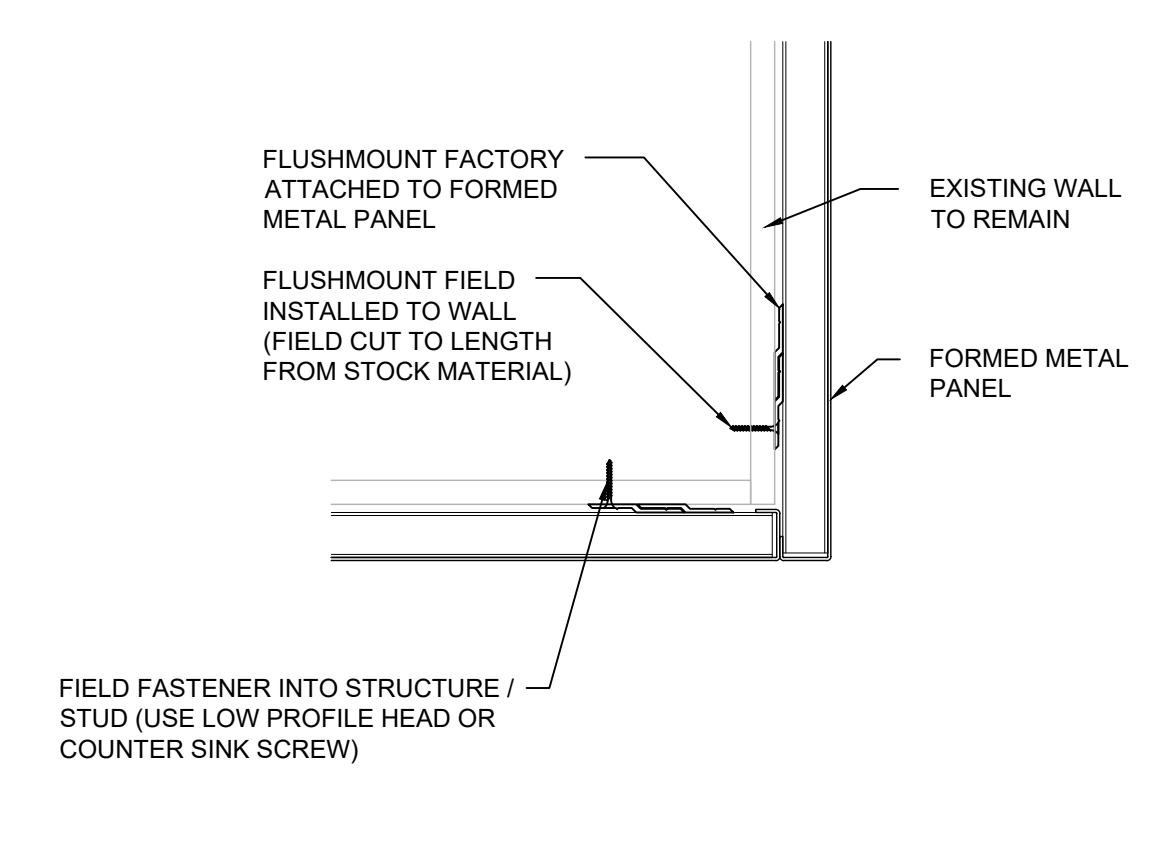
G8 M07 - 6" METAL STUD WALL (SOUND)
3/8" = 1'-0"



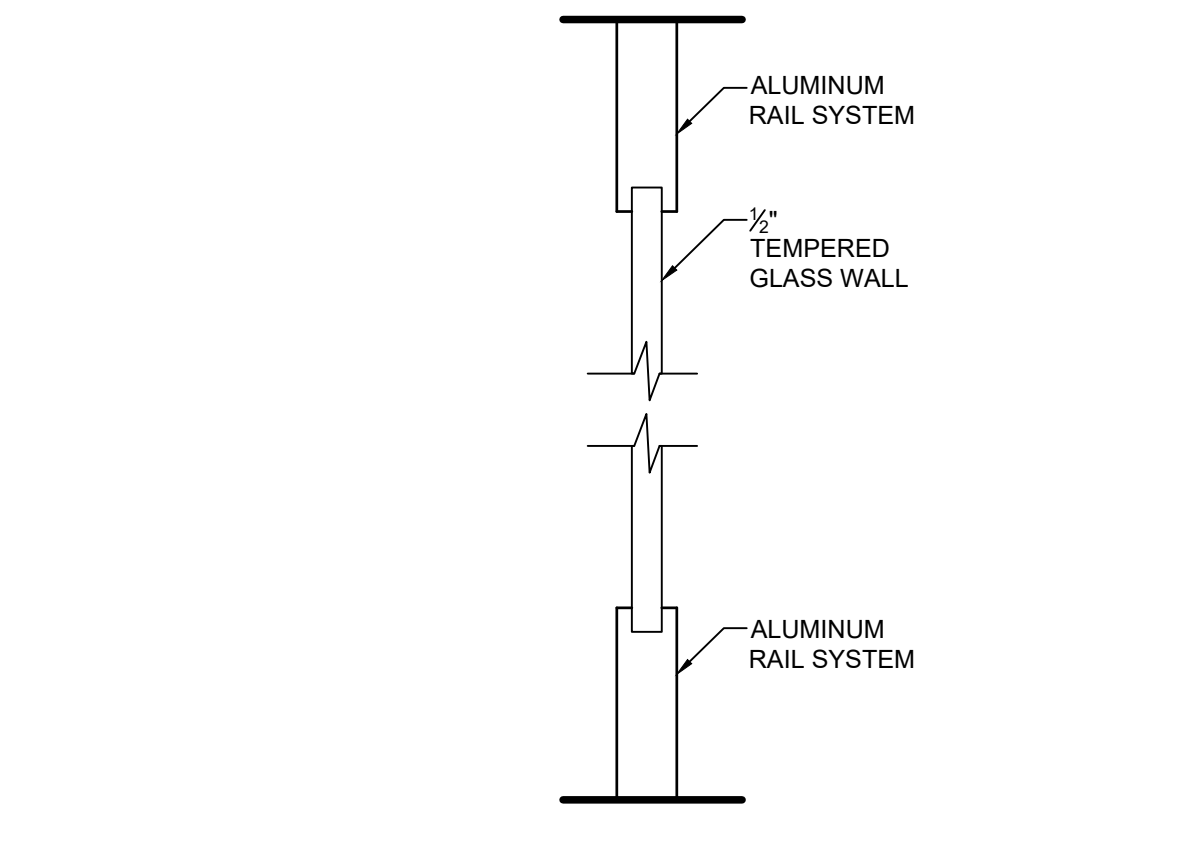
G11 M02 - 3 5/8" METAL STUD WALL (SOUND)
3/8" = 1'-0"



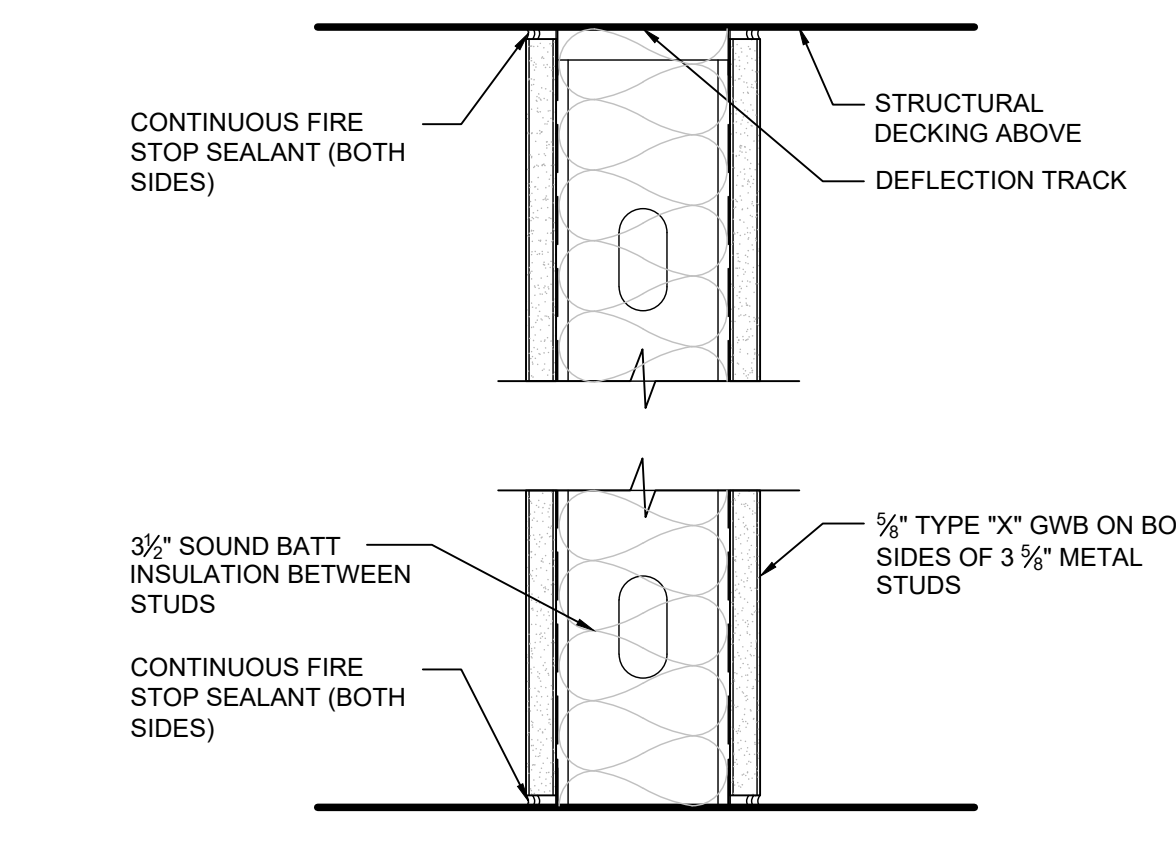
D1 INTERIOR METAL WALL SYSTEM - REVEL DETAIL
3/8" = 1'-0"



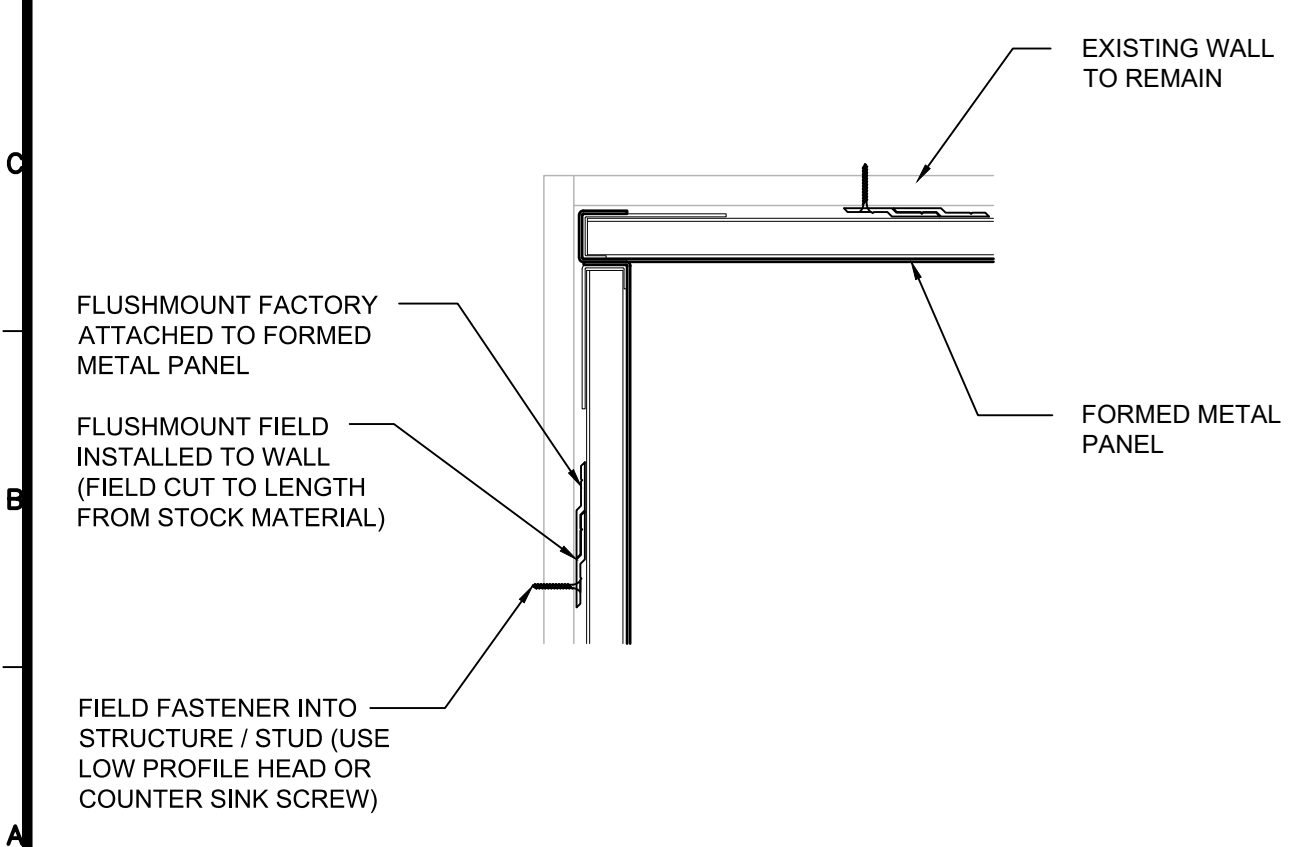
D4 INTERIOR METAL WALL SYSTEM - OUTSIDE CORNER DETAIL
3/8" = 1'-0"



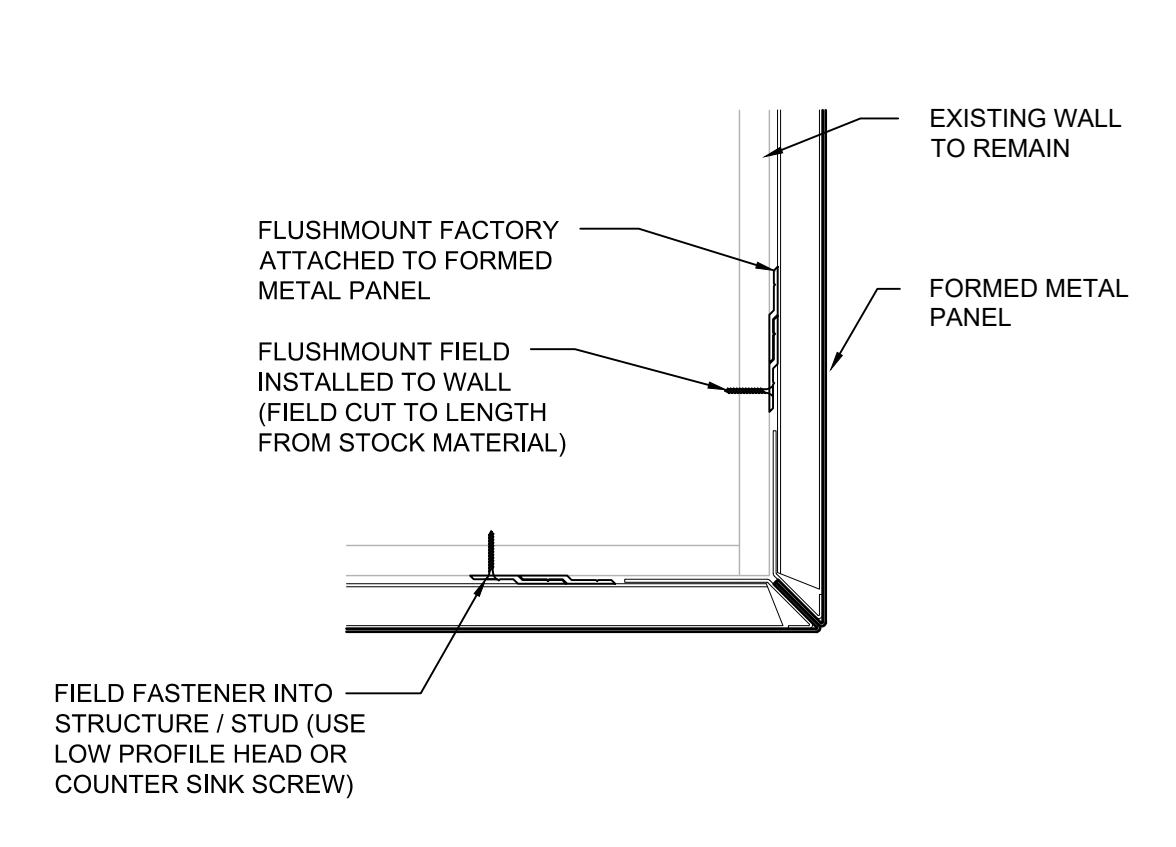
G8 G01 - GLASS WALL - BY OTHERS
3/8" = 1'-0"



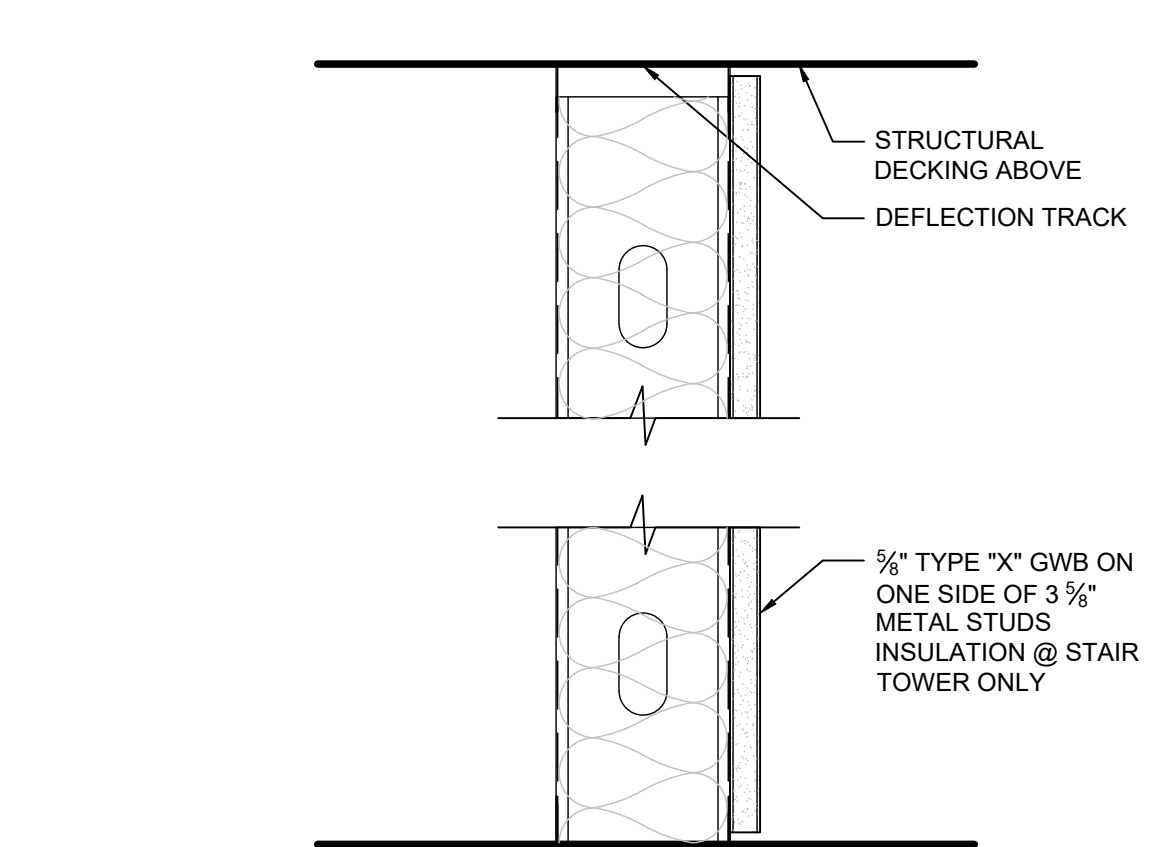
D11 M03 - 3 5/8" METAL STUD WALL (1 HOUR RATED) UL419
3/8" = 1'-0"



A1 INTERIOR METAL WALL SYSTEM - INSIDE CORNER DETAIL
3/8" = 1'-0"



A4 INTERIOR METAL WALL SYSTEM - OUTSIDE CORNER DETAIL
3/8" = 1'-0"

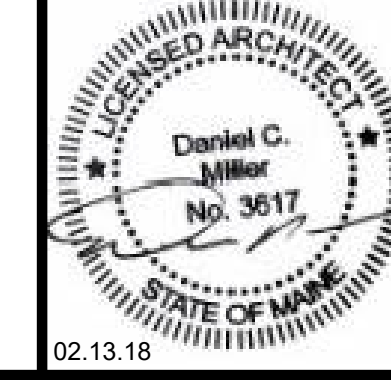


A11 M04 - 3 5/8" METAL STUD CHASE WALL
3/8" = 1'-0"

NO.	DATE	DESCRIPTION
0	00.00.00	

FOR CONSTRUCTION
02.13.18

TAC Architectural
Group Inc.
40 Summer St., Suite 4 Bangor, ME 04401



BANGOR SAVINGS BANK - RENOVATIONS
TO 280 FORE STREET
PORTLAND, MAINE

PROJECT NO: 15-014
CAD DWG FILE: AES01 PARTITIONS TYPES AND DETAILS - PHASE 1.DWG
DRAWN BY: ###
CHK'D BY: ###
COPYRIGHT: 2018

SHEET TITLE
PARTITIONS TYPES AND
DETAILS - PHASE 1

AE501