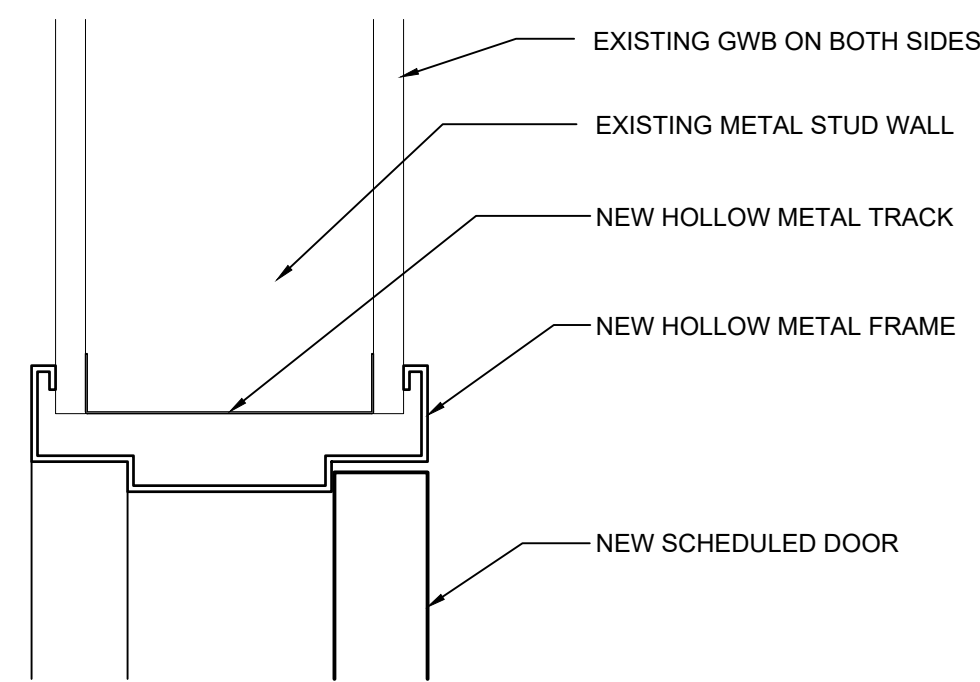
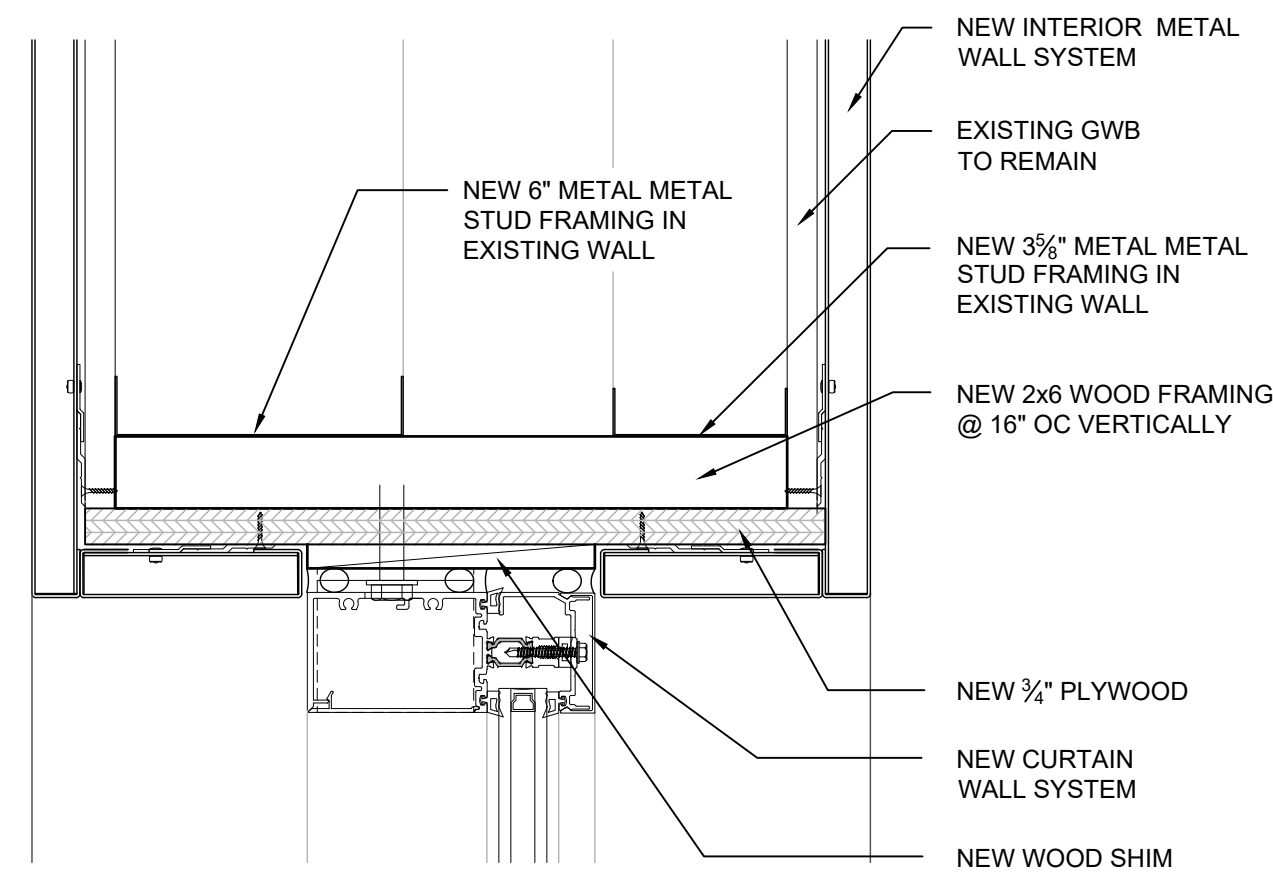


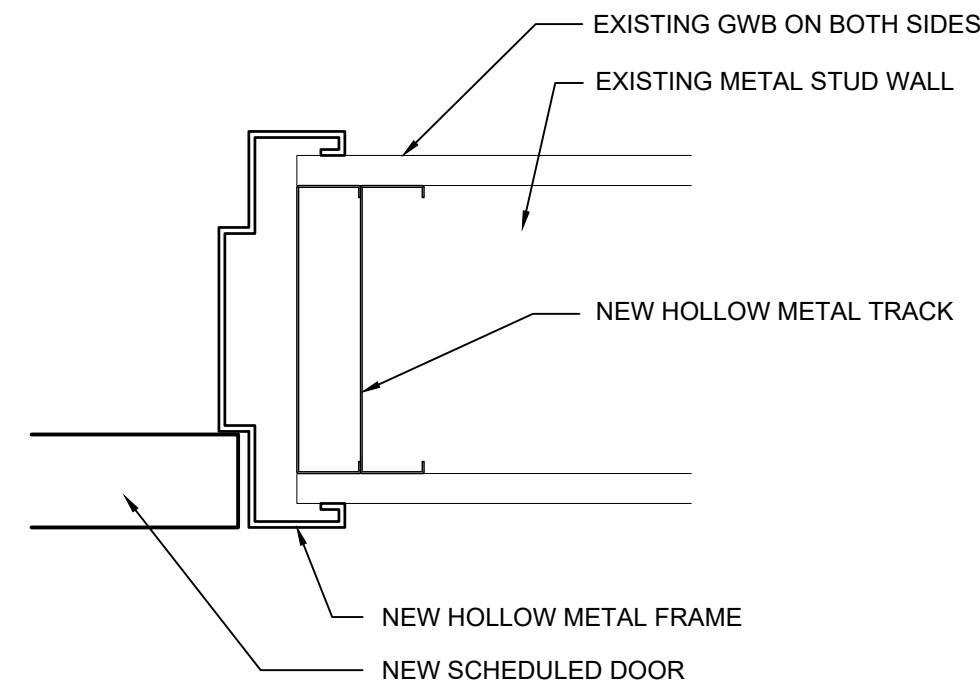
K1 HEAD DETAIL @ HOLLOW METAL FRAME (JAMB DETAIL SIM)
3/8" = 1'-0"



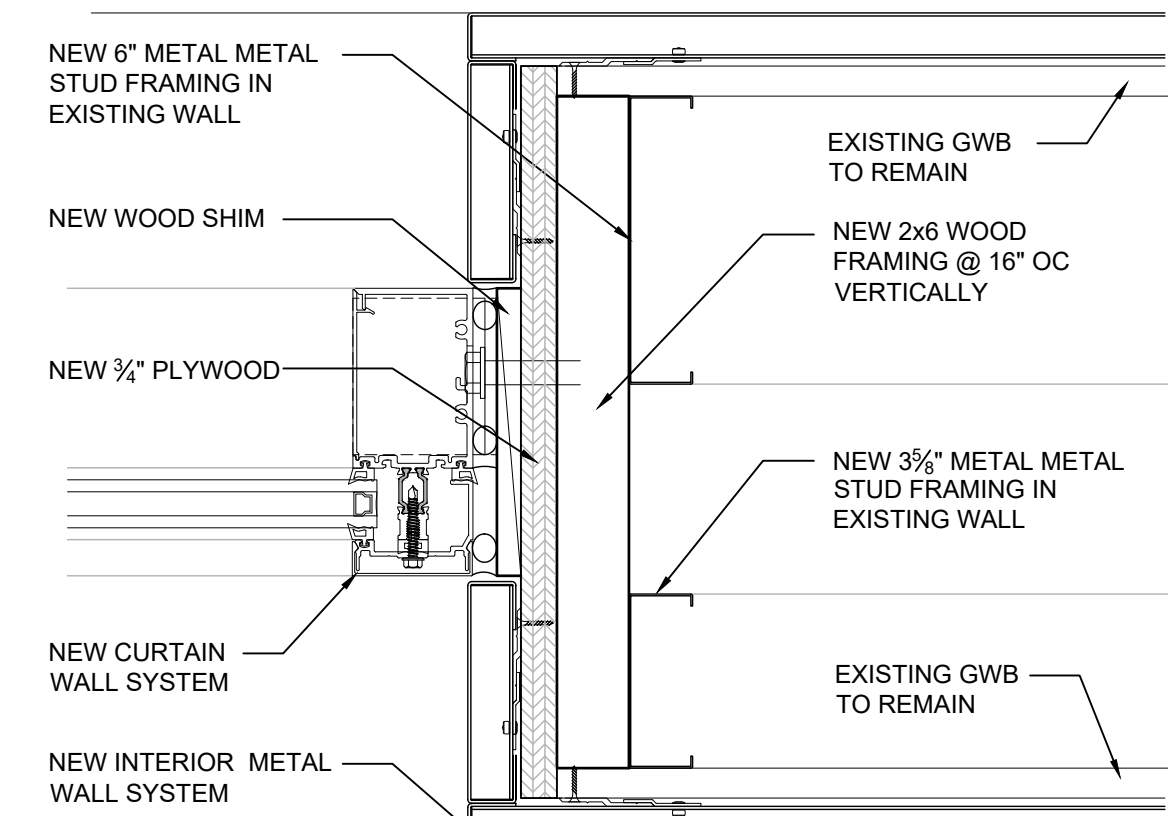
K4 HEAD DETAIL @ HOLLOW METAL FRAME
3/8" = 1'-0"



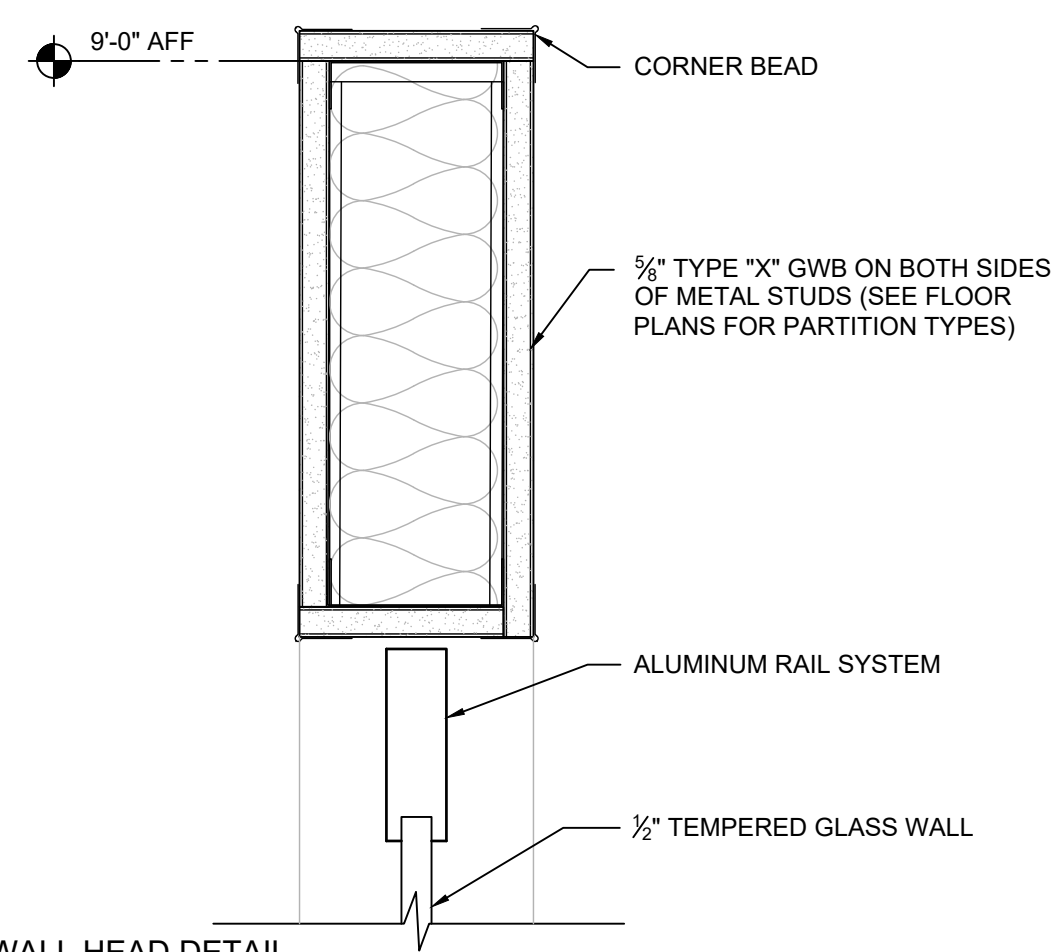
G1 LOBBY CURTAIN WALL - HEAD DETAIL (SILL SIM)
3/8" = 1'-0"



G4 HEAD DETAIL @ HOLLOW METAL FRAME
3/8" = 1'-0"



D1 LOBBY CURTAIN WALL - JAMB DETAIL
3/8" = 1'-0"



D4 GLASS WALL HEAD DETAIL
3/8" = 1'-0"

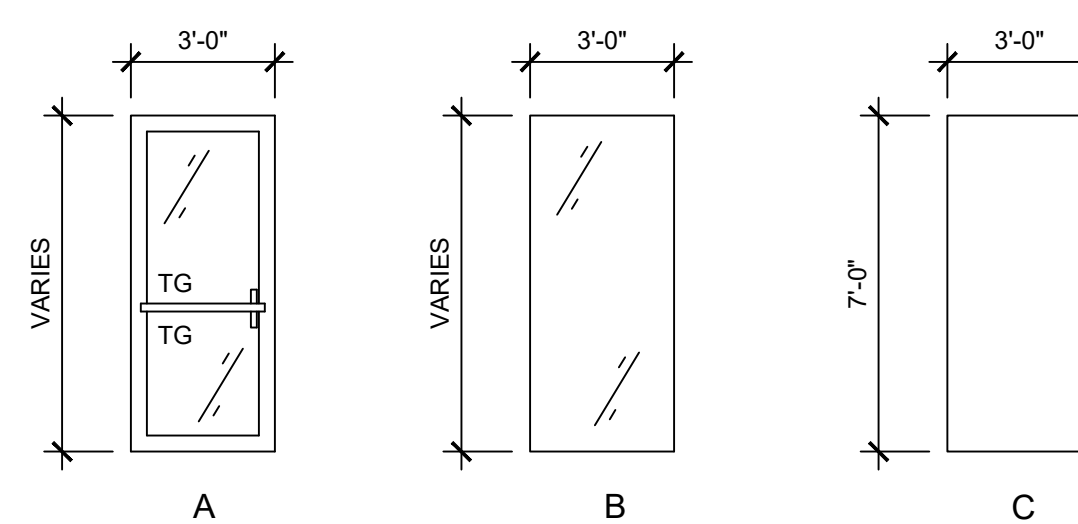
DOOR AND FRAME SCHEDULE - FIRST FLOOR - PHASE 1

No.	ROOM NAME	DOOR						FRAME						GLAZING	FIRE RATING LABEL	HARDWARE		NOTES
		SIZE			TYPE	MATL	FINISH	TYPE	MATL	FINISH	DETAIL					SET NO	KEYSIDE RM NO	
		WD	HGT	THK							HEAD	JAMB	SILL					
101A	LOBBY	3'-0"	7'-0"	1 1/4"	A	ALUM	MANF	3	ALUM	MANF					1		②	
104A	DATA 104	2'-6"	7'-0"	1 1/4"	C	WD	S&V	1	HM	PT					2			
108A	OFFICE 108	3'-0"	8'-0"	1/2"	B	BY	OTHERS	--	--	--					4			
110A	OFFICE 110	3'-0"	8'-0"	1/2"	B	BY	OTHERS	--	--	--					4			
111A	CONFERENCE 111	3'-0"	7'-0"	1/2"	B	BY	OTHERS	--	--	--					3			
116A	CONFERENCE 116	3'-0"	7'-0"	1/2"	B	BY	OTHERS	--	--	--					3			

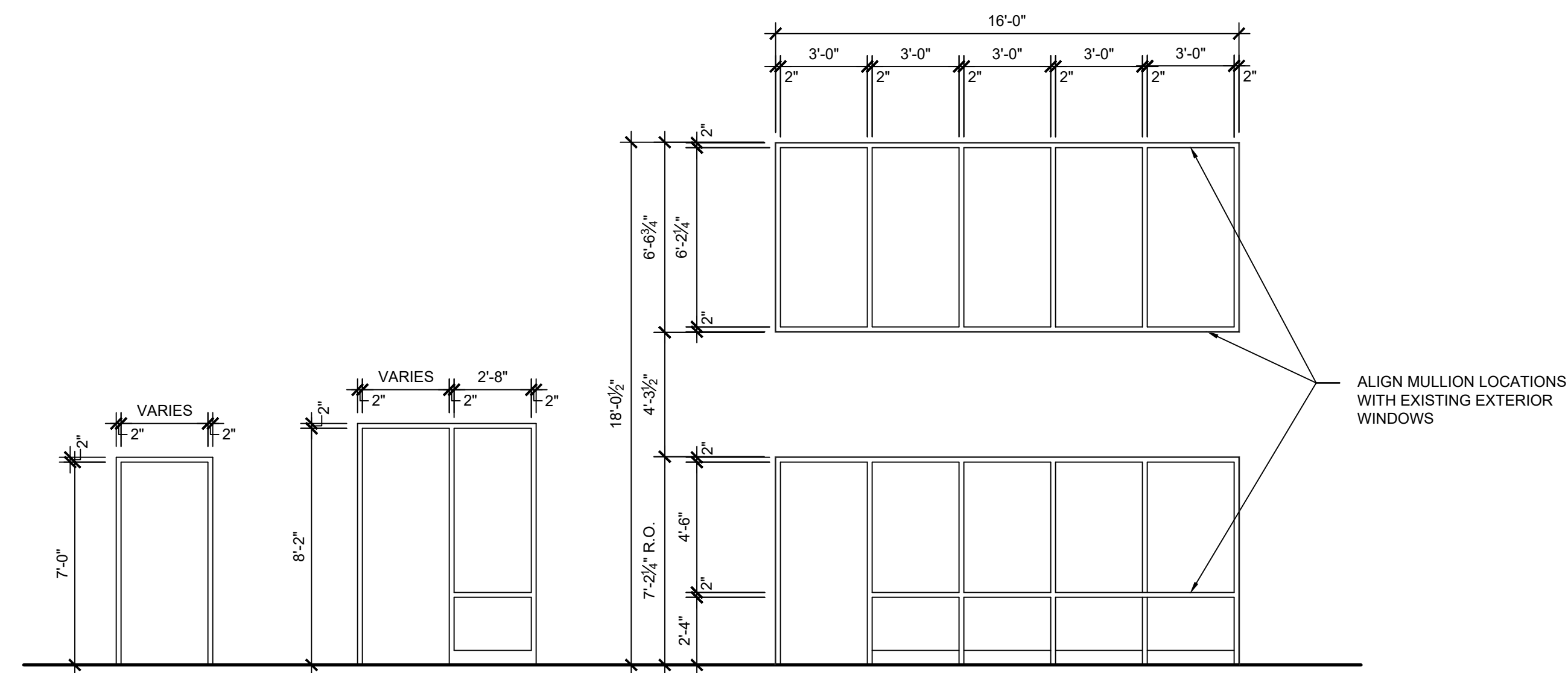
DOOR AND FRAME SCHEDULE - SECOND FLOOR - PHASE 1

No.	ROOM NAME	DOOR						FRAME						GLAZING	FIRE RATING LABEL	HARDWARE		NOTES
		SIZE			TYPE	MATL	FINISH	TYPE	MATL	FINISH	DETAIL					SET NO	KEYSIDE RM NO	
		WD	HGT	THK							HEAD	JAMB	SILL					
201A	WAITING 201	3'-0"	8'-2"	1 1/4"	A	ALUM	MANF	2	ALUM	MANF					1		②	
203A	CONFERENCE 203	3'-0"	8'-0"	1/2"	B	BY	OTHERS	--	--	--					3			
204A	CONFERENCE 204	3'-0"	8'-0"	1/2"	B	BY	OTHERS	--	--	--					4			
205A	CONFERENCE 205	3'-0"	8'-0"	1/2"	B	BY	OTHERS	--	--	--					4			
207A	DATA 207	3'-0"	7'-0"	1 1/4"	C	WD	S&V	1	HM	PT					2			

- NOTES LEGEND
 ① WEATHERSTRIP
 ② CLOSER
 ③ PANIC HARDWARE
 ④ ADA BUTTONS



E8 DOOR TYPES
1/4" = 1'-0"

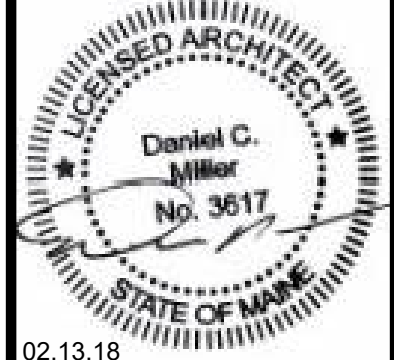


A8 FRAME TYPES
1/4" = 1'-0"

NO.	DATE	DESCRIPTION
0	00.00.00	----

FOR CONSTRUCTION
02.13.18

TAC Architectural
Group Inc.
40 Summer St., Suite 4 Bangor, ME 04401



BANGOR SAVINGS BANK -
RENOVATIONS TO 280 FORE
STREET
PORTLAND, MAINE

PROJECT NO: 15-014
 CAD DWG FILE: AE601 DOOR SCHEDULE AND DETAILS - PHASE 1
 DRAWN BY: ###
 CHK'D BY: ###
 COPYRIGHT: 2018

SHEET TITLE
**DOOR SCHEDULE AND
DETAILS - PHASE 1**

AE601