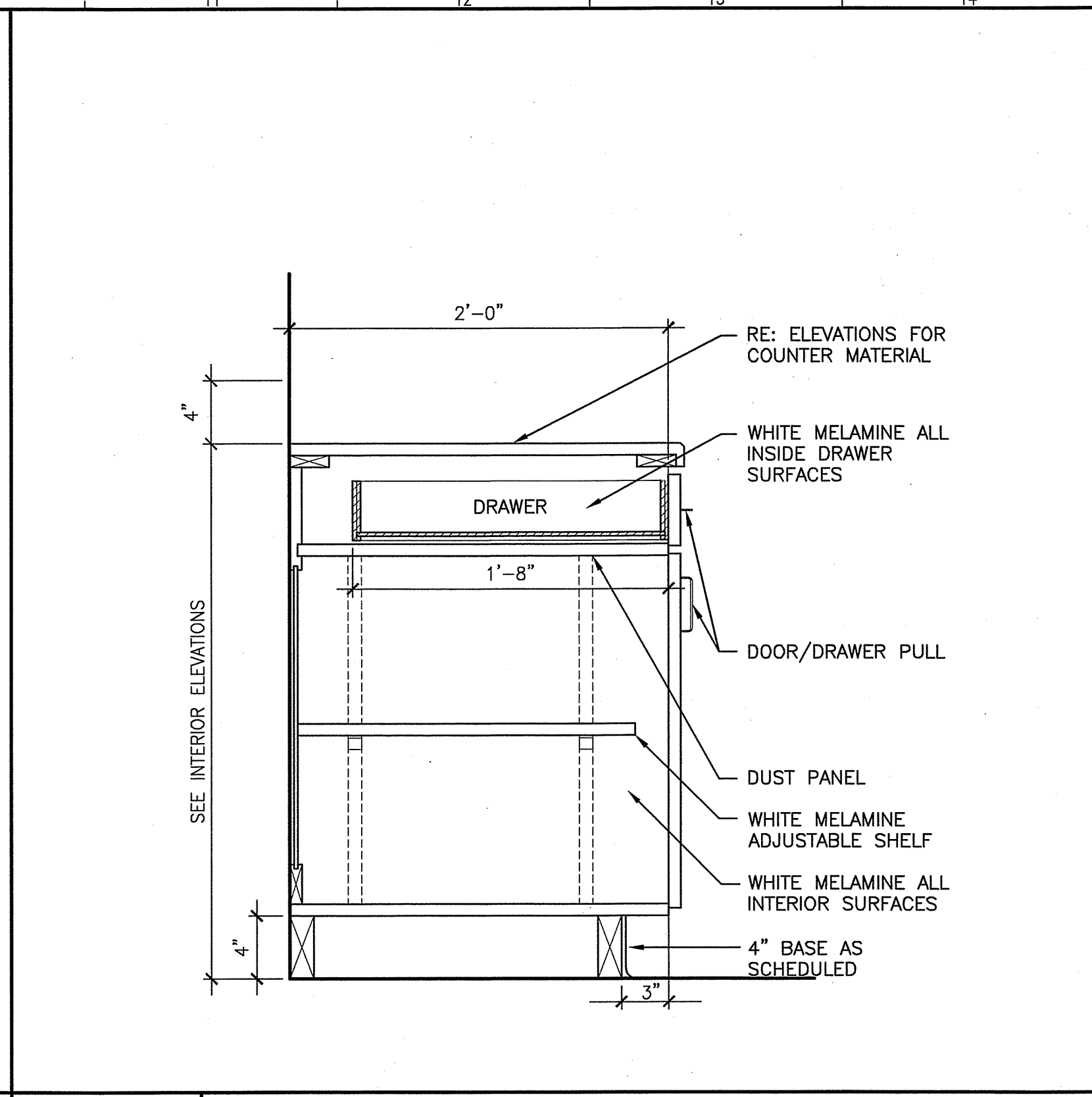
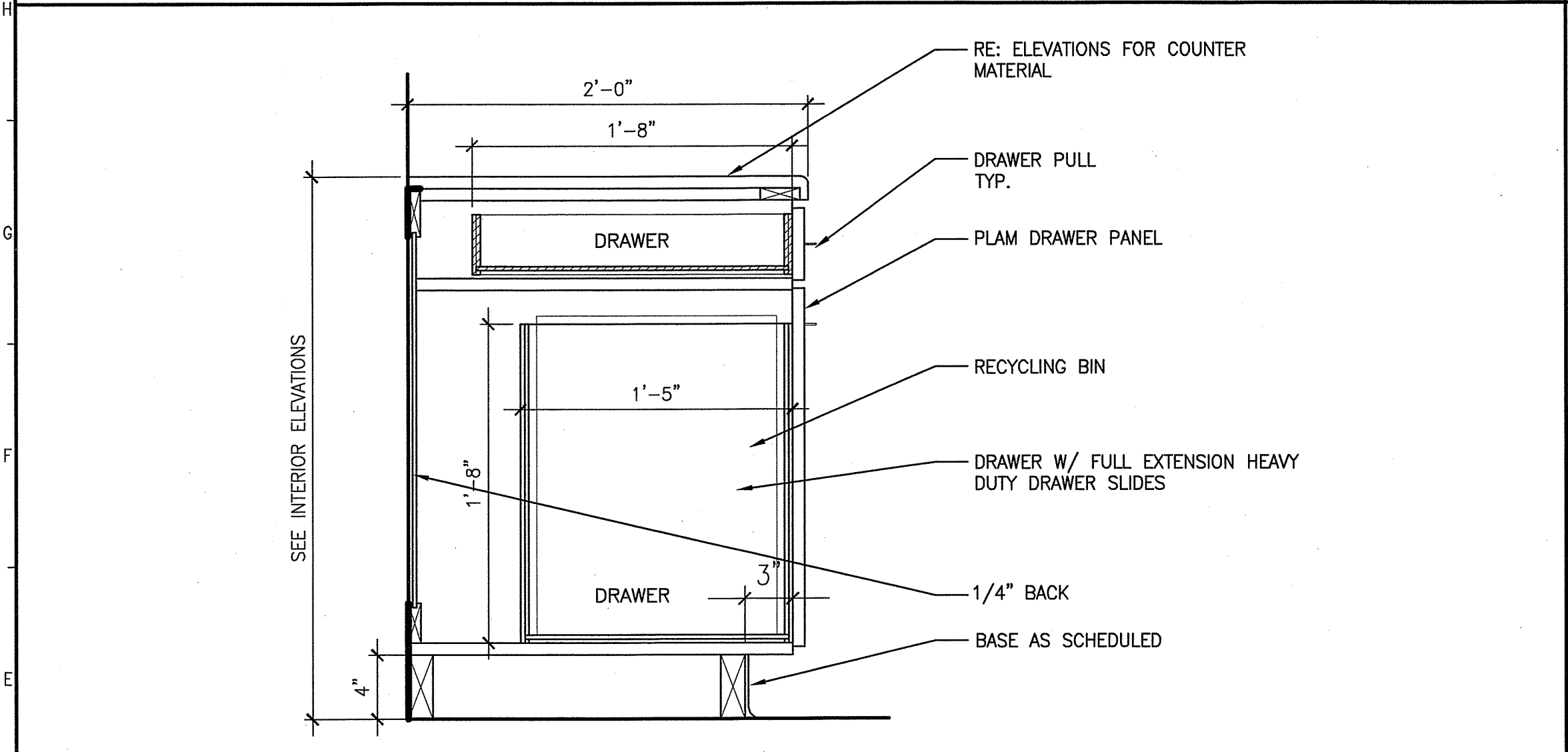


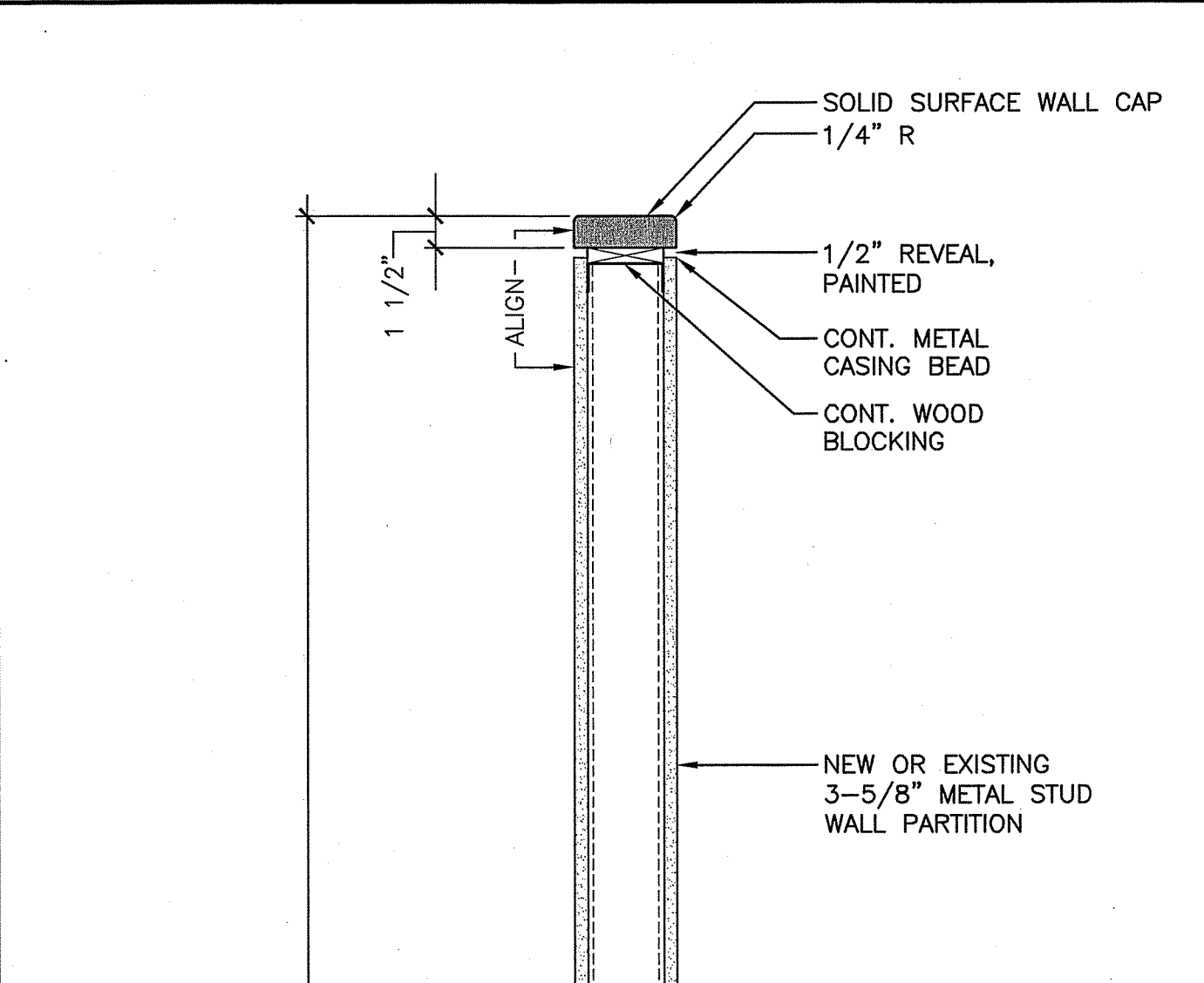
H7 CASEWORK DETAIL
1-1/2" = 1'-0"



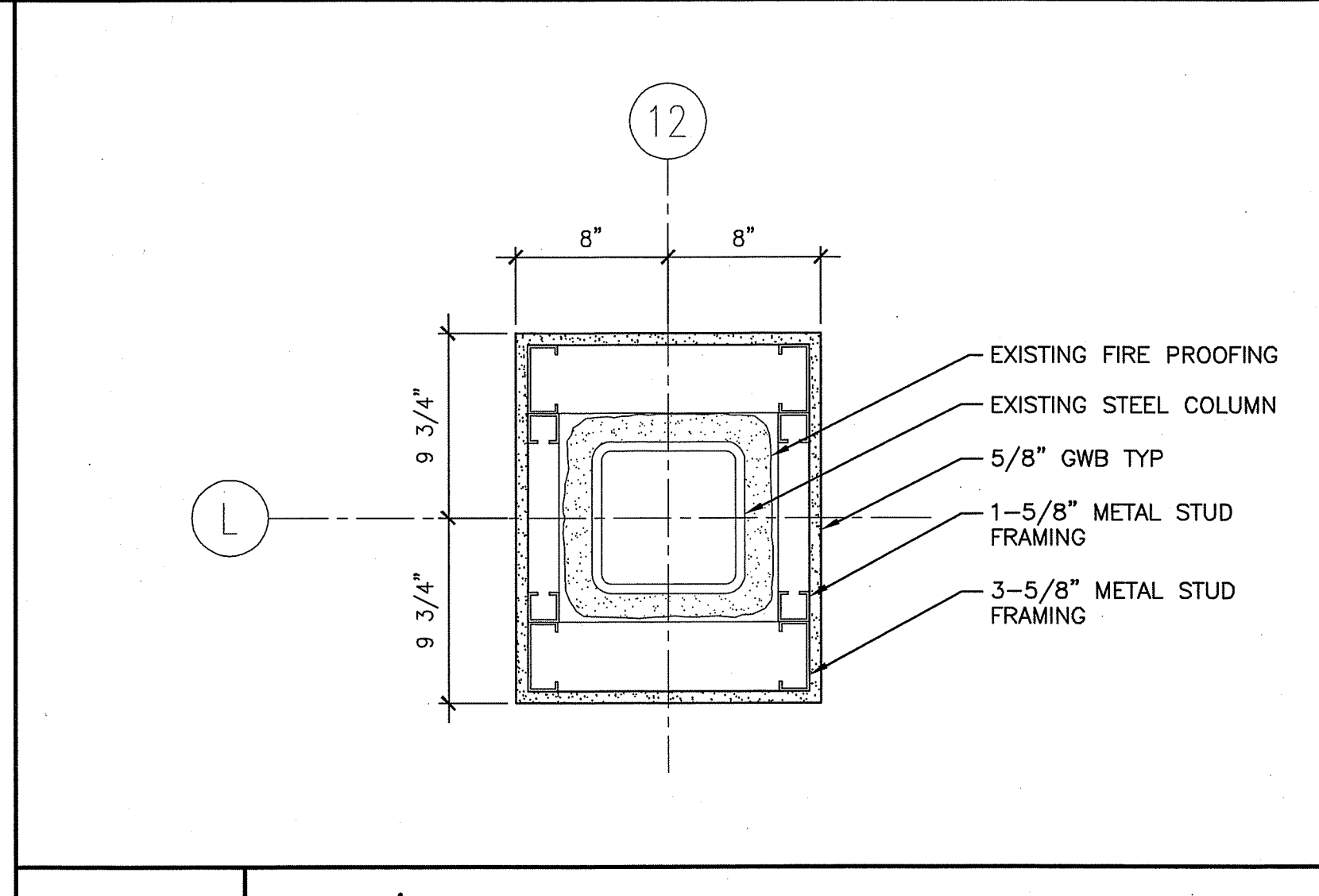
H11 CASEWORK DETAIL
1-1/2" = 1'-0"



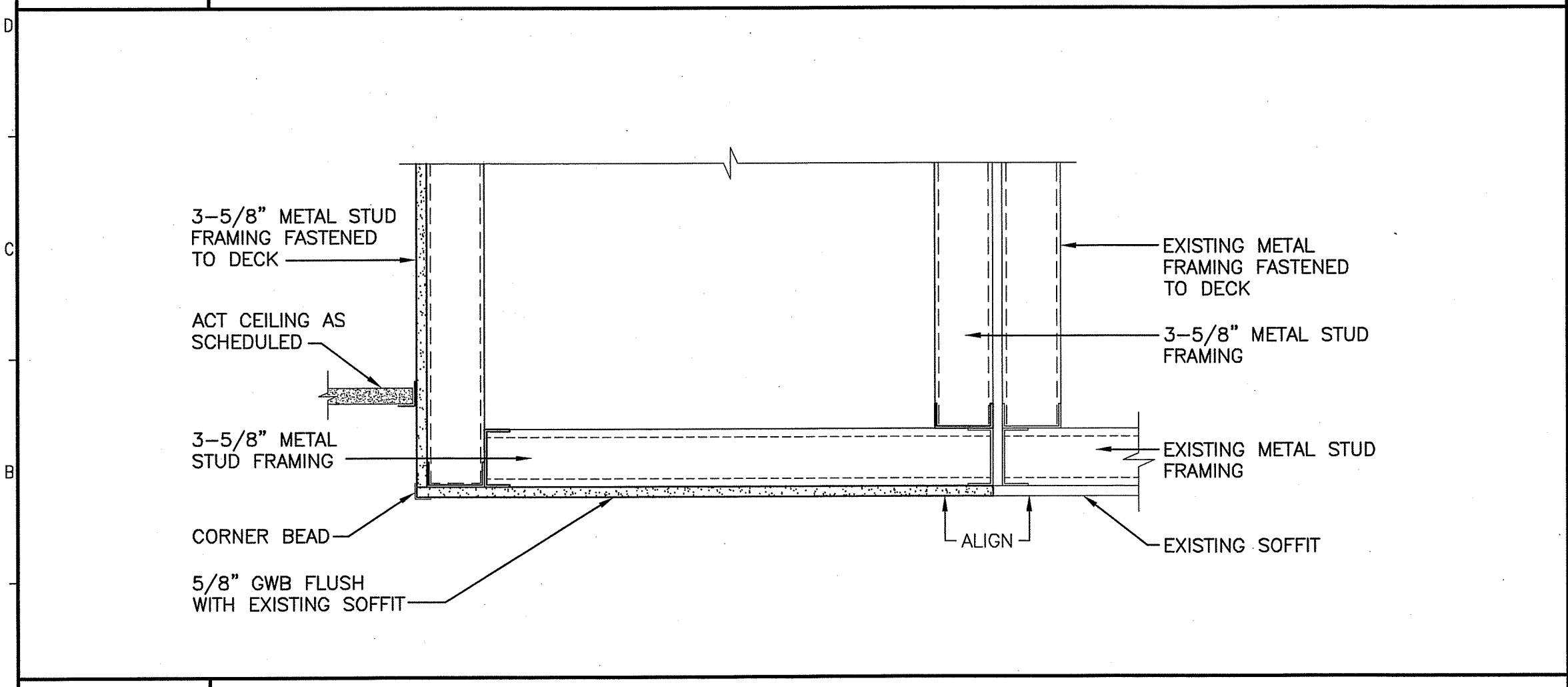
E1 CASEWORK DETAIL
1-1/2" = 1'-0"



A7 DETAIL
1-1/2" = 1'-0"



A11 END OF WALL DETAIL
1-1/2" = 1'-0"

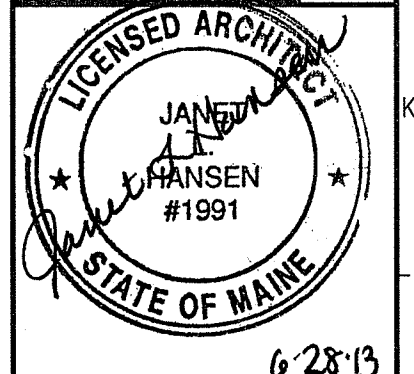
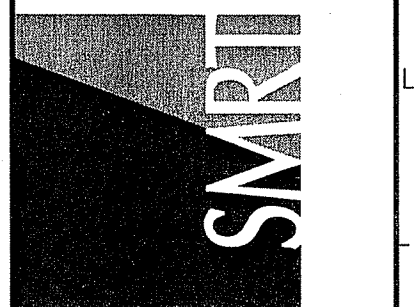


A1 SOFFIT DETAIL
1-1/2" = 1'-0"

GENERAL NOTE:
1. SEE G101 FOR PROJECT GENERAL NOTES.

144 Fore Street/P.O. Box 618
Portland, Maine 04104
tel. (207) 772-3846
fax. (207) 772-1070
www.smrinc.com

ARCHITECTURE
ENGINEERING
PLANNING
INTERIOR DESIGN
COMMISSIONING



6-28-13

BAKER, NEWMAN & NOYES
FORE STREET OFFICE BUILDING RENOVATIONS
PORTLAND, MAINE

ISSUED FOR PERMITTING
6-28-13

CURRENT ISSUE STATUS:

REV	DESCRIPTION	DATE
2	ISSUED FOR PERMITTING	6-28-13
1	ISSUED FOR SI-1	6-17-13
0	ISSUED FOR OWNER REVIEW	5-1-13

GRAPHIC SCALE:
0" = 1"

SCALE: AS INDICATED
PROJECT MANAGER: JLN
JC/DRAWN BY: JNR
A/E OF RECORD: JLN
CAD FILE: AE501-11133
PROJECT NO: 11133
DATE: 6-28-13

SHEET TITLE:
DETAILS

SHEET No.
AE501
© COPYRIGHT 2013 SMRT INC.