



E.S. BOULOS CO
ELECTRICAL CONTRACTORS

45 BRADLEY DRIVE
WESTBROOK, ME 04092
TEL: (207) 464-3706
FAX: (207) 464-1833

SM
RT

ARCHITECTURE ENGINEERING PLANNING
SMRT

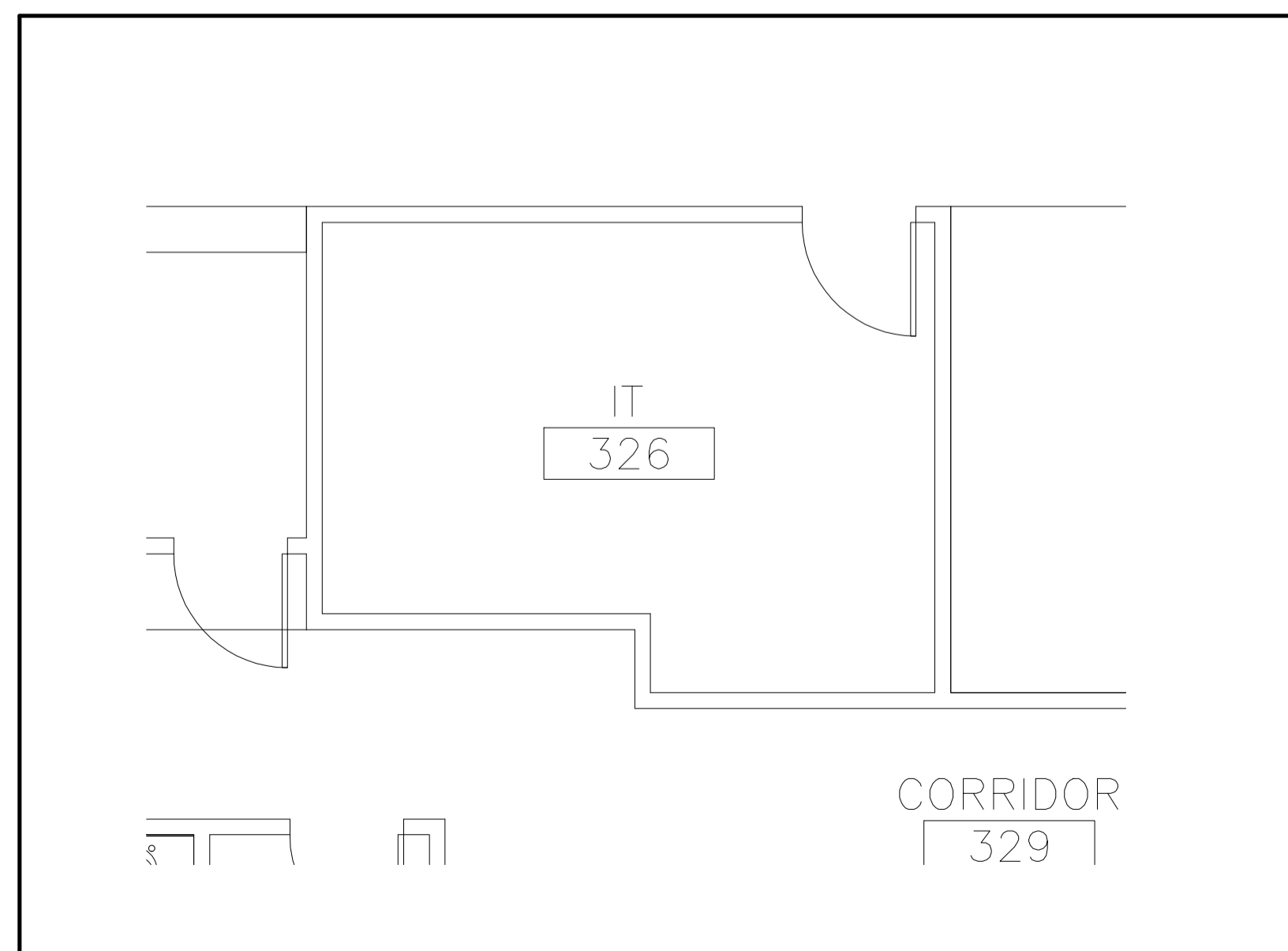
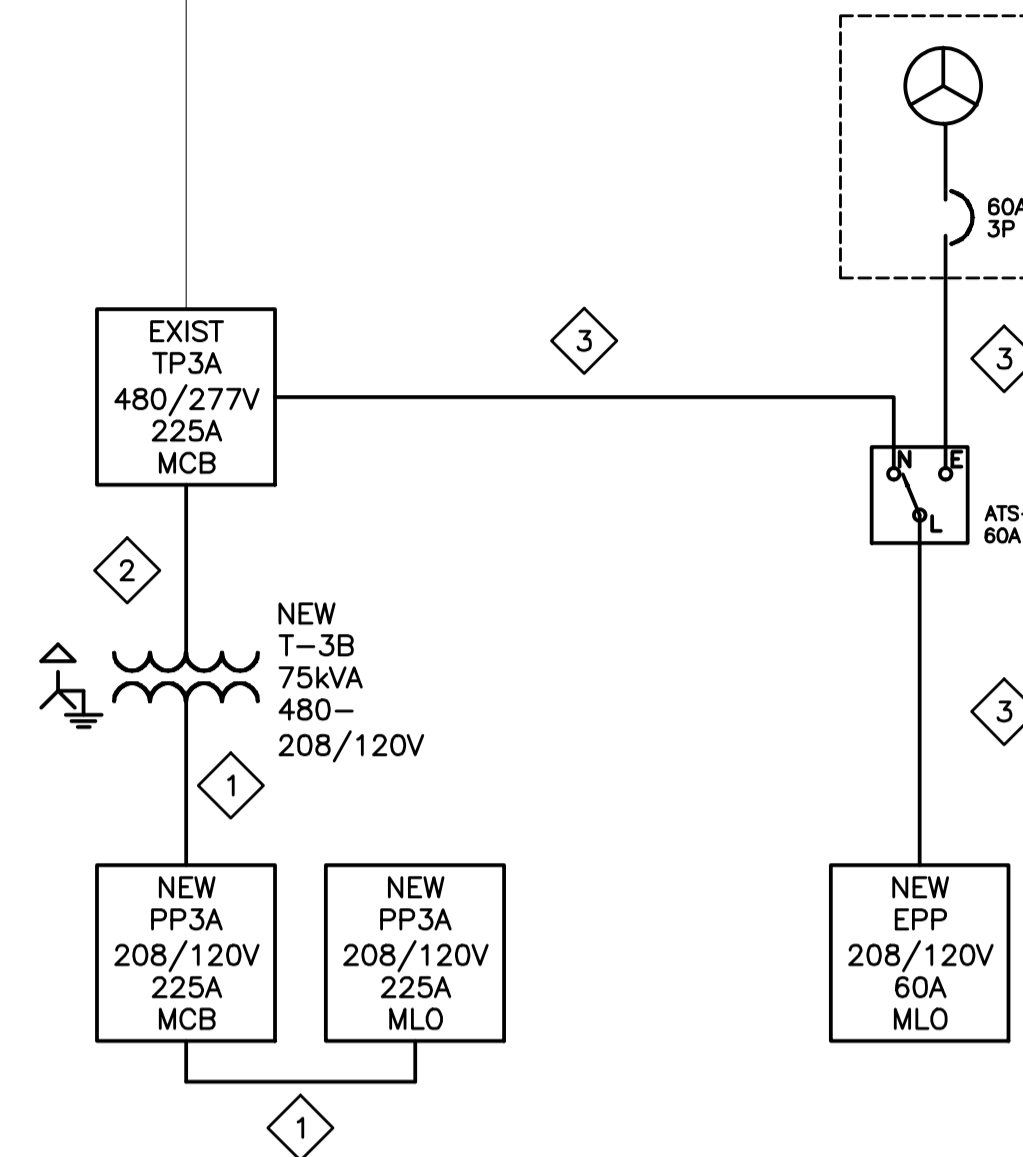
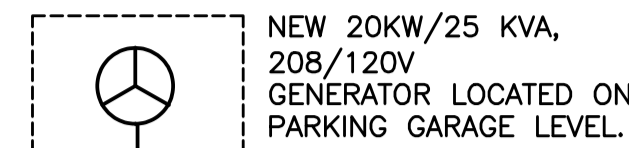
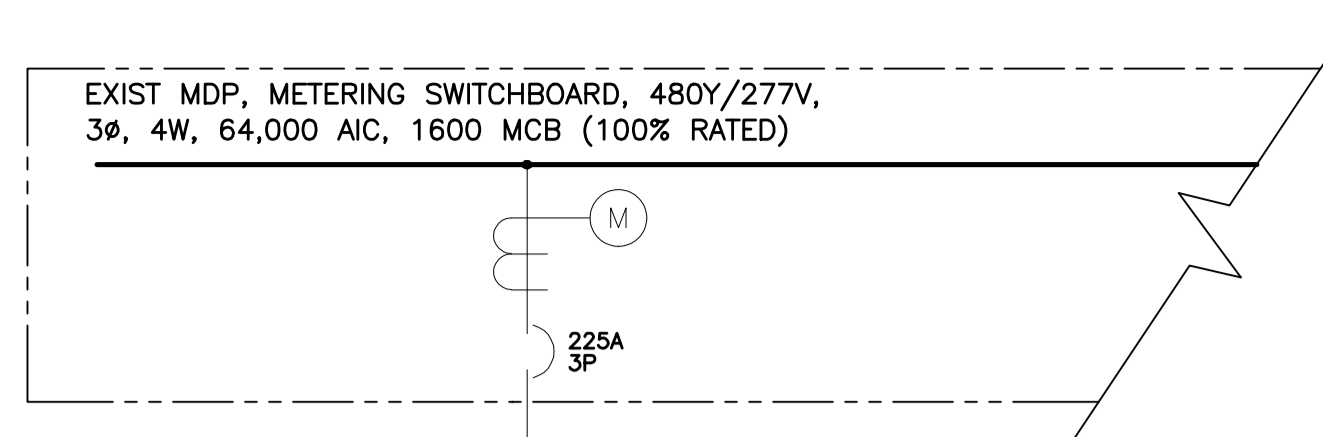
144 Fore Street/P.O. Box 618
Portland, Maine 04104
tel. (207) 772-3846
fax. (207) 772-1070

NOTE:

- 1. SEE SHEET E-001 FOR LEGEND AND GENERAL NOTES.

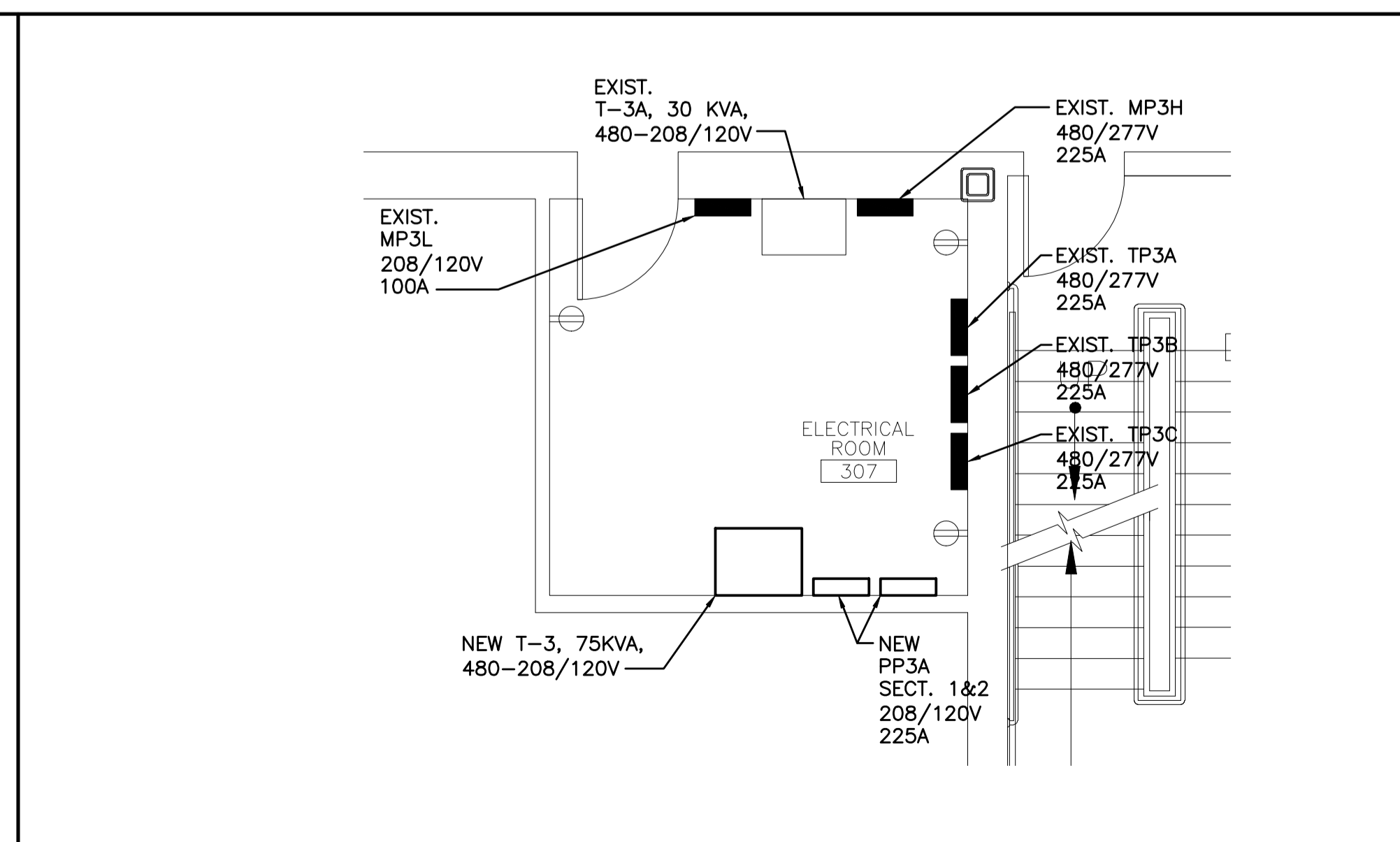
CABLE SCHEDULE:

- 1 4#4/0 AWG & #2 GND, 2-1/2" C
- 2 3#2 AWG & #8 GND, 1-1/2" C
- 3 4#6 AWG & #8 GND, 1" C



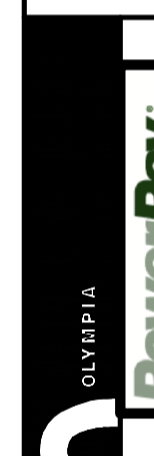
A5 IT ROOM 326 PART PLAN

1/4"=1'-0"



A9 ELECTRICAL ROOM 307 PART PLAN

1/4"=1'-0"



PROJECT TITLE:
280 FORE STREET
3rd FLOOR TENANT FIT-UP
PORTLAND, MAINE

CURRENT ISSUE STATUS:
ISSUED FOR PERMIT
9-28-05

REV	DESCRIPTION	DATE

GRAPHIC SCALE:
0" 1"

SCALE: AS NOTED

PROJECT MANAGER: JLH

JC/DRAWN BY: LAM

A/E OF RECORD: DJT

CAD FILE: E-602-05123

PROJECT NO: 05123

DATE:

SHEET TITLE:

PART PLANS
& ONE-LINE
DIAGRAM

SHEET No.
E-602

PROGRESS PRINT