

LIGHTING

- Ab 2x4 FLUORESCENT FIXTURE ASSOCIATED CONTROL DEVICE FIXTURE TYPE (SEE LIGHT FIXTURE SCHEDULE)
- 1x4 FLUORESCENT FIXTURE
- 2x2 FLUORESCENT FIXTURE
- FIXTURE WIRED TO UNSWITCHED NORMAL CIRCUIT
- FIXTURE WIRED TO UNSWITCHED EMERGENCY CIRCUIT
- FIXTURE WIRED TO SWITCHED EMERGENCY CIRCUIT
- DOWN LIGHT
- FLUORESCENT STRIP
- WALL MOUNTED FIXTURES
- TRACK LIGHTING
- POLE MOUNTED SITE LIGHTING FIXTURE
- FIXTURE TYPE (SEE LIGHT FIXTURE SCHEDULE)
- FLOOD LIGHT
- WALL WASH LIGHT FIXTURE
- EXIT SIGN, CEILING MOUNTED ARROW INDICATES EGRESS DIRECTION SHADING INDICATES SIGN FACE
- EXIT SIGN, WALL MOUNTED SHADING INDICATES SIGN FACE
- DUAL HEAD EMERGENCY LIGHT BATTERY PACK TD - TIME DELAY RESET
- REMOTE EMERGENCY LIGHTING HEAD
- WP WALL PACK
- S₃ 3-WAY TOGGLE SWITCH
- S₀ SINGLE POLE TOGGLE SWITCH INDICATES CONTROLLED FIXTURE
- S₄ 4-WAY TOGGLE SWITCH
- S_{II} DUAL LEVEL SWITCHING
- S_D DIMMER SWITCH, INCANDESCENT OR FLUORESCENT AS REQUIRED.
- S_P TOGGLE SWITCH WITH PILOT LIGHT
- S_T TIMER SWITCH, SPRING WOUND
- S_{DT} SINGLE POLE DOUBLE THROW TOGGLE SWITCH, CENTER POSITION OFF
- S_{WP} WEATHER PROOF
- S_{XP} EXPLOSION PROOF
- S_{OS} OCCUPANCY SENSOR SWITCH
- UNSWITCHED CONTINUATION OF BRANCH CIRCUIT
- HOME RUN
- OCCUPANCY SENSOR
- g. INDICATES CONTROLLED FIXTURE INDICATES AIMING DIRECTION
- OSR OCCUPANCY SENSOR RELAY
- DS DAYLIGHT SENSOR LIGHTS CONTROLLED BY SENSOR

COMMUNICATION & DATA SYSTEMS

- TELEPHONE SYSTEM WALL JACK W-INDICATES WALL MOUNTED AT 60" AFF F-INDICATES PAYPHONE (2)-INDICATES 2 OUTLETS, SINGLE BOX
- DATA SYSTEM OUTLET
- COMBINATION VOICE/DATA SYSTEM OUTLET
- UNDERFLOOR TELEPHONE SYSTEM OUTLET
- UNDERFLOOR DATA SYSTEM OUTLET
- UNDERFLOOR VOICE & DATA OUTLET
- CATV CABLE TELEVISION SYSTEM OUTLET. MOUNT 18" AFF UNLESS OTHERWISE NOTED
- CCTV CLOSED CIRCUIT TELEVISION OUTLET. MOUNT 18" AFF UNLESS OTHERWISE NOTED
- PA PAGING SYSTEM CONTROL PANEL AND PAGING AMPLIFIER
- PAGING SYSTEM SPEAKER, CEILING MOUNTED
- PAGING SYSTEM SPEAKER, WALL MOUNT AT 7'-6" AFF 1. FLUSH, 2. SURFACE, 3. HORN, 4. DUAL HORN
- VC VOLUME CONTROL
- HC INTERCOM SYSTEM HAND KEY
- CS CLOCK SPEAKER
- HS INTERCOM SYSTEM HAND SET
- CH WALL MOUNTED CLOCK

POWER

- (4) NON-FUSED SAFETY SWITCH AMPERE RATING
- 30A NEMA ENCLOSURE RATING
- F FUSED SAFETY SWITCH. TOP NUMBER INDICATES SWITCH AMPERE RATING. LOWER NUMBER INDICATES FUSE RATING
- 40AF NEMA ENCLOSURE
- (4) MAGNETIC MOTOR STARTER. FVNR UNLESS INDICATED OTHERWISE NEMA ENCLOSURE RATING
- (4) NEMA SIZE (TYPICAL)
- CBI COMBINATION CIRCUIT BREAKER/MAGNETIC MOTOR STARTER FIRST NUMBER INDICATES CIRCUIT BREAKER AMPERE RATING SECOND NUMBER INDICATES NEMA STARTER SIZE
- 20/1
- LF COMBINATION FUSED DISCONNECT/MAGNETIC MOTOR STARTER NUMBERS INDICATE DISCONNECT AMPERE RATING/FUSE RATING/NEMA STARTER SIZE
- 60/40/1
- LF NON-FUSED DISCONNECT/MAGNETIC MOTOR STARTER FIRST NUMBER INDICATES CIRCUIT BREAKER AMPERE RATING SECOND NUMBER INDICATES NEMA STARTER SIZE
- 30/1
- MOL MANUAL MOTOR STARTER. TOGGLE OPERATED, 1, 2 OR 3 POLE AS REQUIRED. OVERLOAD PROTECTION
- M MANUAL MOTOR SWITCH, TOGGLE OPERATED, SINGLE PHASE. 1 OR 2 POLE AS REQUIRED (NO OVERLOAD PROTECTION)
- CB ENCLOSED CIRCUIT BREAKER AMPERE RATING
- 100A
- (5) ELECTRIC MOTOR, NUMBER INDICATES HORSEPOWER RATING
- (5) EXPLOSION PROOF MOTOR
- VAV VARIABLE AIR VOLUME CONTROL ACTUATORS
- HS LOCAL SELECTOR SWITCH H/O/A - HAND/OFF/AUTO
- H/O/A
- EMO EMERGENCY OFF BREAK GLASS STATION
- PB PUSHBUTTON STATION
- J JUNCTION BOX
- T TRANSFORMER
- P POWER POLE
- CONDUIT TURNING UP
- CONDUIT TURNING DOWN
- EY CONDUIT SEAL
- E DUPLEX RECEPTACLE, NEMA 5-20R. INSTALLED ON EMERGENCY CIRCUIT (TYPICAL) GF1 DUPLEX RECEPTACLE, NEMA 5-20R
- HOSPITAL GRADE DUPLEX RECEPTACLE, NEMA 5-20R
- HOSPITAL GRADE GFCI DUPLEX RECEPTACLE, NEMA 5-20R
- HOSPITAL GRADE ISOLATED GROUND DUPLEX RECEPTACLE, NEMA 5-20R
- SINGLE RECEPTACLE, NEMA 5-20R
- DOUBLE DUPLEX (QUADRUPLX) RECEPTACLE, NEMA 5-20R
- HOSPITAL GRADE DOUBLE DUPLEX RECEPTACLE NEMA 5-20R
- SWITCHED RECEPTACLE
- FLOOR OUTLET, DUPLEX RECEPTACLE, NEMA 5-20R
- POWER RECEPTACLE, 480 VOLT NEMA CONFIGURATION AS NOTED.
- POWER RECEPTACLE, 240 VOLT NEMA CONFIGURATION AS NOTED.
- PANELBOARD, NORMAL POWER
- PANELBOARD, EMERGENCY POWER
- MULTI OUTLET ASSEMBLY

GROUNDING

- GROUND ROD
- EXOTHERMIC WELD CONNECTION
- BOLTED CONNECTION
- BARE COPPER CONDUCTOR RUN EXPOSED
- BARE COPPER CONDUCTOR EMBEDDED IN CONCRETE OR BURIED

NURSE CALL SYSTEM

- NURSE CALL CALL LIGHT
- PATIENT CALL BUTTON
- NURSE CALL PULL CORD
- NURSE CALL MASTER STATION

LINE TYPES

- EXISTING
- NEW
- DEMOLITION

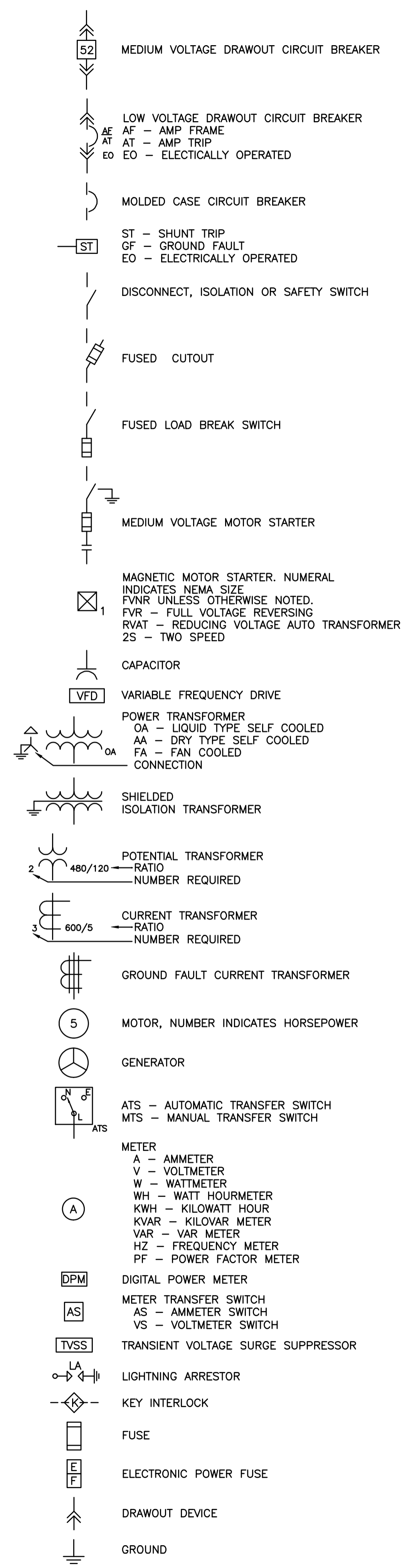
FIRE ALARM

- FACP FIRE ALARM CONTROL PANEL
- FAA FIRE ALARM ANNUNCIATOR
- M FIRE ALARM MASTER BOX
- F FIRE ALARM MANUAL PULL STATION
- F FIRE ALARM SPEAKER/STROBE UNIT
- F FIRE ALARM AUDIBLE/VISIBLE NOTIFICATION APPLIANCE (GENERAL EVACUATION)
- F FIRE ALARM AUDIBLE/VISIBLE NOTIFICATION APPLIANCE (LOCAL)
- F (110) FIRE ALARM VISIBLE ONLY NOTIFICATION APPLIANCE CANDELA INTENSITY-15/75 UNLESS OTHERWISE NOTED CEILING MOUNTED
- P PHOTOELECTRIC SMOKE DETECTOR. CEILING MOUNTED INDICATES AUXILIARY CONTACT.
- (H) FIXED TEMPERATURE HEAT DETECTOR. CEILING MOUNTED.
- (H) INDICATES EQUIPMENT INTERLOCKED WITH THE DETECTOR
- (P) CLEAN ROOM SMOKE DETECTOR
- (P) INDICATES EQUIPMENT INTERLOCKED WITH THE SMOKE DETECTOR
- (H) COMBINATION RATE-OF-RISE/FIXED TEMPERATURE HEAT DETECTOR. CEILING MOUNTED
- (D) DUCT SMOKE DETECTOR, PHOTOELECTRIC WITH AUXILIARY CONTACT.
- FS SPRINKLER SYSTEM FLOW SWITCH
- TS SPRINKLER SYSTEM TAMPER SWITCH
- DH FIRE ALARM SYSTEM MAGNETIC DOOR HOLDER
- X INTERLOCK RELAY
- SD SMOKE DAMPER
- RTI DUCT SMOKE DETECTOR REMOTE TEST INDICATOR
- K KNOX BOX

SECURITY SYSTEMS

- 2-WAY CEILING MOUNTED INTERCOM SPEAKER
- CEILING MOUNTED PAGING SPEAKER
- WALL MOUNTED PAGING HORN
- CEILING OR WALL MOUNTED FIXED CAMERA
- CEILING OR WALL MOUNTED PTZ CAMERA
- PAGING CONTROL EQUIPMENT
- INT INTERCOM MASTER STATION
- DOOR DOOR CONTROL EQUIPMENT
- DC MONITORED DOOR POSITION SWITCH AND CONTROLLED DOOR HARDWARE
- DPS MONITORED DOOR POSITION SWITCH
- STANDARD INTERCOM STATION
- VISITATION TELEPHONE
- WALL MOUNTED DURESS BUTTON
- GP GRAPHIC CONTROL PANEL
- TS TOUCH SCREEN WORKSTATION
- TV CCTV CONTROL OR DISPLAY EQUIPMENT
- ZONE PERIMETER CONTROL EQUIPMENT
- DUR DURESS CONTROL EQUIPMENT
- DURESS ALARM RECEIVER
- OFFICER CONTROLLED COLLECT-ONLY PUBLIC TELEPHONE
- DEL OFFICER CONTROLLED FIRE SPRINKLER (DELUGE) HEAD
- MW-H DUAL TECHNOLOGY VOLUMETRIC SENSOR
- DR LOCAL DOOR RELEASE BUTTON
- WAT OFFICER CONTROLLED SHOWER WATER SUPPLY
- L&E OFFICER CONTROLLED LIGHTING AND ELECTRICAL OUTLETS
- DOOR CONTACT
- CR CARD READER
- KP KEY PAD
- CCTV CLOSED CIRCUIT TELEVISION CAMERA
- ES ELECTRIC STRIKE
- ML MAG LOCK

ONE LINE DIAGRAM



ABBREVIATIONS

A.AMP AMPERE	AFF ABOVE FINISHED FLOOR	LA LIGHTING ARRESTER
AFG ABOVE FINISHED GRADE	AHJ AUTHORITY HAVING JURISDICTION	LTG LIGHTING
AHU AMPERE INTERRUPTING CAPACITY	AWG AMERICAN WIRE GAUGE	MC METAL CLAD
BFG BELOW FINISHED GRADE	BOS BOTTOM OF STEEL	MCB MAIN CIRCUIT BREAKER
C CONDUIT, CONDUCTOR	CATV CABLE TELEVISION	MFR MANUFACTURER
CB CIRCUIT BREAKER	CCTV CLOSED CIRCUIT TELEVISION	MI MINERAL INSULATED
CPT CONTROL POWER TRANSFORMER	CT CURRENT TRANSFORMER	MLO MAIN LUG ONLY MOUNTED
CU COPPER	DACT DIGITAL ALARM COMMUNICATOR TRANSMITTER	MV MEDIUM VOLTAGE
DB DIRECT BURIED	DISC DISCONNECT	NC NORMALLY CLOSED
DN DOWN	EMT ELECTRICAL METALLIC TUBING	NEC NATIONAL ELECTRICAL CODE
EWC ELECTRIC WATER COOLER	FAA FIRE ALARM ANNUNCIATOR	NEG NEGATIVE
FACP FIRE ALARM CONTROL PANEL	FBO FURNISHED BY OTHERS	NEUT NEUTRAL
FJ FURNISHED WITH EQUIPMENT	GEN GENERATOR	NIC NOT IN CONTRACT
GFCI GROUND FAULT CIRCUIT BREAKER	GND GROUND	NO NORMALLY OPEN
HP HORSEPOWER	HTR HEATER	NTS NOT TO SCALE
IG INTERMEDIATE METAL CONDUIT	K KILO	PF POWER FACTOR
KCMIL THOUSAND CIRCULAR MILS	KV KILOVOLT	PH PHASE
KVA KILOVOLT-AMPERE	KVAR KILOVOLT-AMPERE REACTIVE	PVC POLYVINYL CHLORIDE
KW KILOWATT	KWH KILOWATT-HOUR	RGS RIGID STEEL CONDUIT
		RSC RIGID STEEL CONDUIT
		RTD RESISTANCE TEMPERATURE DETECTOR
		SN SOLID NEUTRAL
		STP SHIELDED TWISTED PAIR
		SWBD SWITCHBOARD
		SWGR SWITCHGEAR
		TOS TOP OF STEEL
		TRANSF TRANSFORMER
		TVSS TRANSIENT VOLTAGE SURGE SUPPRESSOR
		V VOLT
		VA VOLT-AMPERE
		VAR VOLT-AMPERE REACTIVE
		WM WATT METER
		WP WEATHER PROOF
		XFMR TRANSFORMER
		XP EXPLOSION PROOF

GENERAL NOTES:

- ALL WORK SHALL BE PERFORMED IN ACCORDANCE WITH NFPA-70, NATIONAL ELECTRICAL CODE (NEC).
- ALL MOTOR SAFETY SWITCHES, DISCONNECTS AND MOTOR STARTERS ARE PROVIDED BY DIVISION 16000 UNLESS NOTED AS FURNISHED WITH EQUIPMENT (FWE).
- UNLESS OTHERWISE NOTED CONVENIENCE RECEPTACLES SHALL BE MOUNTED 18-INCHES AFF, LIGHTING TOGGLE SWITCHES 48-INCHES AFF, DATA SYSTEM OUTLETS 18-INCHES AFF, FIRE ALARM NOTIFICATION DEVICES 80-INCHES AFF OR 6-INCHES BELOW CEILING, WHICHEVER IS LOWER, AND FIRE ALARM MANUAL PULL STATIONS 48-INCHES TO TOP OF DEVICE.
- ALL PENETRATIONS THROUGH FLOORS, RATED WALLS AND PARTITIONS SHALL BE SEALED WITH UL APPROVED FIRE SEALANT MATERIAL TO MAINTAIN THE RATING OF SEPARATION.
- ALL ENCLOSURES, CONDUIT BODIES AND THEIR COVERS CONTAINING FIRE ALARM SYSTEM CONDUCTORS SHALL BE PAINTED RED.
- AN EQUIPMENT GROUNDING CONDUCTOR SHALL BE INSTALLED WITH EVERY FEEDER AND BRANCH CIRCUIT.
- UNLESS OTHERWISE NOTED WIRING SHALL BE 2#12 AWG CONDUCTORS A #12 GND. HOME RUNS FED FROM 20A-1P CIRCUITS IN EXCESS OF 100 FEET SHALL BE #10 AWG.
- FLEXIBLE CONNECTIONS TO MOTORS SHALL BE LIQUID TIGHT FLEXIBLE METAL CONDUIT, UNLESS OTHERWISE NOTED.
- LIGHTING TOGGLE SWITCHES SHALL BE COMMERCIAL SPECIFICATION GRADE 120 VOLT, SIDE WIRED AND PROVIDED WITH GROUNDING SCREW. LEVITON, PASS AND SEYMOUR OR APPROVED EQUAL. COORDINATE COLOR WITH ARCHITECT.
- CONVENIENCE RECEPTACLES SHALL BE COMMERCIAL SPECIFICATION GRADE GROUNDING TYPE NEMA 5-20R, SIDE WIRED. LEVITON, PASS AND SEYMOUR OR APPROVED EQUAL. COORDINATE COLOR WITH ARCHITECT.
- PROVIDE WALL PLATES FOR ALL WIRING DEVICES, NYLON SMOOTH TYPE IN FINISHED AREAS AND GALVANIZED IN UNFINISHED AREAS.
- ALL WIRING SHALL BE 600V, COPPER WITH THHN/THWN INSULATION.

GENERAL NOTE

1. ALL GENERAL NOTES, SYMBOL LISTS, AND DETAILS ARE TO BE CONSIDERED AS APPLICABLE TO ALL ELECTRICAL DRAWINGS FOR THIS PROJECT. SYMBOLS AND ABBREVIATIONS SHOWN ON THIS SHEET ARE FOR REFERENCE ONLY AND DO NOT INDICATE THEIR INCORPORATION IN THE DESIGN.



45 BRADLEY DRIVE
WESTBROOK, ME 04092
TEL: (207) 464-3706
FAX: (207) 464-1833

ARCHITECTURE ENGINEERING PLANNING

144 Fore Street/P.O. Box 618
Portland, Maine 04104
tel. (207) 772-3846
fax. (207) 772-1070



PROJECT TITLE: 280 FORE STREET TENANT FIT-UP
3rd FLOOR
PORTLAND, MAINE

REV	DATE	DESCRIPTION

GRAPHIC SCALE:
0" 1"
SCALE: AS NOTED
PROJECT MANAGER: JLH
JC/DRAWN BY: LAM
A/E OF RECORD: DJT
CAD FILE: E-001-05123
PROJECT NO: 05123
DATE:
SHEET TITLE:

LEGEND AND GENERAL NOTES

SHEET No. E-001