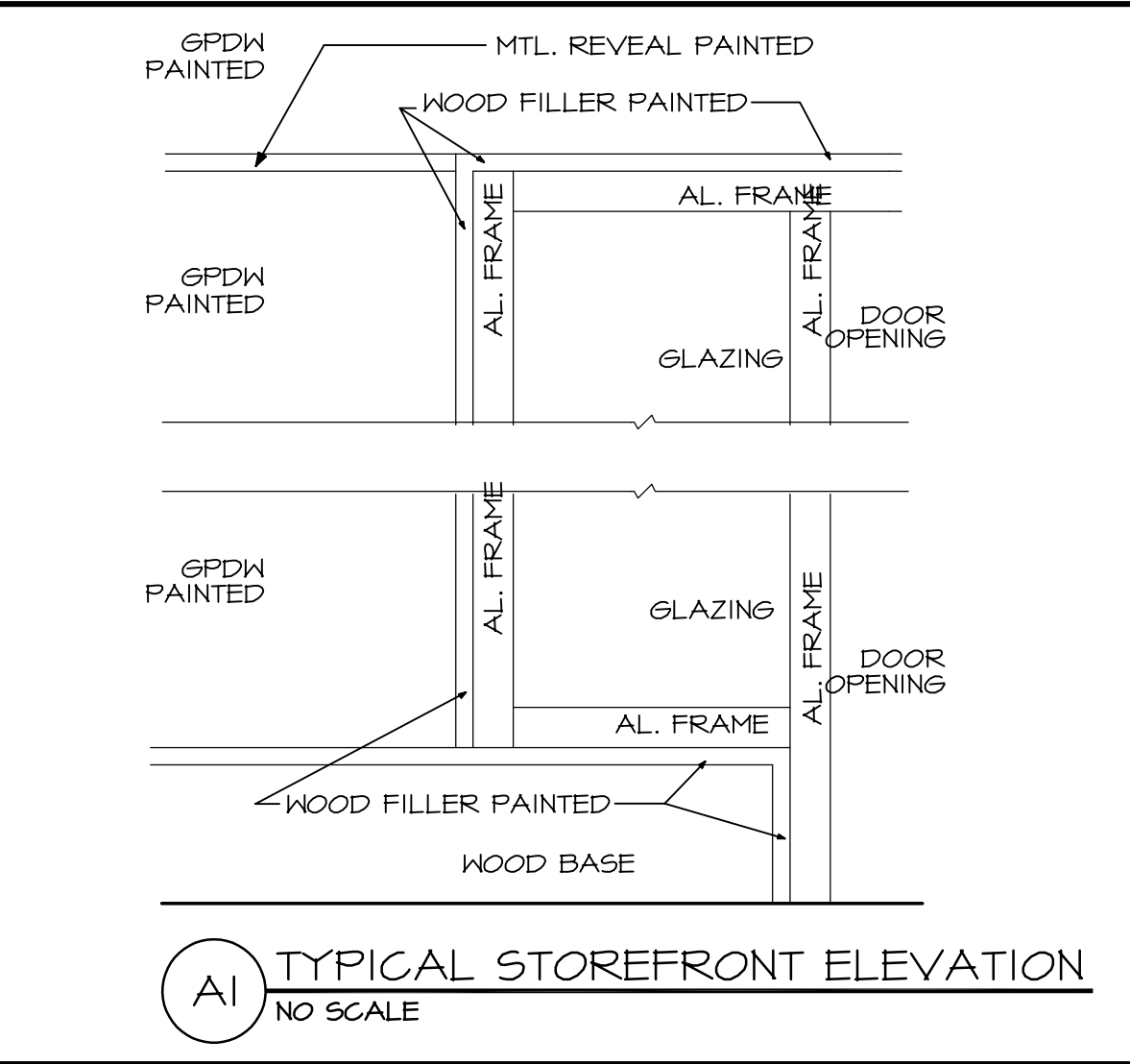
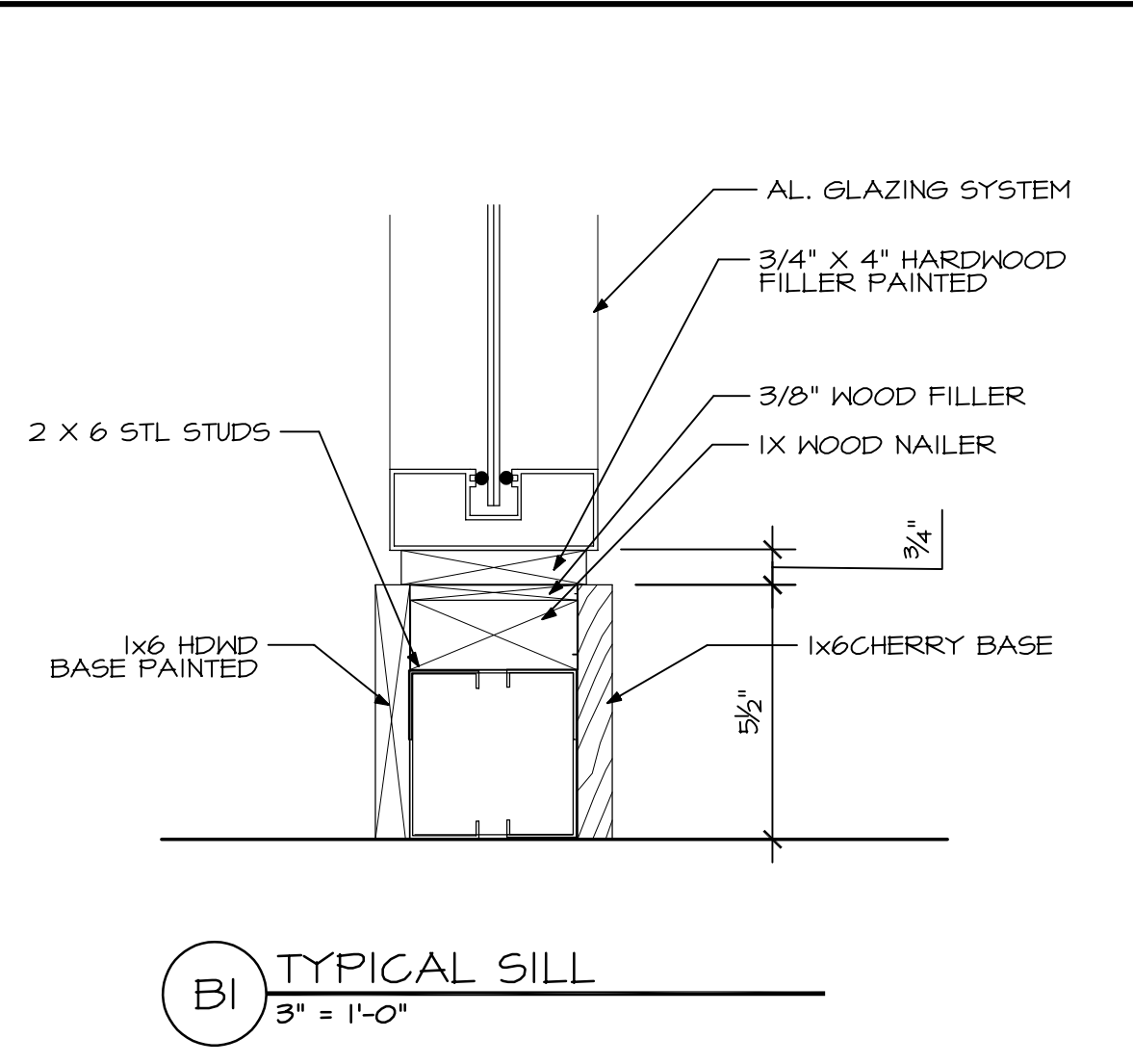
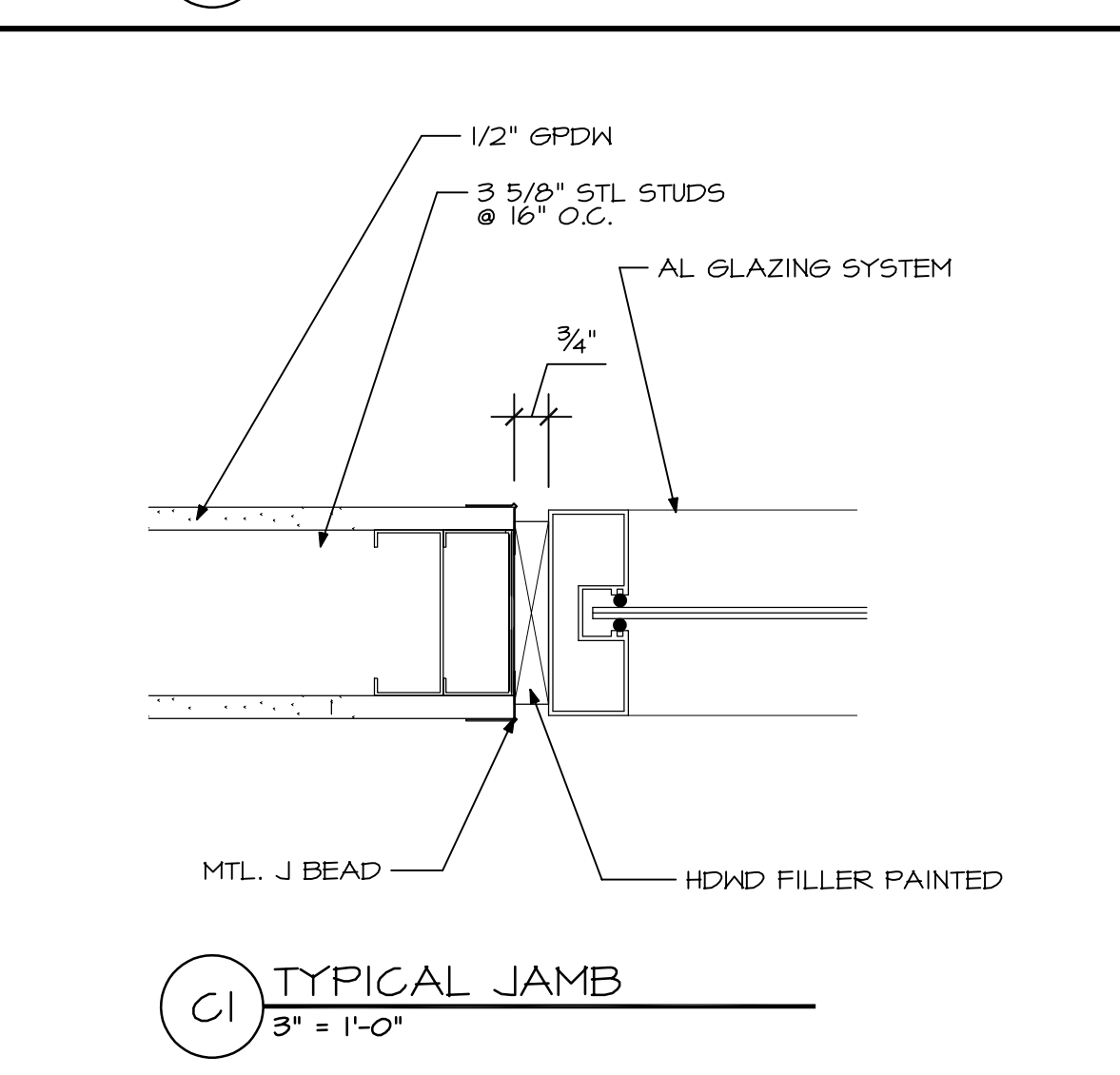
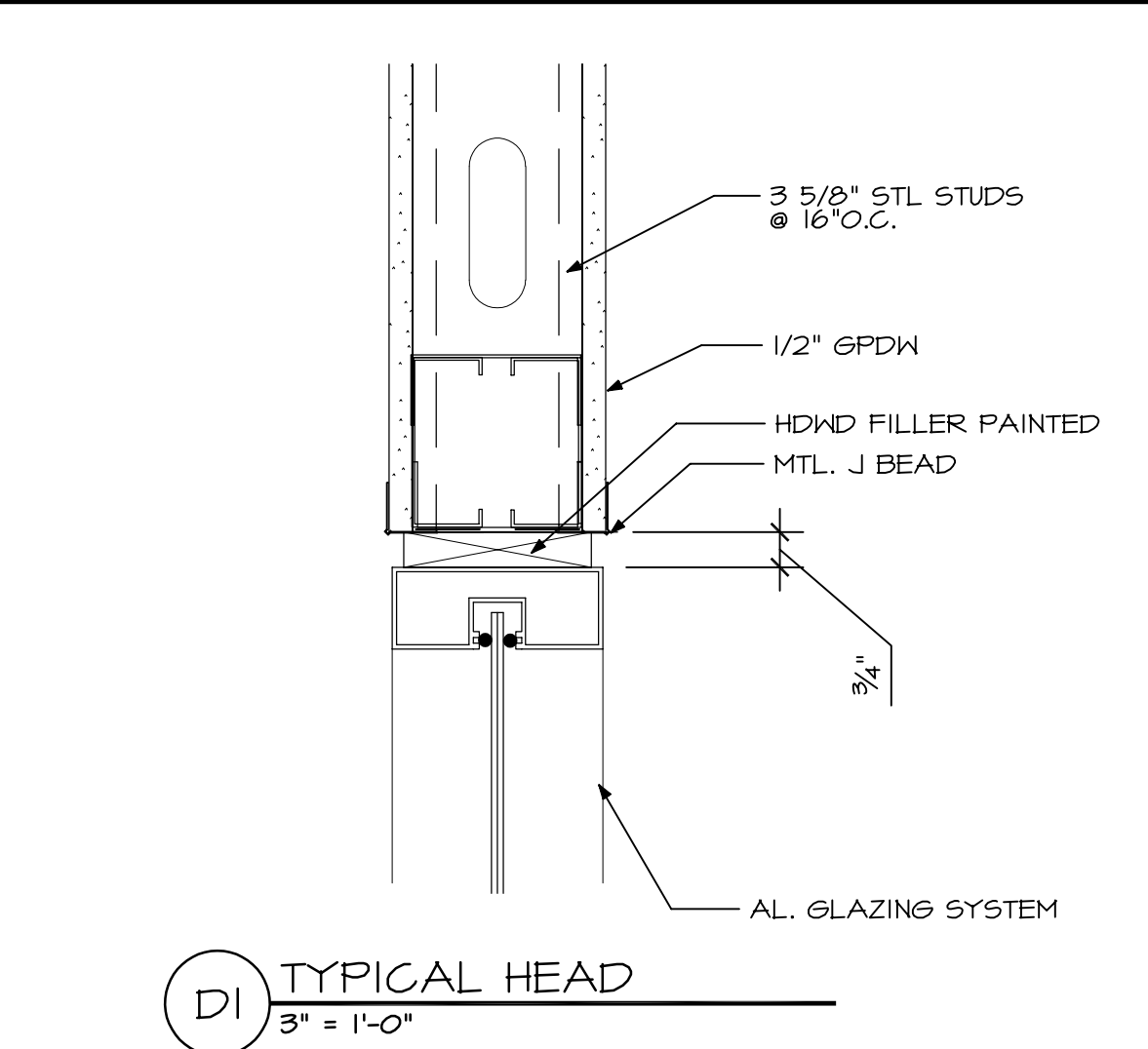
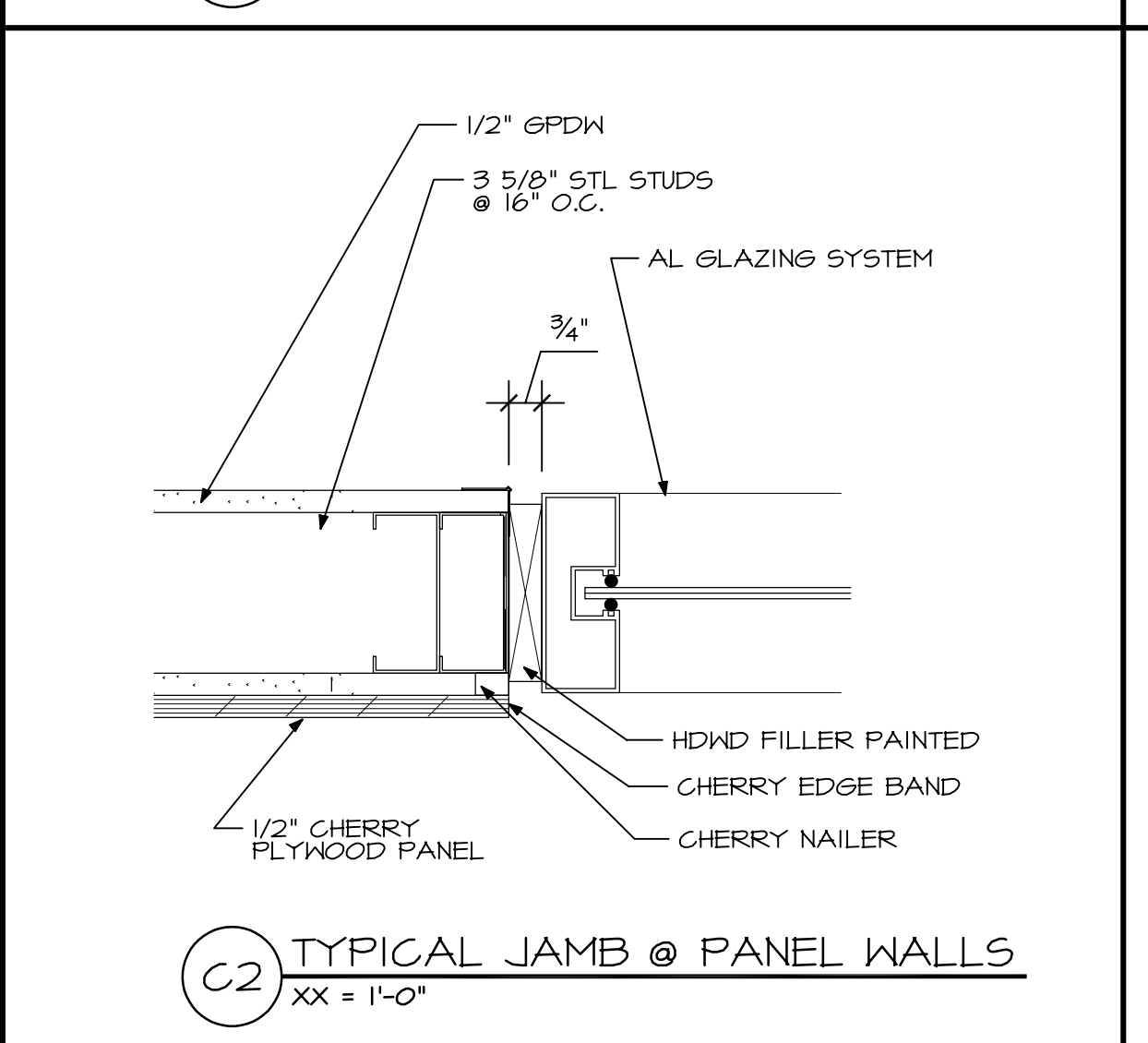
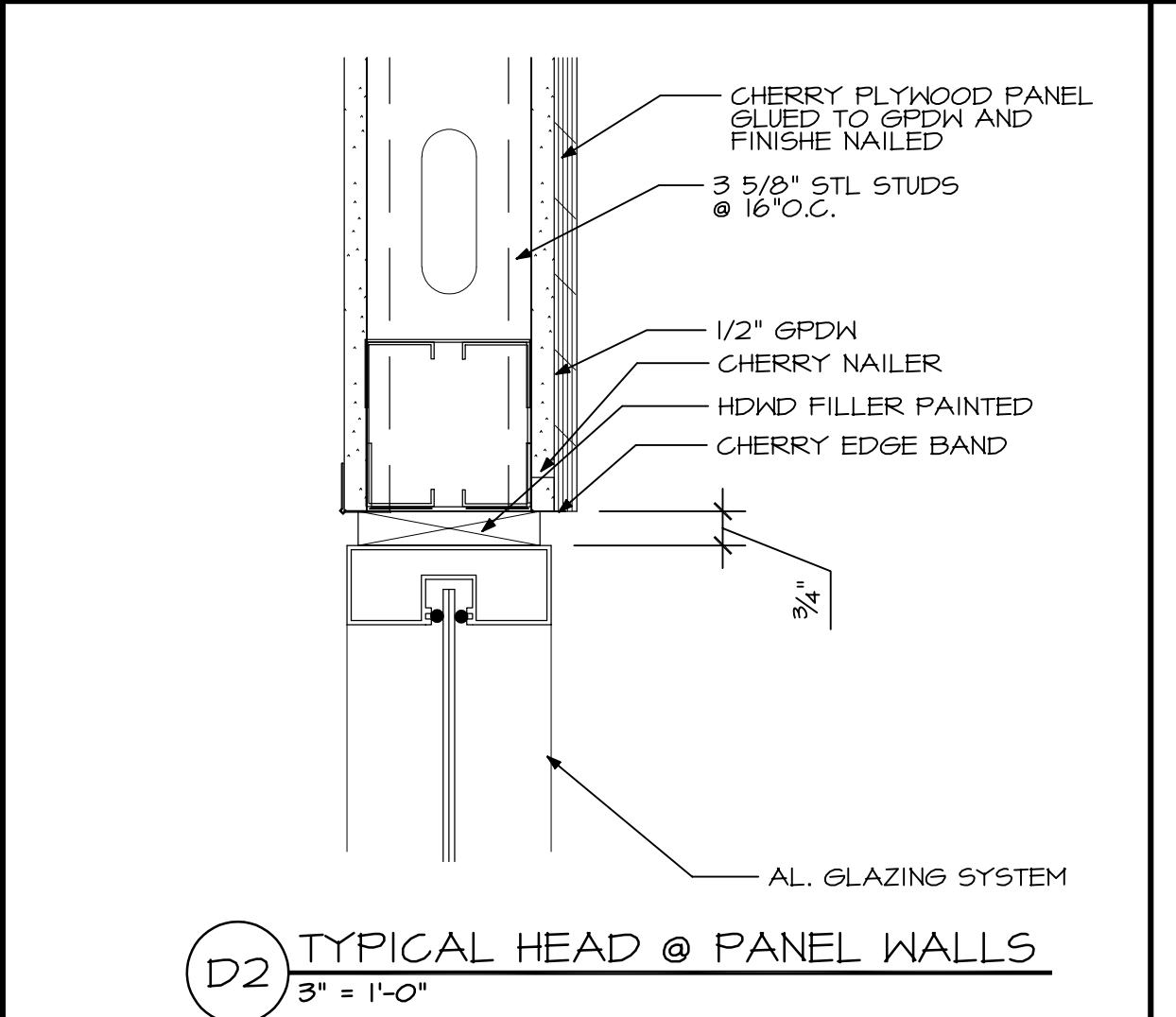
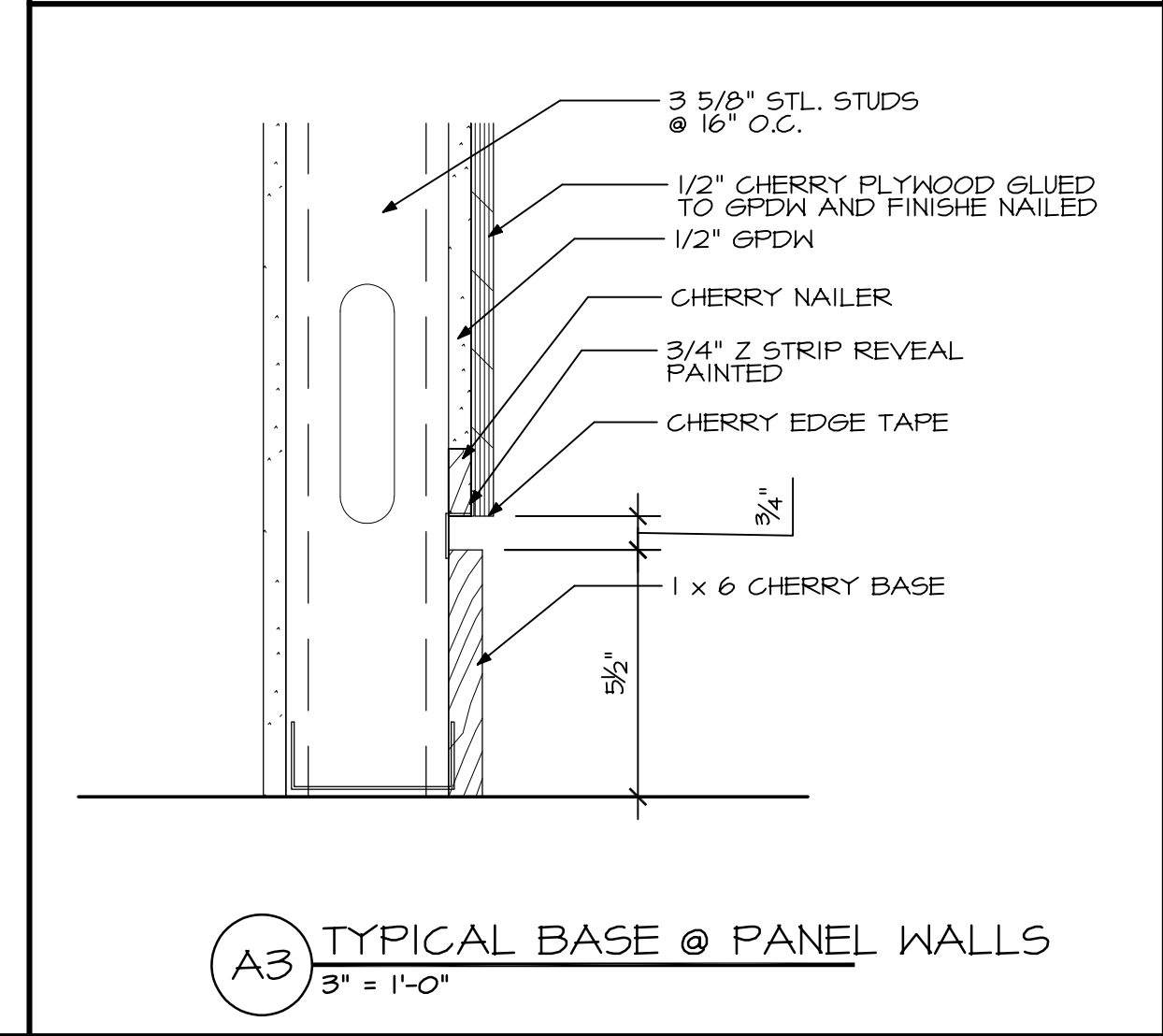
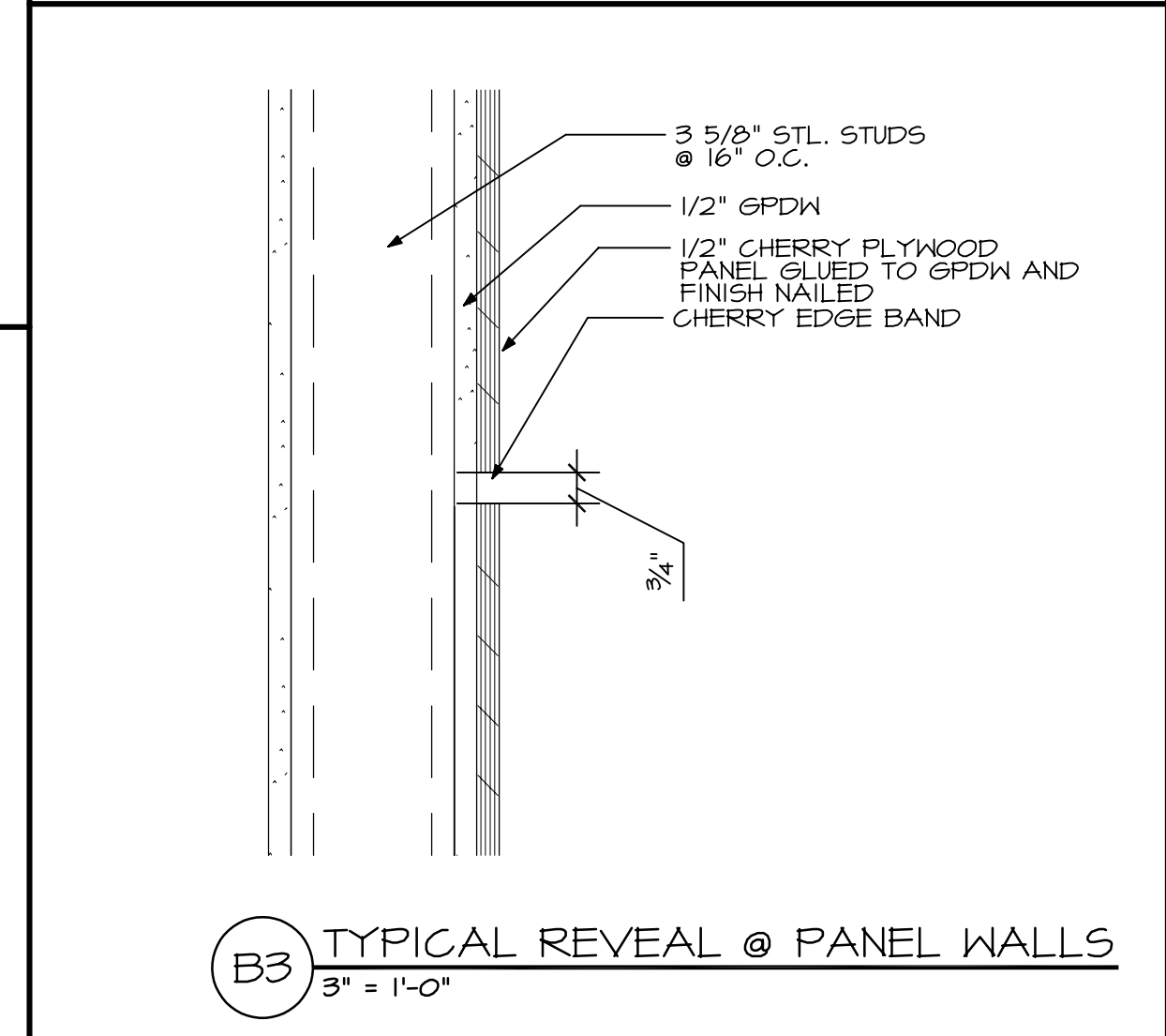
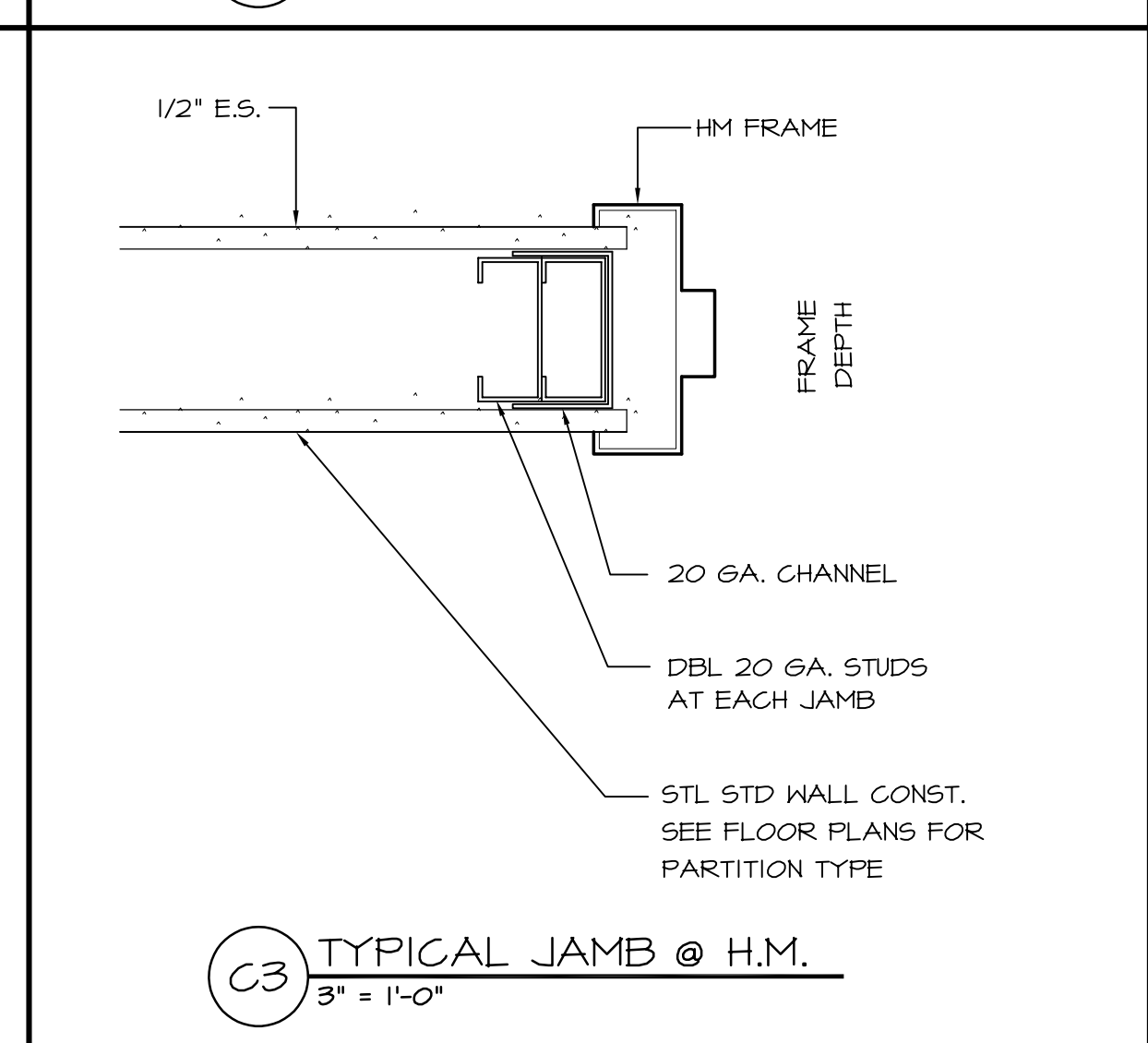
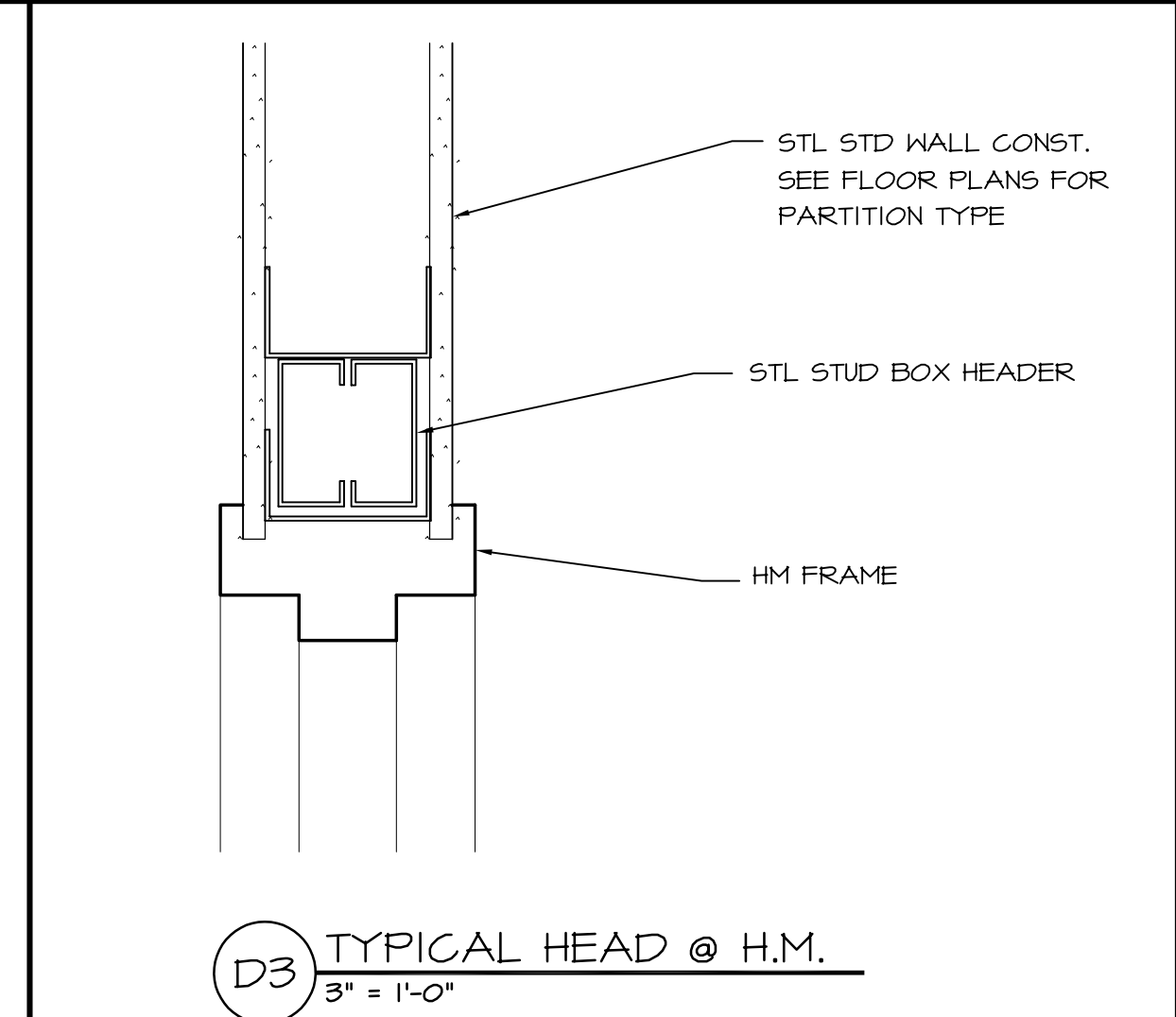
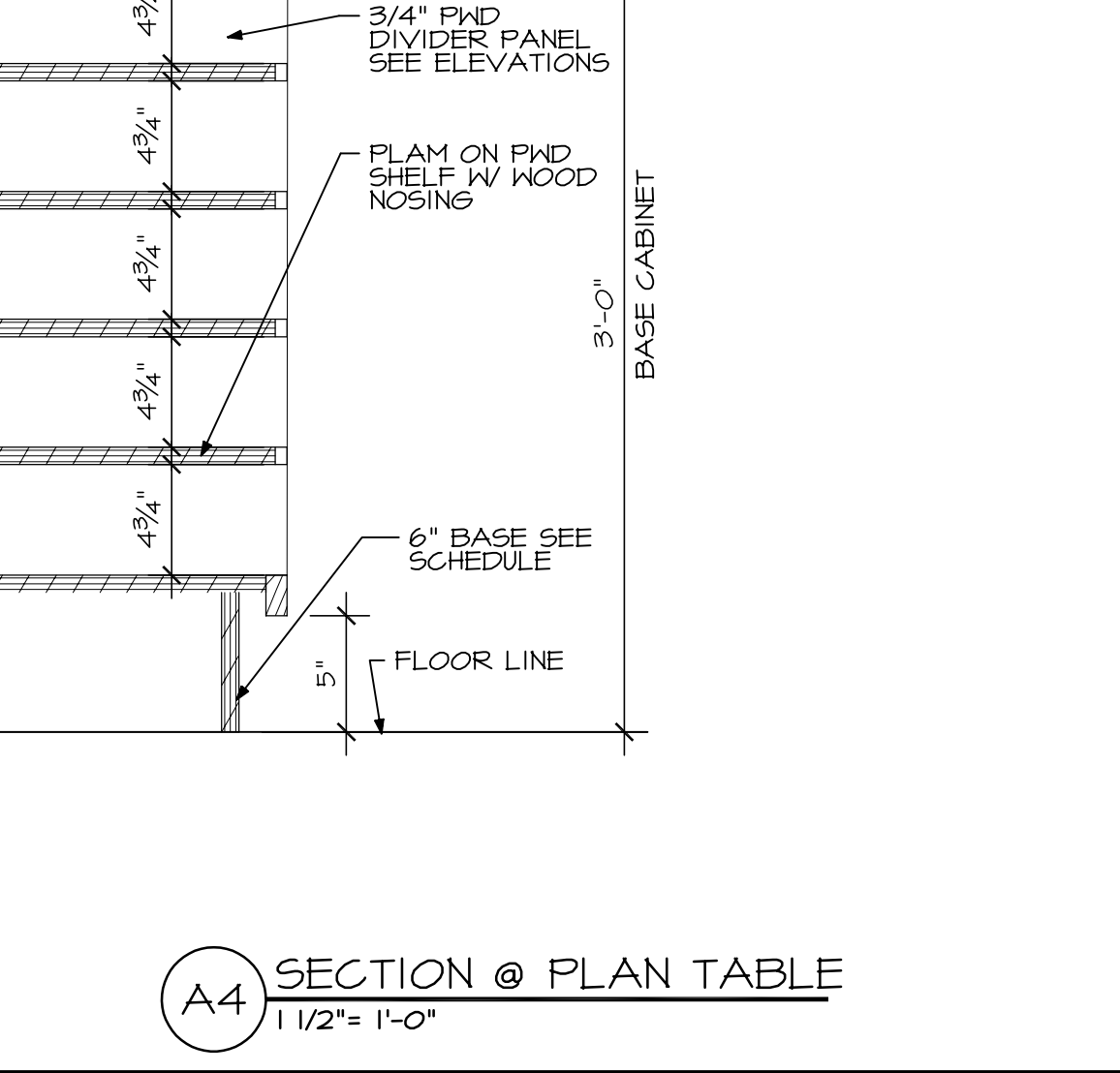
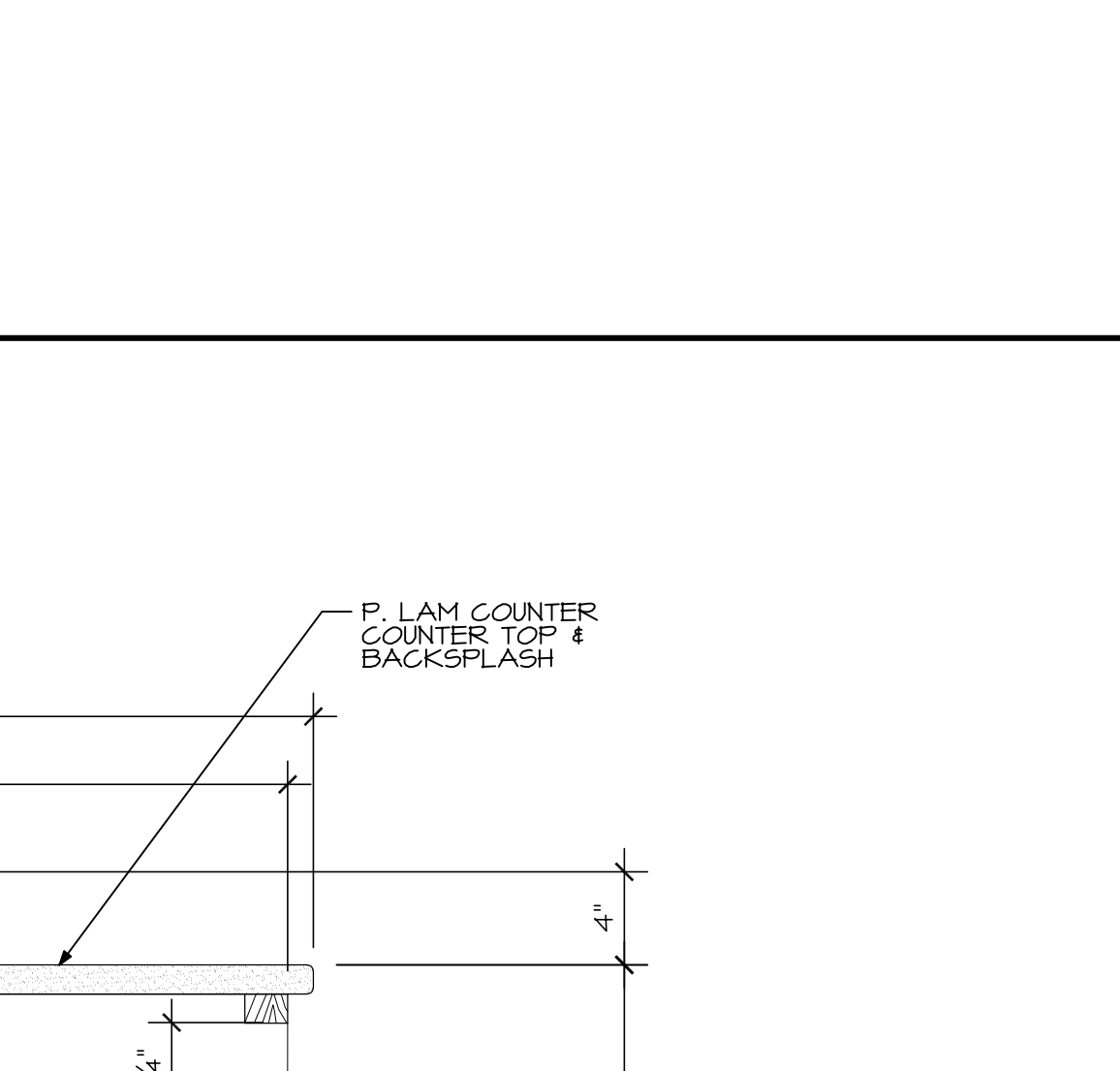
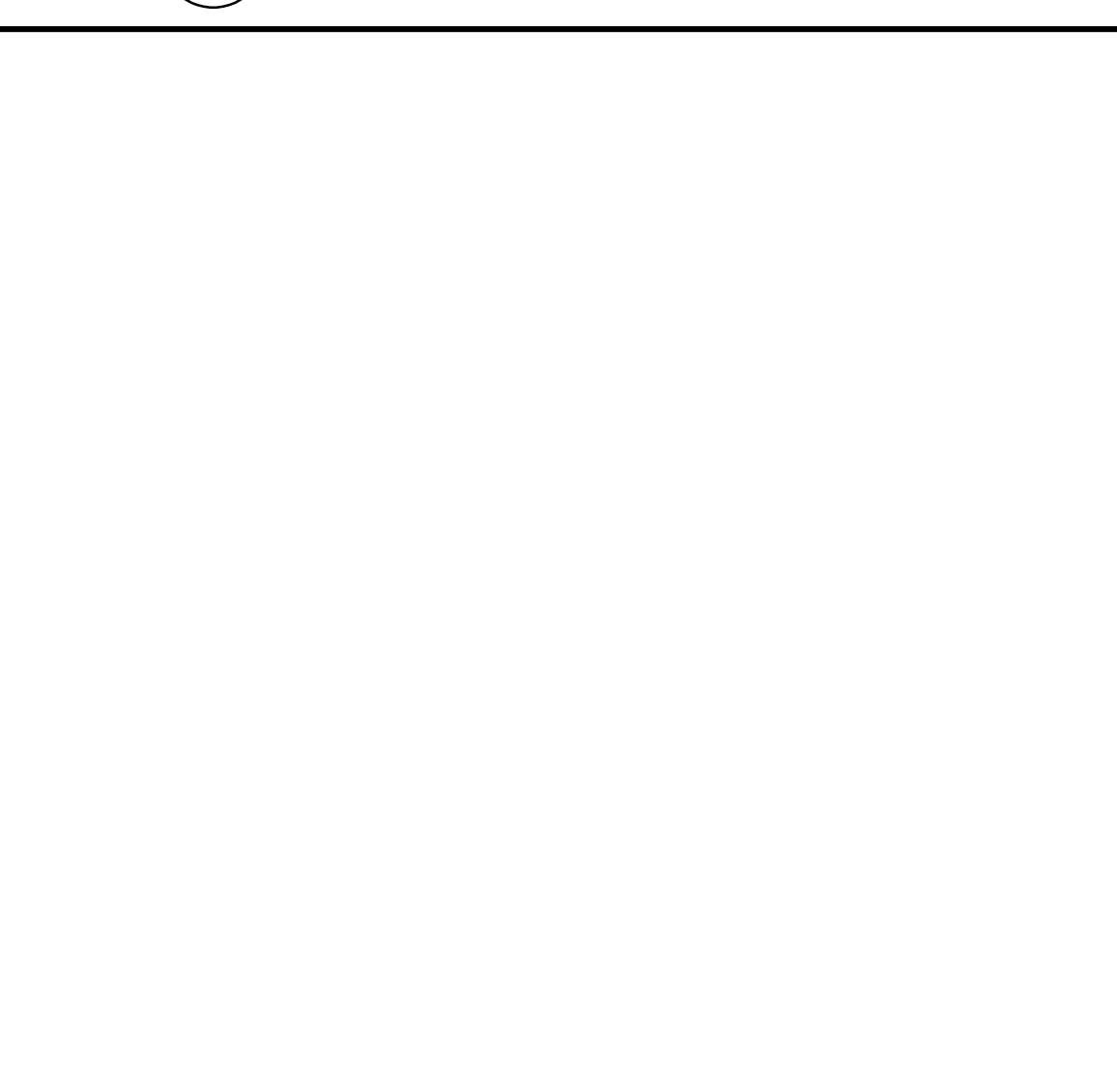
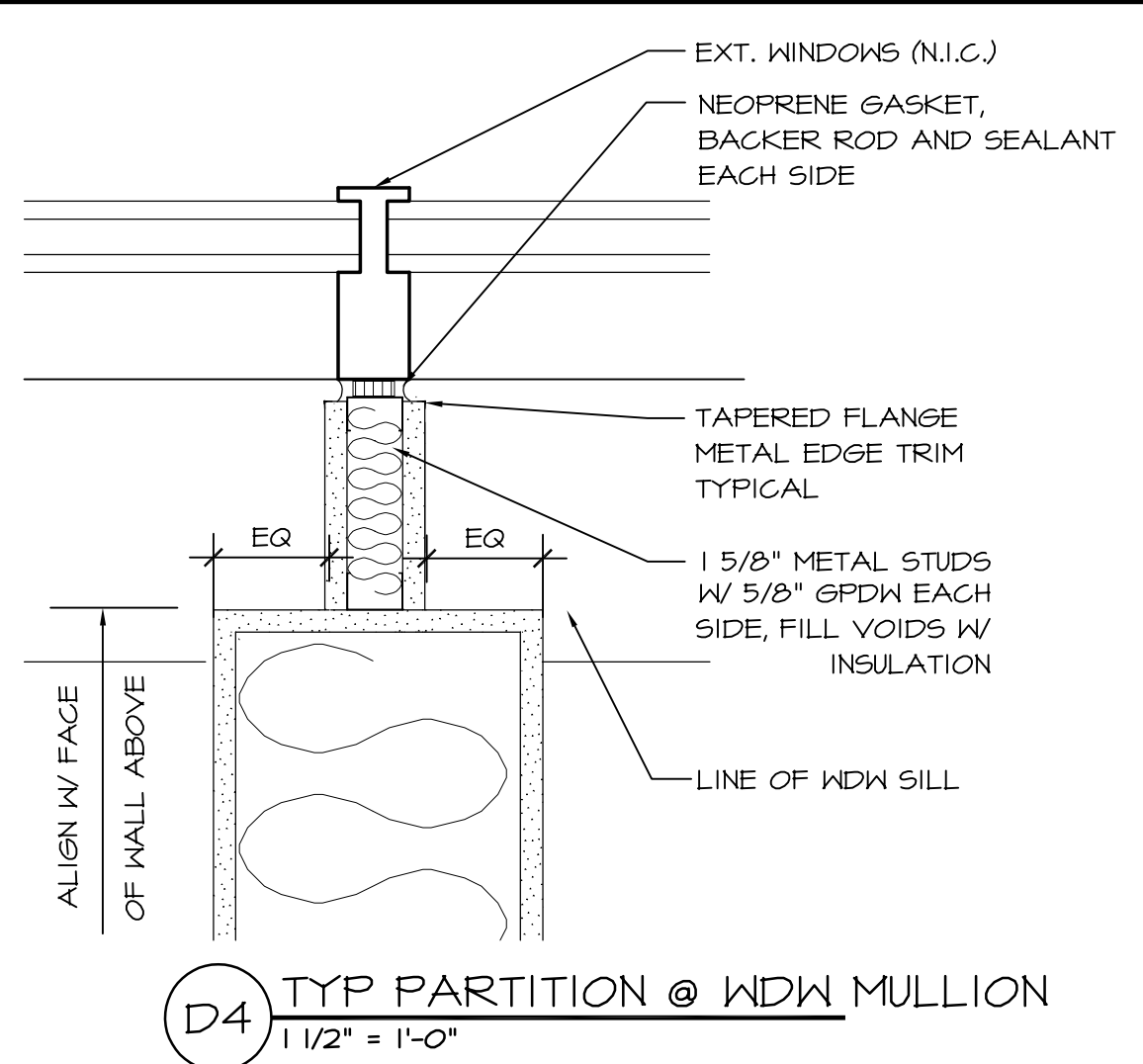
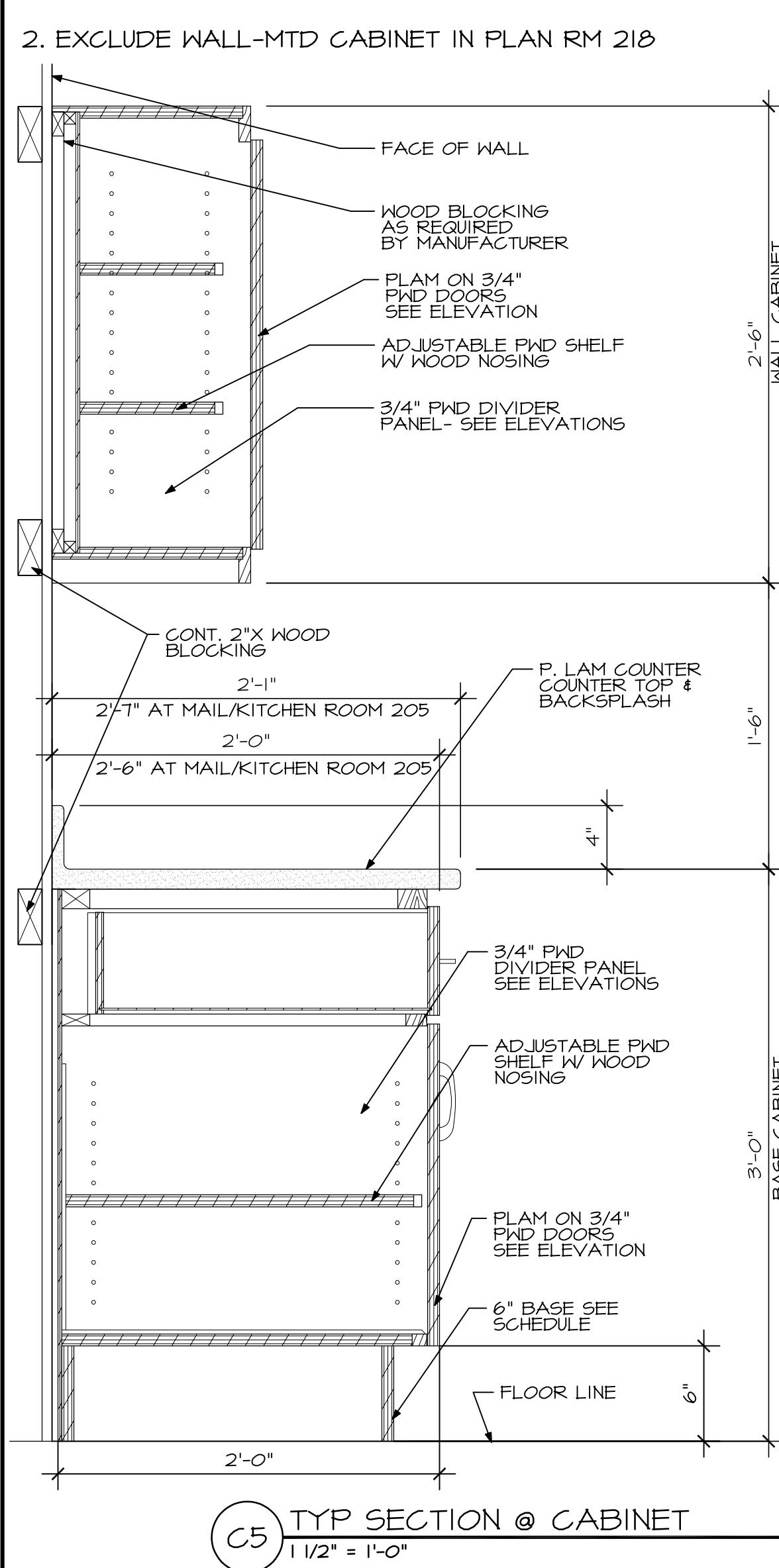
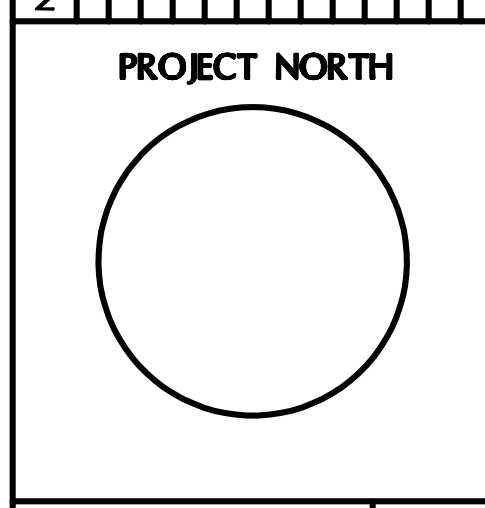


NOTES:
 1. APPROVED SHOP DRAWINGS REQUIRED FOR ALL MILLWORK
 2. EXCLUDE WALL-MTD CABINET IN PLAN RM 218



NO	DATE	REVISIONS
1	16/07/04	ISSUED FOR PRICING



OLYMPIA EQUITY INVESTORS
 280 FORE STREET
 SECOND FLOOR

TITLE: DETAILS
 SCALE: AS NOTED

Cubellis Associates Inc.
 Architecture Interiors Engineering
 490 Essex Street, 2nd Fl.
 Portland, ME 04103
 Tel: 207-474-2777
 Fax: 207-474-2775
 www.cubellis.com

DATE: JUNE 04, 2004
 DRAWN BY: JMH
 CHECKED BY: GDN
 OWNER: AS NOTED
 A701
 03312PT

E:\Olympia Equity Investors\280 Fore Street\03312c\A701.dwg Jun 07, 2004 - 11:26am

COPYRIGHT (C) BY CUBELLIS ASSOCIATES, INC. ALL RIGHTS RESERVED. NO PART OF THIS DOCUMENT MAY BE REPRODUCED, STORED IN A RETRIEVAL SYSTEM, OR TRANSMITTED IN ANY FORM OR BY ANY MEANS, ELECTRONIC, MECHANICAL, PHOTOCOPYING, RECORDING, OR BY ANY INFORMATION STORAGE AND RETRIEVAL SYSTEM, WITHOUT THE EXPRESS WRITTEN PERMISSION OF CUBELLIS ASSOCIATES, INC. ANY UNAUTHORIZED REPRODUCTION OR TRANSMISSION OF THIS DOCUMENT WITHOUT THE WRITTEN PERMISSION OF CUBELLIS ASSOCIATES, INC. IS STRICTLY PROHIBITED AND UNLAWFUL.