

NTS

ELECTRICAL DISTRIBUTION RISER DIAGRAM

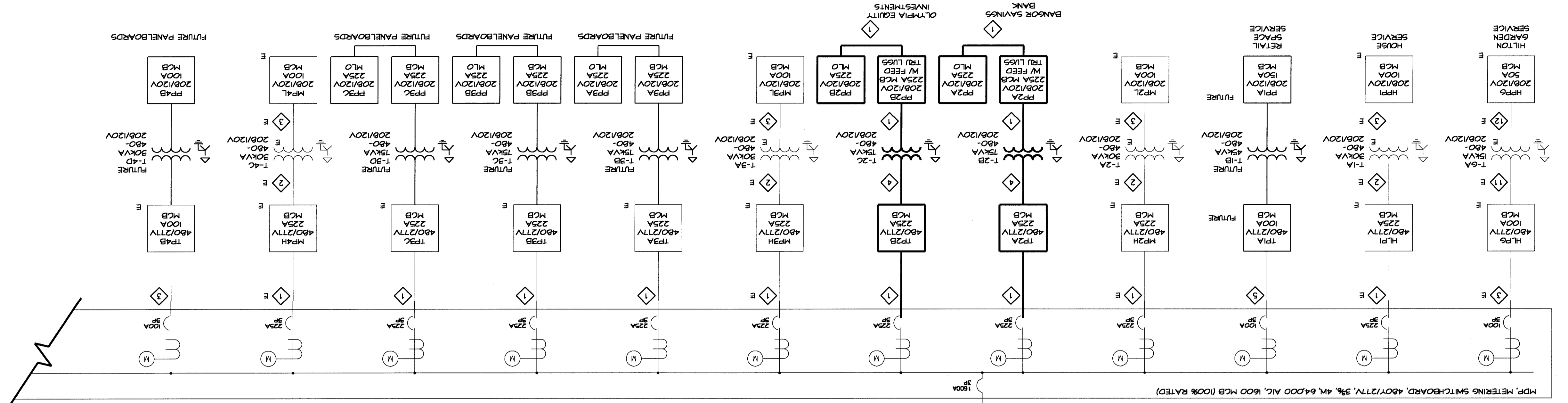
PROJECT No. 2747.69	DATE: --
WBRG CAD #274769-E-501	SCALE: NTS
A/E OF RECORD: RLR	GRAPHIC SCALE: 0"
JOB CDP/DRAWN: PEB	DATE: --
PROJECT MANAGER: MLC	
SHEET No. E-501	

**BANGOR SAVINGS BANK**  
 FORE STREET  
 PORTLAND, MAINE

**WBRC ARCHITECTS • ENGINEERS**  
 44 Central Street  
 Bangor, Maine 04401  
 tel. (207) 947.4511  
 fax (207) 947.4528

ISSUED FOR CONSTRUCTION  
 06-11-04  
 CURRENT ISSUE STATUS:

REV.	DESCRIPTION	DATE
0		

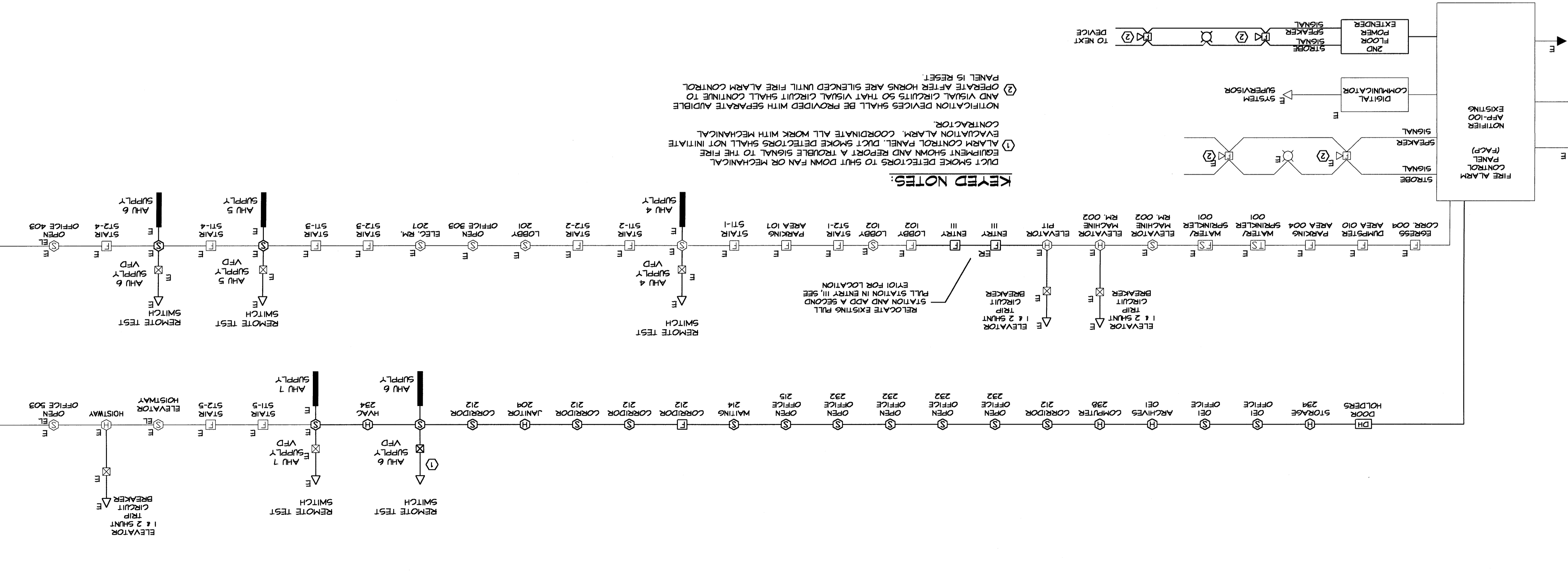


**CABLE SCHEDULE:**

1	4#4/0 AWG & #4 GND, 2-1/2" C
2	3#8 AWG & #10 GND, 3/4" C
3	4#2 AWG & #8 GND, 1-1/2" C
4	3#2 AWG & #8 GND, 1-1/2" C

NTS

FIRE ALARM RISER DIAGRAM



**KEYED NOTES:**

- EQUIPMENT SHOWN AND REPORT A TROUBLE SIGNAL TO THE FIRE ALARM CONTROL PANEL. DUCT SMOKE DETECTORS SHALL NOT INITIATE EVACUATION ALARM. COORDINATE ALL WORK WITH MECHANICAL CONTRACTOR.
- NOTIFICATION DEVICES SHALL BE PROVIDED WITH SEPARATE AUDIBLE AND VISUAL CIRCUITS SO THAT VISUAL SIGNAL SHALL CONTINUE TO OPERATE AFTER HORNS ARE SILENCED UNTIL FIRE ALARM CONTROL PANEL IS RESET.
- STROBE SIGNAL TO NEXT DEVICE

RELAYATE EXISTING FULL STATION AND ADD A SECOND TRIP BREAKER IN ENTRY III, SEE E7101 FOR LOCATION