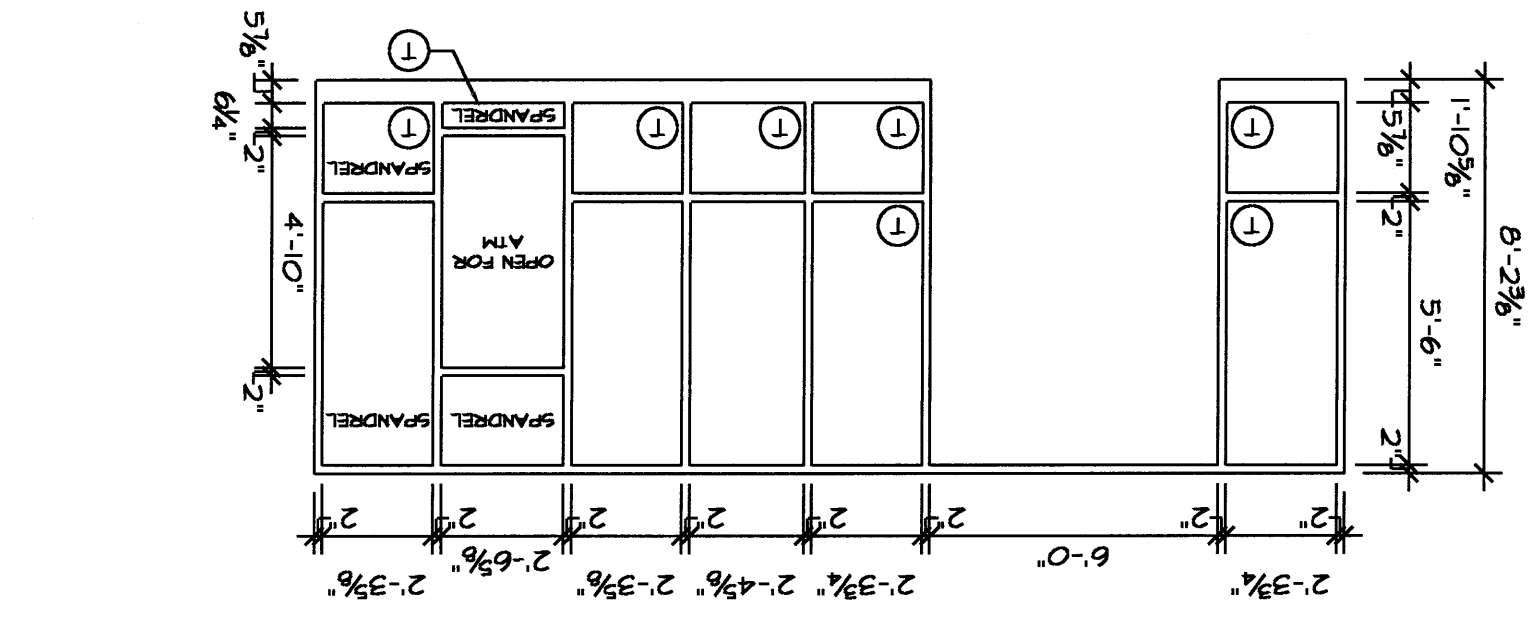


1/4" = 1'-0"

D1

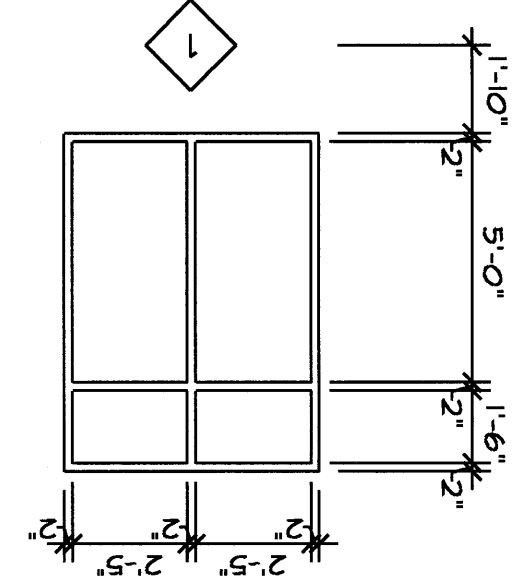
WINDOW TYPES



1/4" = 1'-0"

D7

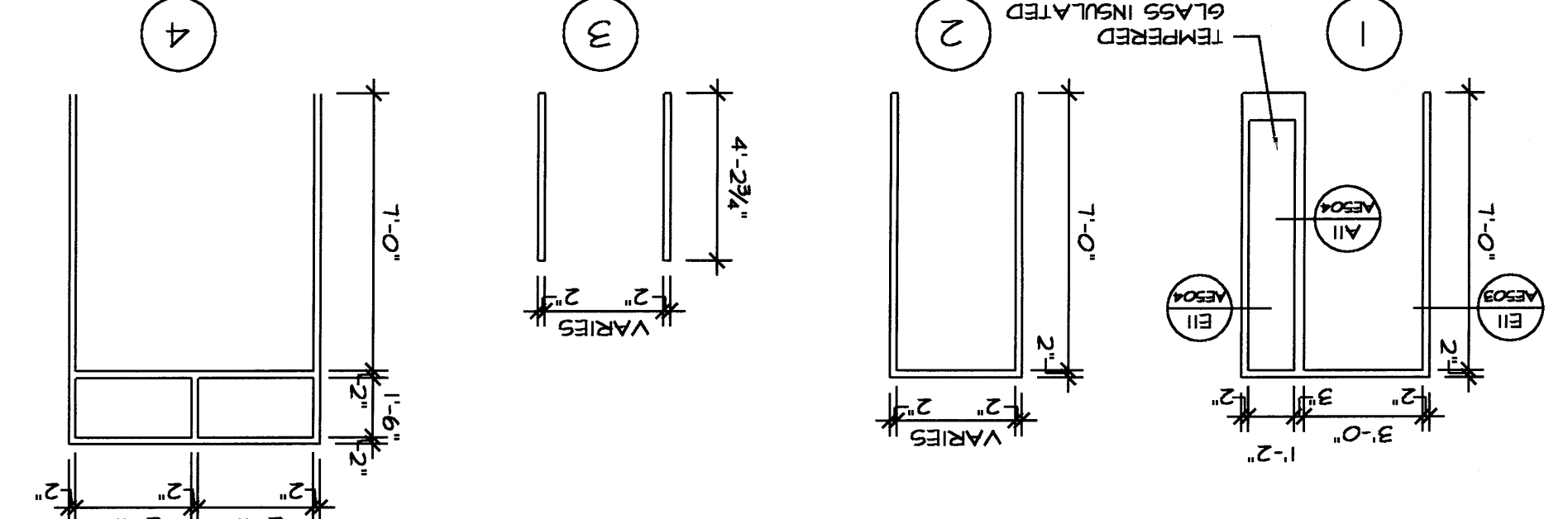
DOOR TYPES



1/4" = 1'-0"

A7

FRAME TYPES



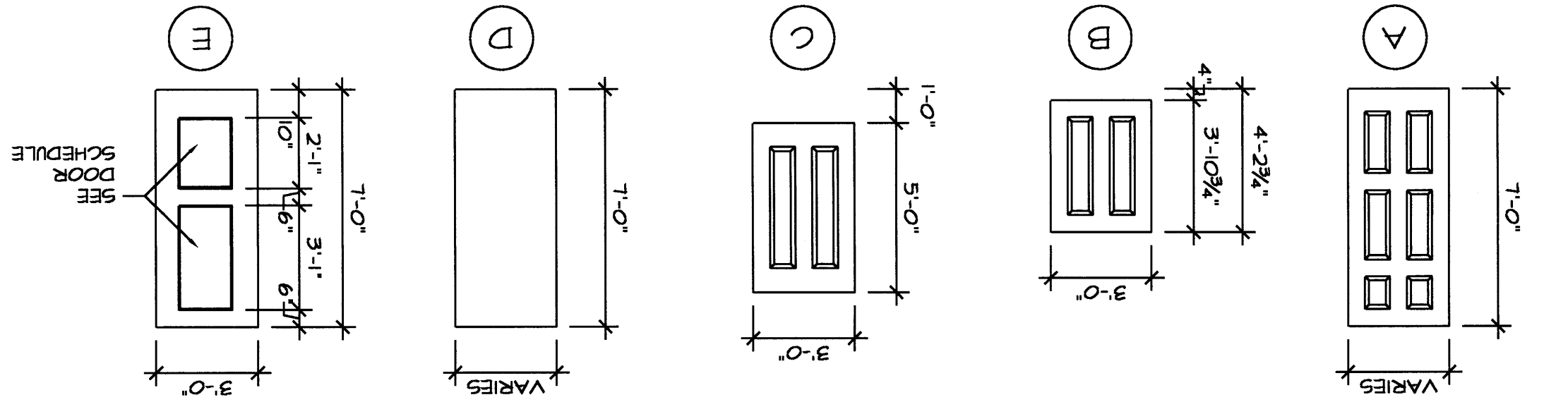
D1

DOOR SCHEDULE

NTS

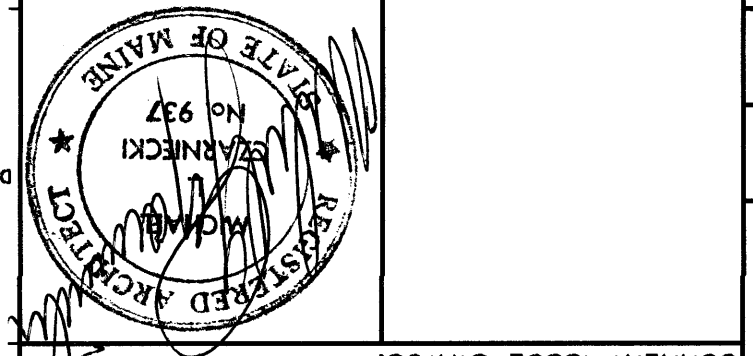
67

DOOR TYPES



| NO | LOCATION | SIZE | TYP | MAT | FIN | TYP | MAT | FIN | HD | JM | SL | GL | RATING | REMARKS |
|------|-----------------|----------------------------|-----|-----|-----|-----|-----|------|----|----|-----|----|--------|---------|
| 101 | CONFERENCE 101 | 3'-0" x 1'-0" x 1 1/2" | A | MD | 54V | 1 | MD | 54V | 1 | MD | 54V | | | |
| 102 | OFFICE 102 | 3'-0" x 1'-0" x 1 1/2" | A | MD | 54V | 1 | MD | 54V | 1 | MD | 54V | | | |
| 106A | TELLER 106 | 3'-0" x 3'-6" x 1 1/2" | B | MD | 54V | 3 | MD | 54V | 3 | MD | 54V | | | |
| 106B | TELLER 106 | 3'-0" x 3'-6" x 1 1/2" | B | MD | 54V | 3 | MD | 54V | 3 | MD | 54V | | | |
| 107 | TOILET 107 | 3'-0" x 1'-0" x 1 1/2" | D | MD | 54V | 2 | MD | 54V | 2 | MD | 54V | | | |
| 107 | TOILET 107 | 3'-0" x 1'-0" x 1 1/2" | D | MD | 54V | 2 | MD | 54V | 2 | MD | 54V | | | |
| 108 | COAT 108 | (2) 1'-1" x 1'-0" x 1 1/2" | D | MD | 54V | 2 | MD | 54V | 2 | MD | 54V | | | |
| 109 | COUPON 109 | 3'-0" x 6'-0" x 1 1/2" | C | MD | 54V | 2 | MD | 54V | 2 | MD | 54V | | | |
| 110 | VAULT 110 | 3'-0" x 1'-0" x 1 1/2" | D | MD | 54V | 2 | MD | 54V | 2 | MD | 54V | | | |
| 111A | ENTRY 111 | 3'-0" x 1'-0" x 1 1/2" | A | MD | 54V | 2 | MD | 54V | 2 | MD | 54V | | | |
| 111B | ENTRY 111 | 3'-0" x 3'-6" x 1 1/2" | B | MD | 54V | 3 | MD | 54V | 3 | MD | 54V | | | |
| 201 | CORRIDOR 201 | (2) 3'-0" x 1'-0" x 1 1/2" | E | MD | 54V | 2 | HM | PNTD | | MD | 54V | | | |
| 214 | MATTING 214 | (2) 3'-0" x 1'-0" x 1 1/2" | E | MD | 54V | 2 | HM | PNTD | | MD | 54V | | | |
| 216 | OFFICE 216 | 3'-0" x 1'-0" x 1 1/2" | A | MD | 54V | 1 | MD | 54V | 1 | MD | 54V | | | |
| 217 | CONF. 217 | 3'-0" x 1'-0" x 1 1/2" | A | MD | 54V | 1 | MD | 54V | 1 | MD | 54V | | | |
| 218 | OFFICE 218 | 3'-0" x 1'-0" x 1 1/2" | A | MD | 54V | 1 | MD | 54V | 1 | MD | 54V | | | |
| 219 | OFFICE 219 | 3'-0" x 1'-0" x 1 1/2" | A | MD | 54V | 1 | MD | 54V | 1 | MD | 54V | | | |
| 220 | OFFICE 220 | 3'-0" x 1'-0" x 1 1/2" | A | MD | 54V | 1 | MD | 54V | 1 | MD | 54V | | | |
| 221 | OFFICE 221 | 3'-0" x 1'-0" x 1 1/2" | A | MD | 54V | 1 | MD | 54V | 1 | MD | 54V | | | |
| 222 | OFFICE 222 | 3'-0" x 1'-0" x 1 1/2" | A | MD | 54V | 1 | MD | 54V | 1 | MD | 54V | | | |
| 223 | CONF. 223 | 3'-0" x 1'-0" x 1 1/2" | A | MD | 54V | 1 | MD | 54V | 1 | MD | 54V | | | |
| 224 | OFFICE 224 | 3'-0" x 1'-0" x 1 1/2" | A | MD | 54V | 2 | MD | 54V | 2 | MD | 54V | | | |
| 225 | OFFICE 225 | 3'-0" x 1'-0" x 1 1/2" | A | MD | 54V | 2 | MD | 54V | 2 | MD | 54V | | | |
| 226 | OFFICE 226 | 3'-0" x 1'-0" x 1 1/2" | A | MD | 54V | 1 | MD | 54V | 1 | MD | 54V | | | |
| 227 | OFFICE 227 | 3'-0" x 1'-0" x 1 1/2" | A | MD | 54V | 1 | MD | 54V | 1 | MD | 54V | | | |
| 228 | OFFICE 228 | 3'-0" x 1'-0" x 1 1/2" | A | MD | 54V | 1 | MD | 54V | 1 | MD | 54V | | | |
| 229 | OFFICE 229 | 3'-0" x 1'-0" x 1 1/2" | A | MD | 54V | 1 | MD | 54V | 1 | MD | 54V | | | |
| 230 | OFFICE 230 | 3'-0" x 1'-0" x 1 1/2" | A | MD | 54V | 1 | MD | 54V | 1 | MD | 54V | | | |
| 231 | OFFICE 231 | 3'-0" x 1'-0" x 1 1/2" | A | MD | 54V | 1 | MD | 54V | 1 | MD | 54V | | | |
| 232 | OPEN OFFICE 232 | 3'-0" x 1'-0" x 1 1/2" | D | MD | 54V | 2 | HM | PNTD | | MD | 54V | | | |
| 234 | HVAC 234 | 3'-0" x 1'-0" x 1 1/2" | D | MD | 54V | 2 | HM | PNTD | | MD | 54V | | | |
| 235 | STORAGE 235 | 3'-0" x 1'-0" x 1 1/2" | D | MD | 54V | 2 | HM | PNTD | | MD | 54V | | | |
| 236 | CORRIDOR 236 | 3'-0" x 1'-0" x 1 1/2" | D | MD | 54V | 2 | HM | PNTD | | MD | 54V | | | |
| 237 | FILES 237 | 3'-0" x 1'-0" x 1 1/2" | D | MD | 54V | 2 | HM | PNTD | | MD | 54V | | | |
| 238 | COMPUTER 238 | 3'-0" x 1'-0" x 1 1/2" | D | MD | 54V | 2 | HM | PNTD | | MD | 54V | | | |
| 239 | STORAGE 239 | 3'-0" x 1'-0" x 1 1/2" | D | MD | 54V | 2 | HM | PNTD | | MD | 54V | | | |
| 240 | LUNCH ROOM 240 | 3'-0" x 1'-0" x 1 1/2" | D | MD | 54V | 2 | HM | PNTD | | MD | 54V | | | |

WBRC
 ARCHITECTS • ENGINEERS
 44 Central Street
 Bangor, Maine 04401
 Tel: (207) 941-4511
 Fax: (207) 941-4828



ISSUED FOR CONSTRUCTION
 06-11-04
 CURRENT ISSUE STATUS:

| REV. | DESCRIPTION | DATE |
|------|-------------|------|
| 0 | | |

AE601
 PROJECT No. 2747.69
 WORK CND #284769-AE601
 N/T OF RECORD: MLC
 JOB C/P/OWNER: JDL
 PROJECT MANAGER: MLC
 DRAWING SCALE: 1" = 1'-0"
 DATE: --
 SHEET TITLE: AS SHOWN
DOOR & WINDOW TYPES & SCHEDULES
 PROJECT: BANGOR SAVINGS BANK
 PORTLAND, MAINE
 FORE STREET

NOTES