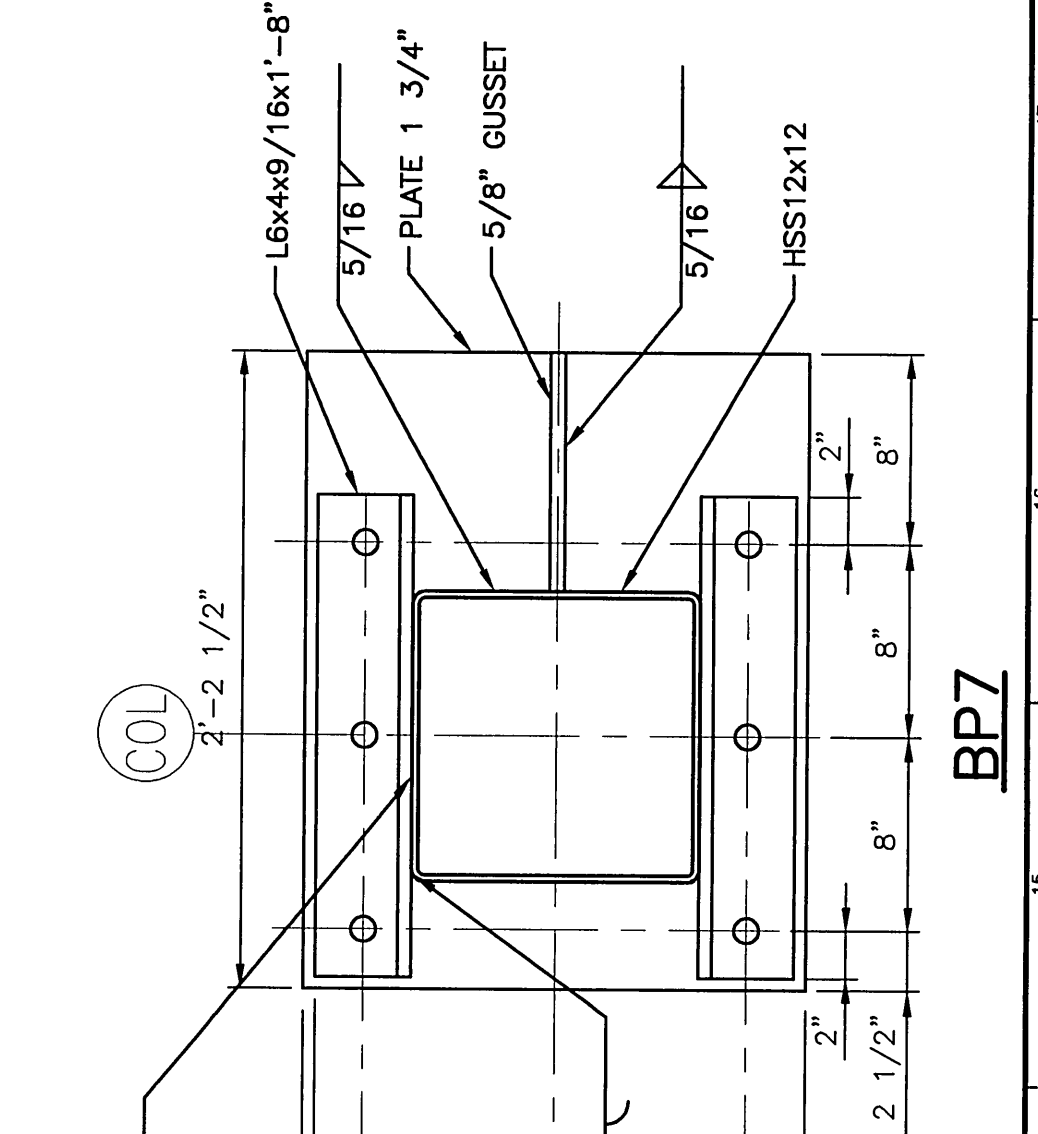
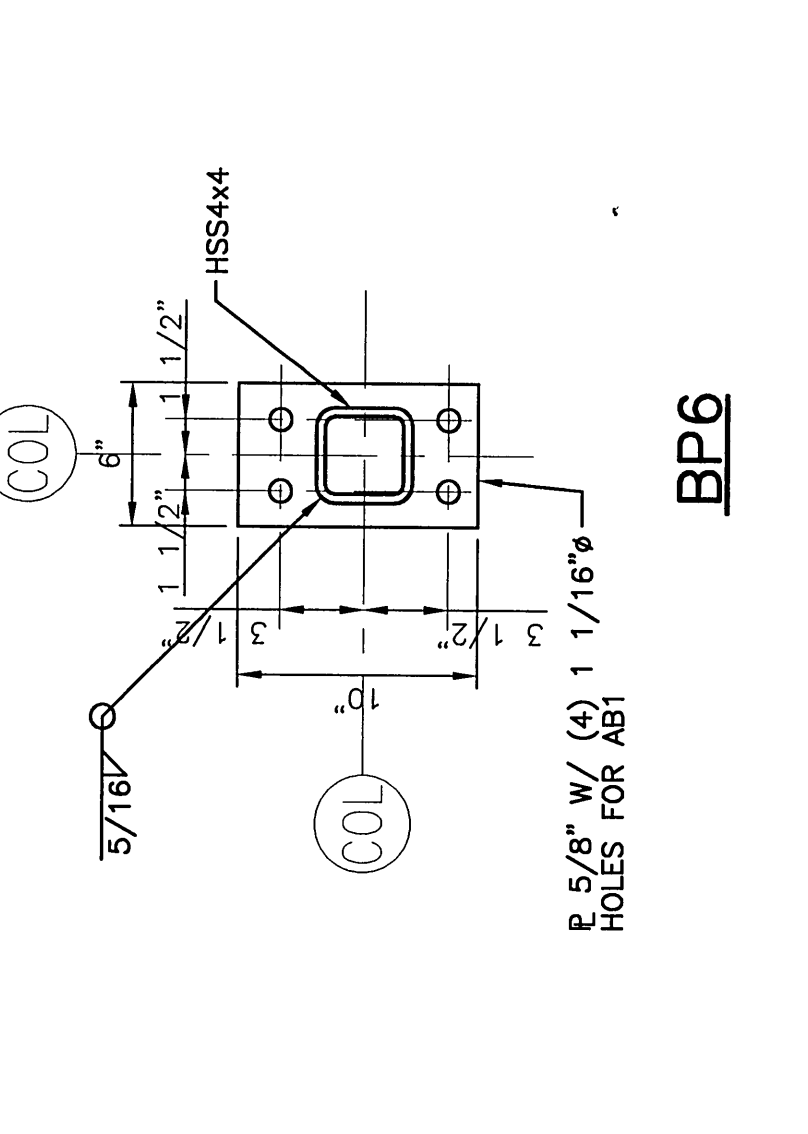
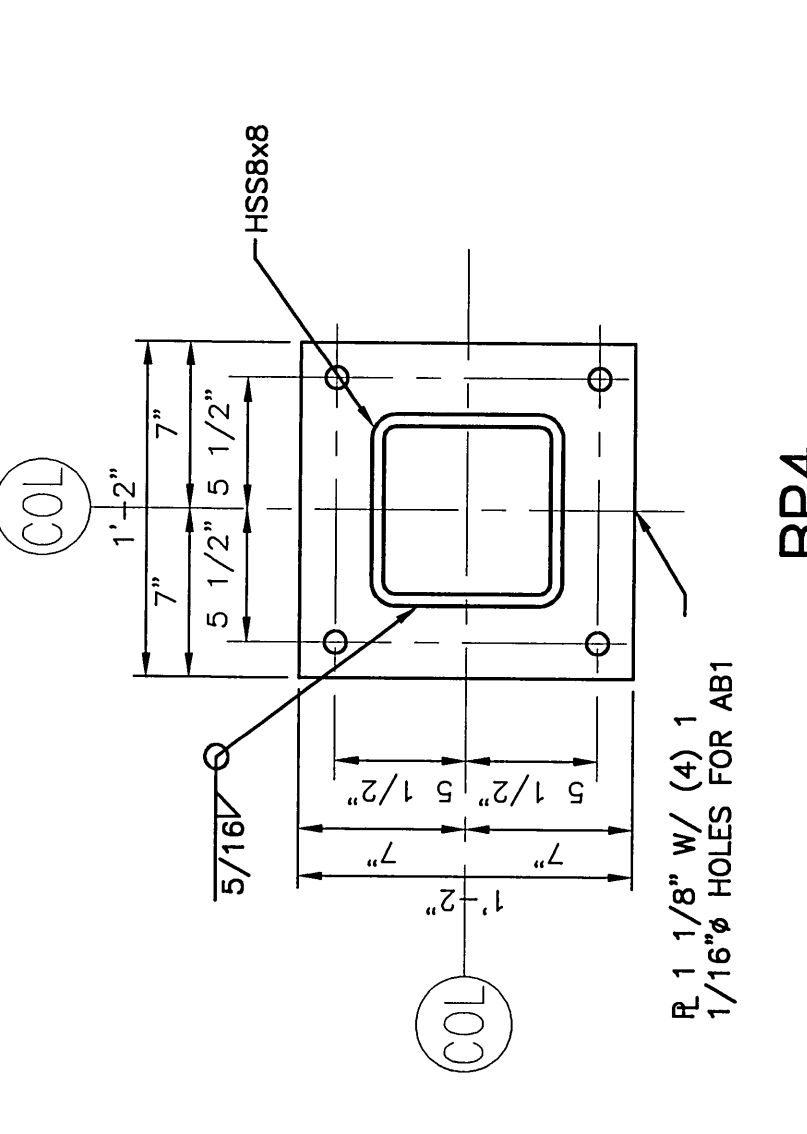
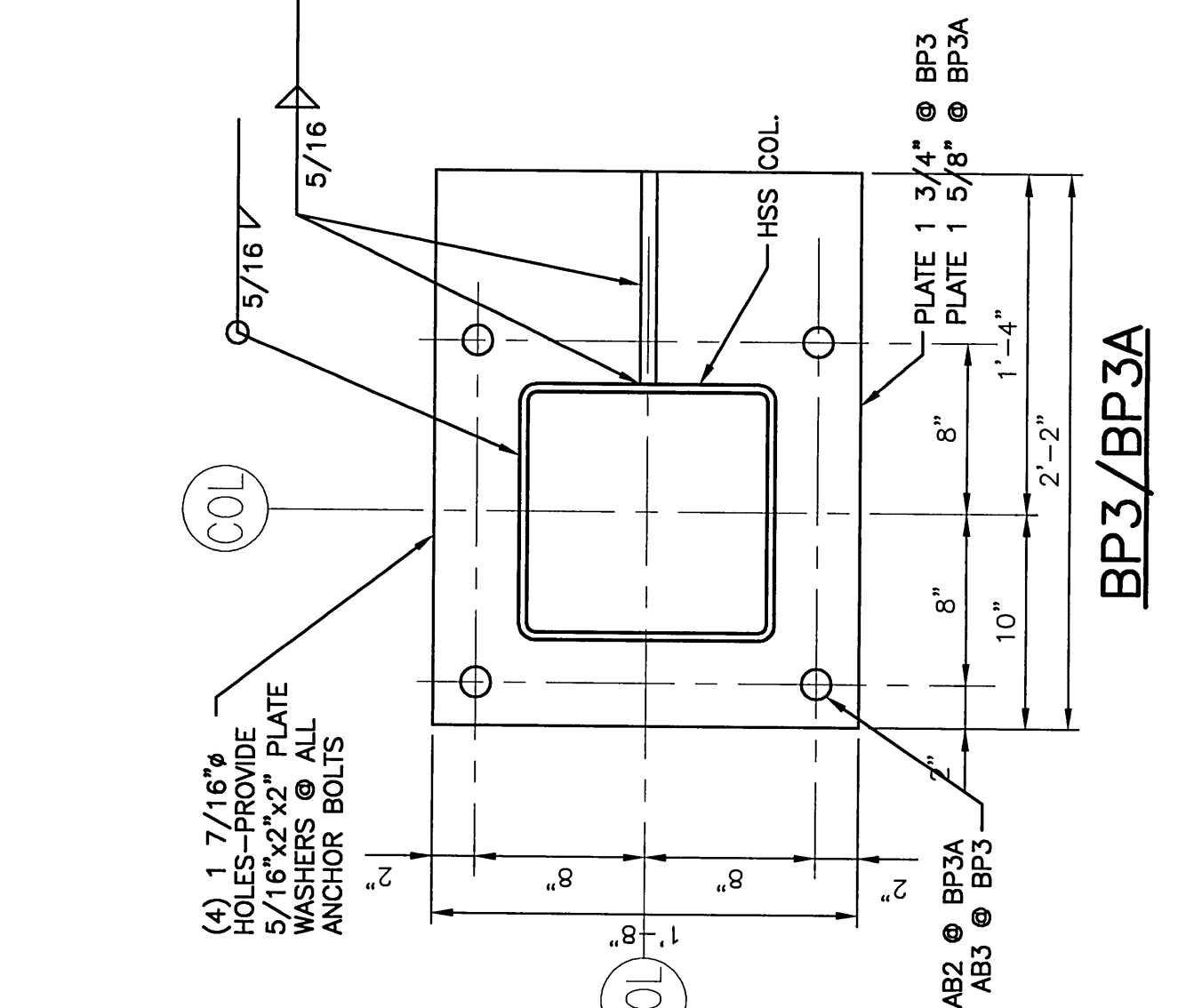
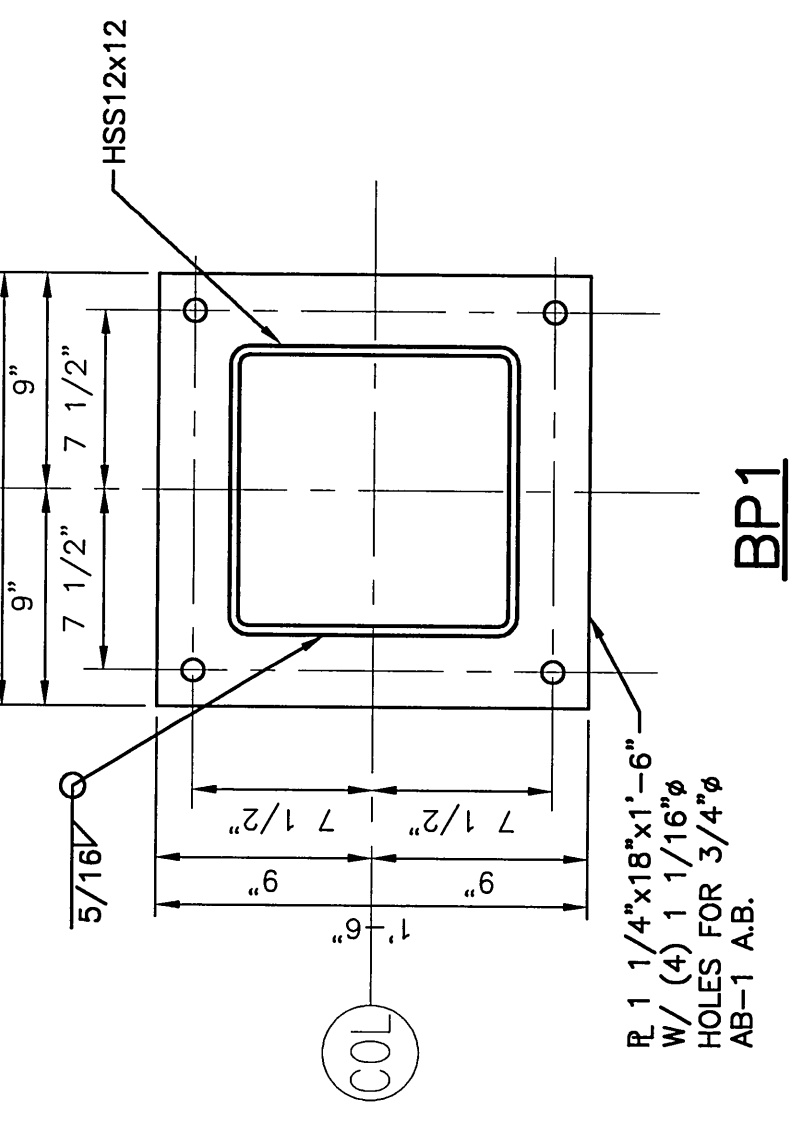
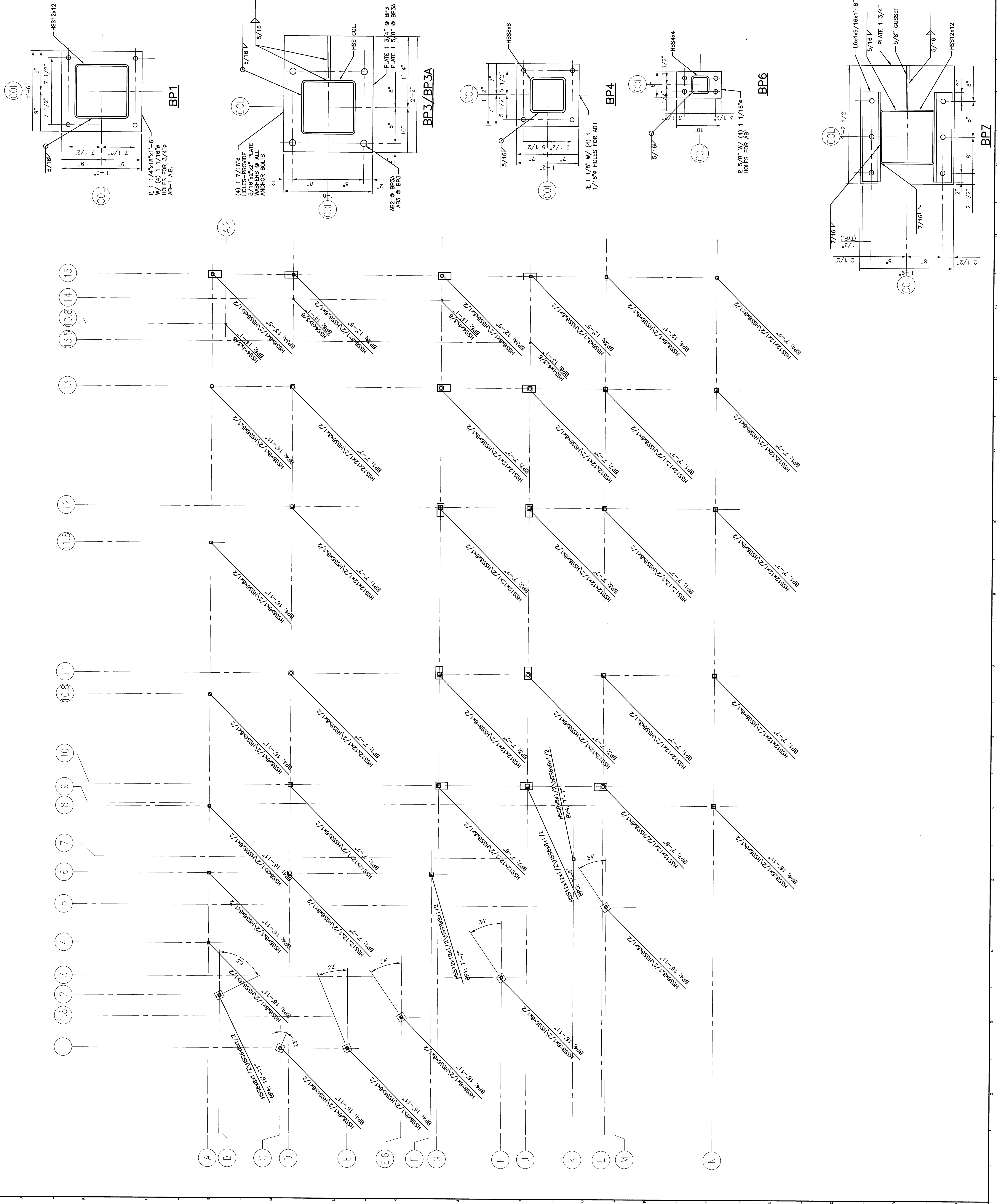
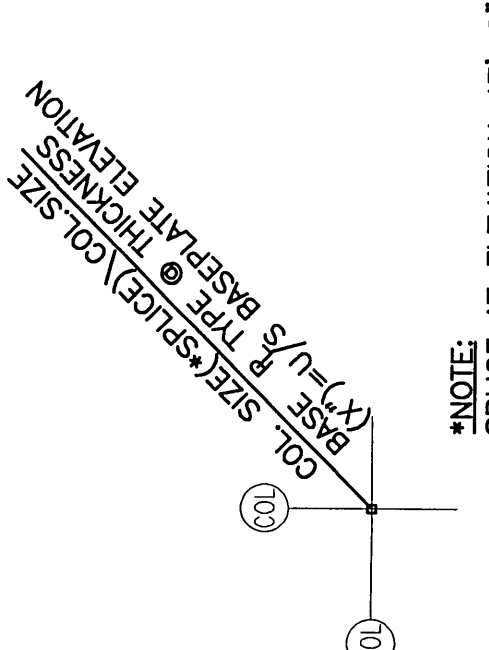


NOTE:
1. SEE S0001 FOR STRUCTURAL GENERAL NOTES.



LEGEND:



REV.	DESCRIPTION	DATE
0	ISSUED FOR CONSTRUCTION	12-15-03

ISSUED FOR CONSTRUCTION
12-15-03

CURRENT ISSUE STATUS:



SMRT
 ARCHITECTURE ENGINEERING PLANNING
 SMRT
 144 Fore Street/P.O. Box 618
 Portland, Maine 04104
 Tel. (207) 772-3846
 Fax. (207) 772-1090

FORE STREET
OFFICE BUILDING
 PORTLAND, MAINE

STRUCTURAL
COLUMN LAYOUT PLAN

SHEET TITLE:	AS NOTED	DATE:	12-15-03
SCALE:	PROJECT MANAGER:	JLL	GRAPHIC SCALE: 0"
JOB CHG./DRAWN:	RLL/JSG		
A/E OF RECORD:	JLL		
SMRT CAD FILE:	SF601-03087	SHEET No.	SF601
PROJECT No.	03087		