

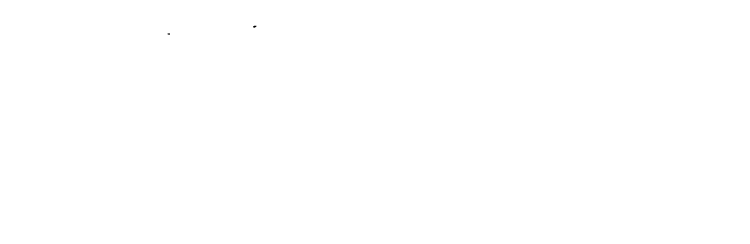
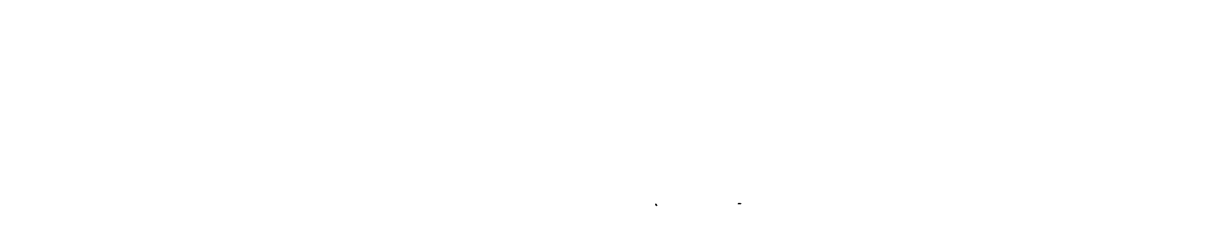
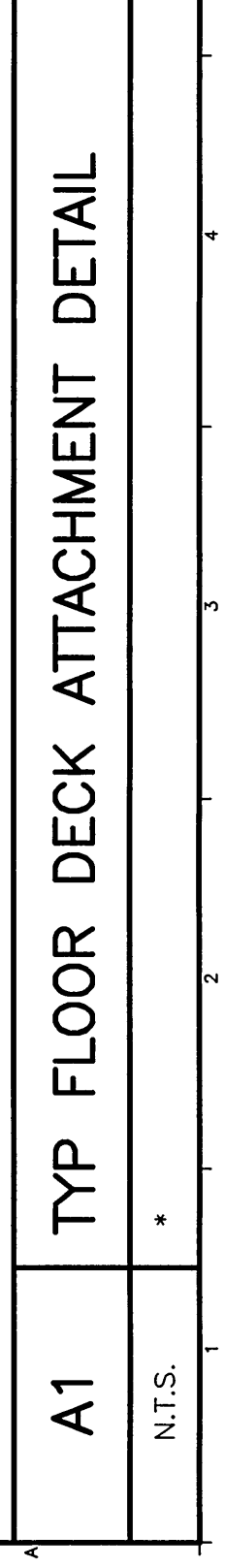
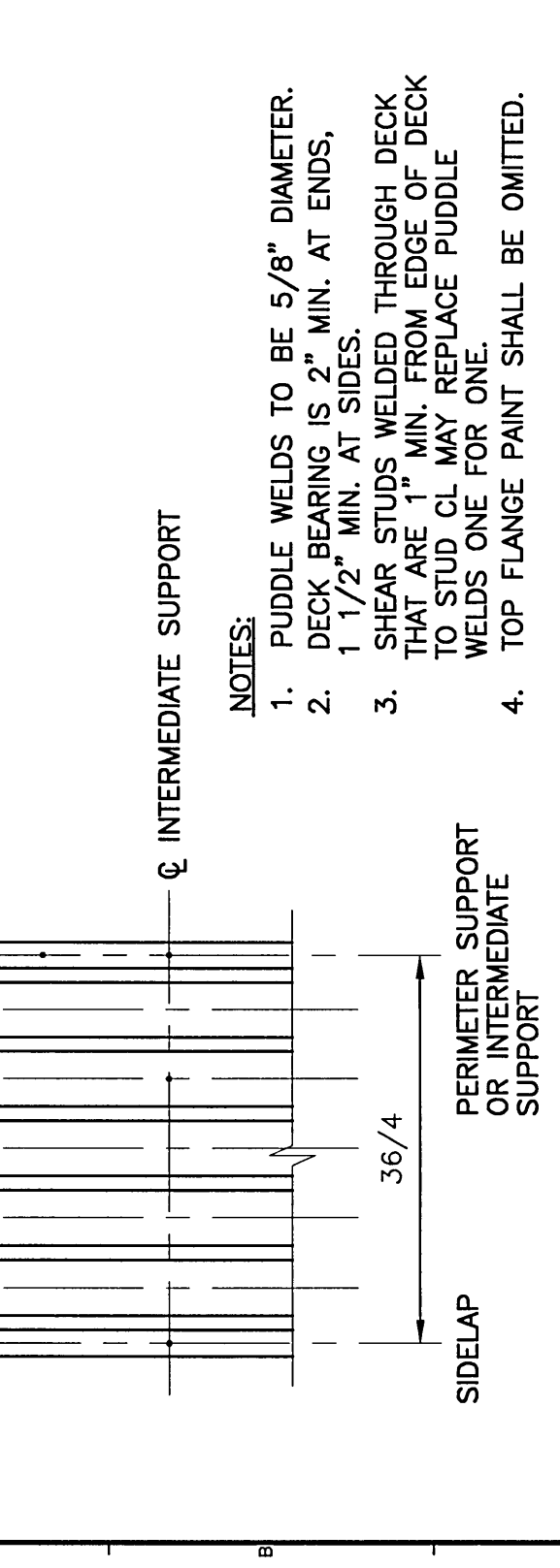
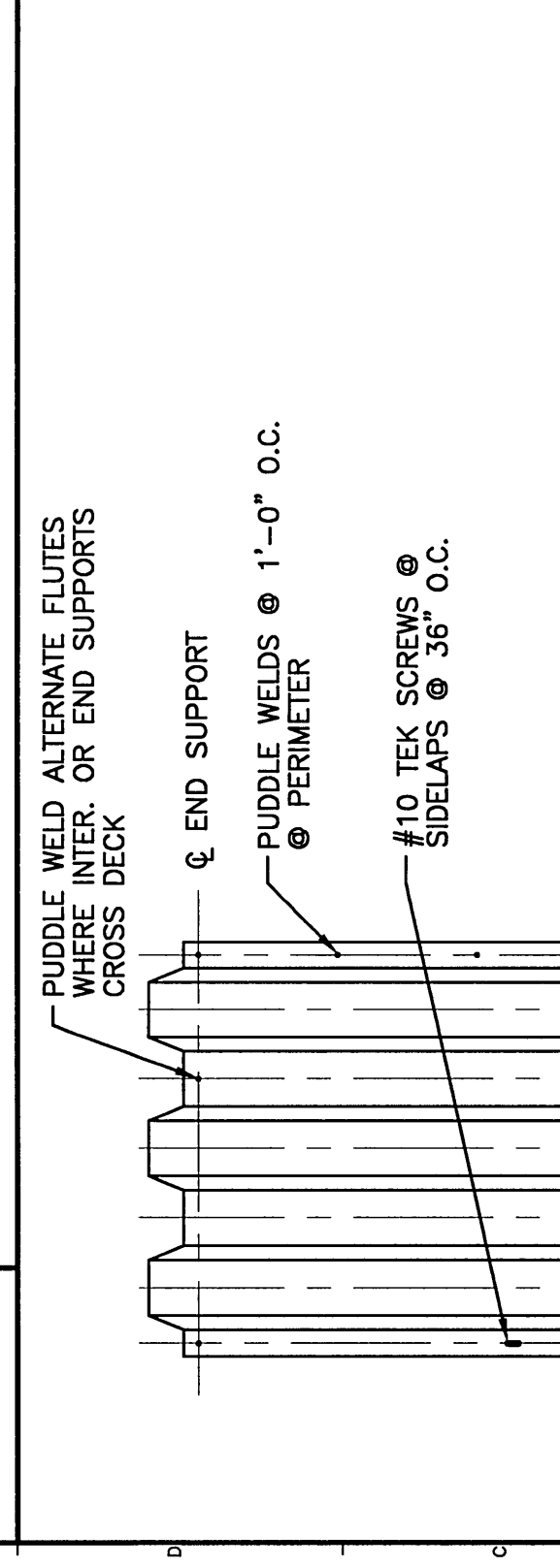
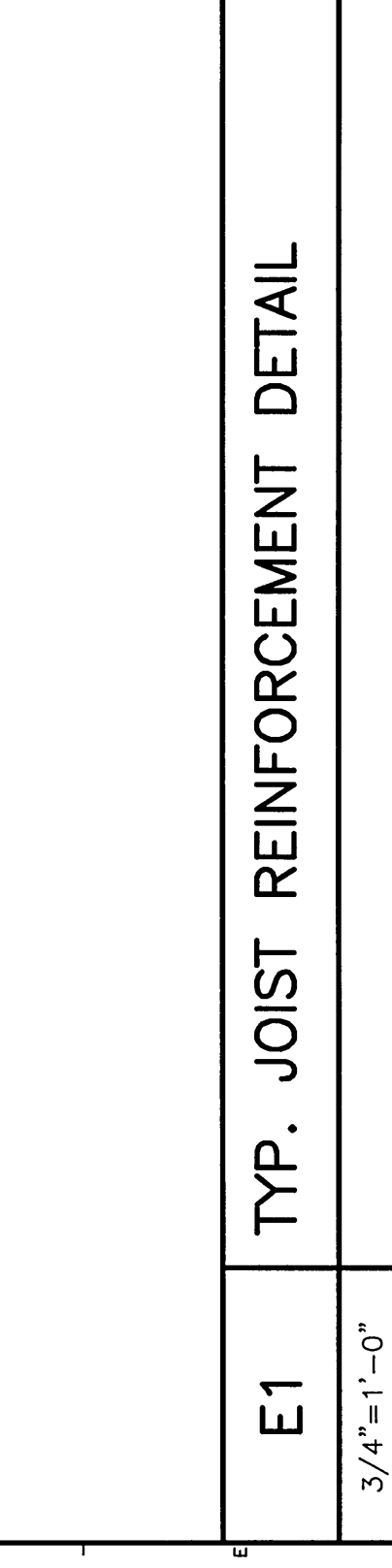
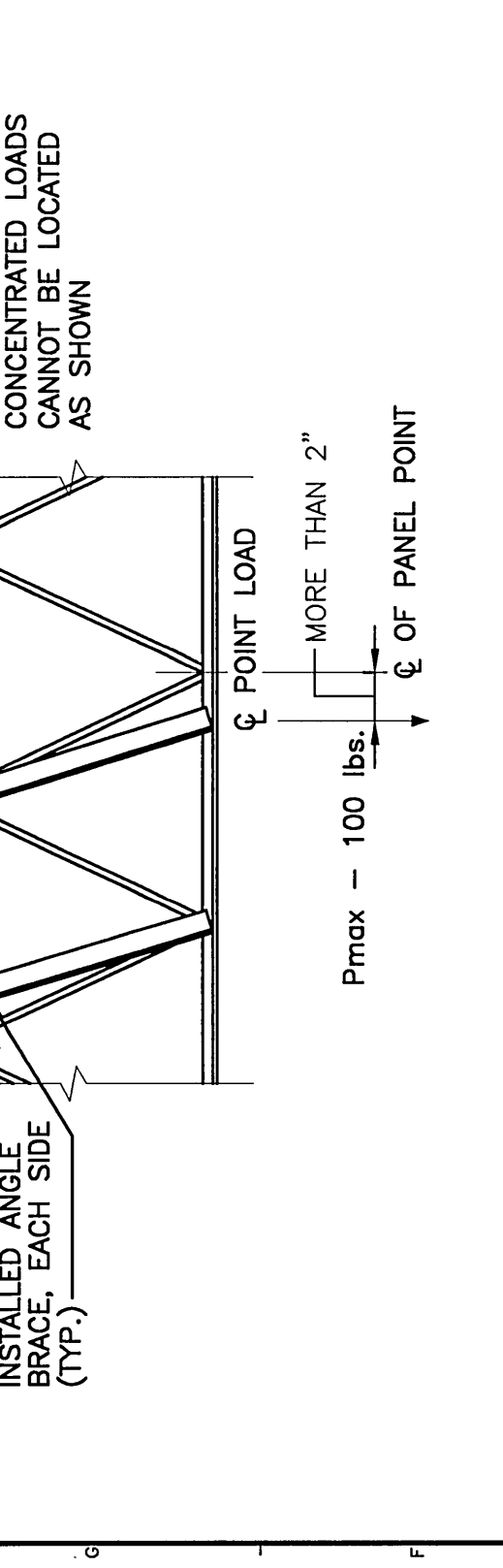
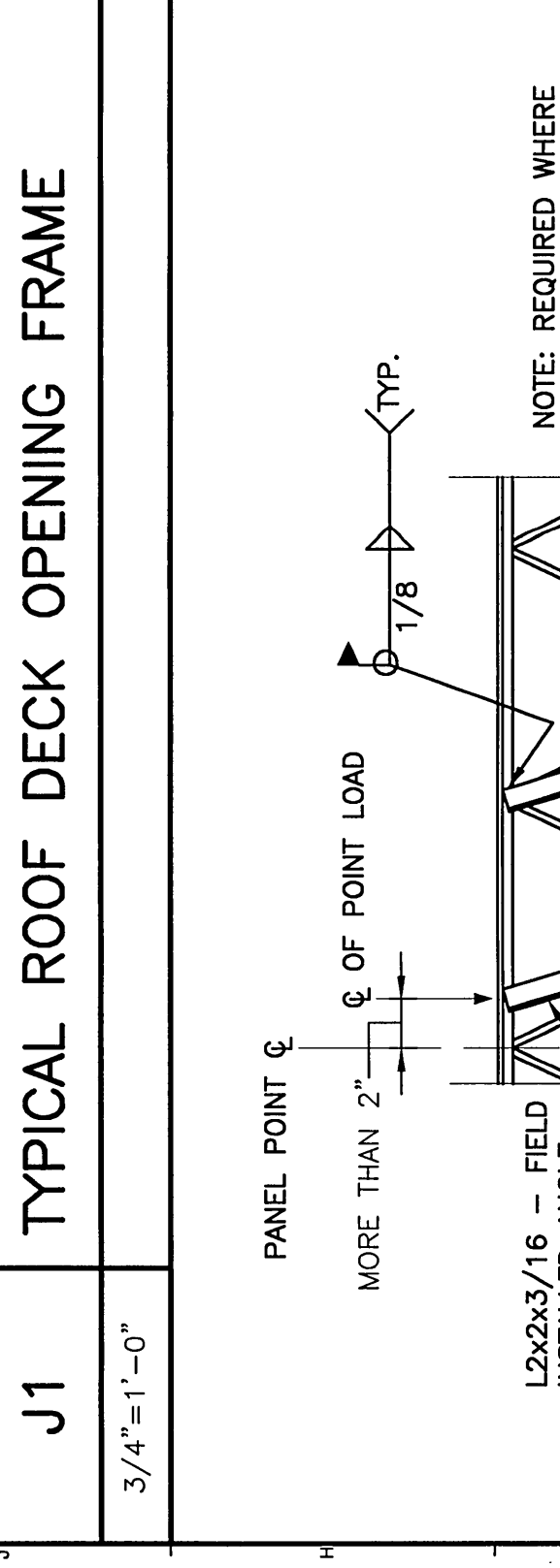
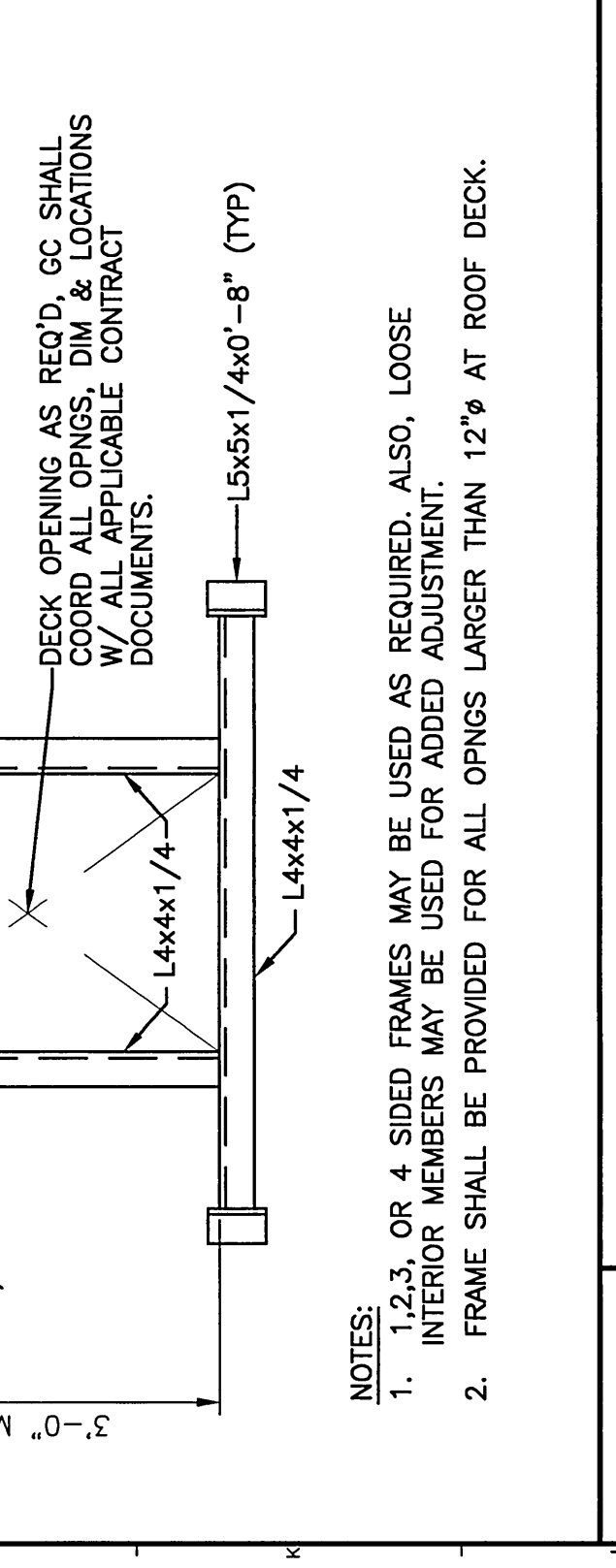
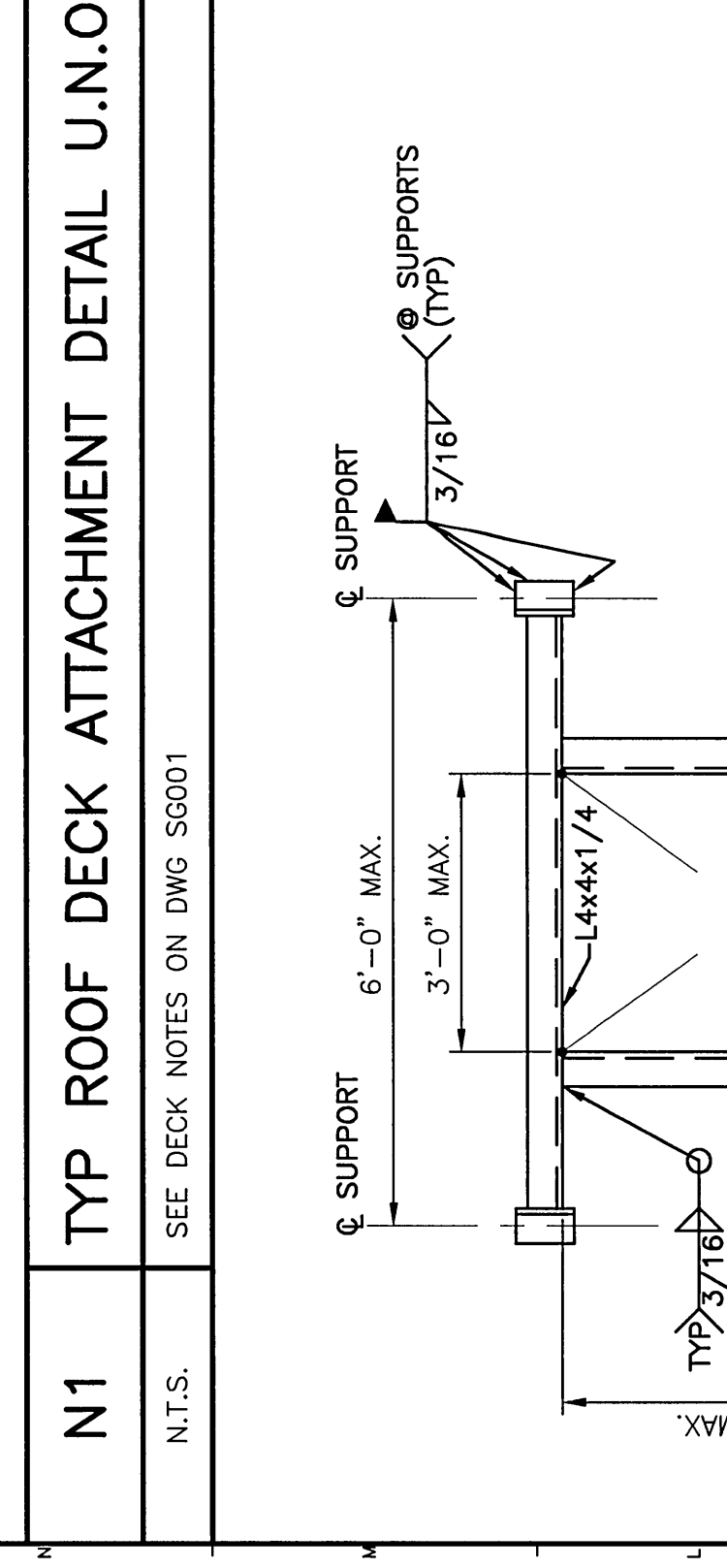
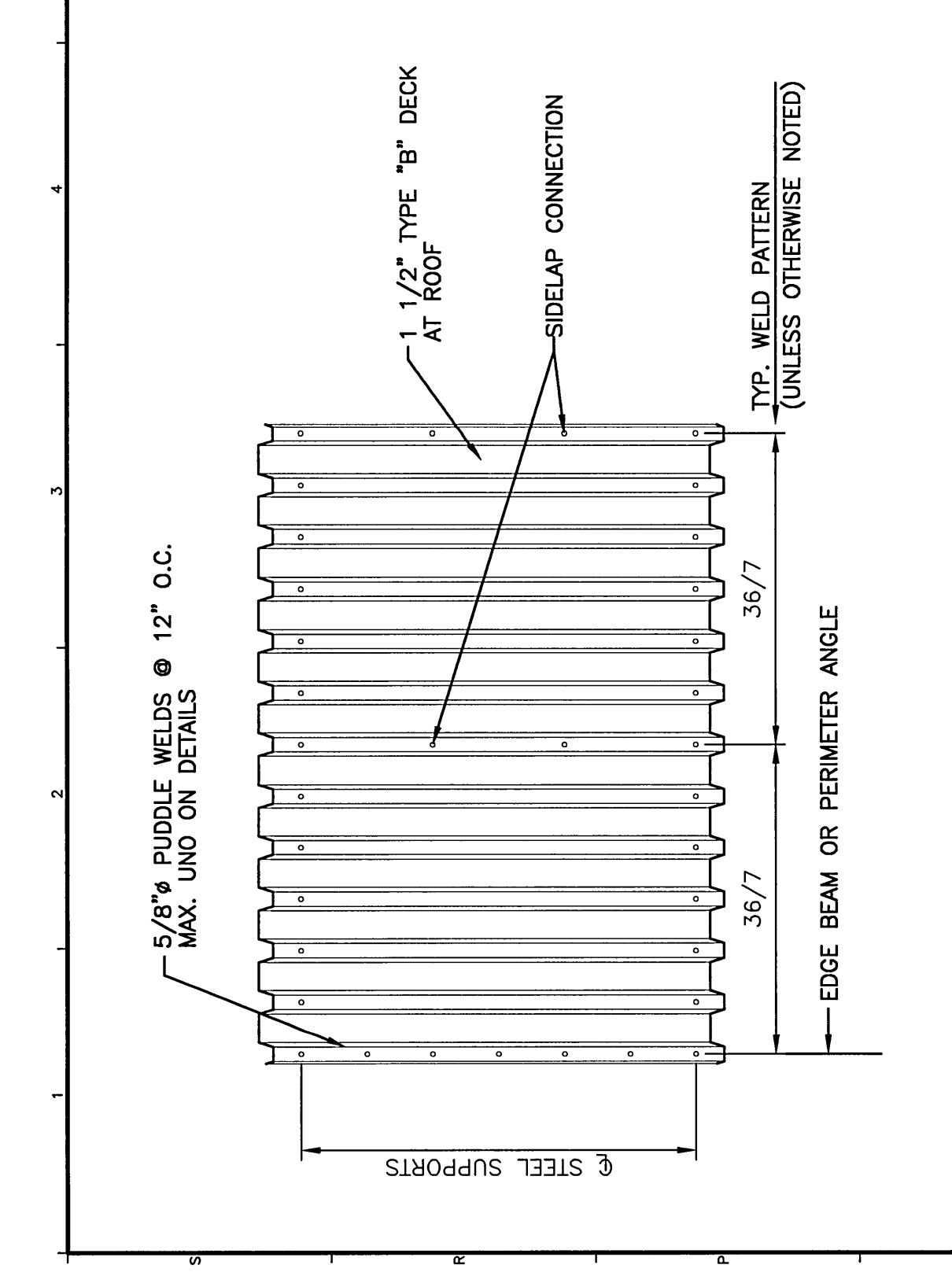
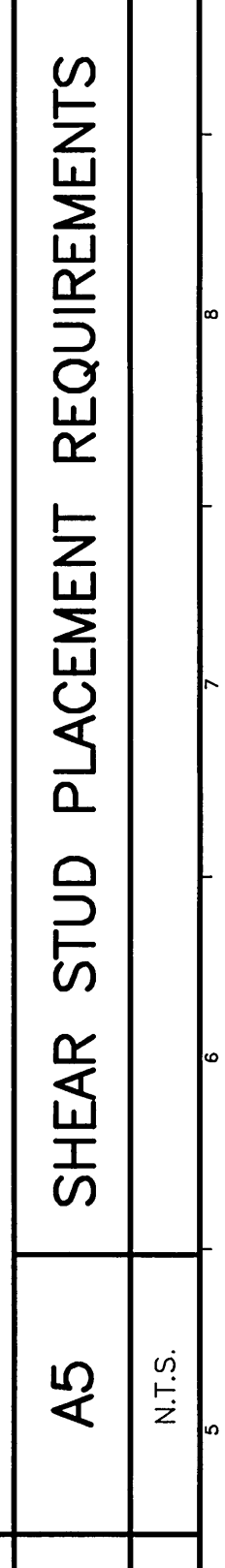
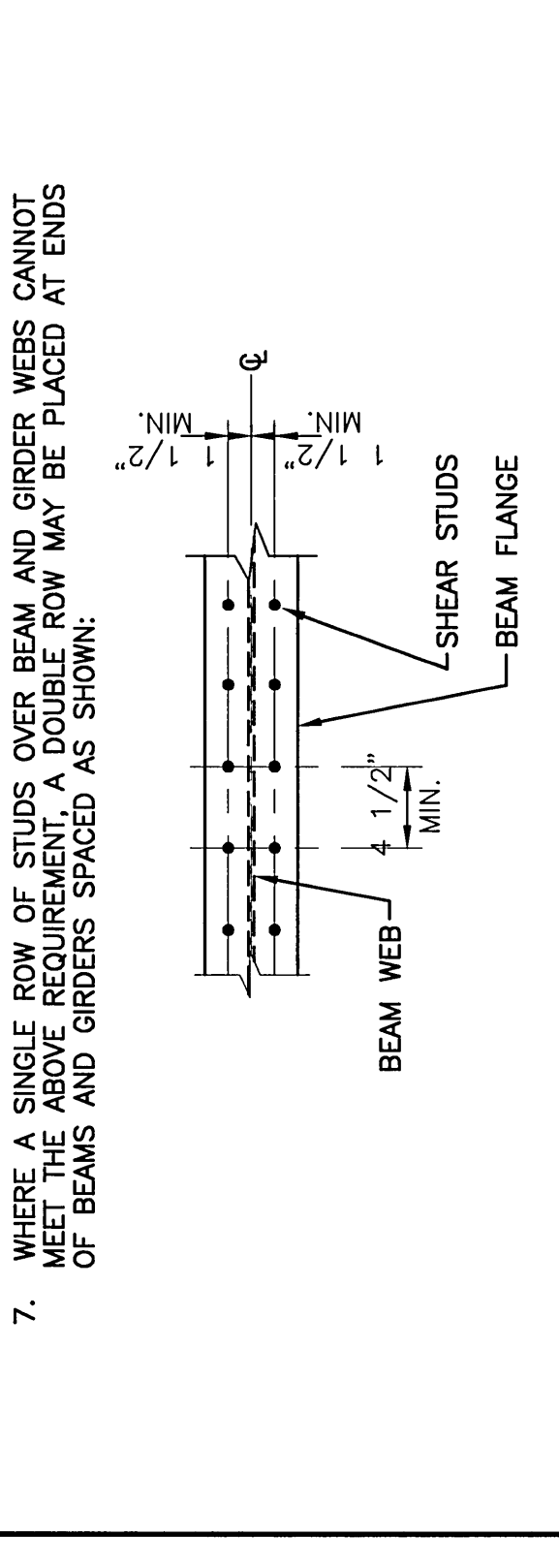
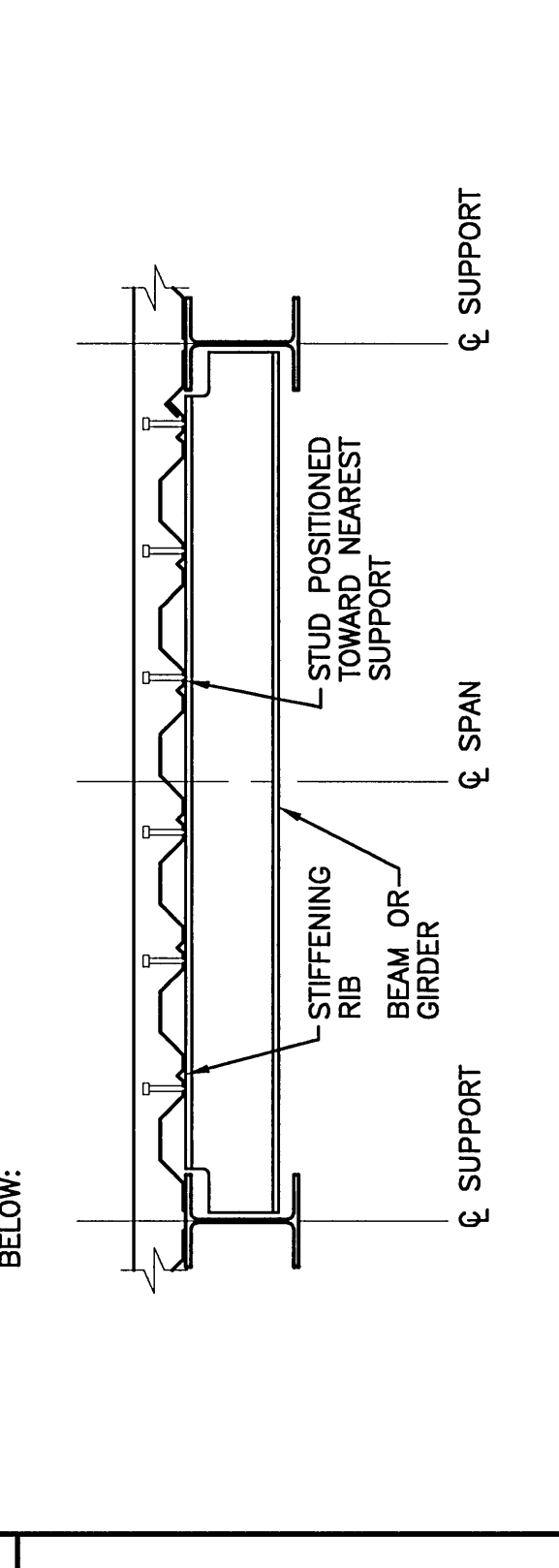
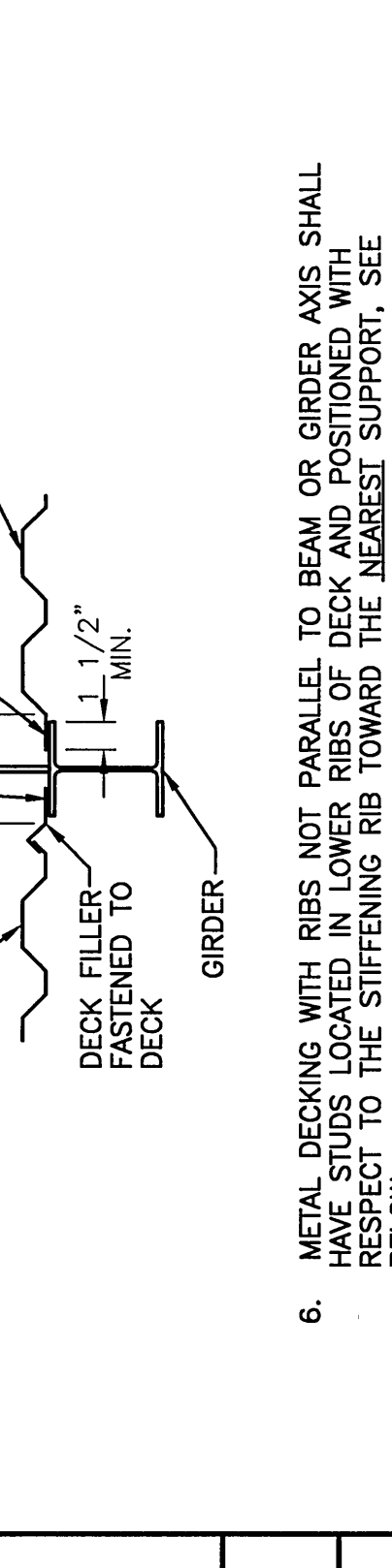
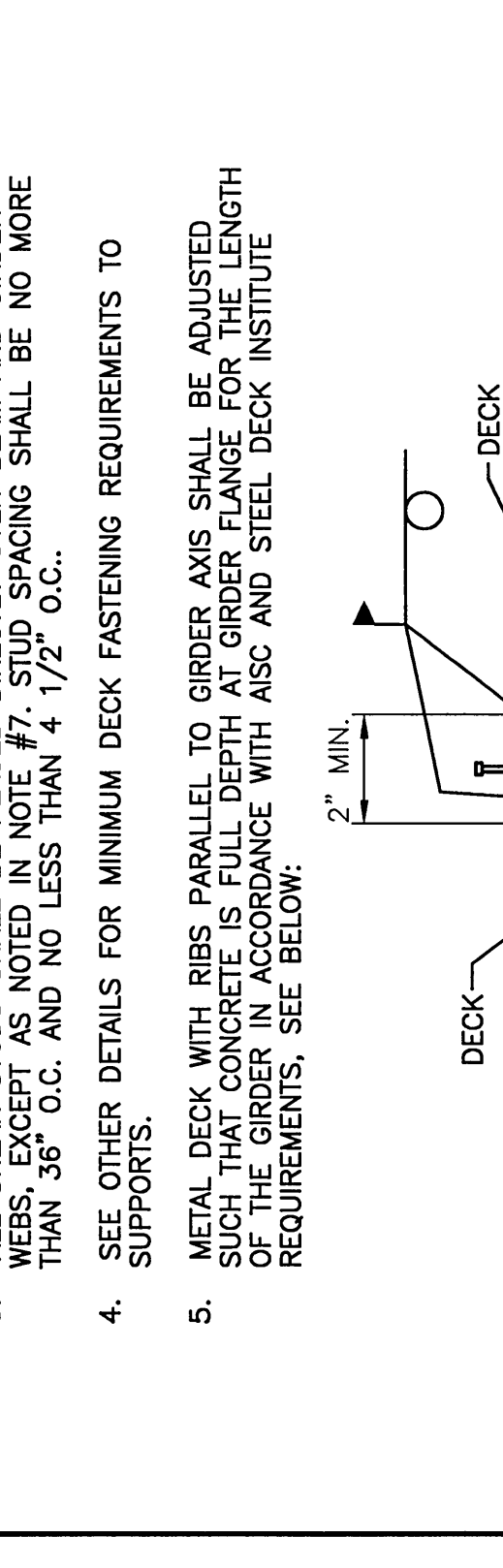
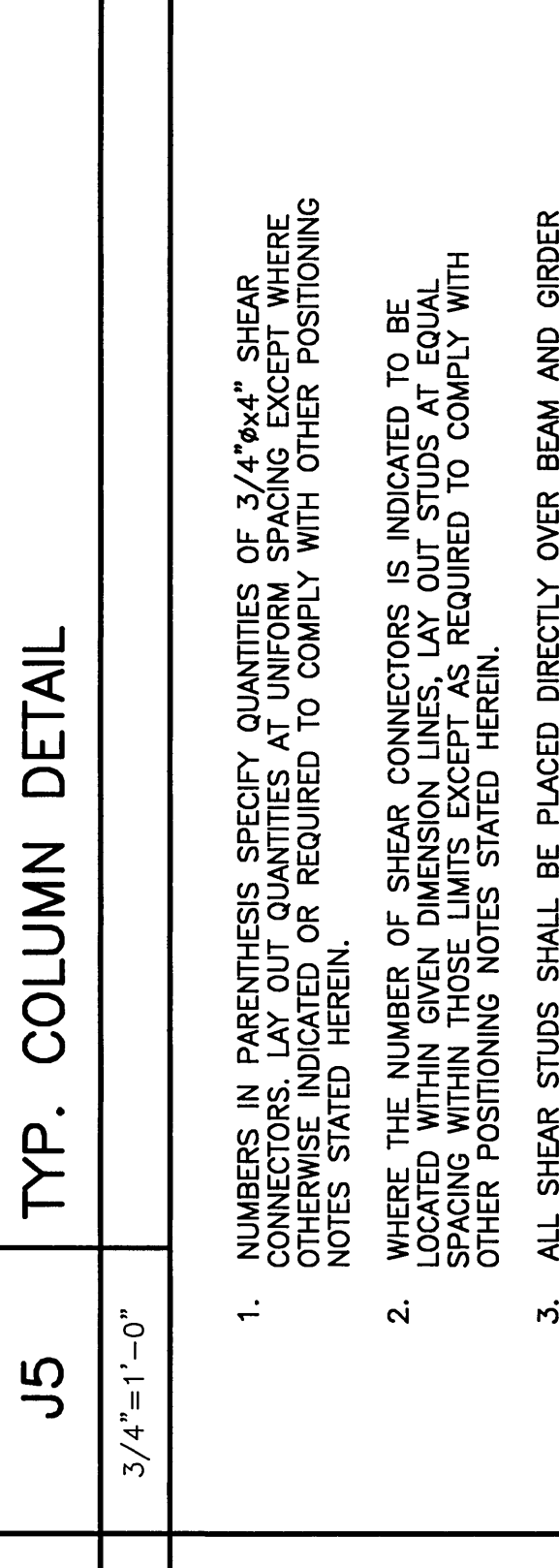
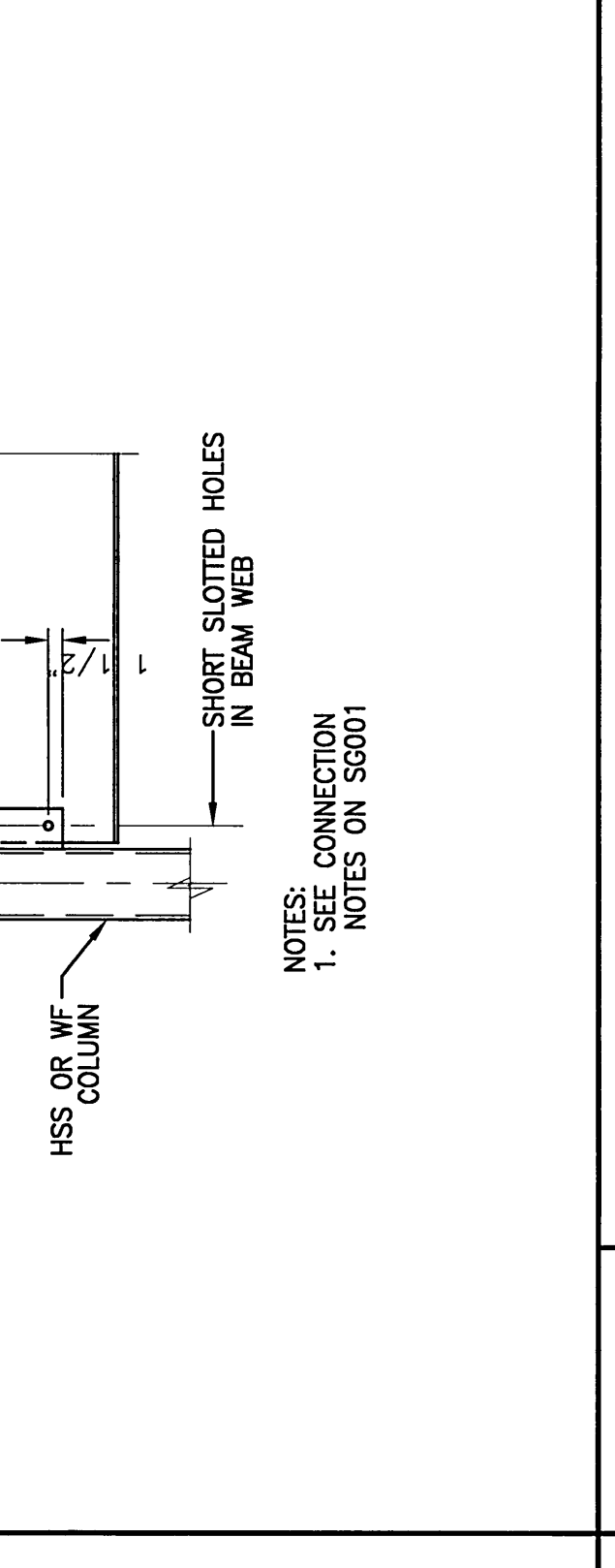
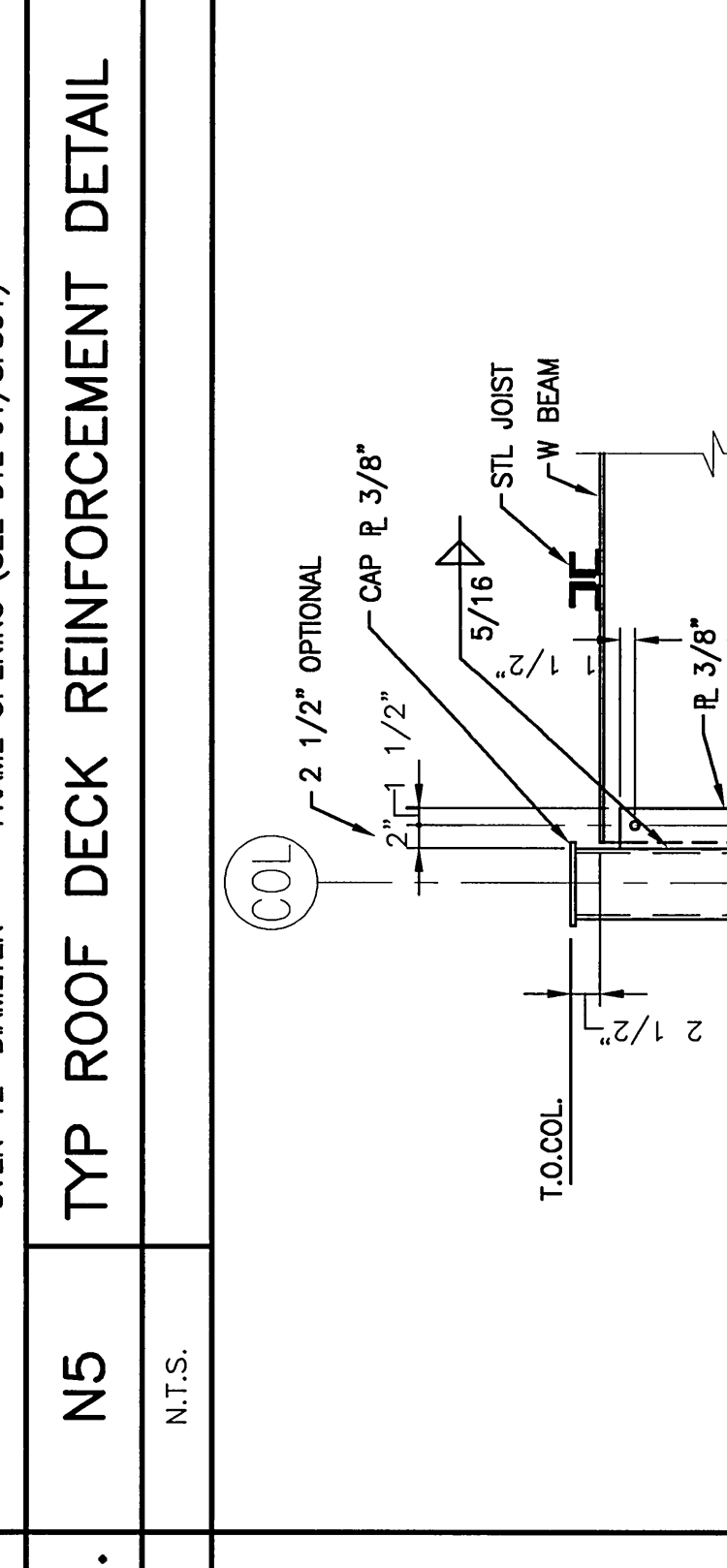
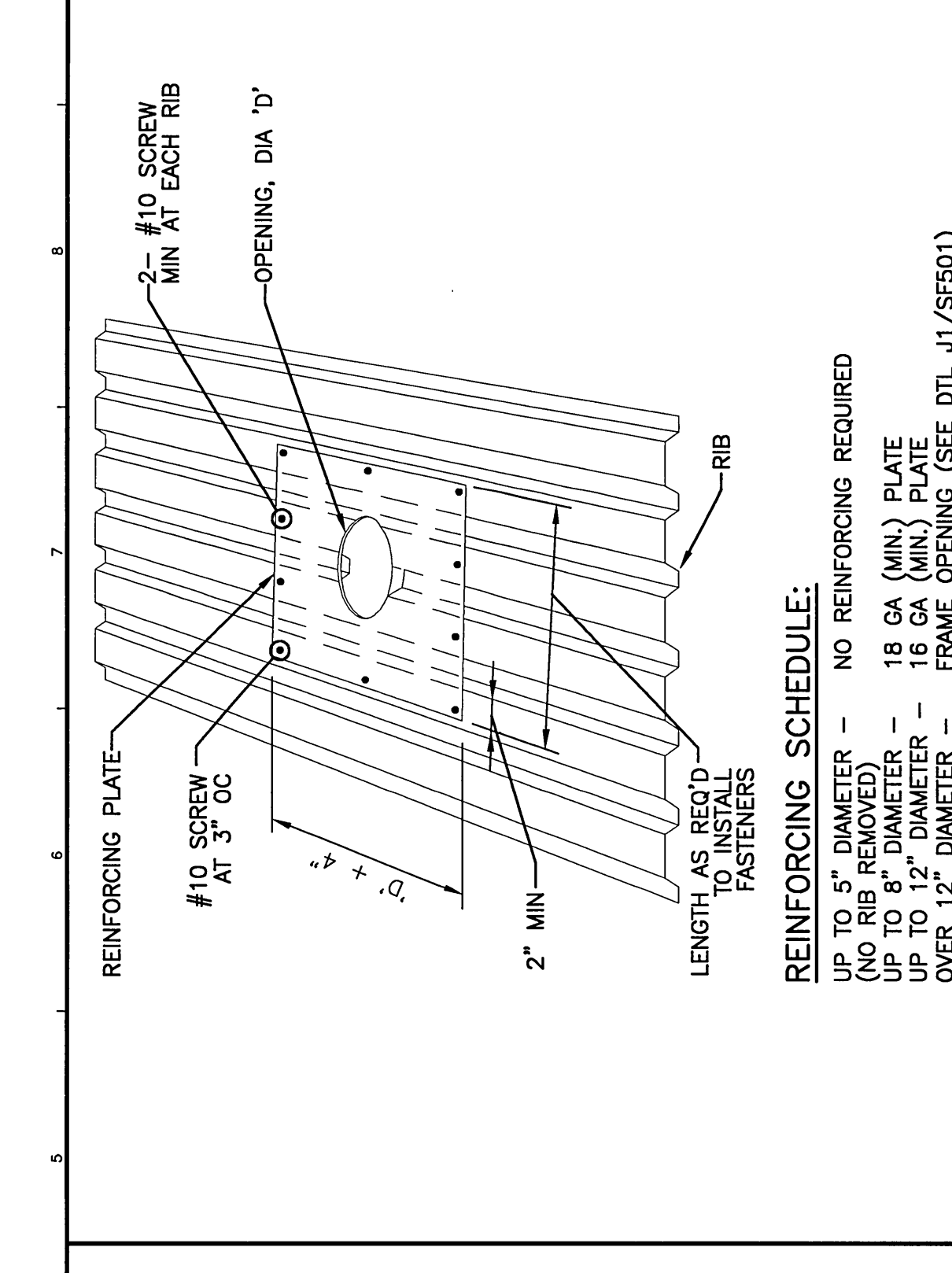
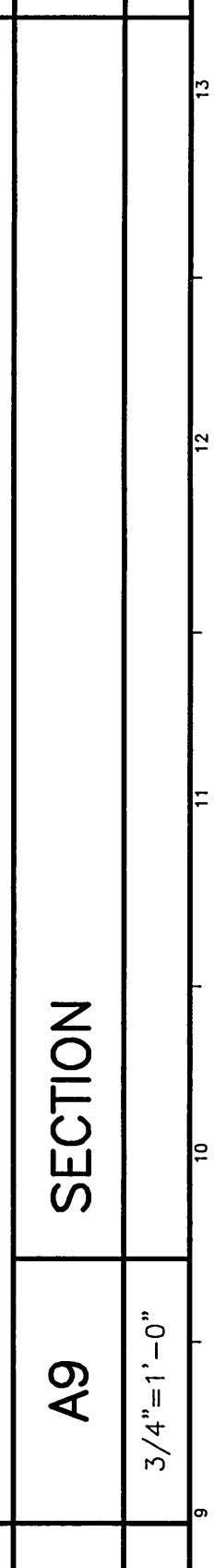
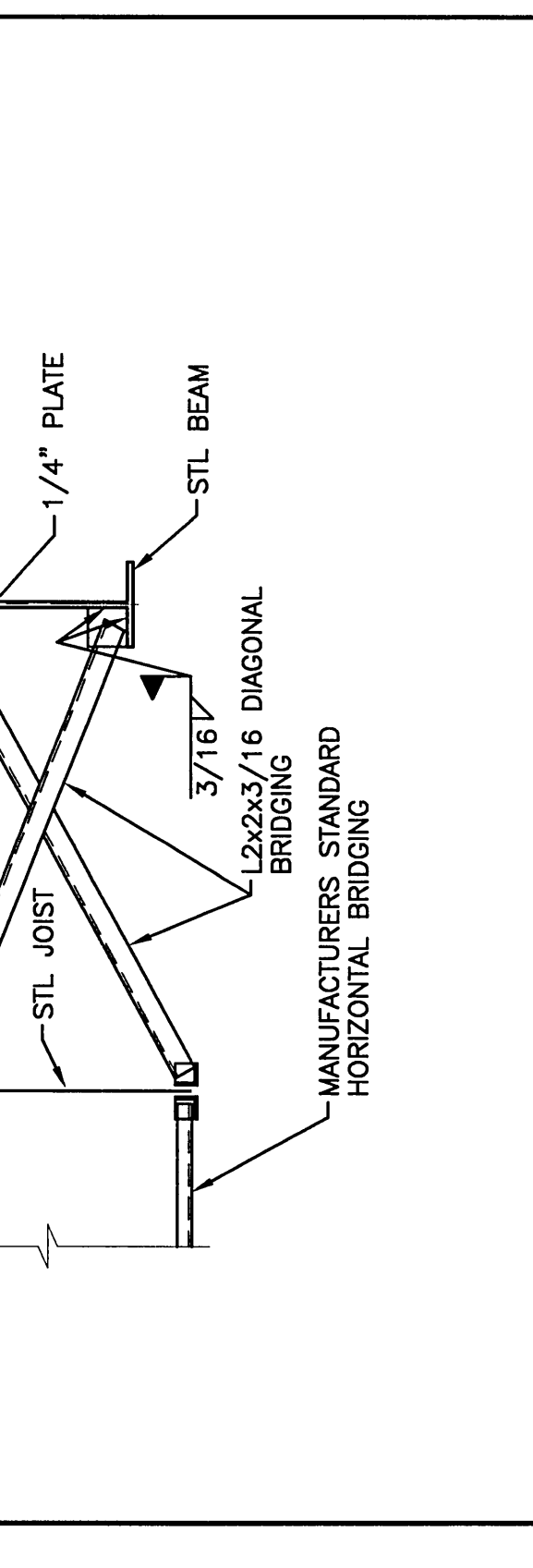
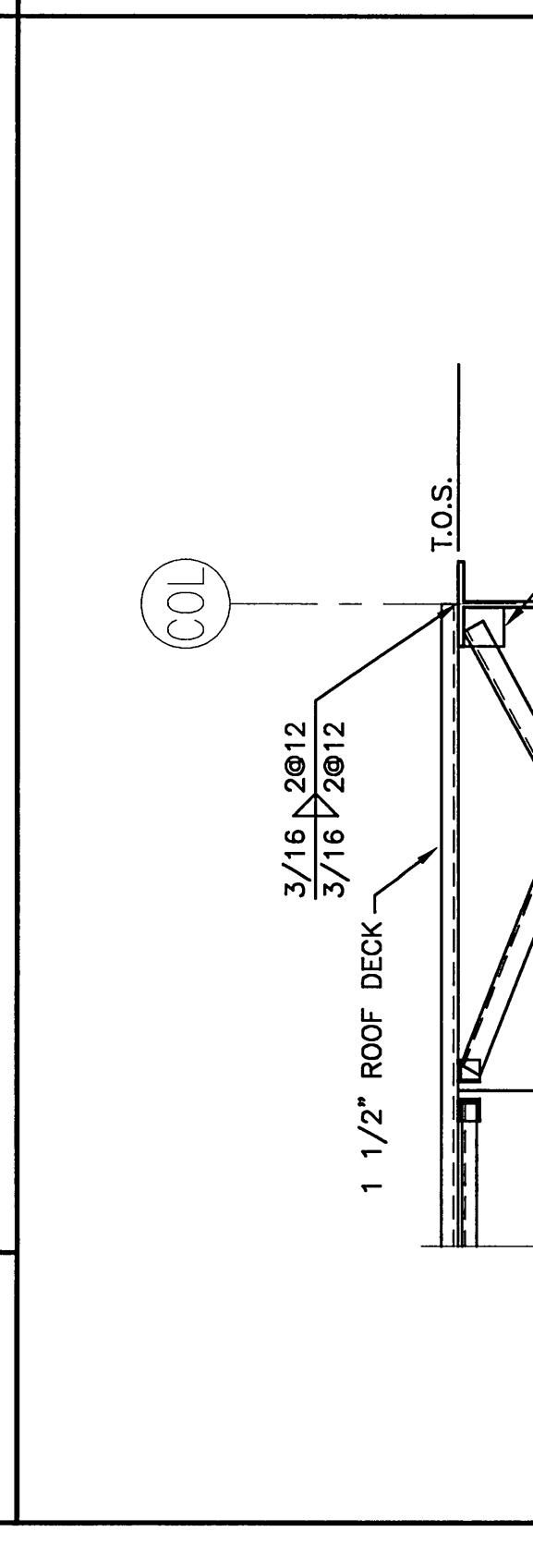
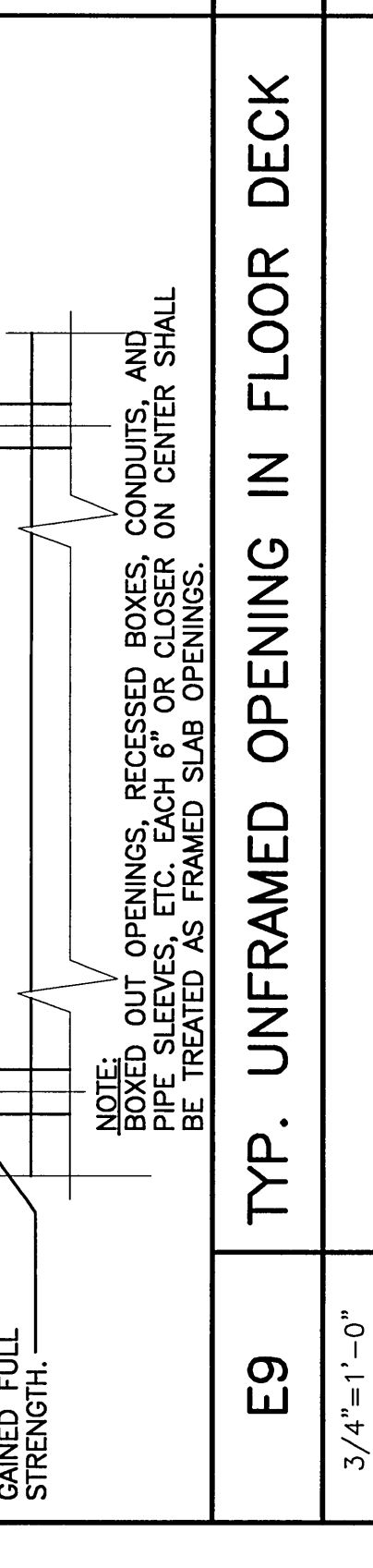
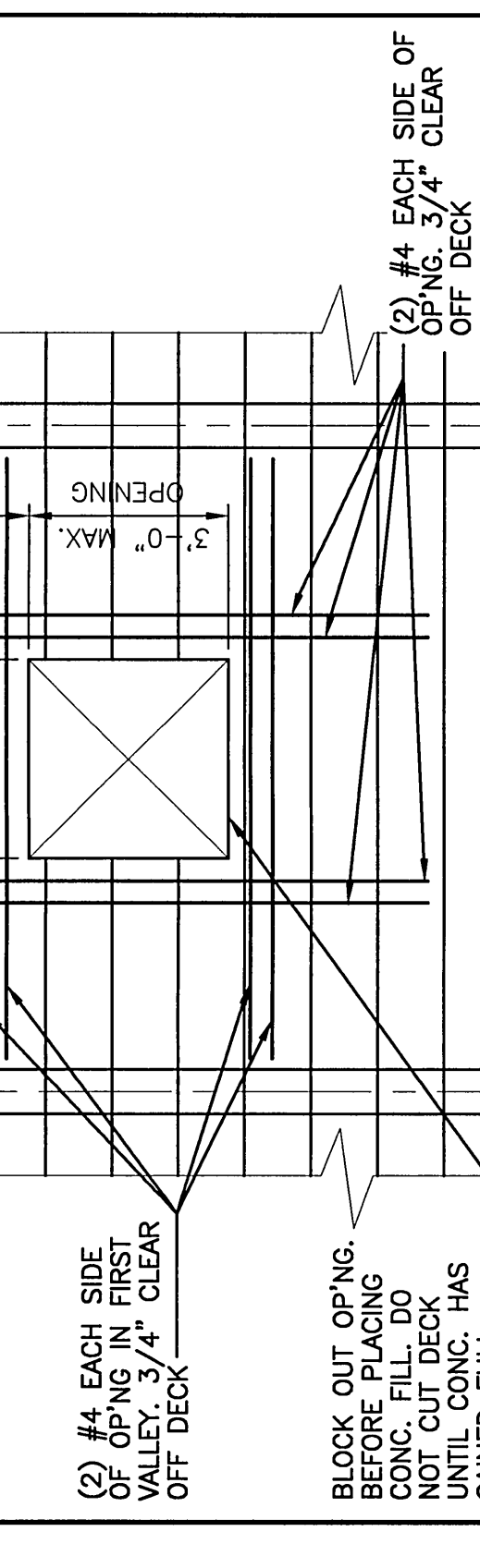
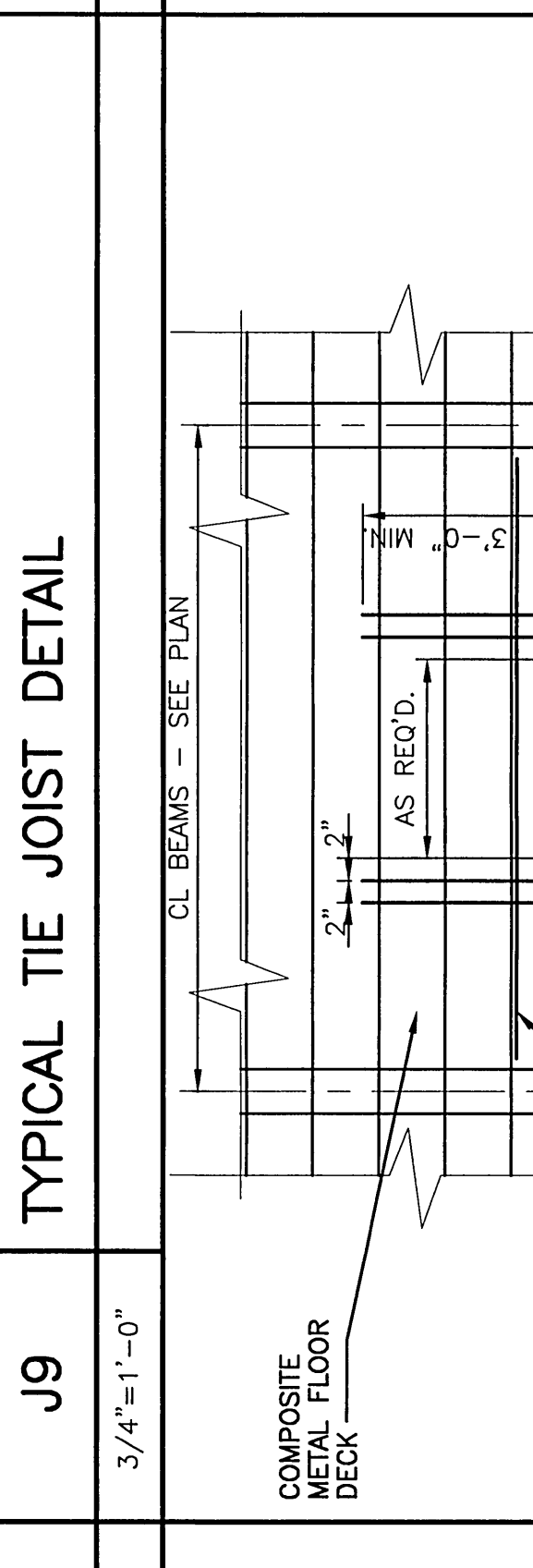
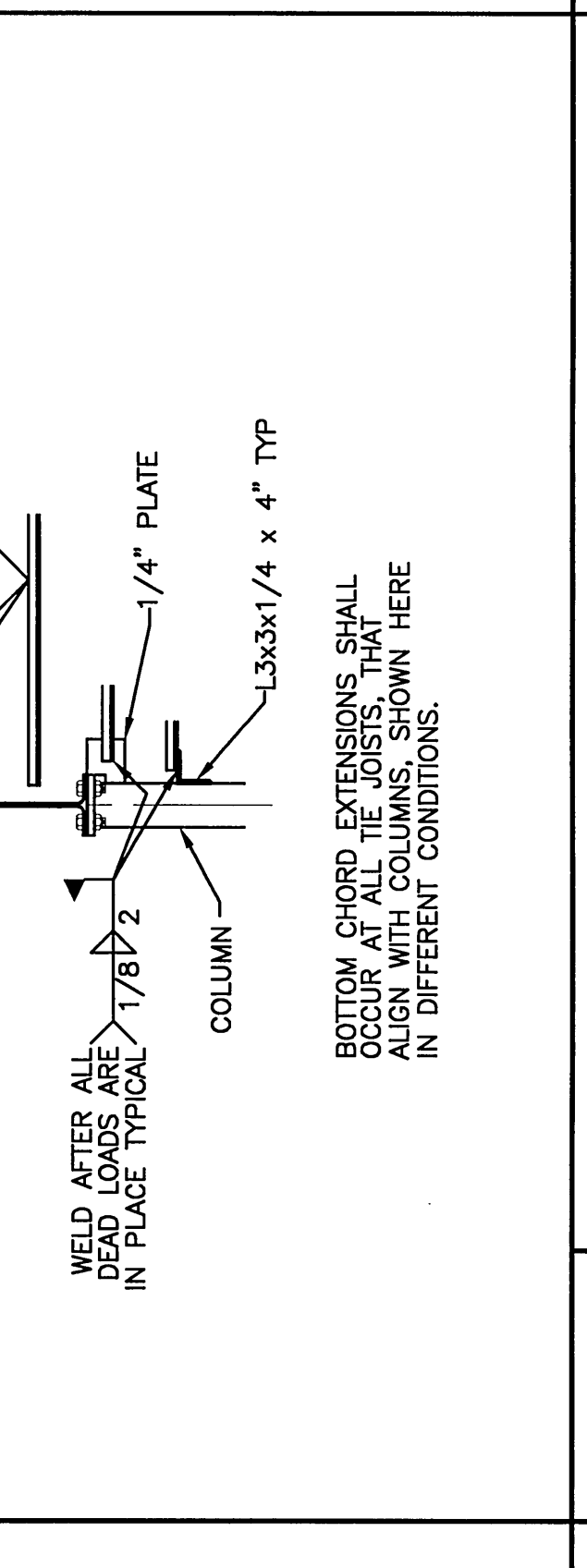
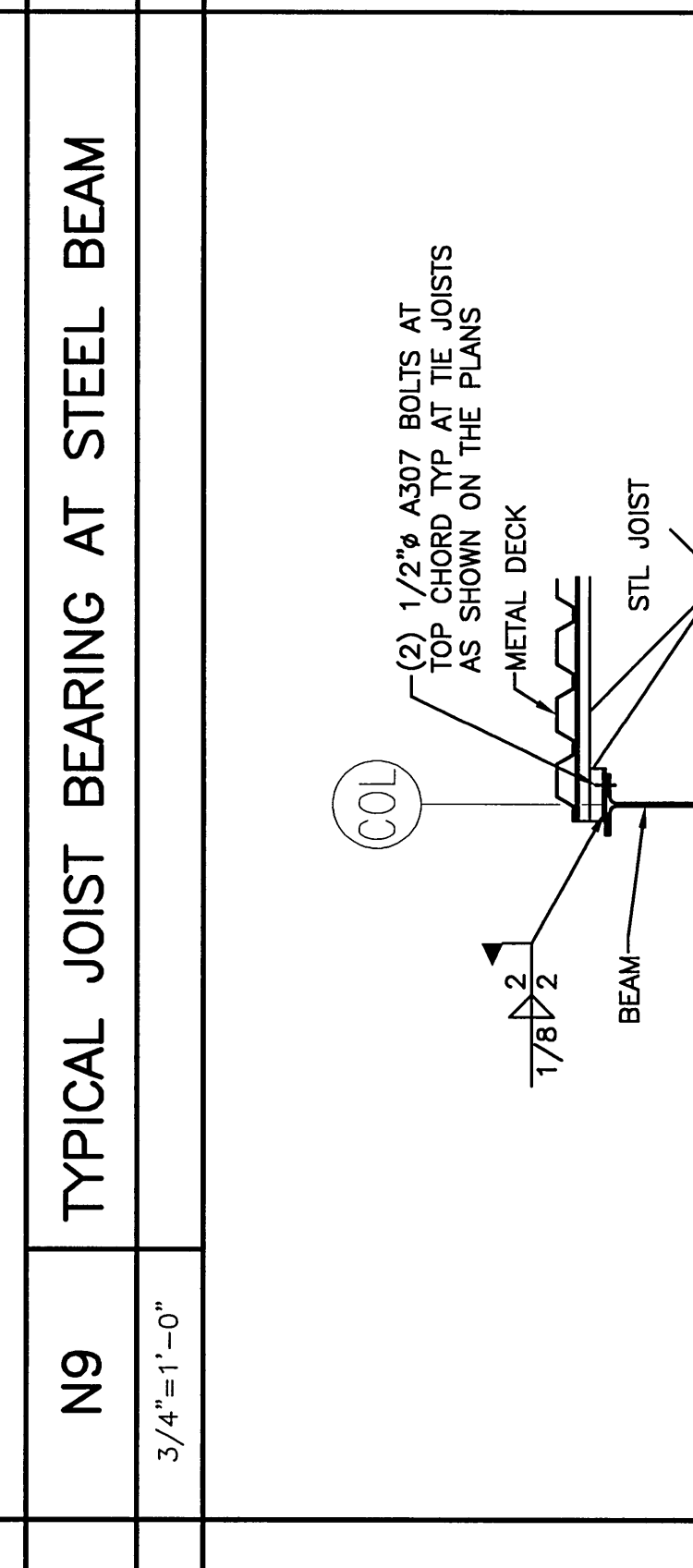
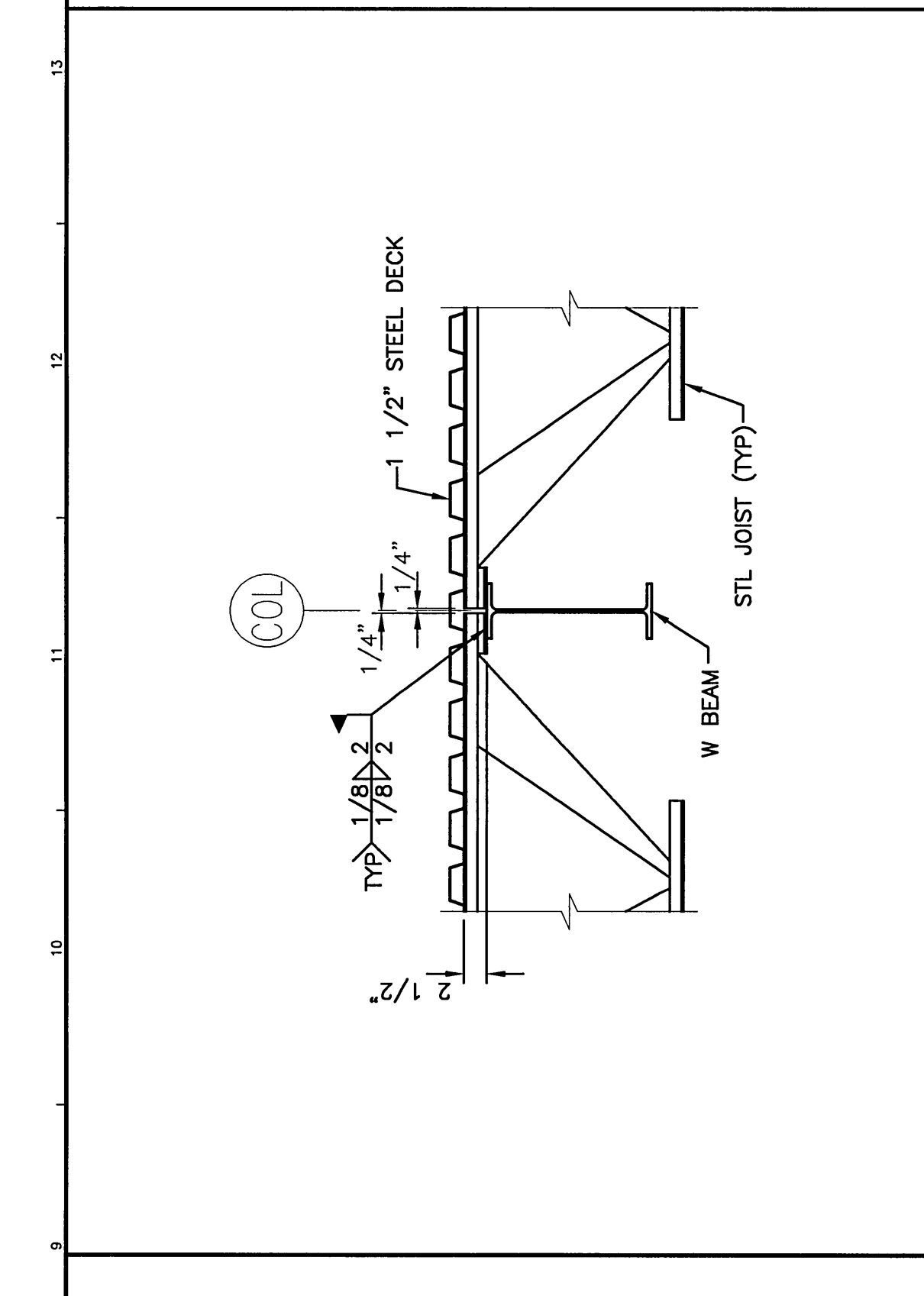
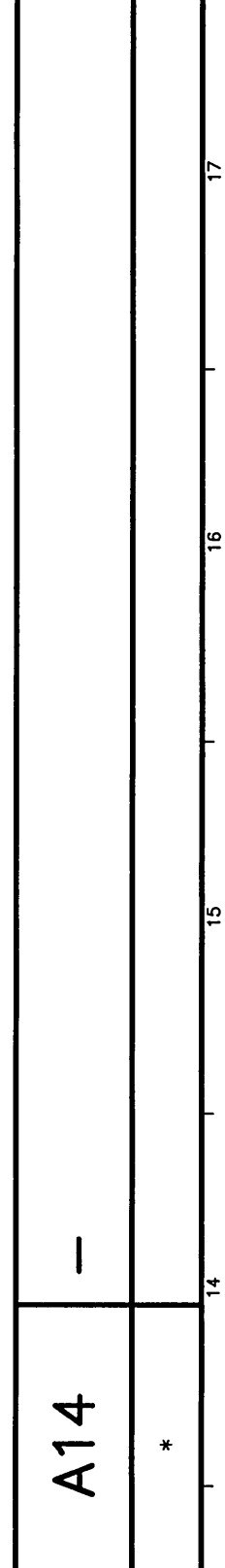
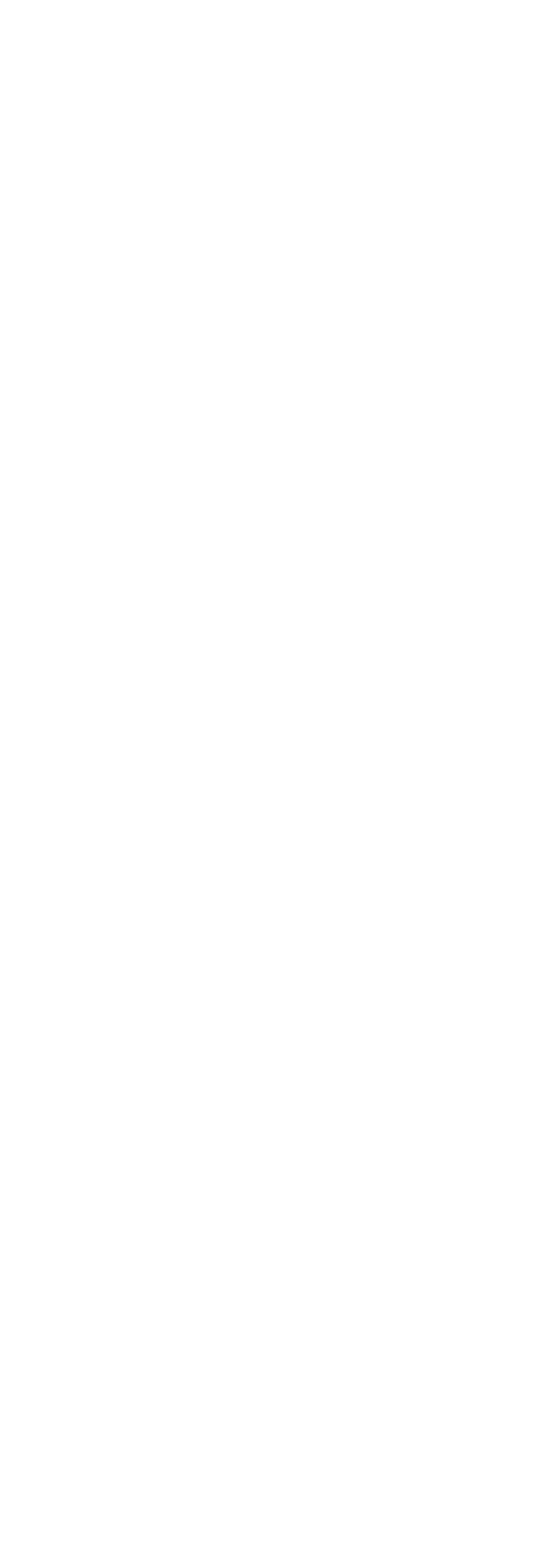
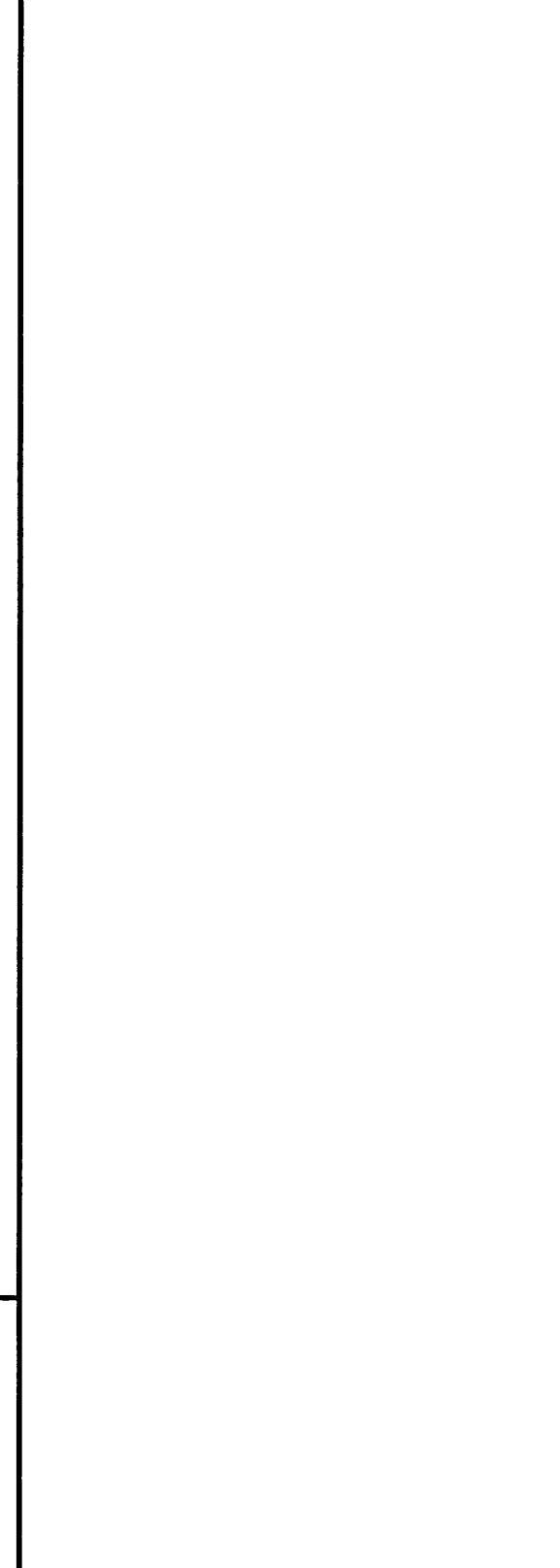
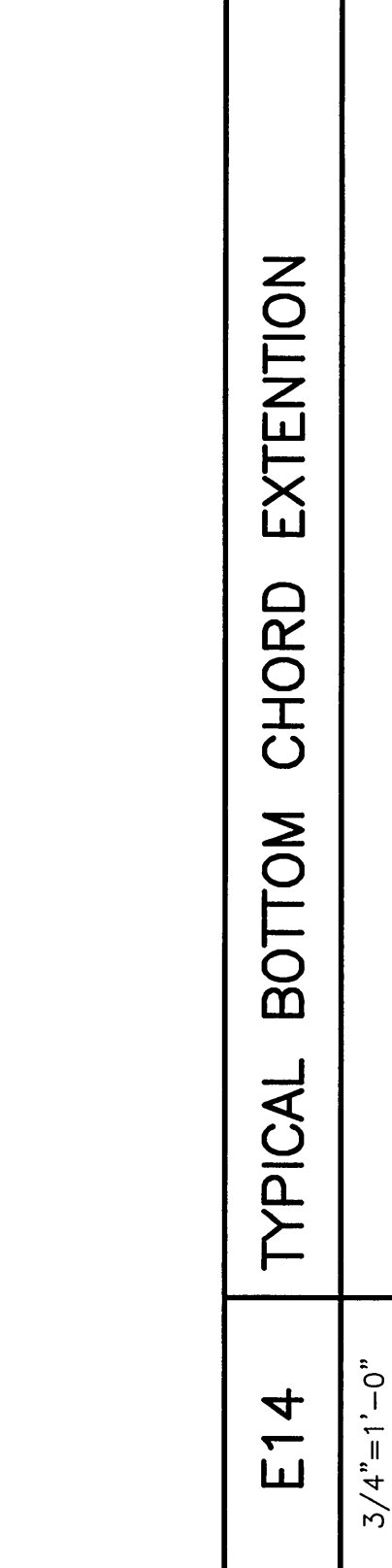
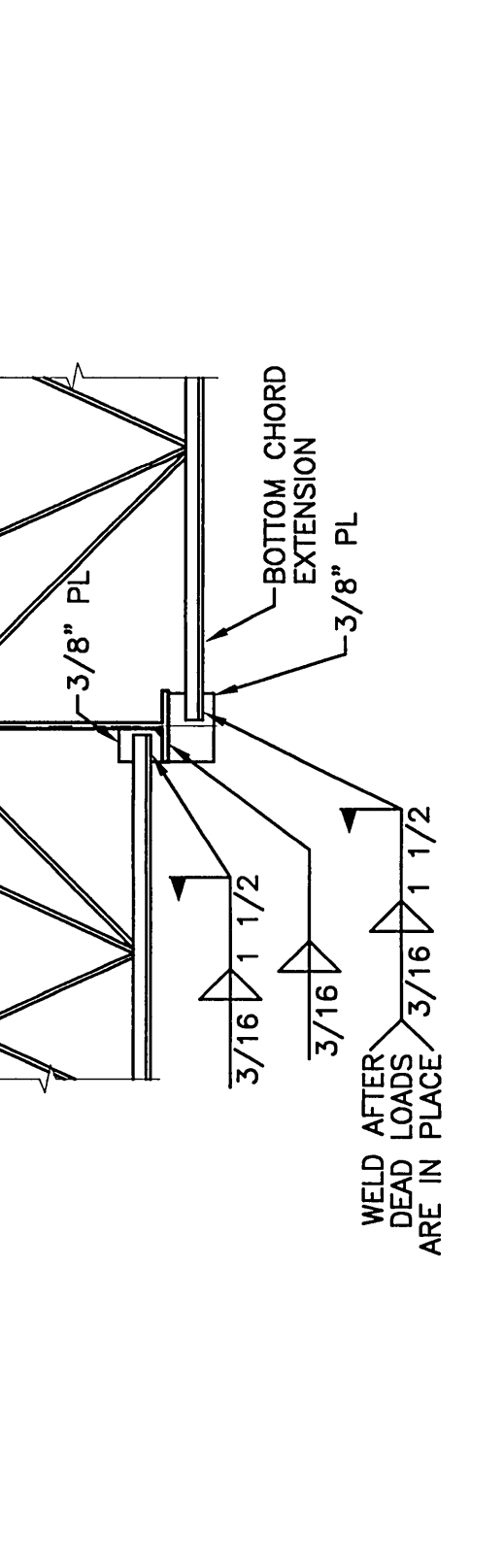
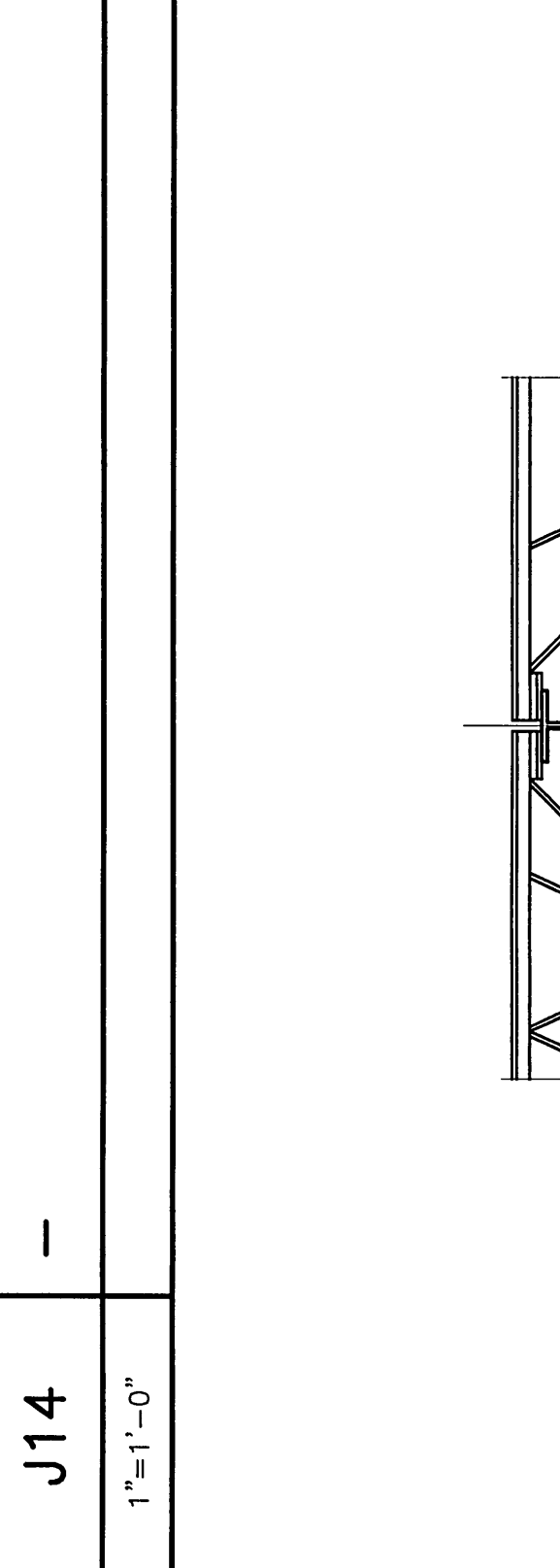
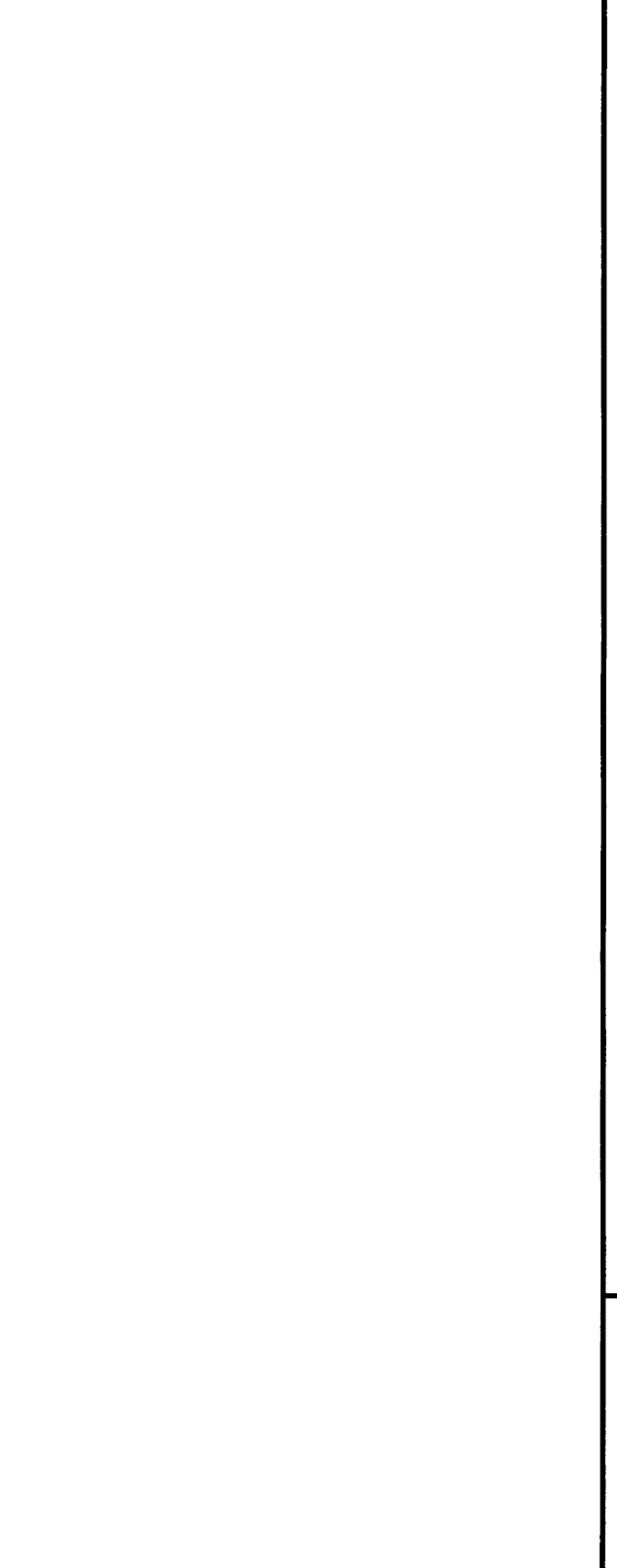
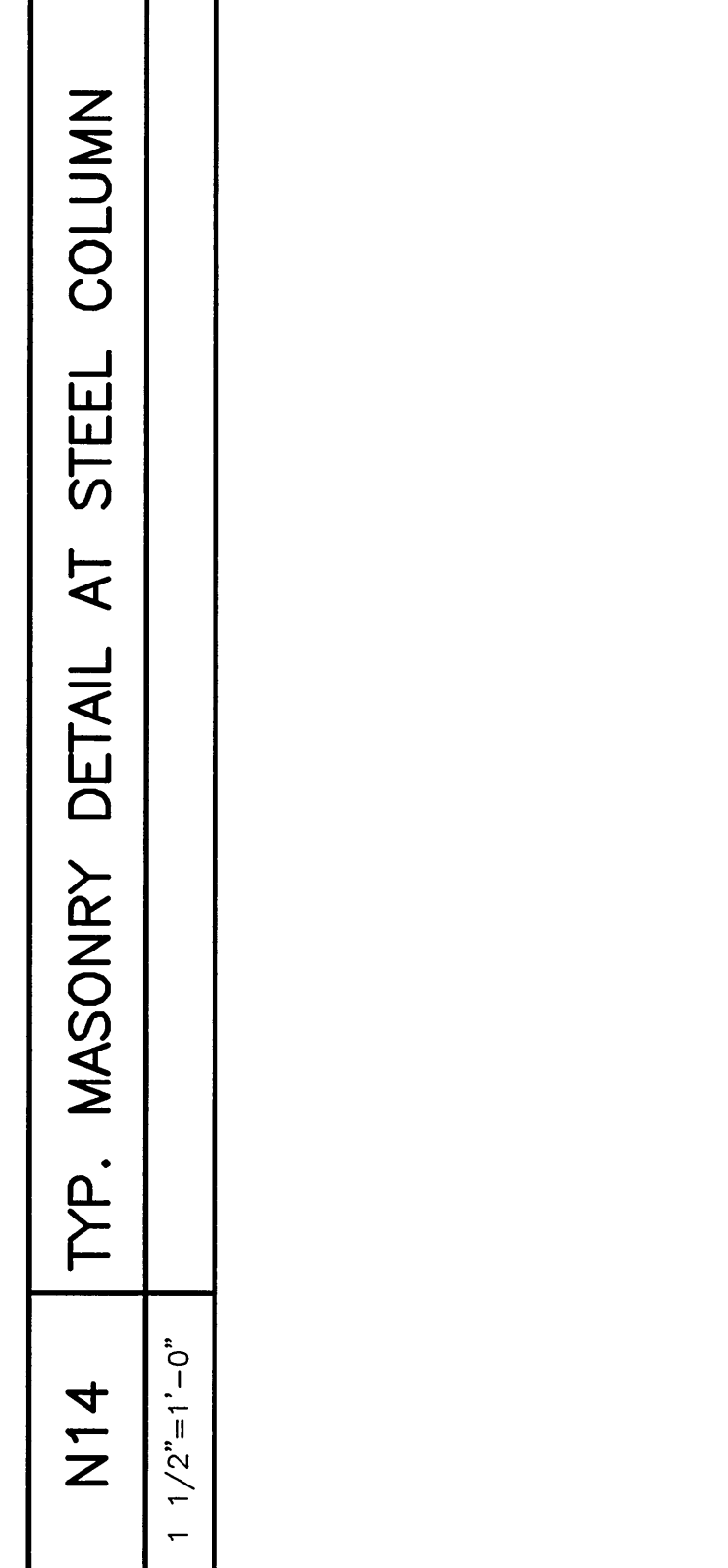
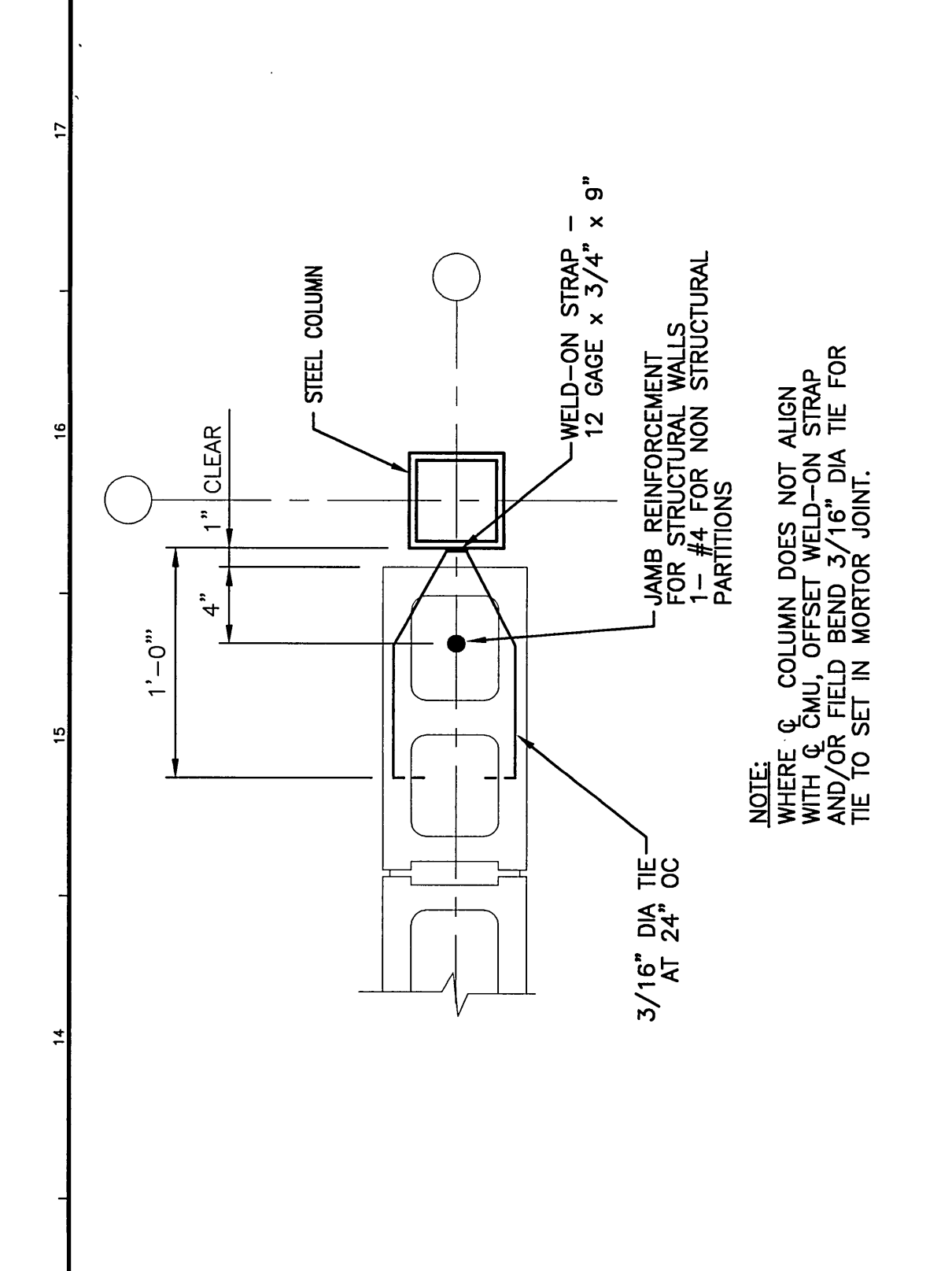
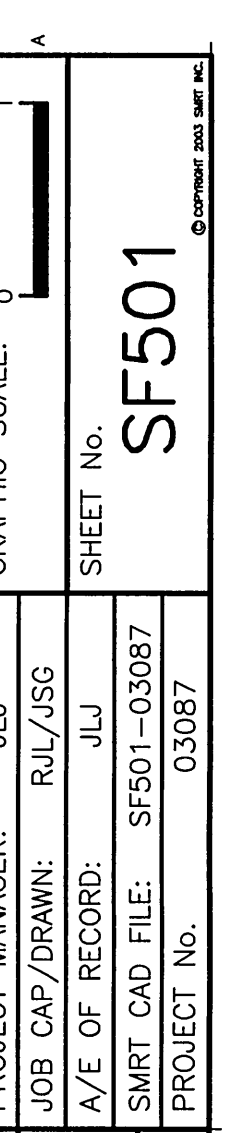
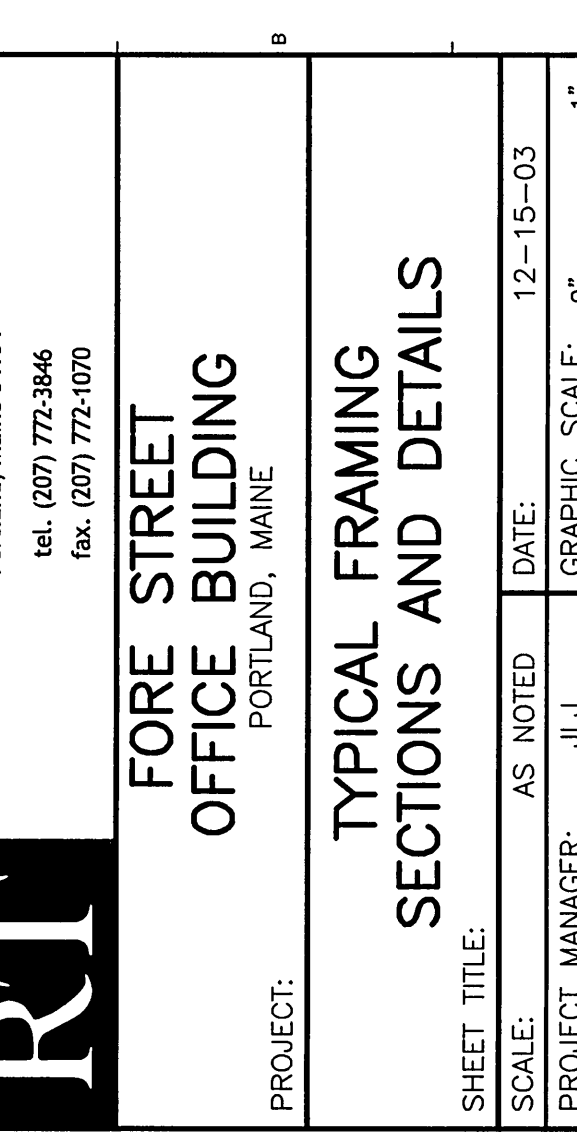
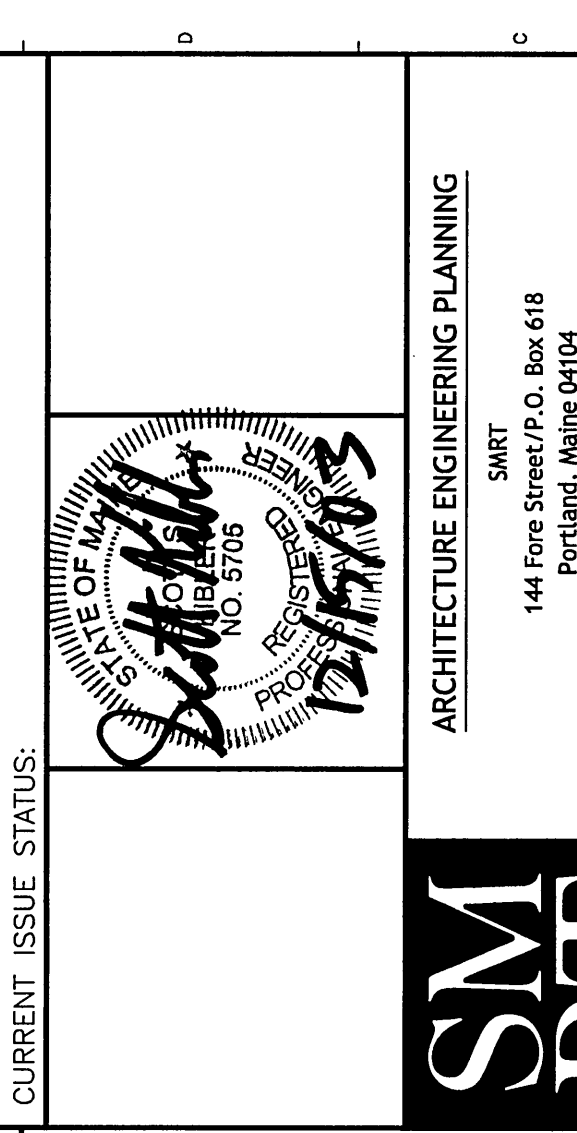
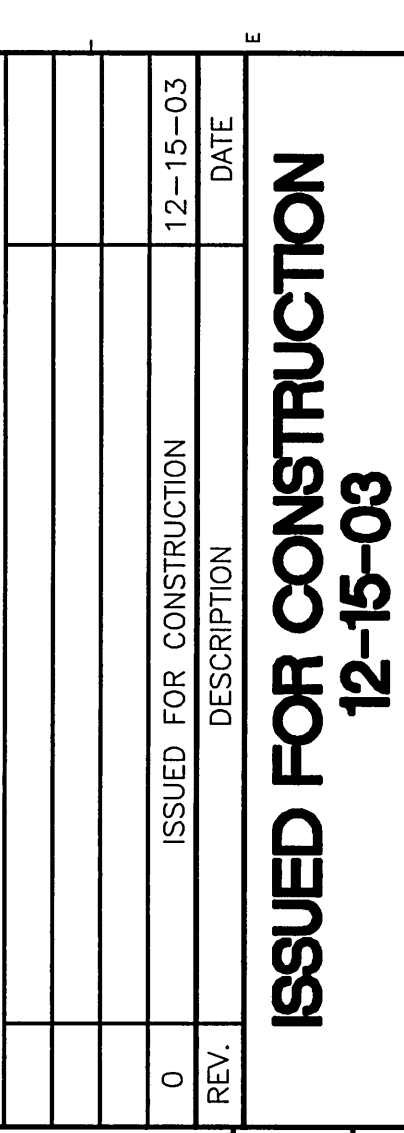
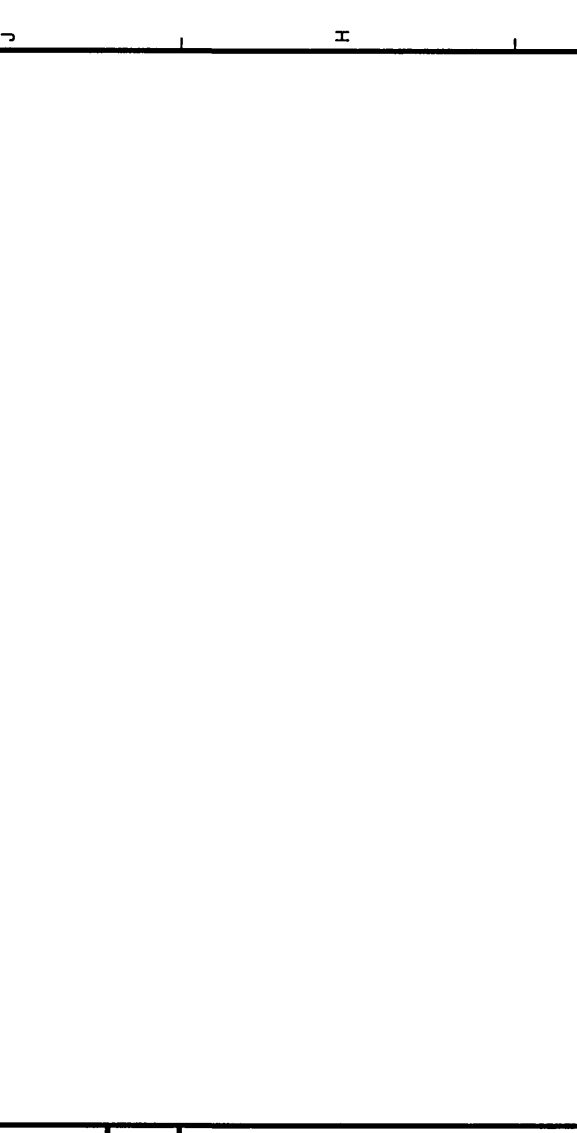
NOTE:
1. SEE S6001 FOR STRUCTURAL GENERAL NOTES.



N1 TYP. ROOF DECK ATTACHMENT DETAIL U.O.O.

N.T.S.

SEE DECK NOTES ON DWG S6001



PROJECT: FORE STREET OFFICE BUILDING, PORTLAND, MAINE		ARCHITECT: SMRT ARCHITECTURE ENGINEERING PLANNING	
PROJECT MANAGER: J.U.		DATE: 12-15-03	
JOB CAP/DRWING: R.U./J.S.S.		GRAPHIC SCALE: 0"	
A/E OF RECORD: J.U.		SHEET No. SF501	
SMART CAD FILE: SF501-03087		PROJECT No. 03087	

ISSUED FOR CONSTRUCTION 12-15-03

REV. 0 ISSUED FOR CONSTRUCTION 12-15-03 DATE

CURRENT ISSUE STATUS:

SMRT ARCHITECTURE ENGINEERING PLANNING

144 Fore Street, P.O. Box 618
Portland, Maine 04104
Tel: (207) 772-3846
Fax: (207) 772-1070

FORE STREET OFFICE BUILDING
PORTLAND, MAINE

TYPICAL FRAMING SECTIONS AND DETAILS

SHEET TITLE: FORE STREET OFFICE BUILDING
PROJECT: FORE STREET OFFICE BUILDING, PORTLAND, MAINE

SCALE: AS NOTED DATE: 12-15-03
PROJECT MANAGER: J.U. GRAPHIC SCALE: 0"

JOB CAP/DRWING: R.U./J.S.S.
A/E OF RECORD: J.U. SHEET No. SF501

SMART CAD FILE: SF501-03087
PROJECT No. 03087

1. SEE S6001 FOR STRUCTURAL GENERAL NOTES.

2. WHERE THE NUMBER OF SHEAR CONNECTORS IS INDICATED TO BE LOCATED WITHIN GIVEN DIMENSION LINES, LAY OUT STUDS AT EQUAL SPACING WITHIN HOLES WITH EXCEPTS REQUIRED TO COMPLY WITH OTHER POSITIONING NOTES STATED HEREIN.

3. ALL SHEAR STUDS SHALL BE PLACED DIRECTLY OVER BEAM AND GIRDER LOCATIONS. SPACING SHALL BE NO MORE THAN 36" O.C. AND NO LESS THAN 4" 1/2" O.C.

4. SEE OTHER DETAILS FOR MINIMUM DECK FASTENING REQUIREMENTS TO SUPPORTS.

5. METAL DECK WITH RIBS PARALLEL TO GIRDER AXIS SHALL BE ADJUSTED TO BE PARALLEL TO GIRDER IN ACCORDANCE WITH AISI AND STEEL DECK INSTITUTE REQUIREMENTS. SEE BELOW:

6. METAL DECKING WITH RIBS NOT PARALLEL TO BEAM OR GIRDER AXIS SHALL HAVE STUDS LOCATED IN LOWER RIBS OF DECK AND POSITIONED WITH REFERENCE TO THE STIFFENING RIB TOWARD THE NEAREST SUPPORT, SEE BELOW:

7. WHERE A SINGLE ROW OF STUDS OVER BEAM AND GIRDER WEBS CANNOT BE PLACED AT ENDS OF BEAMS AND GIRDERS SPACED AS SHOWN:

1. NUMBERS IN PARENTHESES SPECIFY QUANTITIES OF 5/8" x 5/8" SHEAR STUDS. ALL OTHERS ARE QUANTITIES OF 3/8" x 3/8" STUDS UNLESS OTHERWISE INDICATED OR REQUIRED TO COMPLY WITH OTHER POSITIONING NOTES STATED HEREIN.

2. WHERE THE NUMBER OF SHEAR CONNECTORS IS INDICATED TO BE LOCATED WITHIN GIVEN DIMENSION LINES, LAY OUT STUDS AT EQUAL SPACING WITHIN HOLES WITH EXCEPTS REQUIRED TO COMPLY WITH OTHER POSITIONING NOTES STATED HEREIN.

3. ALL SHEAR STUDS SHALL BE PLACED DIRECTLY OVER BEAM AND GIRDER LOCATIONS. SPACING SHALL BE NO MORE THAN 36" O.C. AND NO LESS THAN 4" 1/2" O.C.

4. SEE OTHER DETAILS FOR MINIMUM DECK FASTENING REQUIREMENTS TO SUPPORTS.

5. METAL DECK WITH RIBS PARALLEL TO GIRDER AXIS SHALL BE ADJUSTED TO BE PARALLEL TO GIRDER IN ACCORDANCE WITH AISI AND STEEL DECK INSTITUTE REQUIREMENTS. SEE BELOW:

6. METAL DECKING WITH RIBS NOT PARALLEL TO BEAM OR GIRDER AXIS SHALL HAVE STUDS LOCATED IN LOWER RIBS OF DECK AND POSITIONED WITH REFERENCE TO THE STIFFENING RIB TOWARD THE NEAREST SUPPORT, SEE BELOW:

7. WHERE A SINGLE ROW OF STUDS OVER BEAM AND GIRDER WEBS CANNOT BE PLACED AT ENDS OF BEAMS AND GIRDERS SPACED AS SHOWN:

1. NUMBERS IN PARENTHESES SPECIFY QUANTITIES OF 5/8" x 5/8" SHEAR STUDS. ALL OTHERS ARE QUANTITIES OF 3/8" x 3/8" STUDS UNLESS OTHERWISE INDICATED OR REQUIRED TO COMPLY WITH OTHER POSITIONING NOTES STATED HEREIN.

2. WHERE THE NUMBER OF SHEAR CONNECTORS IS INDICATED TO BE LOCATED WITHIN GIVEN DIMENSION LINES, LAY OUT STUDS AT EQUAL SPACING WITHIN HOLES WITH EXCEPTS REQUIRED TO COMPLY WITH OTHER POSITIONING NOTES STATED HEREIN.

3. ALL SHEAR STUDS SHALL BE PLACED DIRECTLY OVER BEAM AND GIRDER LOCATIONS. SPACING SHALL BE NO MORE THAN 36" O.C. AND NO LESS THAN 4" 1/2" O.C.

4. SEE OTHER DETAILS FOR MINIMUM DECK FASTENING REQUIREMENTS TO SUPPORTS.

5. METAL DECK WITH RIBS PARALLEL TO GIRDER AXIS SHALL BE ADJUSTED TO BE PARALLEL TO GIRDER IN ACCORDANCE WITH AISI AND STEEL DECK INSTITUTE REQUIREMENTS. SEE BELOW:

6. METAL DECKING WITH RIBS NOT PARALLEL TO BEAM OR GIRDER AXIS SHALL HAVE STUDS LOCATED IN LOWER RIBS OF DECK AND POSITIONED WITH REFERENCE TO THE STIFFENING RIB TOWARD THE NEAREST SUPPORT, SEE BELOW:

7. WHERE A SINGLE ROW OF STUDS OVER BEAM AND GIRDER WEBS CANNOT BE PLACED AT ENDS OF BEAMS AND GIRDERS SPACED AS SHOWN: