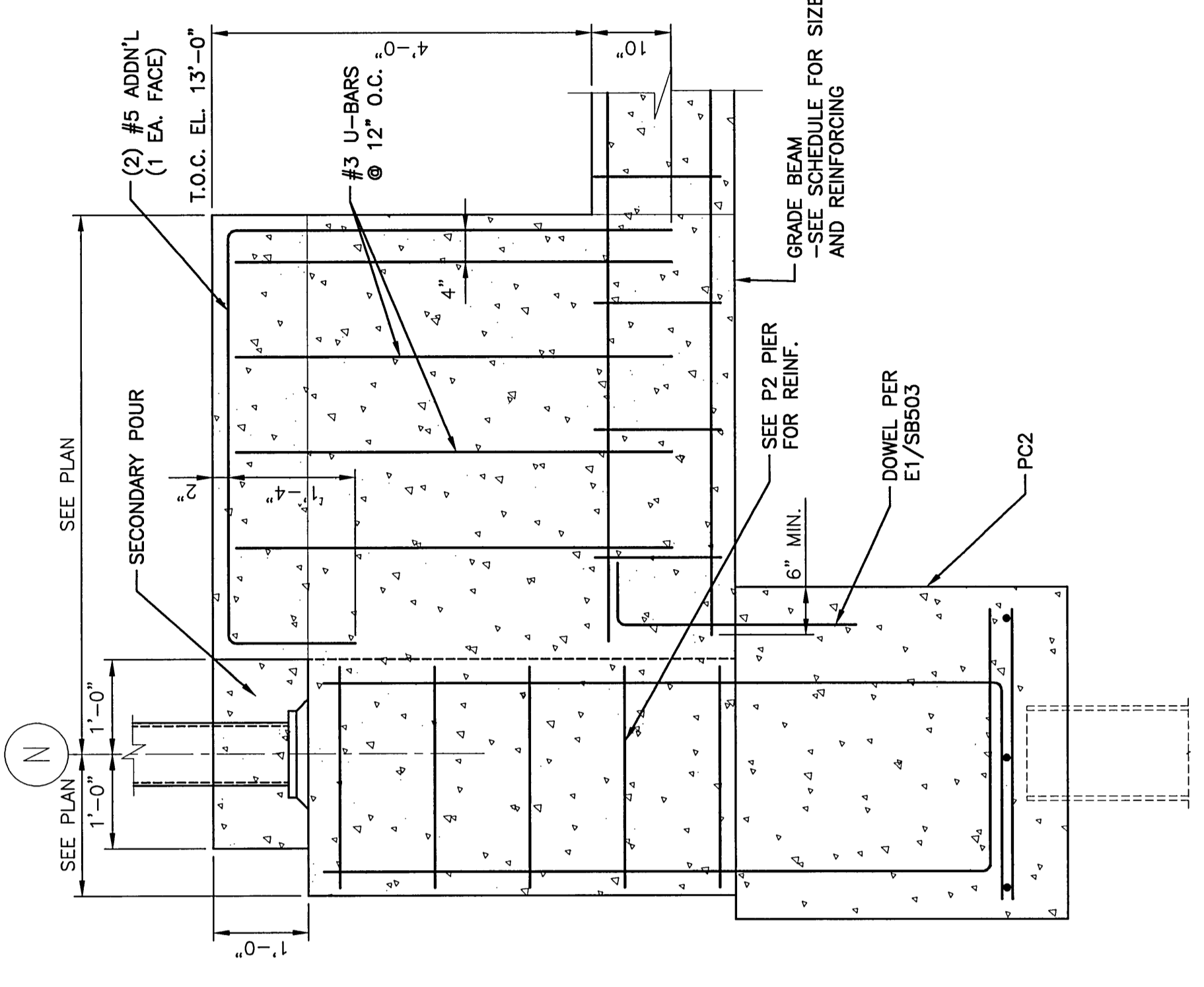
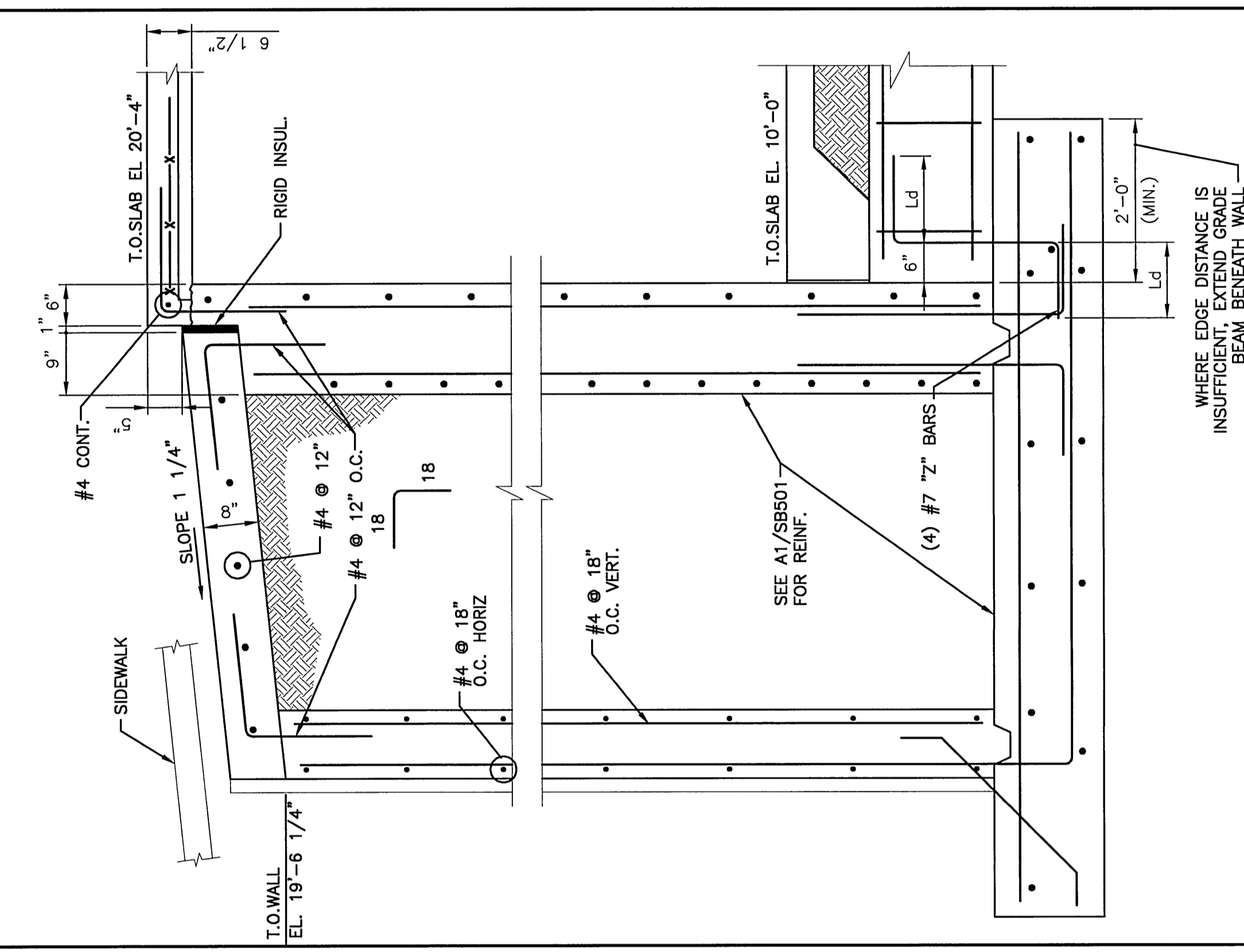


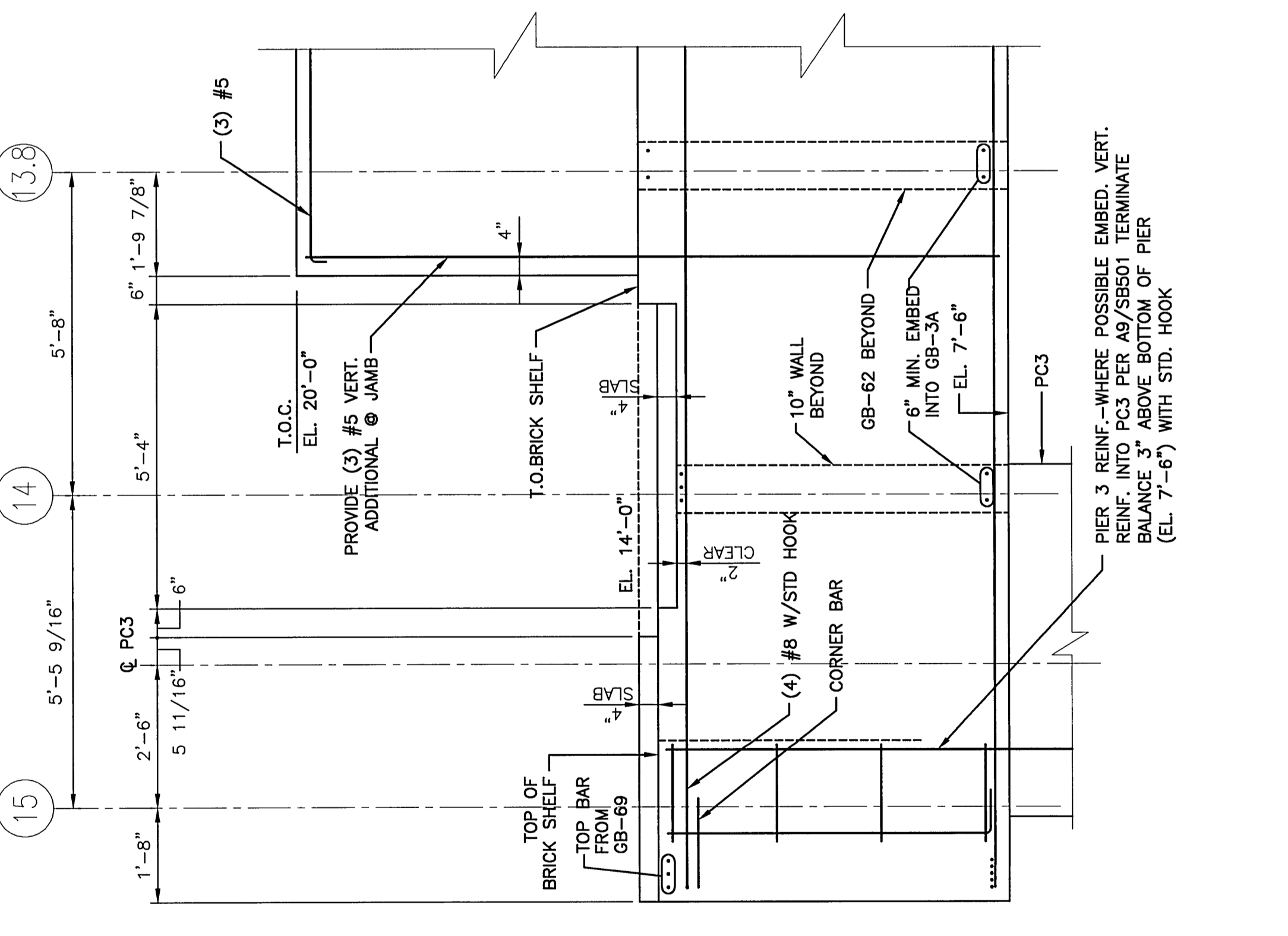
NOTE:
1. SEE S6001 FOR STRUCTURAL GENERAL NOTES.



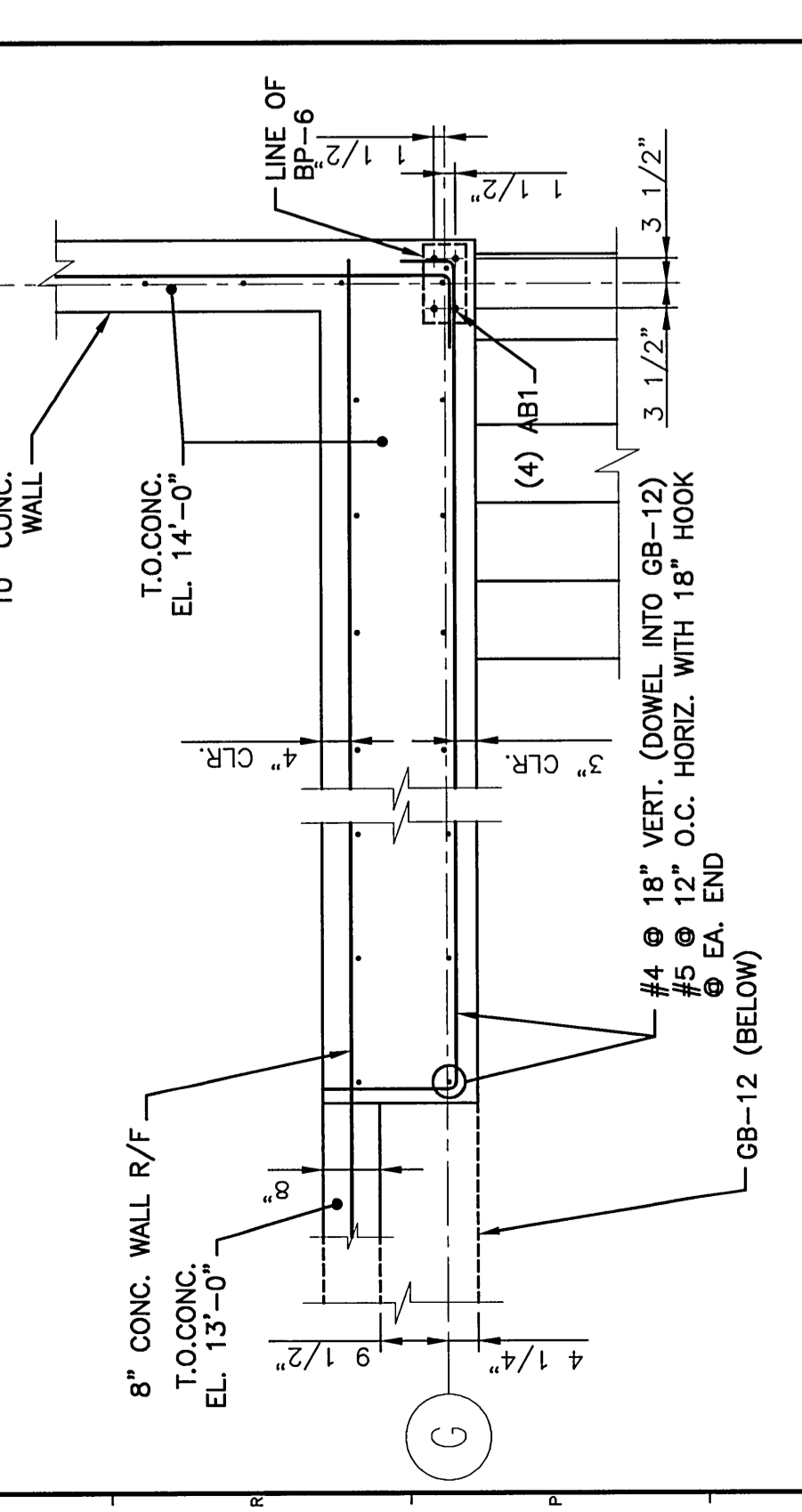
J14 SECTION
3/4"=1'-0"



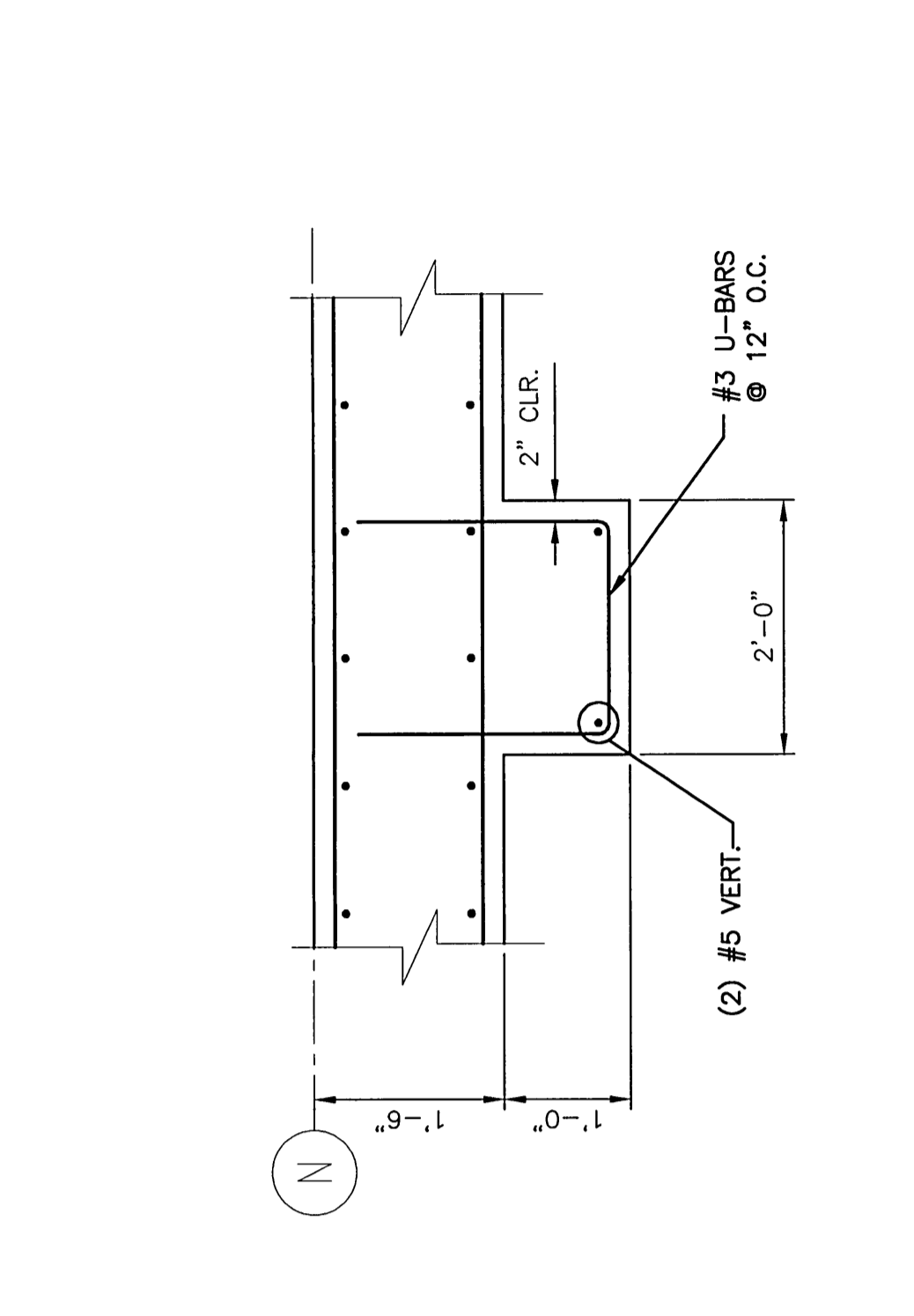
J9 SECTION
3/4"=1'-0"



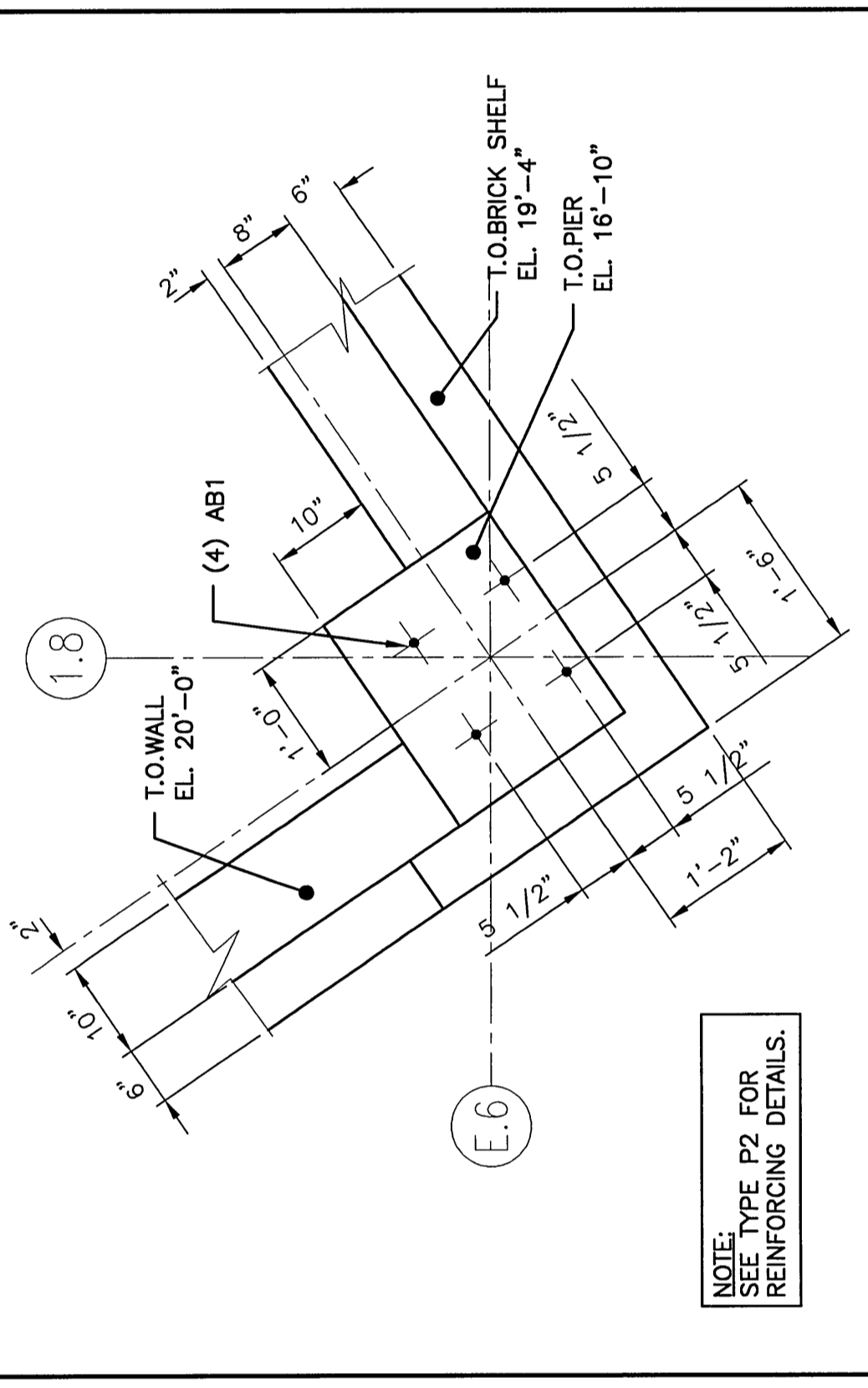
J5 ELEVATION AT GB-3A
1/2"=1'-0"



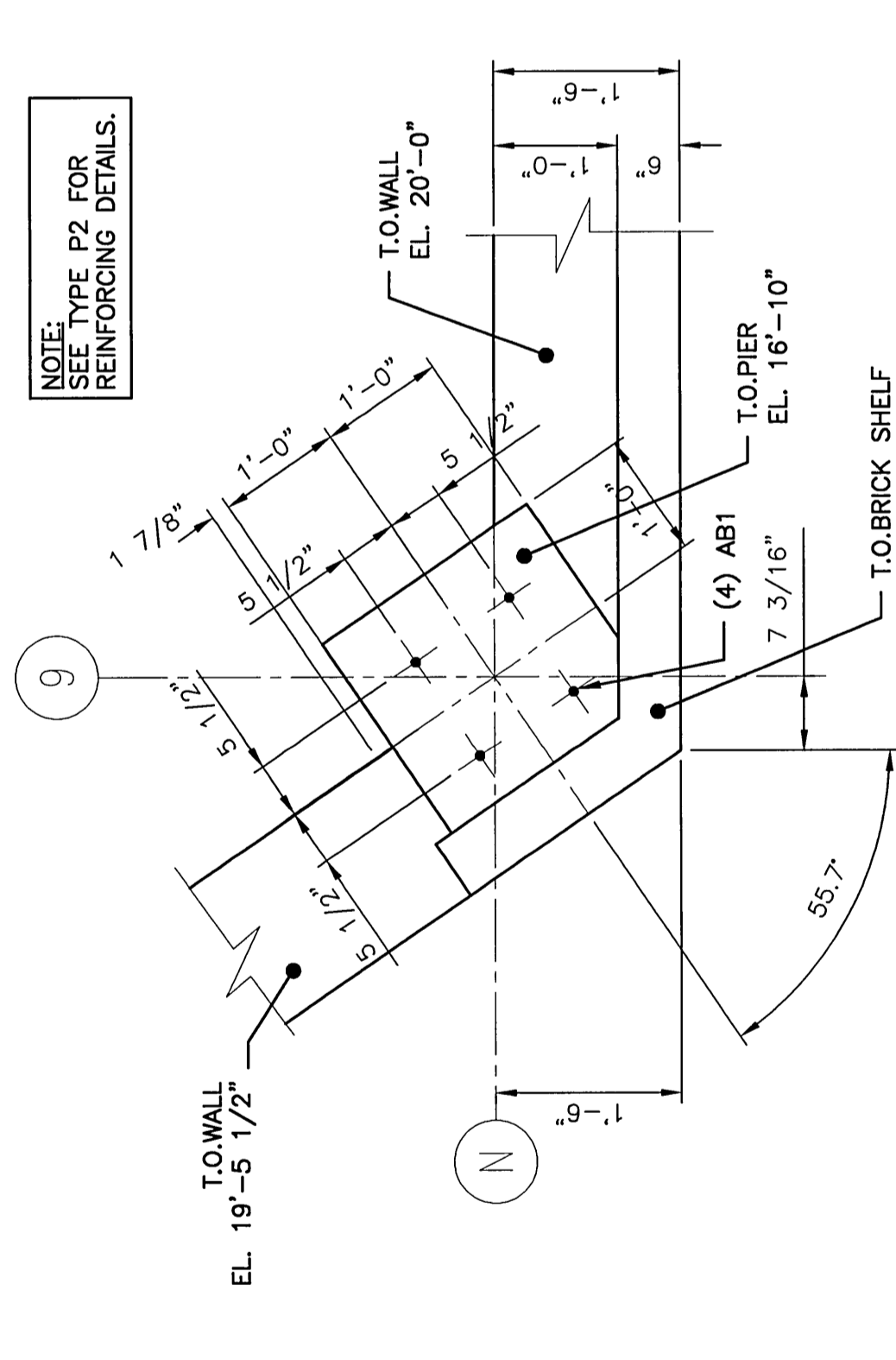
N1 DETAIL
1/2"=1'-0"



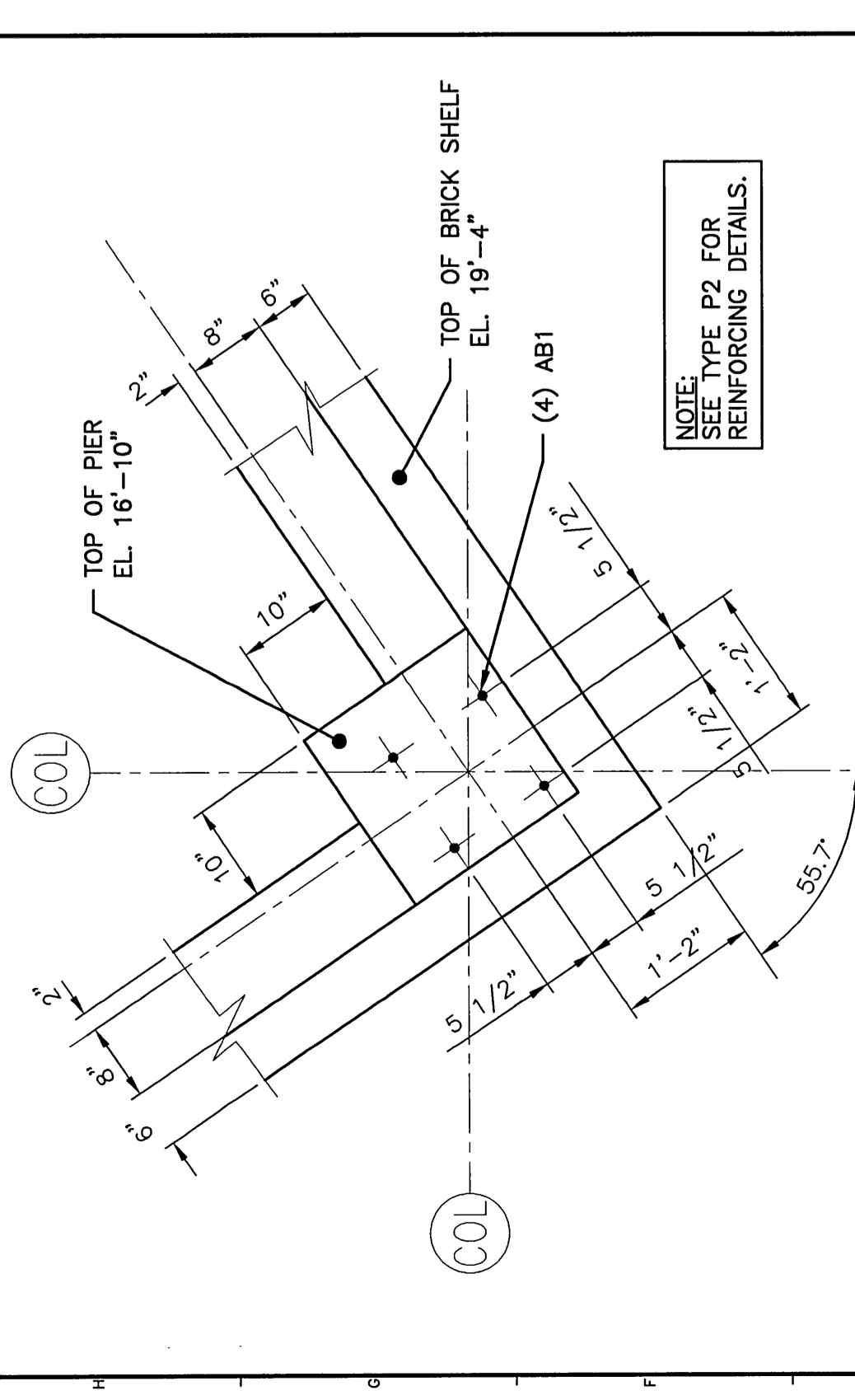
E14 DETAIL
3/4"=1'-0"



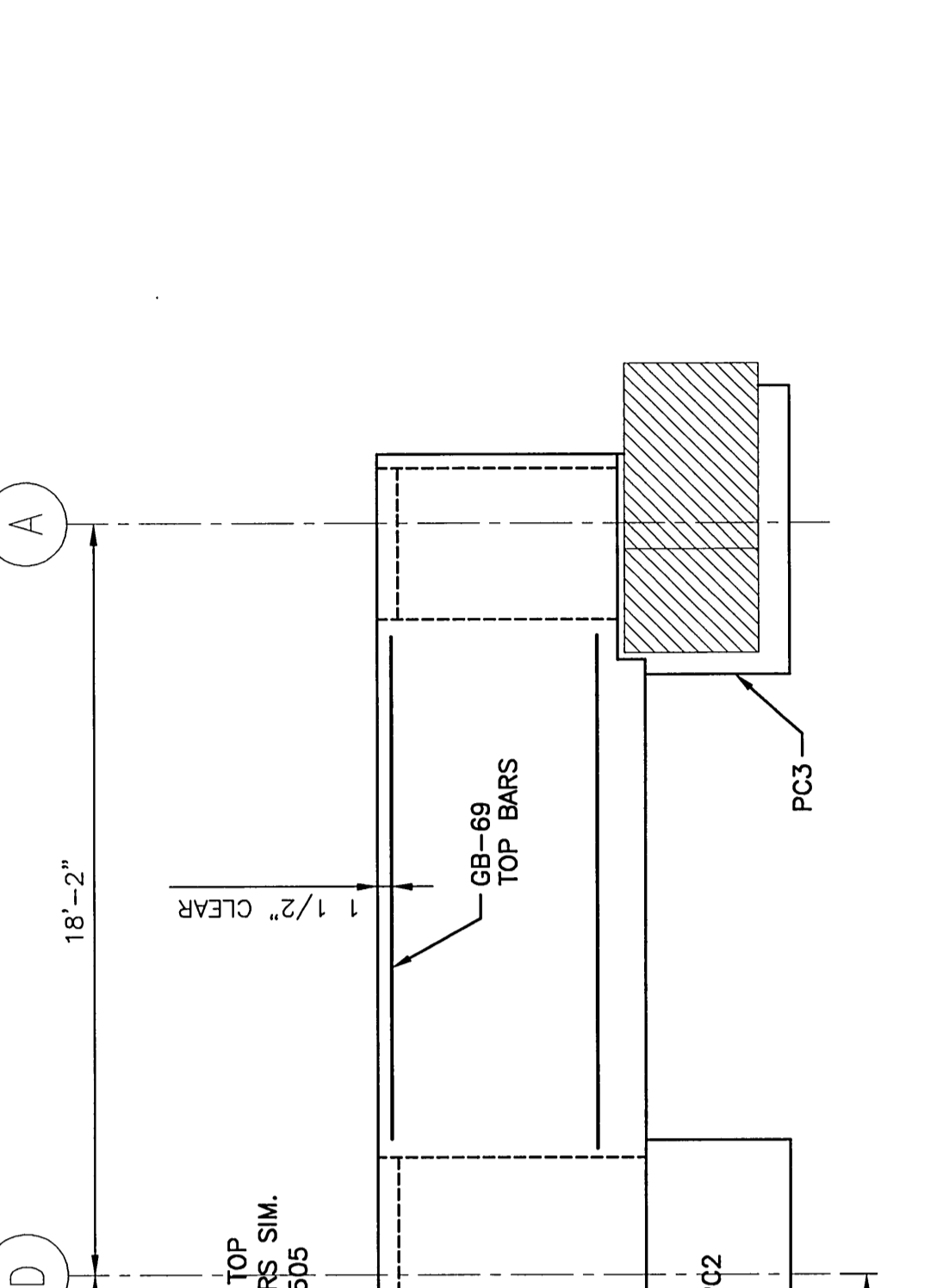
E9 DETAIL
3/4"=1'-0"



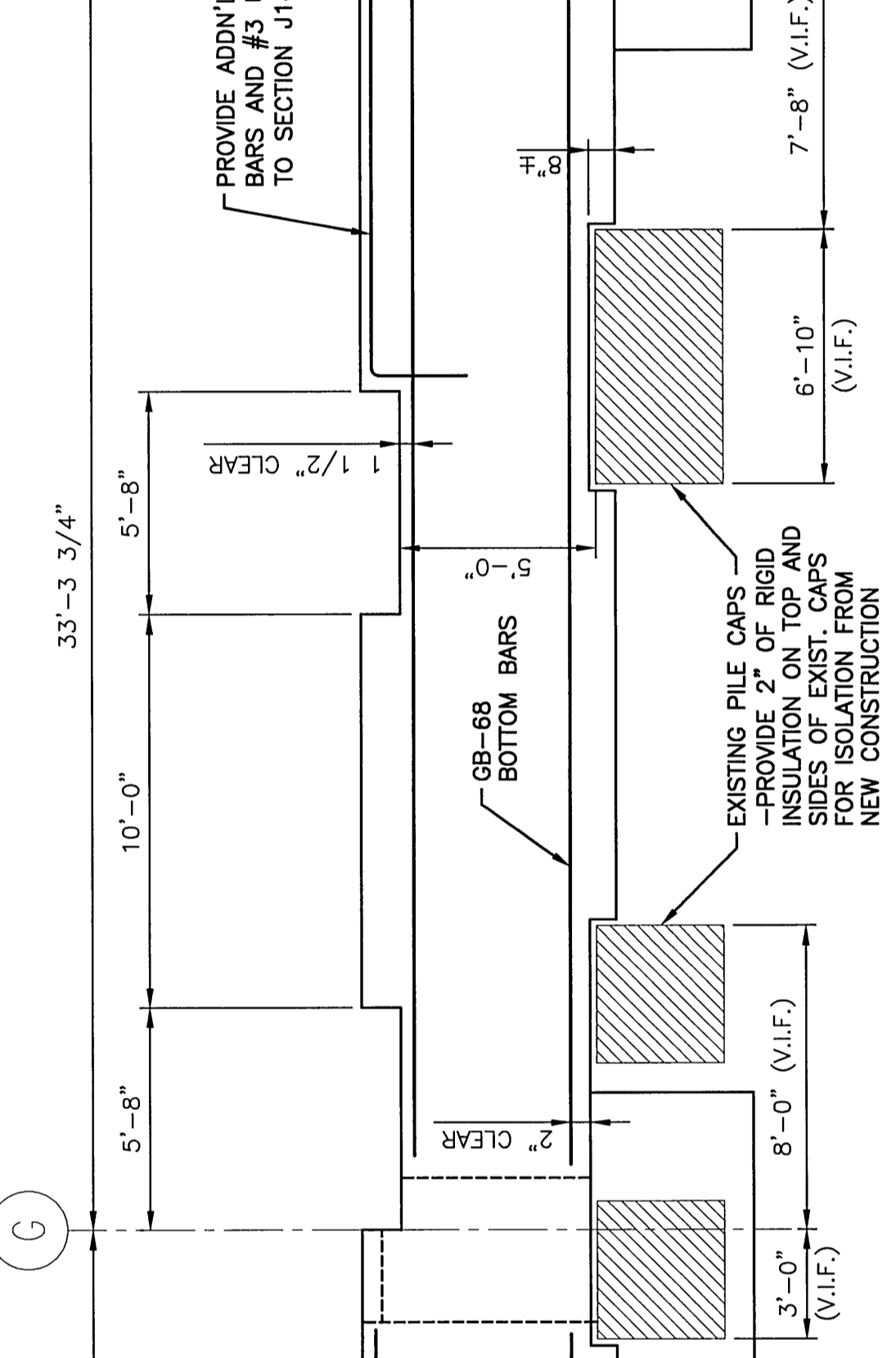
E5 DETAIL
3/4"=1'-0"



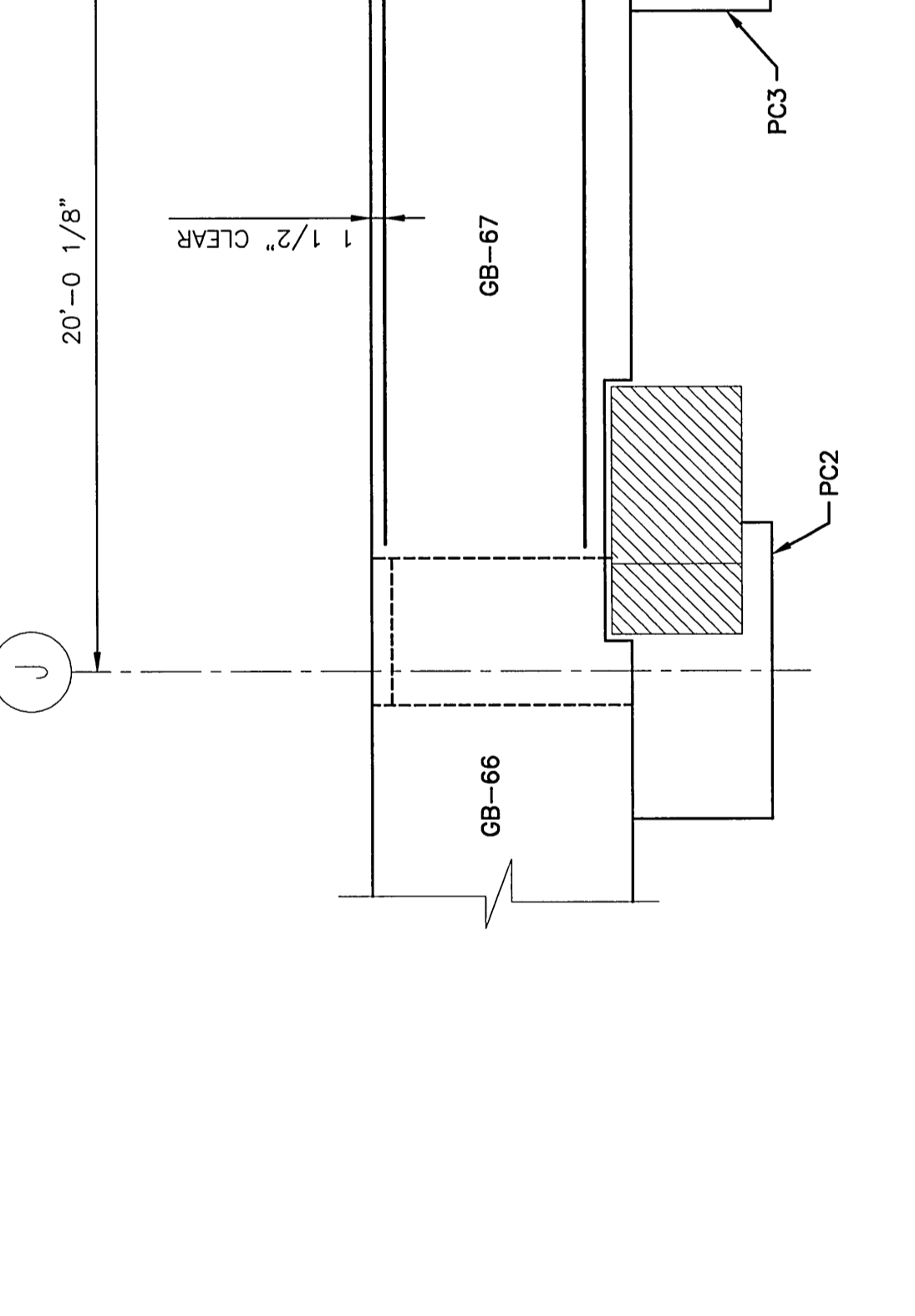
E1 DETAIL
3/4"=1'-0"



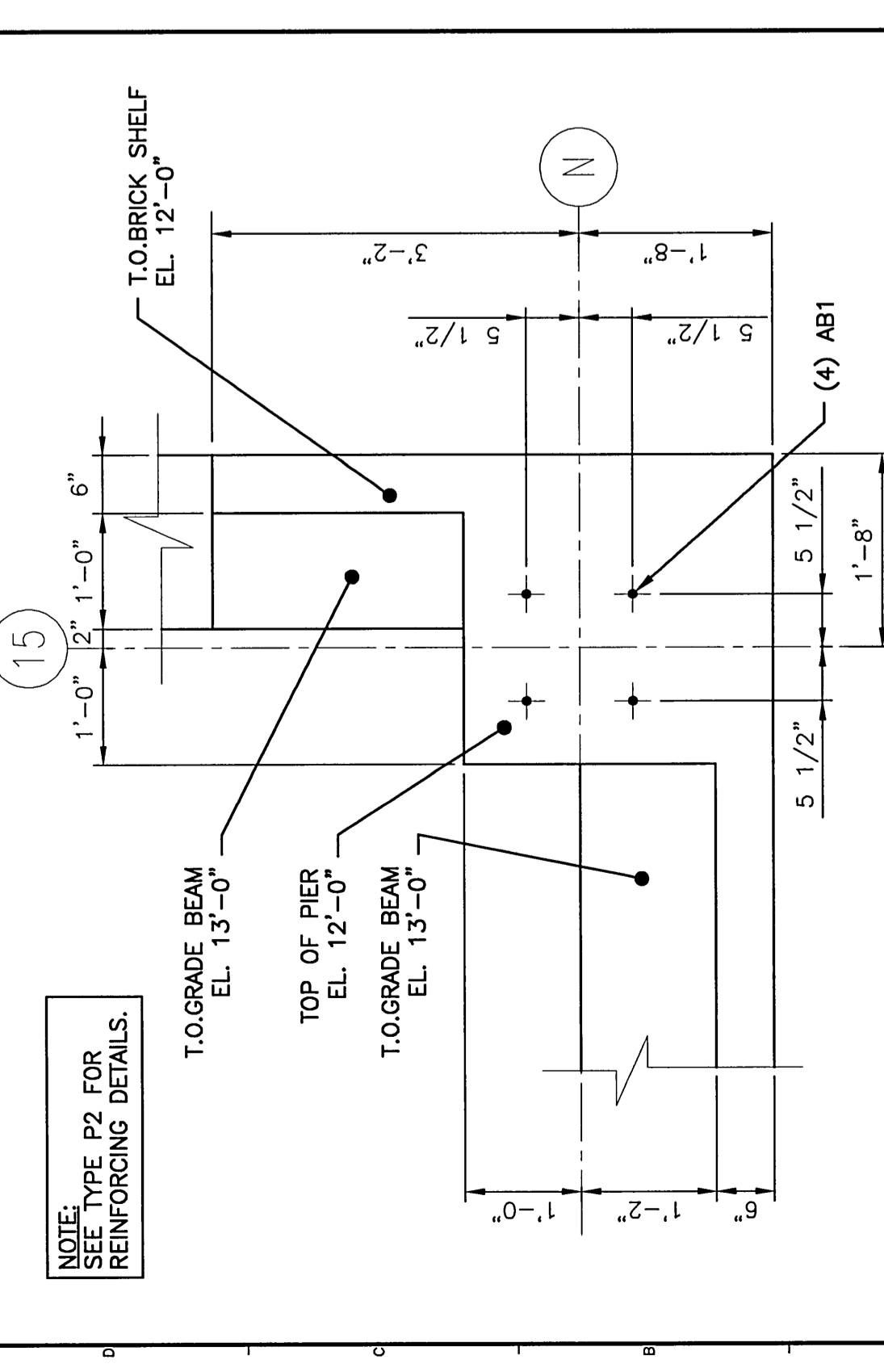
E14 DETAIL
3/4"=1'-0"



E9 DETAIL
3/4"=1'-0"



A5 GRADE BEAM ELEVATION ALONG COLUMN LINE 15
1/4"=1'-0"



A1 DETAIL
3/4"=1'-0"

ISSUED FOR CONSTRUCTION
12-15-03

REV. 0 ISSUED FOR CONSTRUCTION 12-15-03
DESCRIPTION DATE

CURRENT ISSUE STATUS:

SM RT
ARCHITECTURE ENGINEERING PLANNING
144 Fore Street P.O. Box 618
Portland, Maine 04104
tel. (207) 772-3846
fax. (207) 772-1070

PROJECT: **FORE STREET OFFICE BUILDING**
PORTLAND, MAINE

SHEET TITLE: **FOUNDATION SECTIONS AND DETAILS**

SHEET NUMBER: 12-15-03
PROJECT NUMBER: SB505