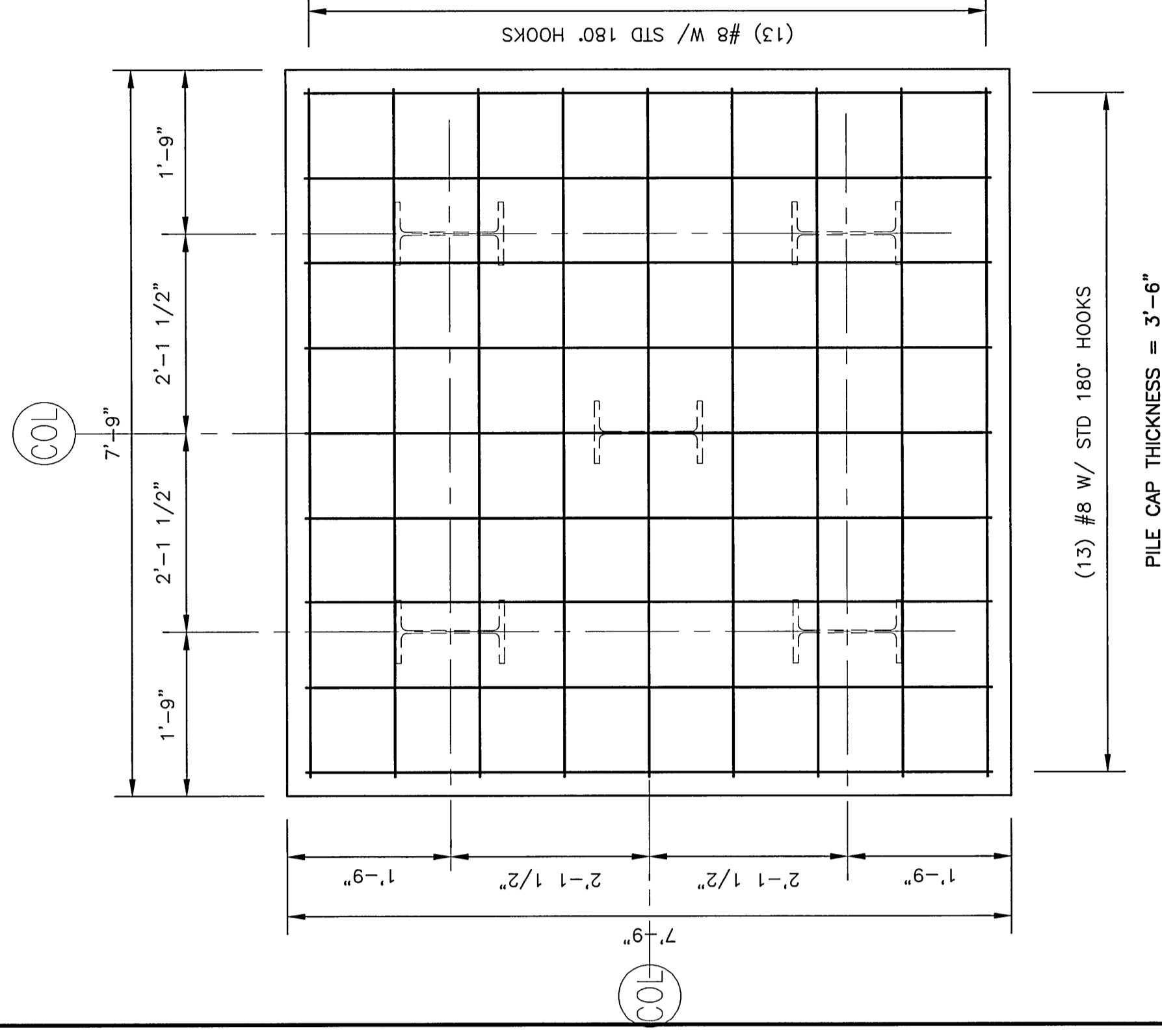


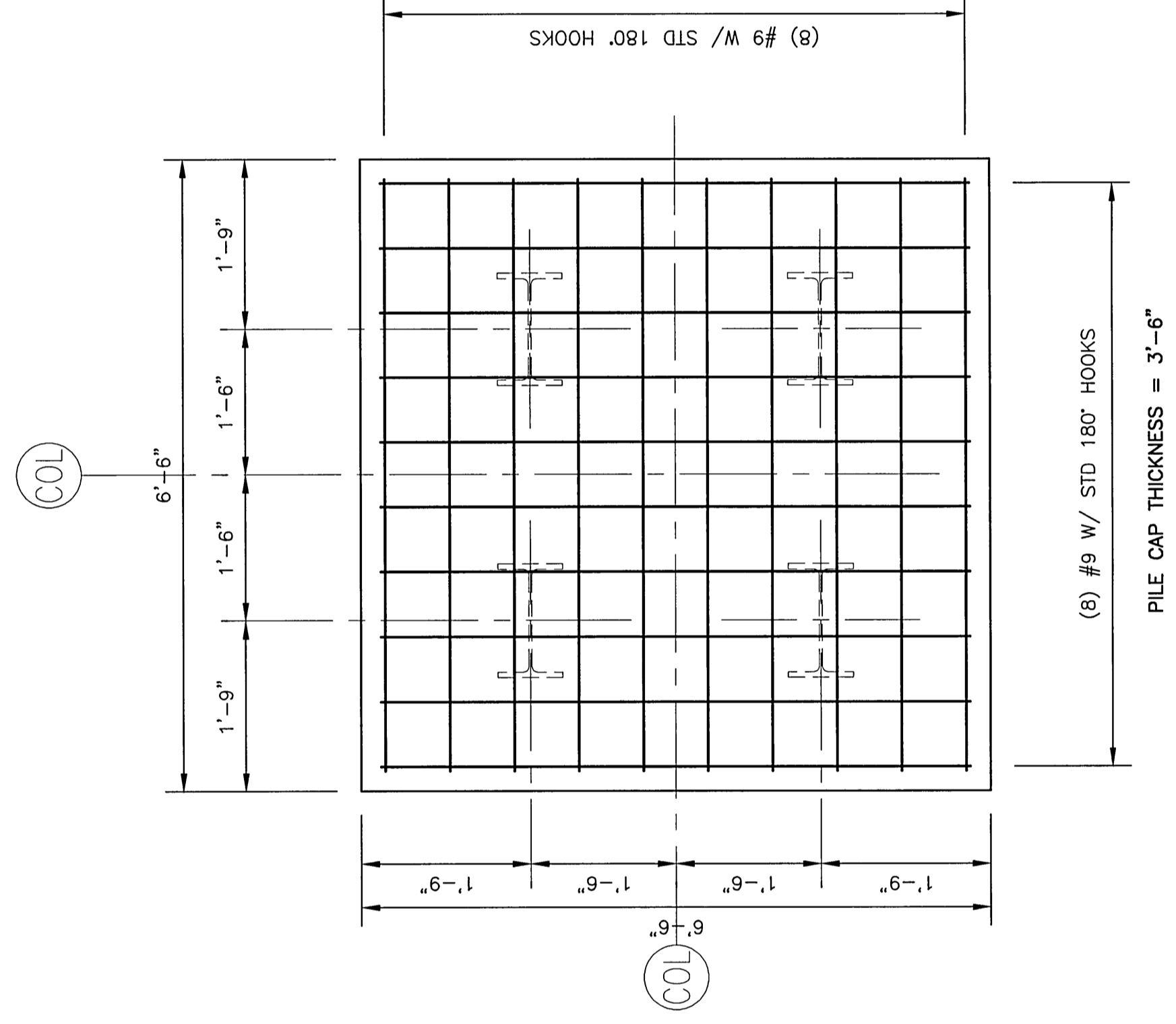
NOTE:

1. SEE S6001 FOR STRUCTURAL GENERAL NOTES.



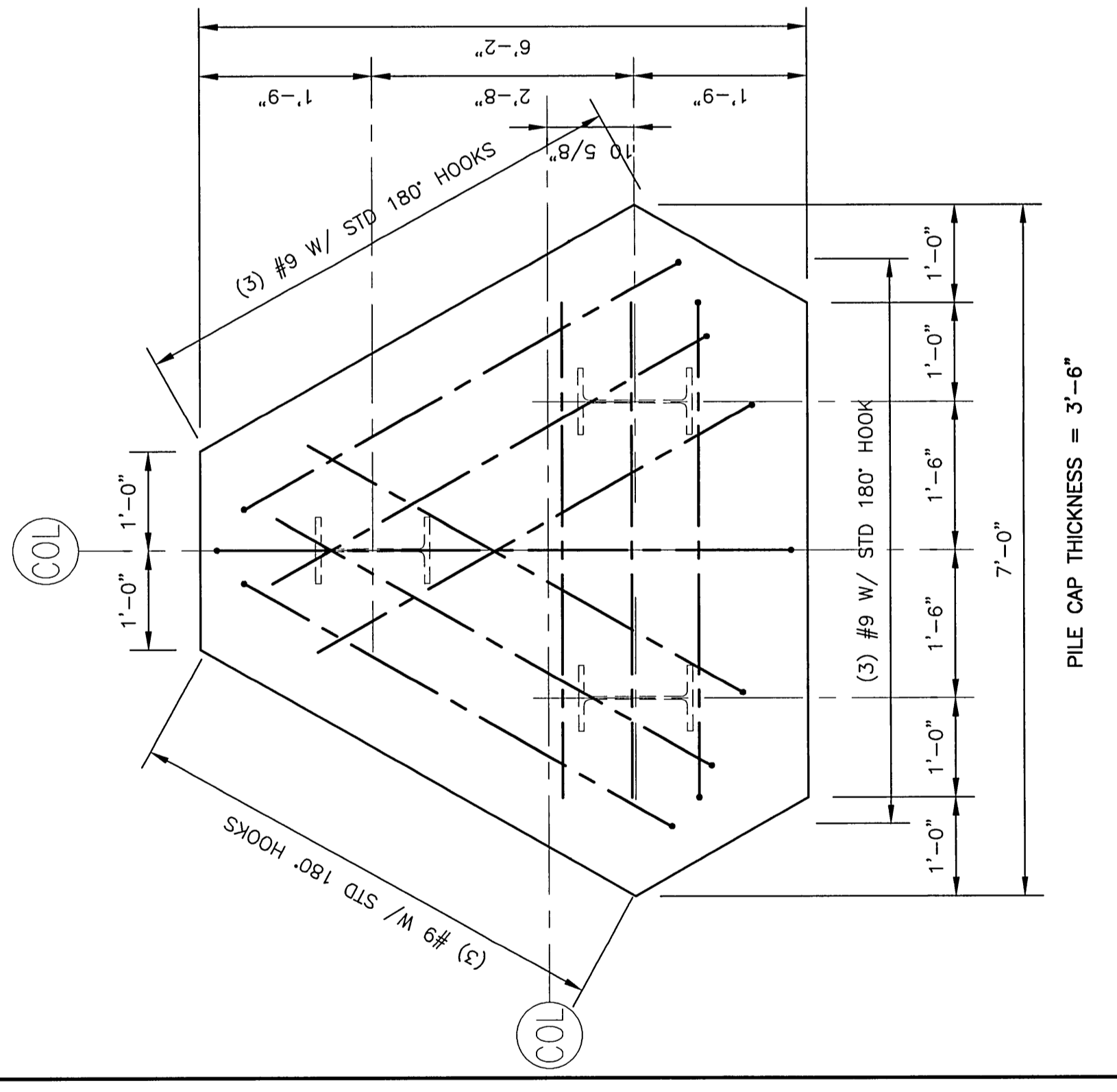
J14 DETAIL AT PILE CAP PC-5

3/4"=1'-0"



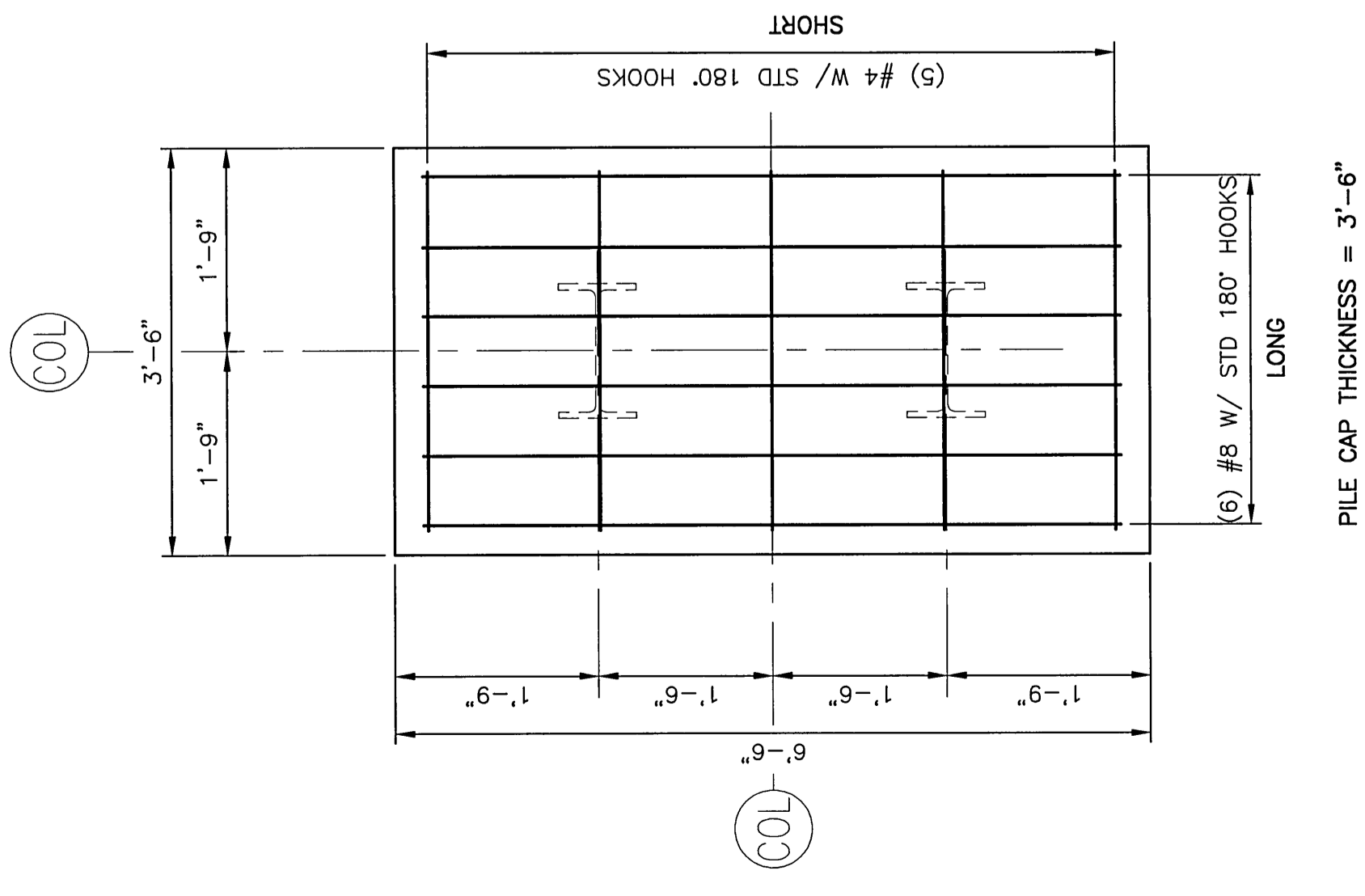
J9 DETAIL AT PILE CAP PC-4

3/4"=1'-0"



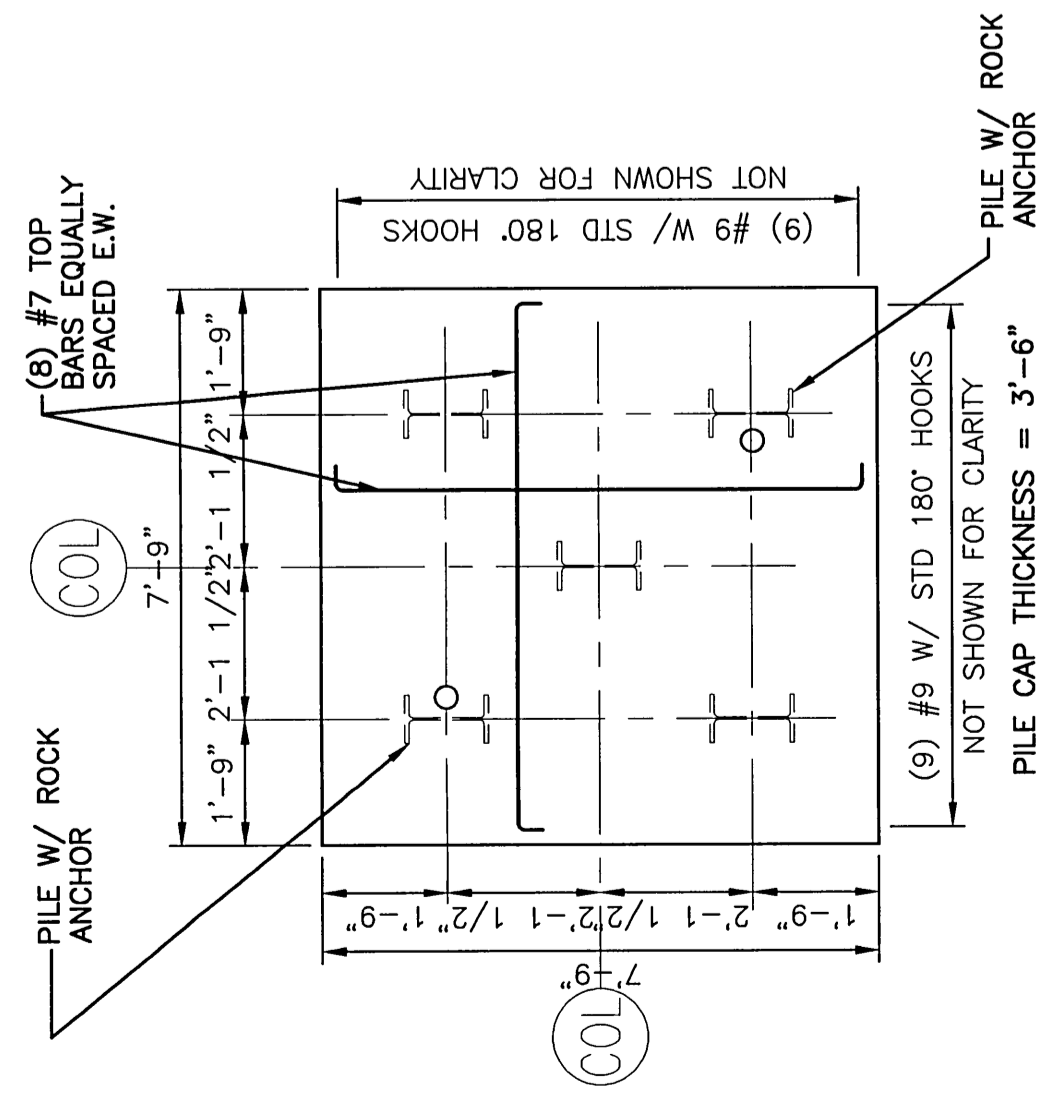
J5 DETAIL AT PILE CAP PC-3

3/8"=1'-0"



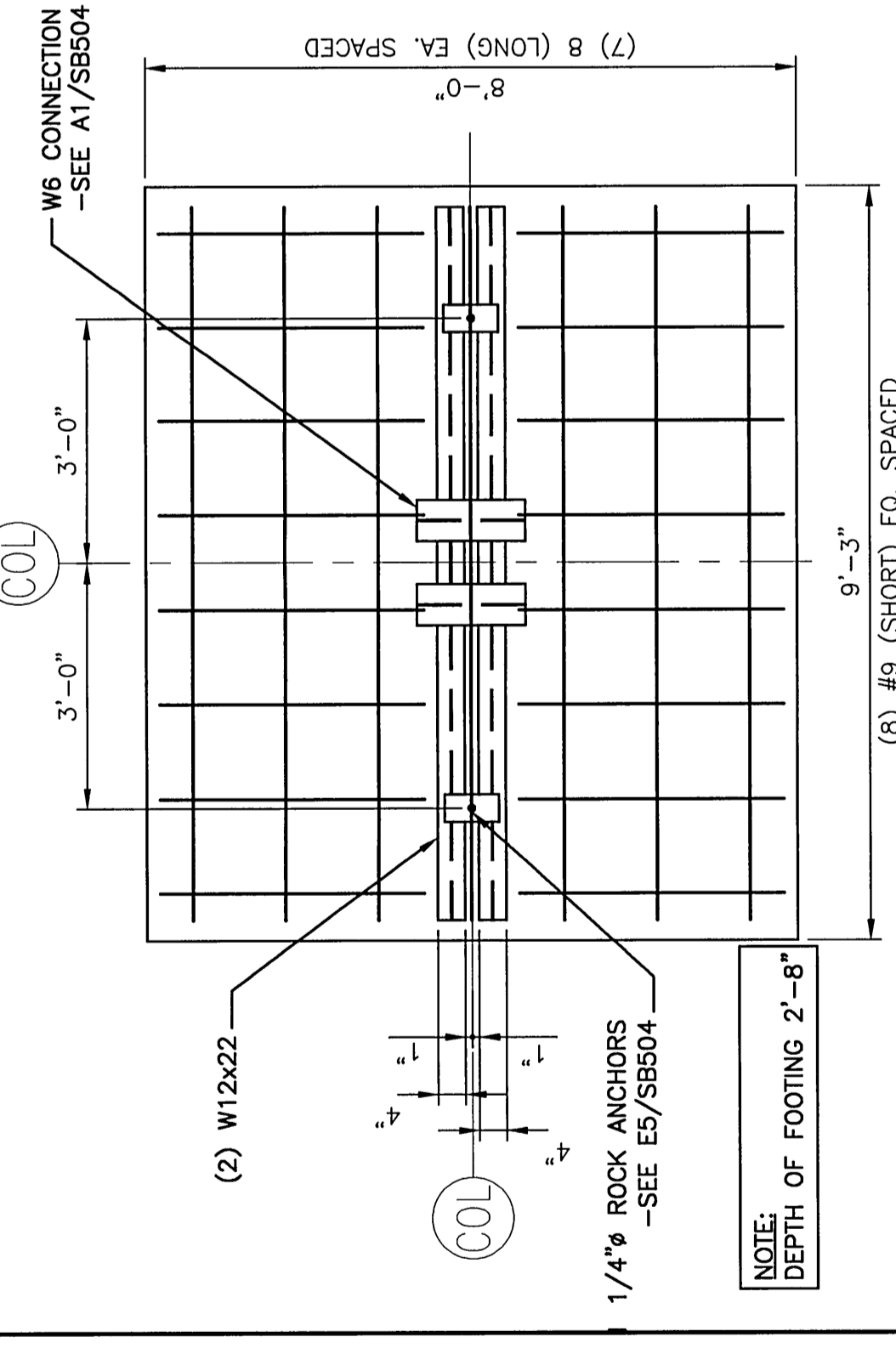
J1 DETAIL AT PILE CAP PC-2

3/4"=1'-0"



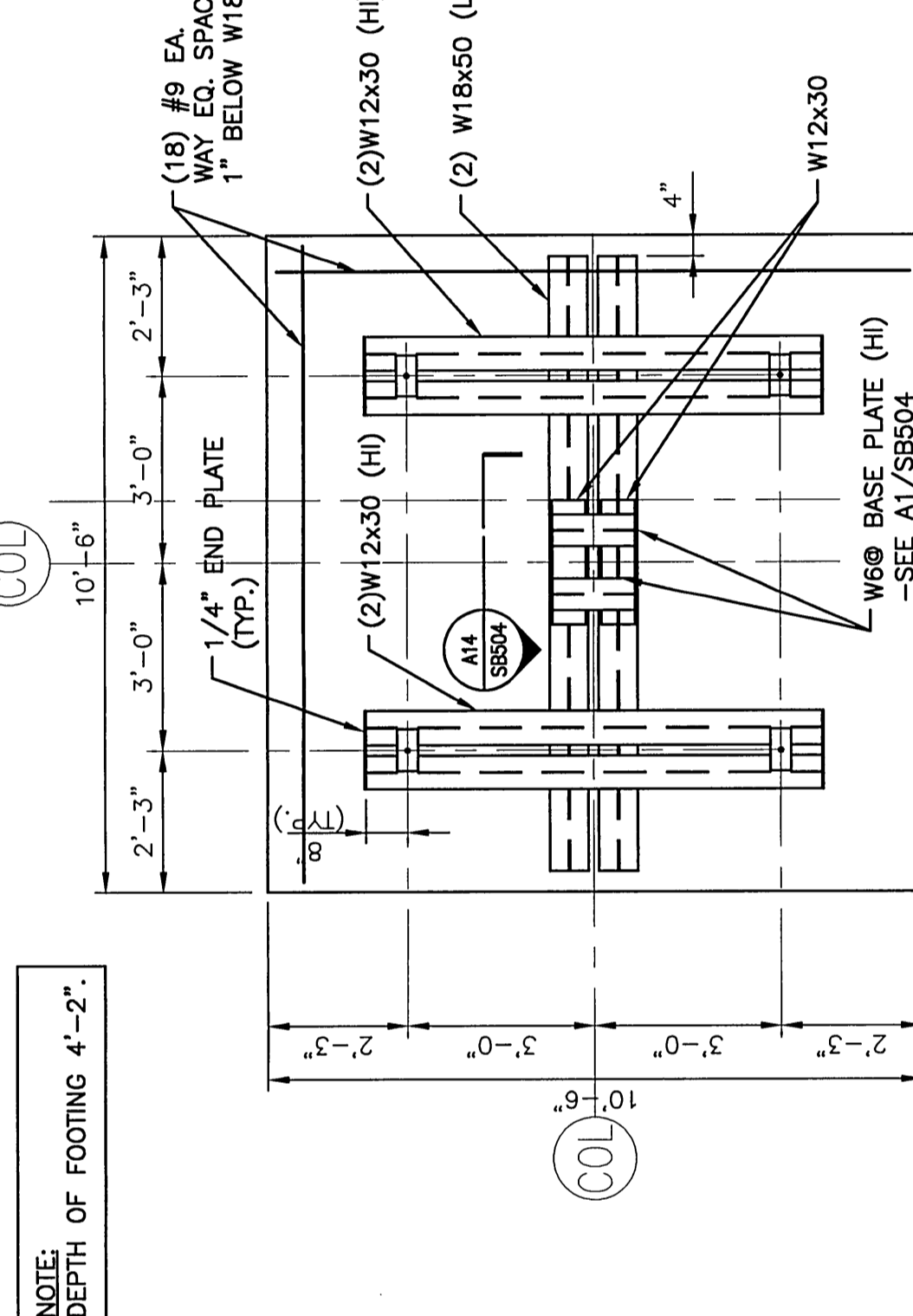
E1 DETAIL AT PILE CAP PC5-SP

3/8"=1'-0"



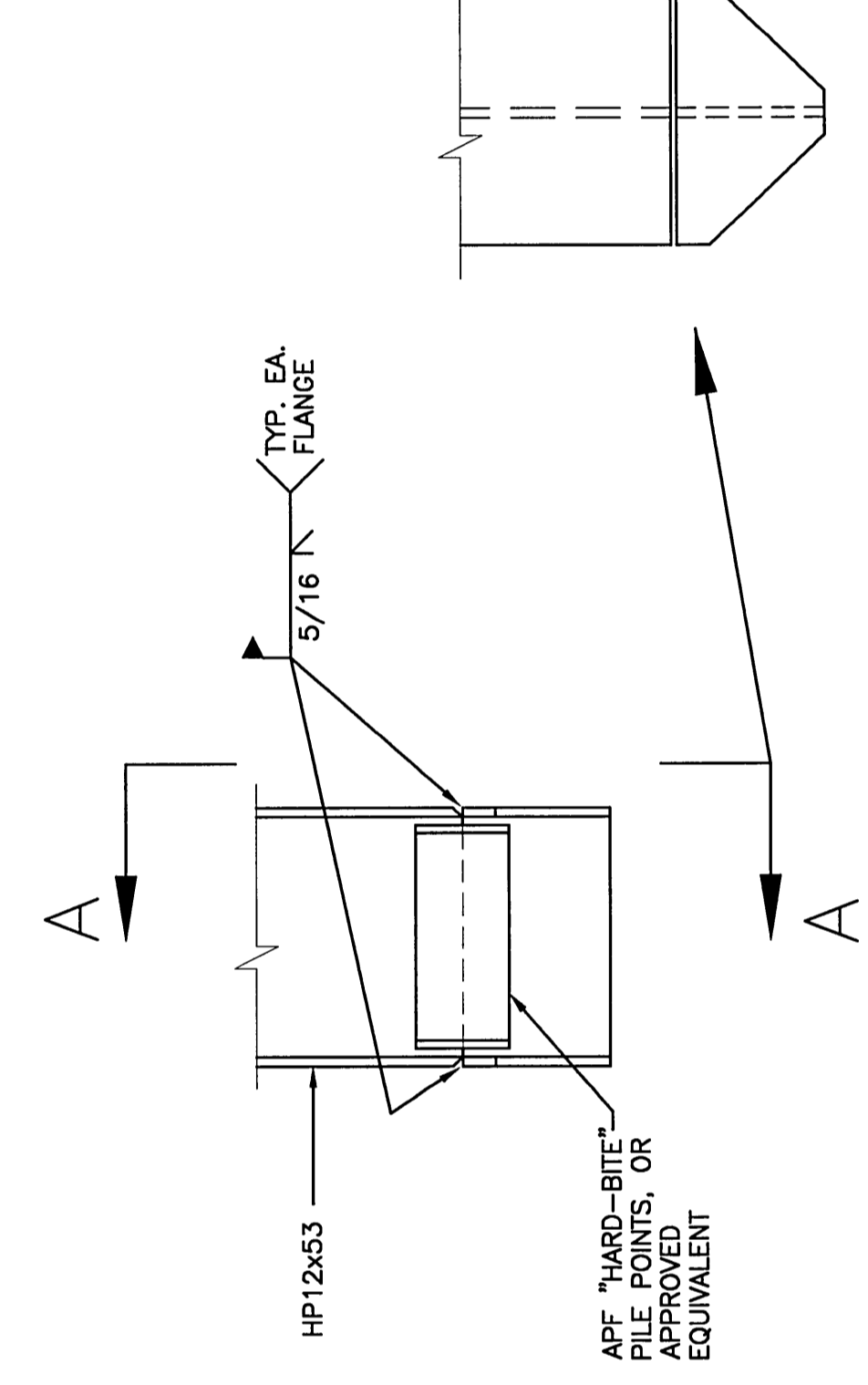
E5 DETAIL - FG98

1/2"=1'-0"



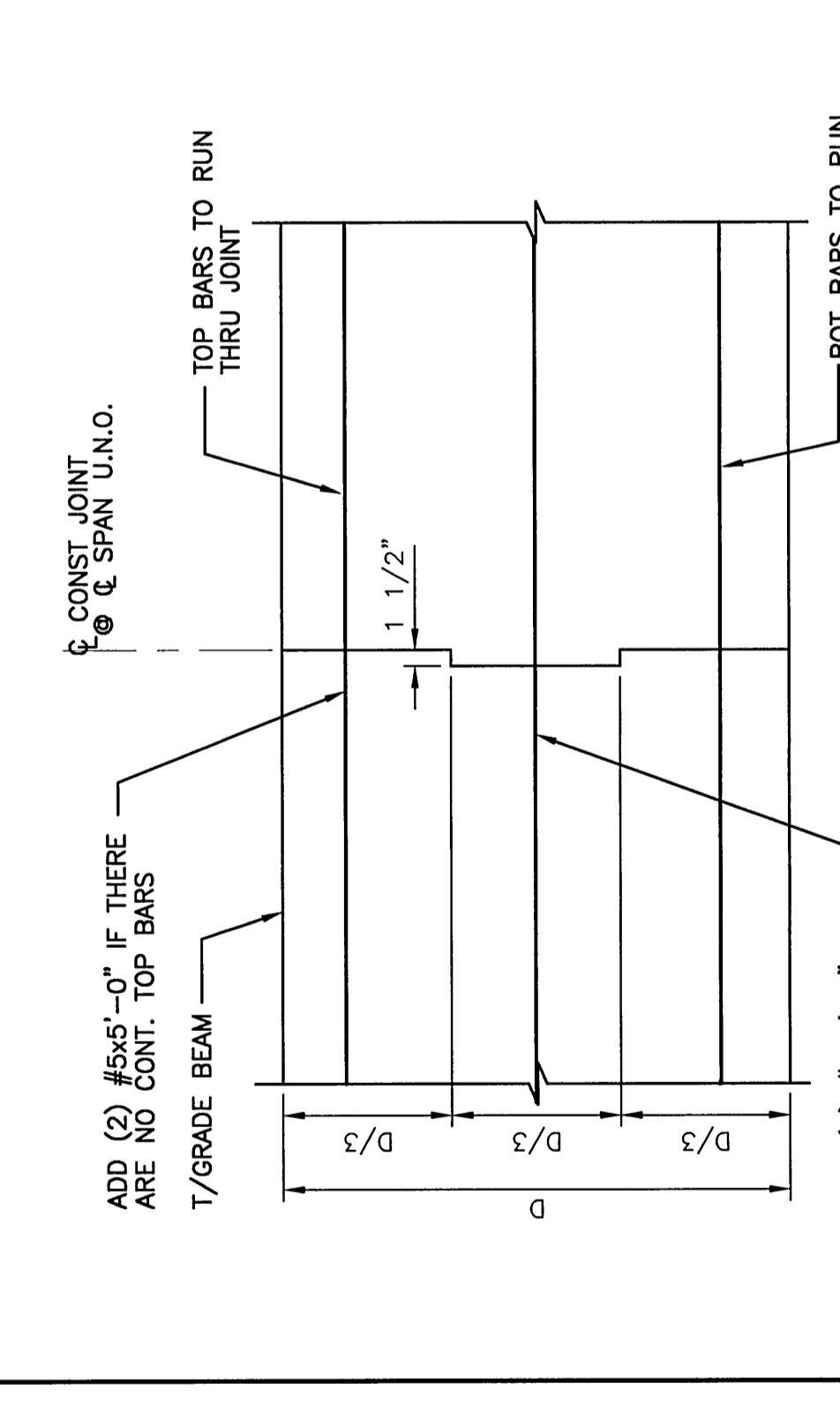
E9 DETAIL - FG10.5

3/8"=1'-0"



A9 TYP. PILE POINT ATTACHMENT DETAIL

1 1/2"=1'-0"



A5 CONSTRUCTION JOINT THRU GRADE BEAM

3/4"=1'-0"

SPREAD FOOTING SCHEDULE	
F3	3'-0"x3'-0"x1'-4" (4) #5 EA. WAY
F5	5'-0"x5'-0"x1'-4" (6) #5 EA. WAY
F7	7'-0"x7'-0"x2'-4" (9) #6 EA. WAY
FB.5	8'-6"x8'-6"x2'-3" (7) #8 EA. WAY

A14 SPREAD FOOTING SCHEDULE

3/4"=1'-0"

ISSUED FOR CONSTRUCTION
12-15-03

REV. 0
ISSUED FOR CONSTRUCTION
DESCRIPTION
DATE
12-15-03



ARCHITECTURE ENGINEERING PLANNING
144 Fore Street P.O. Box 618
Portland, Maine 04104
tel. (207) 772-3846
fax. (207) 772-1070

FORE STREET
OFFICE BUILDING
PORTLAND, MAINE

FOUNDATION
SECTIONS AND DETAILS

SHEET TITLE: FOUNDATION SECTIONS AND DETAILS
SCALE: AS NOTED
DATE: 12-15-03
PROJECT NO.: SB502-03087
PROJECT No.: 03087

PROJECT MANAGER: JULI
JOB CAP/DRANN: RUL/JSS
DATE OF RECORD: JULI
SMRT CAD FILE: SB502-03087
SHEET No.: SB502