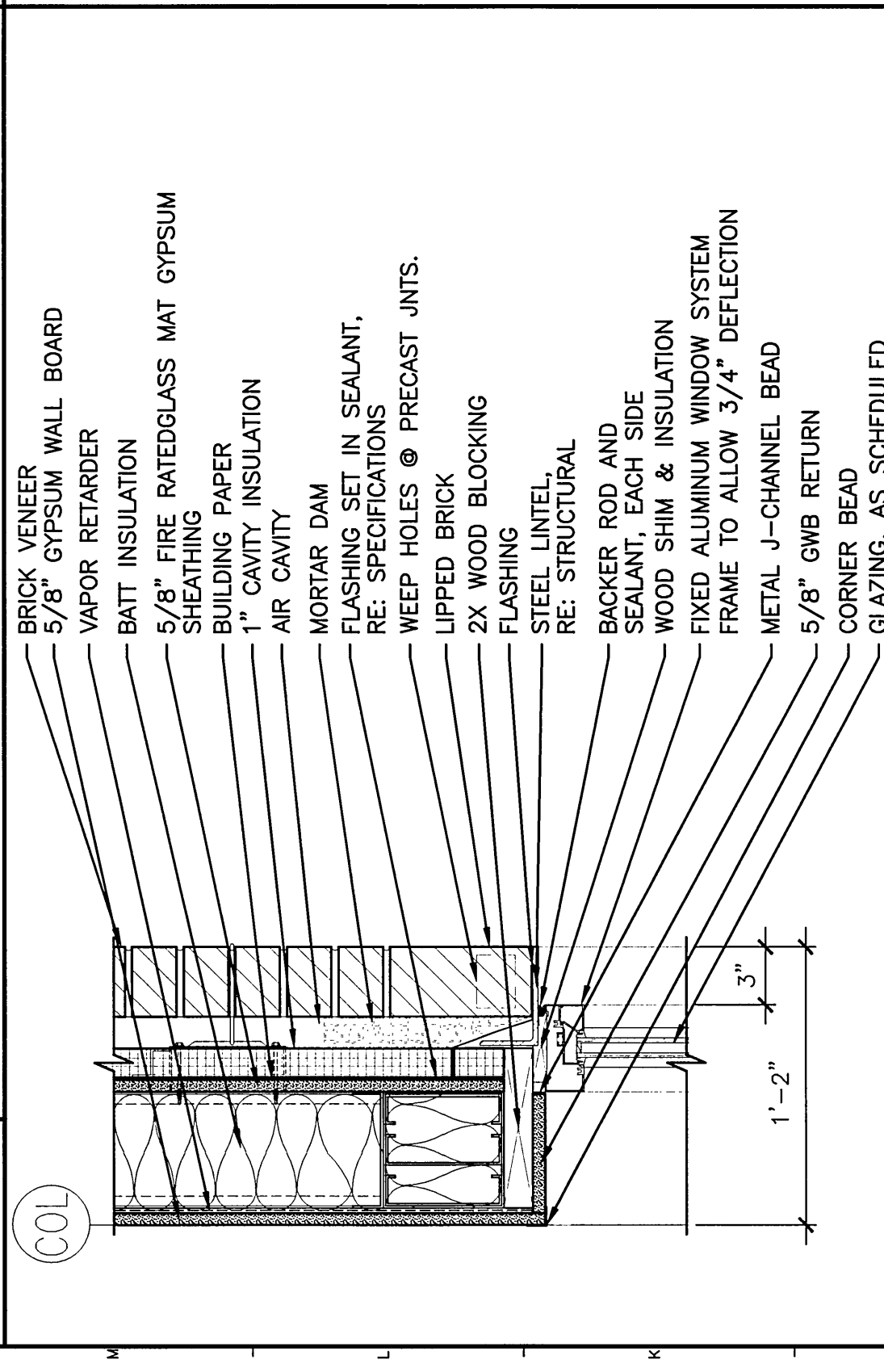
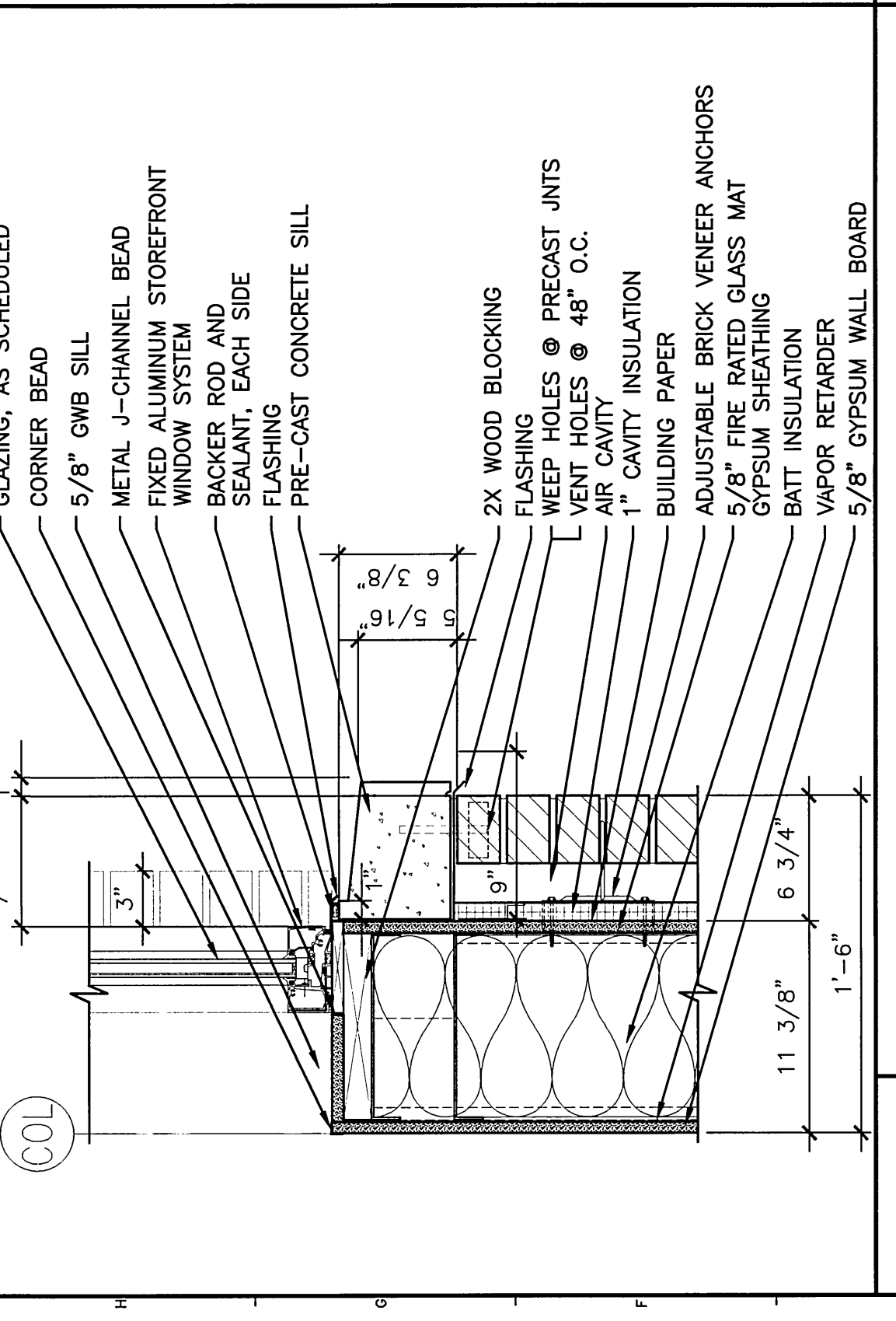


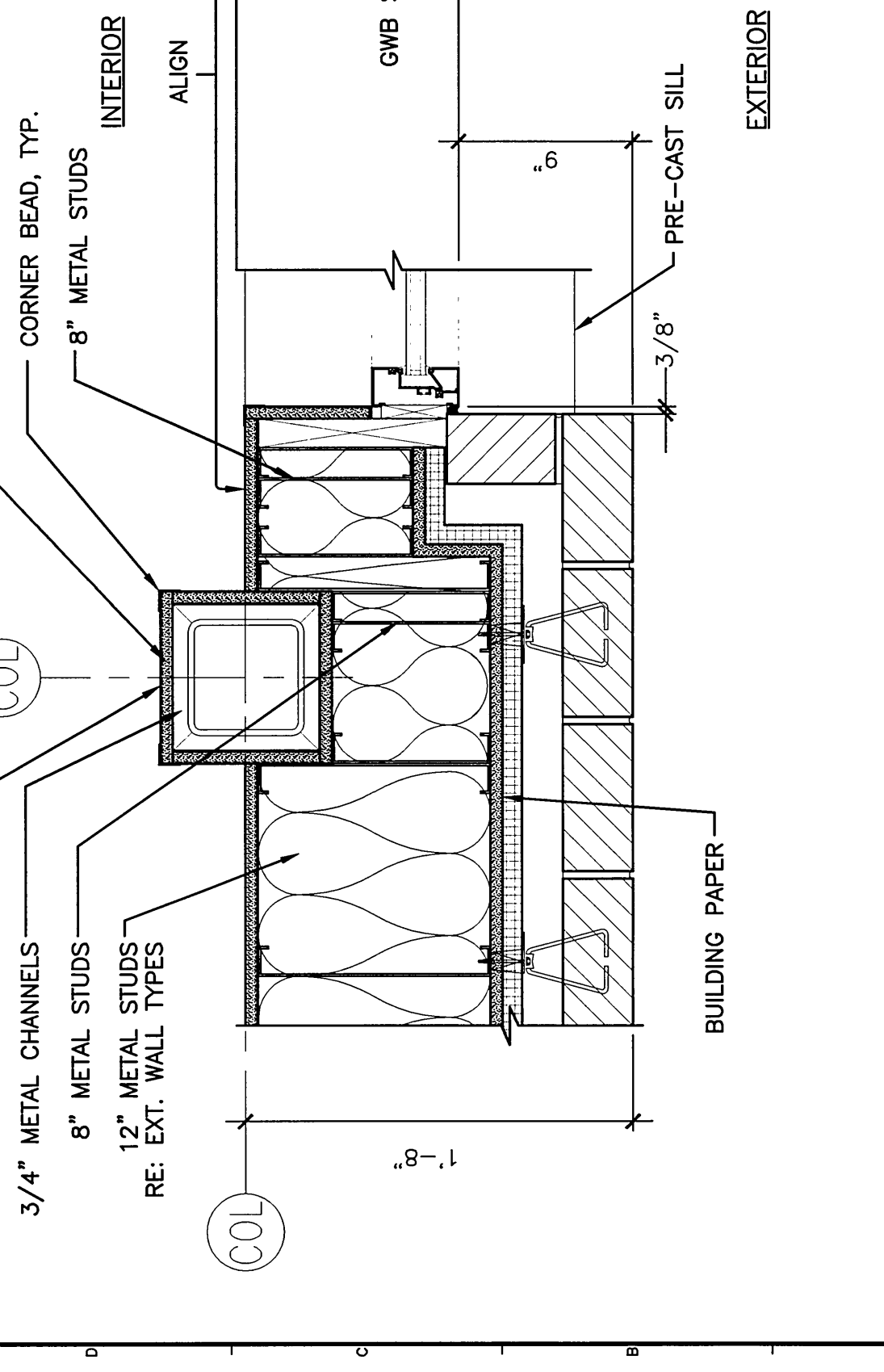
N1 HEAD, JAMB, SILL DETAILS @ SPANDREL GLASS
1-1/2" = 1'-0"



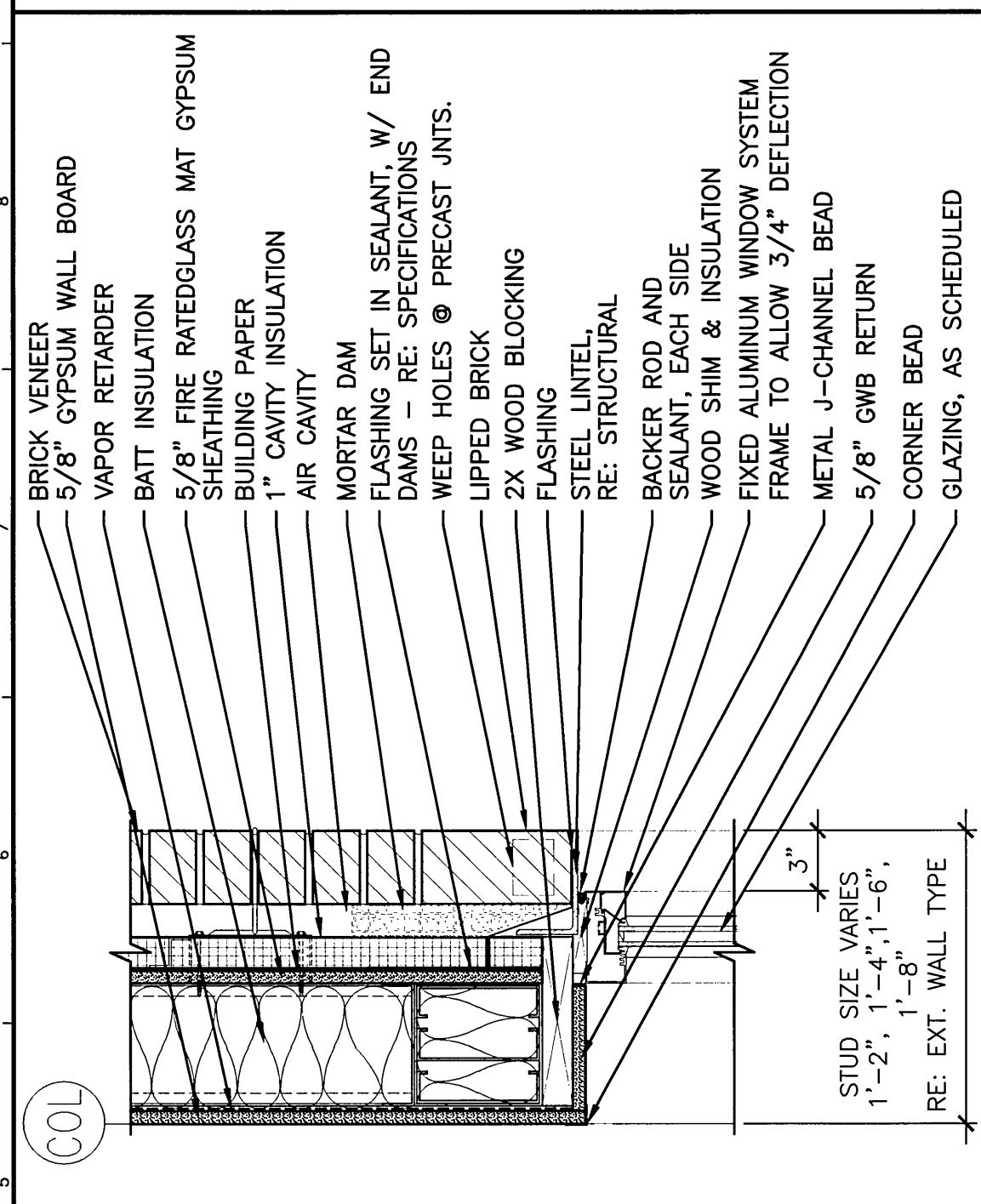
J1 HEAD DETAIL
1-1/2" = 1'-0"



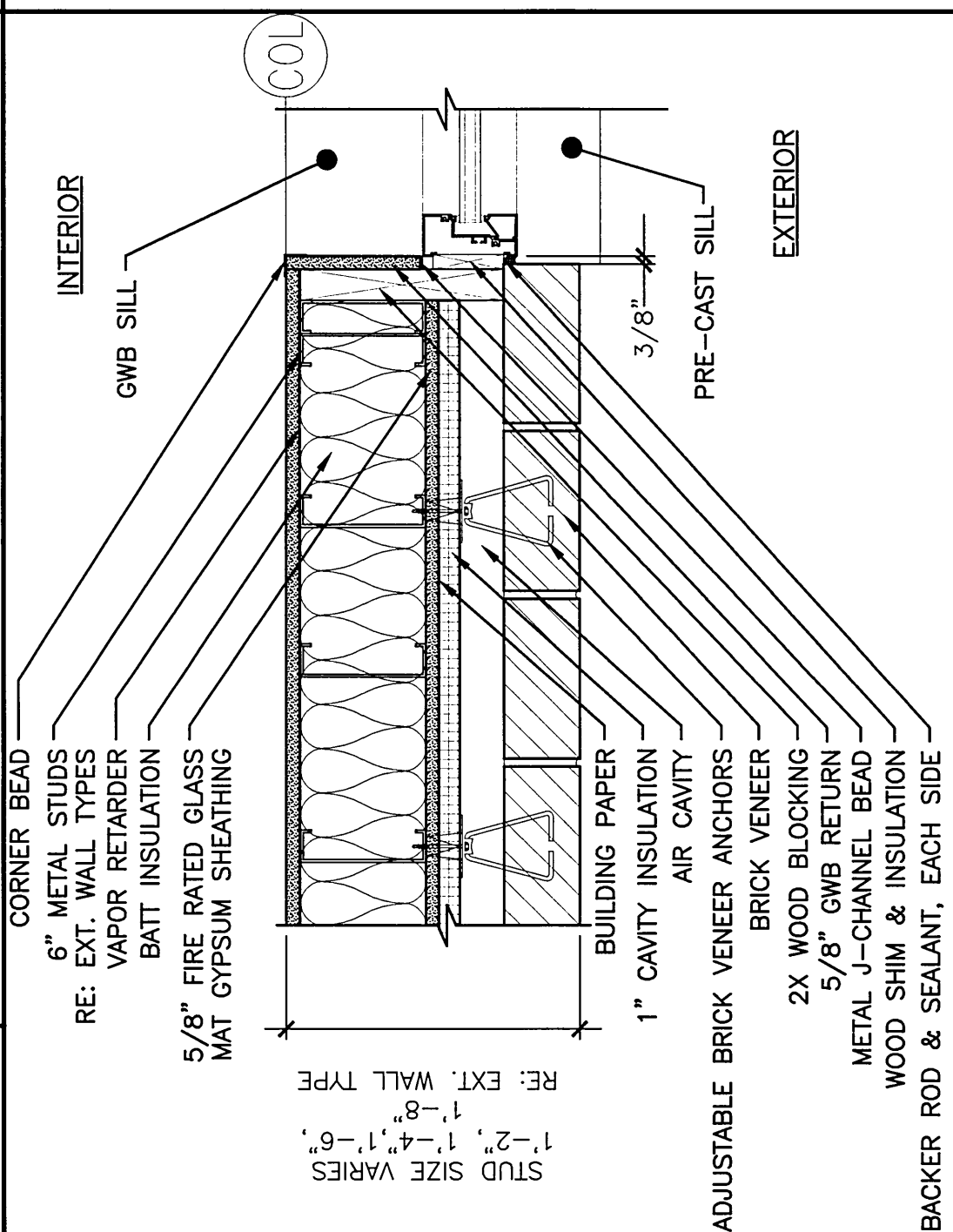
E1 SILL DETAIL
1-1/2" = 1'-0"



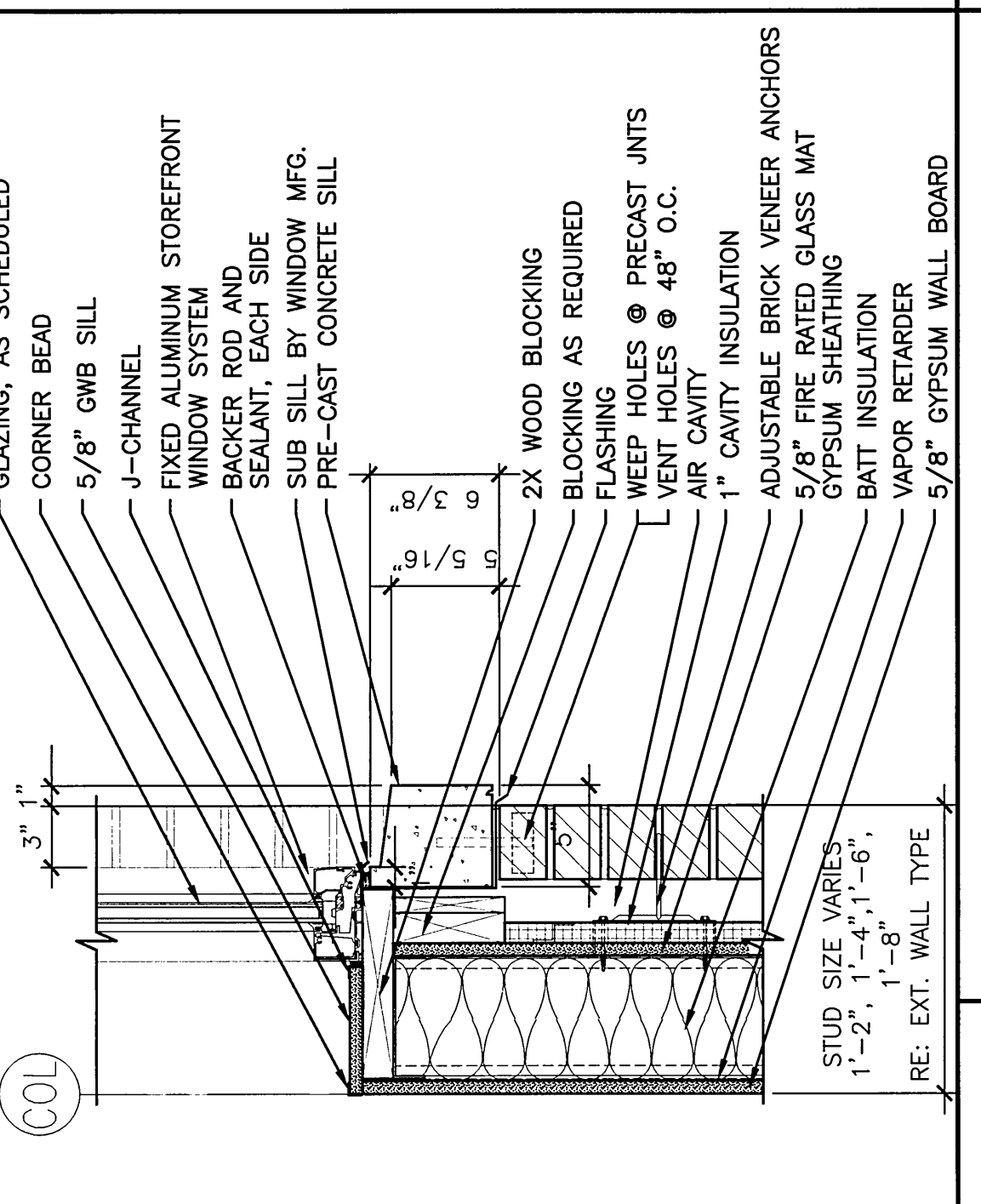
A1 JAMB DETAIL
1-1/2" = 1'-0"



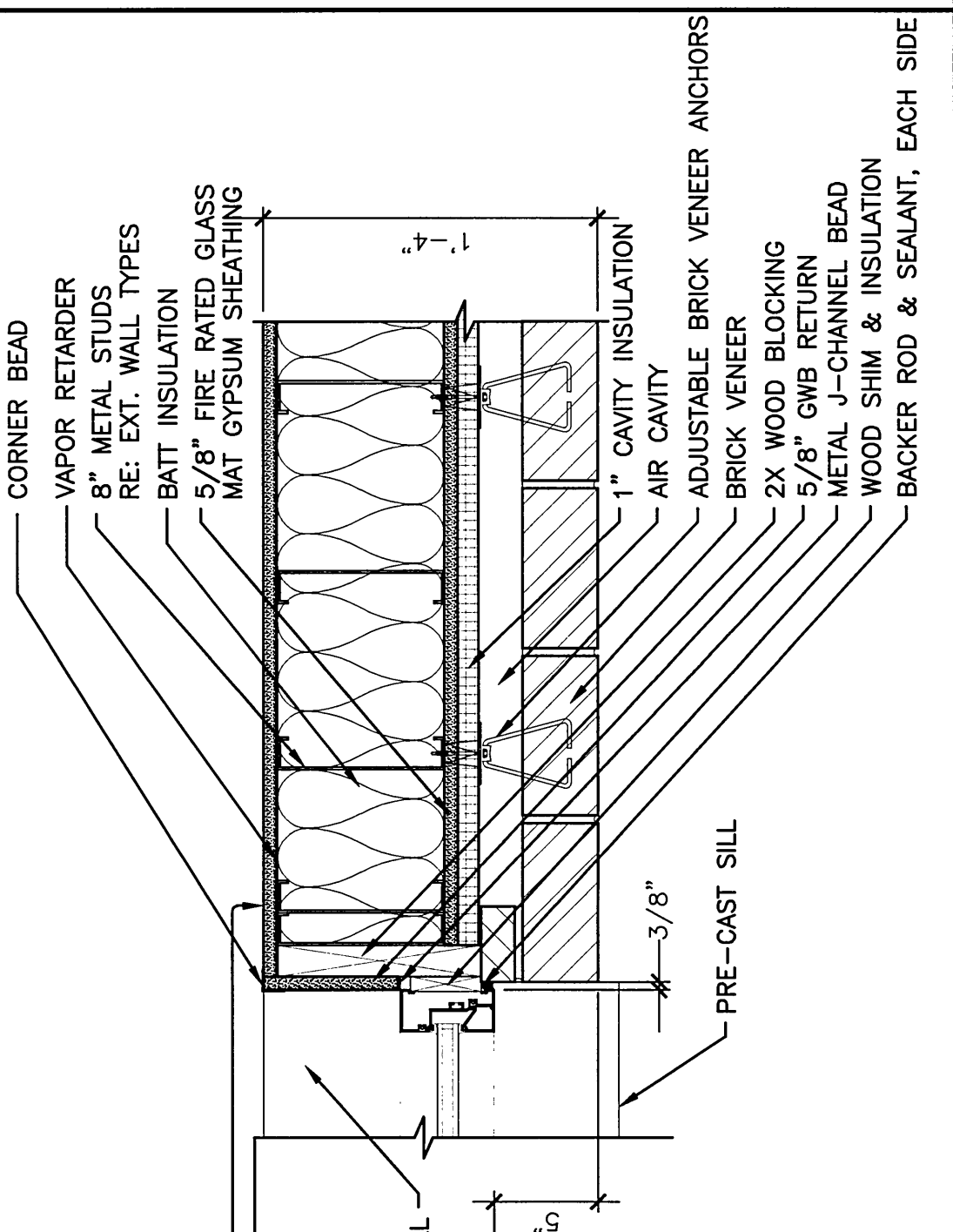
N5 HEAD DETAIL
1-1/2" = 1'-0"



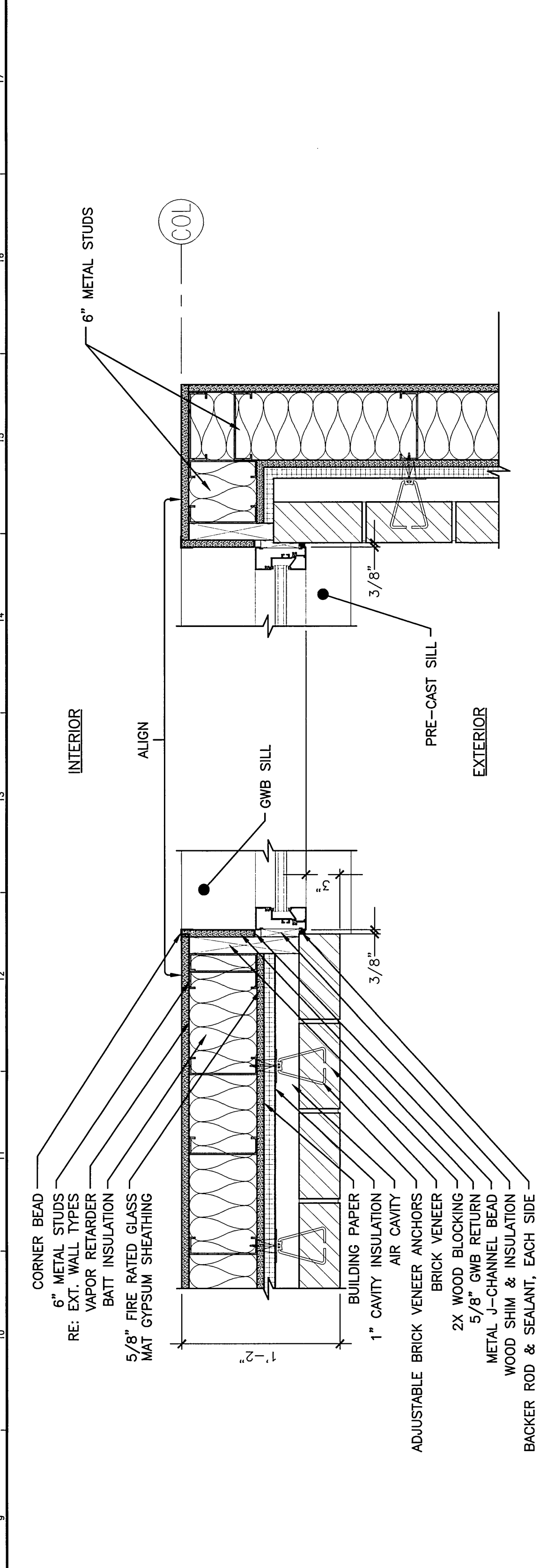
J5 JAMB DETAIL
1-1/2" = 1'-0"



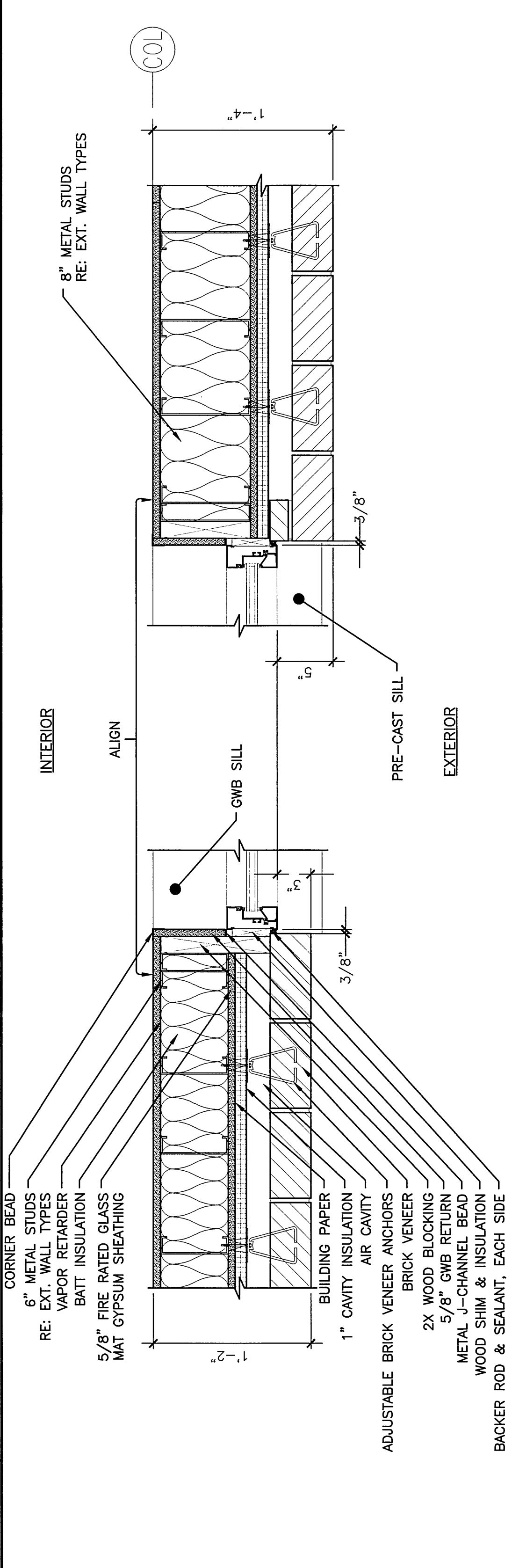
E5 SILL DETAIL
1-1/2" = 1'-0"



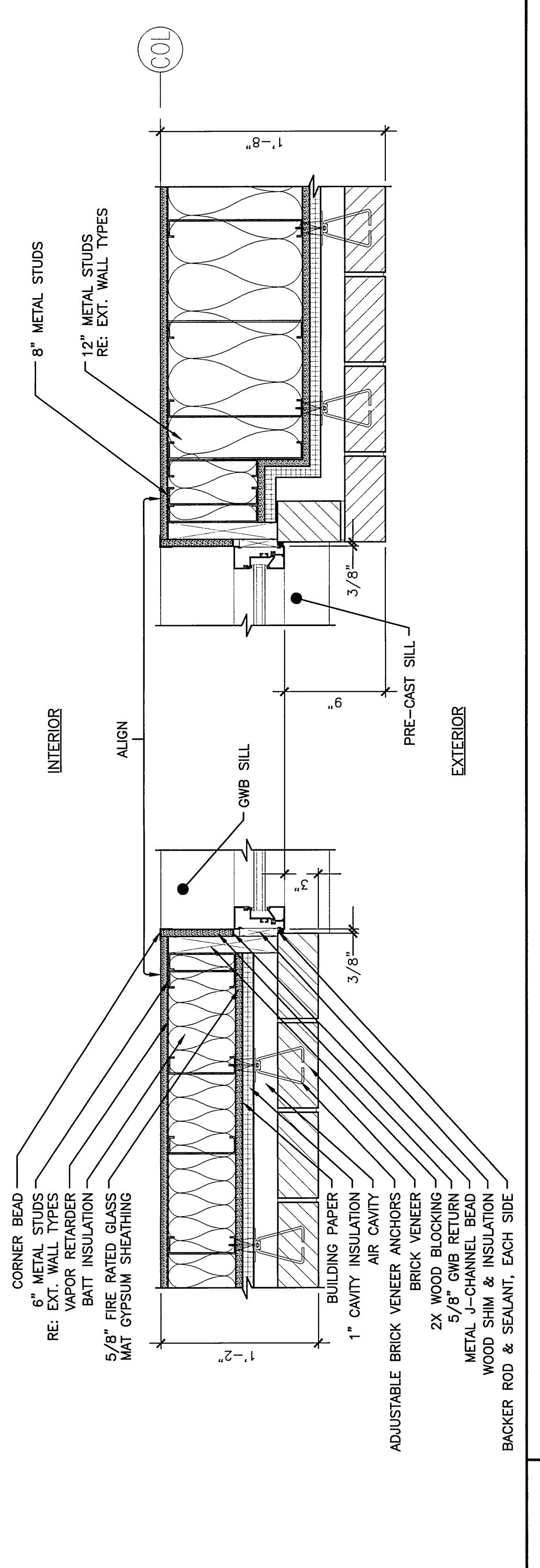
A5 JAMB DETAIL
1-1/2" = 1'-0"



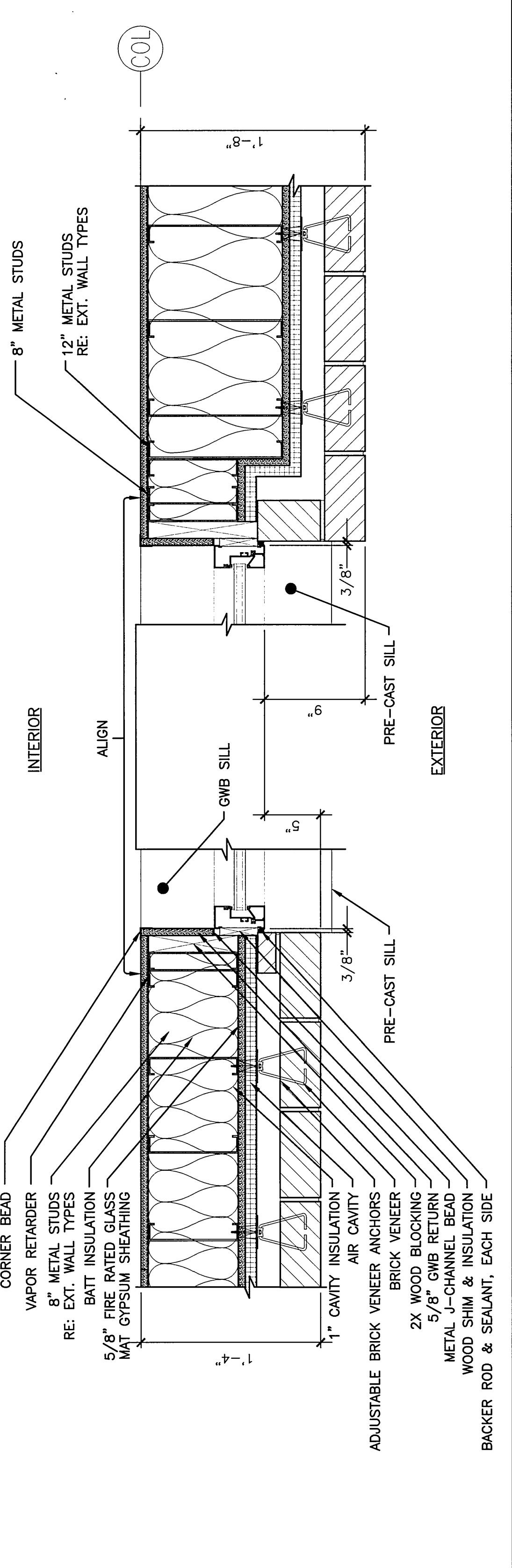
N9 JAMB DETAIL
1-1/2" = 1'-0"



J9 JAMB DETAIL
1-1/2" = 1'-0"



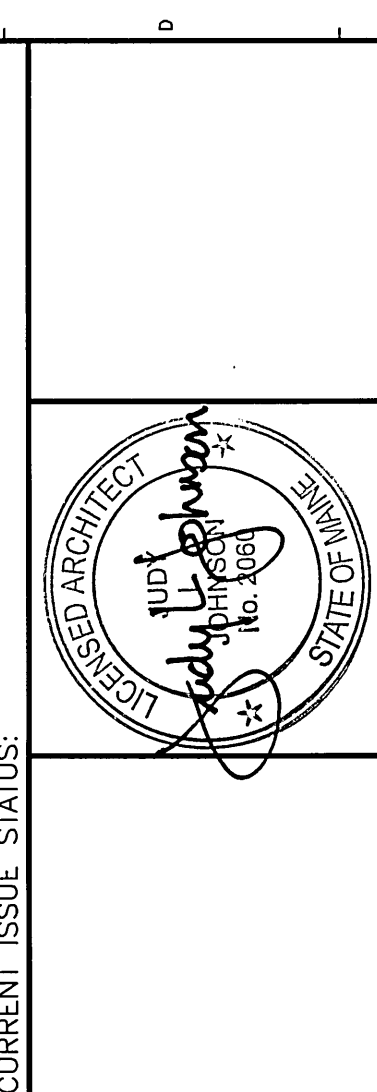
E9 JAMB DETAIL
1-1/2" = 1'-0"



A9 JAMB DETAIL
1-1/2" = 1'-0"

REV.	ISSUED FOR CONSTRUCTION	DESCRIPTION	DATE
0			12-15-03

ISSUED FOR CONSTRUCTION
12-15-03



ARCHITECTURE ENGINEERING PLANNING
144 Fore Street P.O. Box 618
Portland, Maine 04104
tel. (207) 772-3946
fax. (207) 772-1070

FORE STREET OFFICE BUILDING
PORTLAND, MAINE

WINDOW DETAILS

SHEET TITLE:	AS NOTED	DATE:	12-15-03
PROJECT MANAGER:	JLJ	GRAPHIC SCALE:	0"
JOB CAP/DRAWN:	JLJ	A/E OF RECORD:	JLJ
SMART CAD FILE:	AE604-03087	SHEET No.:	AE604
PROJECT No.:	G3087		