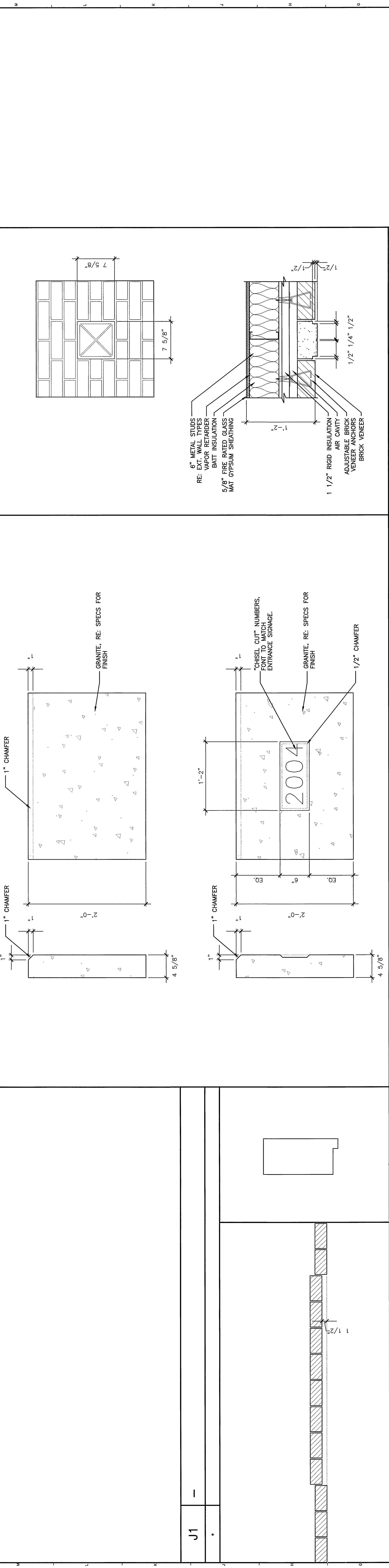
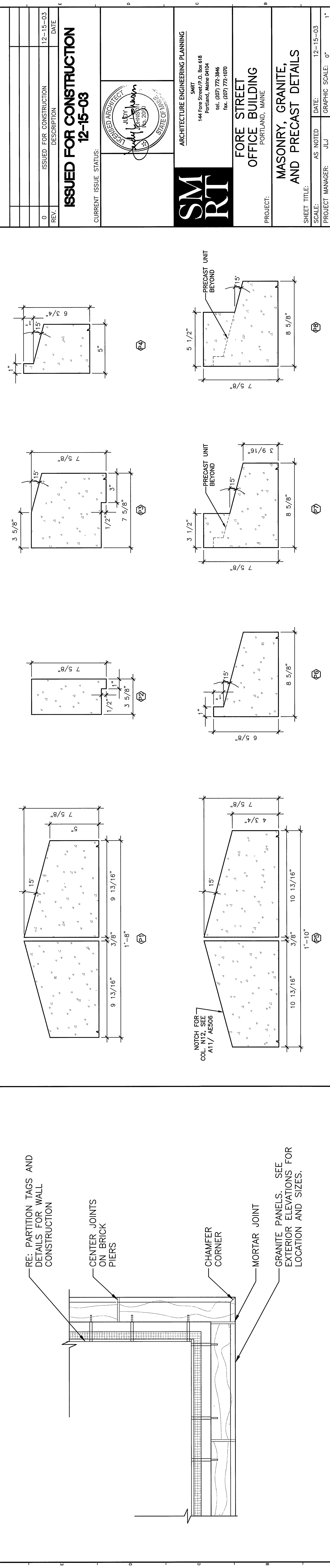


N1	-	N6	-	N9	CONTROL JOINT DETAIL	N14	CONTROL JOINT DETAIL
				1"=1'-0"	AE202	1"=1'-0"	AE202



F1	RECESSED PANEL PLAN DETAIL	N5	LIP BRICK	F7	GRANITE PROFILES AT MAIN ENTRANCE	F14	PRECAST MEDALLION DETAILS
	AE202		3"=1'-0"		AE201, AE202, AE203	1"=1'-0"	AE202



A1	GRANITE DETAIL	A7	PRECAST PROFILE TYPES
	1 1/2"=1'-0"		AE201, AE604

REV.	0	ISSUED FOR CONSTRUCTION	12-15-03
		DESCRIPTION	DATE
ISSUED FOR CONSTRUCTION 12-15-03			
CURRENT ISSUE STATUS:			
SM RT ARCHITECTURE ENGINEERING PLANNING 144 Fore Street P.O. Box 618 Portland, Maine 04104 tel. (207) 772-3846 fax. (207) 772-1070			
FORE STREET OFFICE BUILDING PORTLAND, MAINE			
MASONRY, GRANITE, AND PRECAST DETAILS			
SHEET TITLE:	AS NOTED	DATE:	12-15-03
SCALE:	PROJECT MANAGER:	JLJ	GRAPHIC SCALE: 0"
JOB CAP/DRAWN:	R/L		
A/E OF RECORD:	JLJ		
SMART CAD FILE:	AE510-03087	SHEET No.	AE510
PROJECT No.	03087		