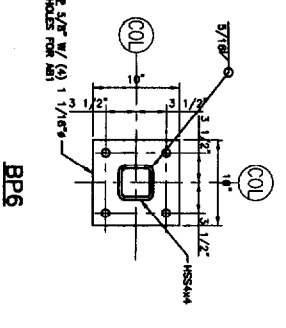
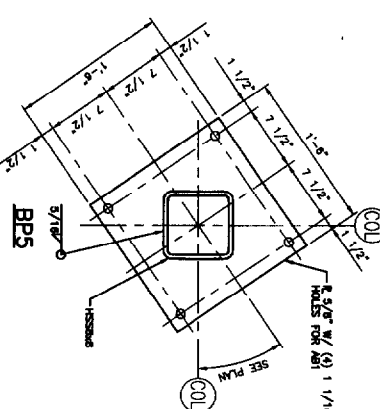
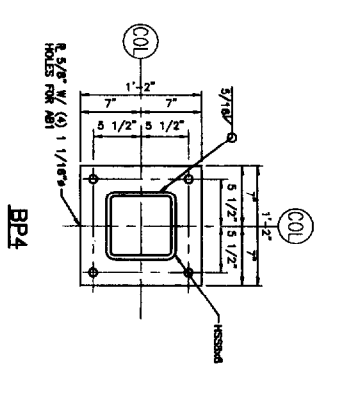
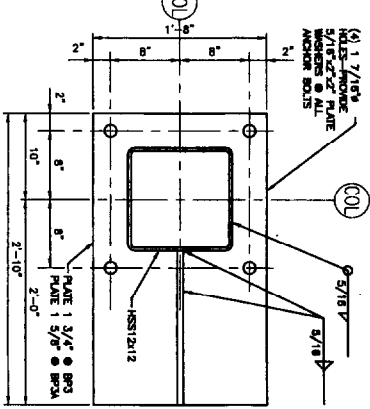
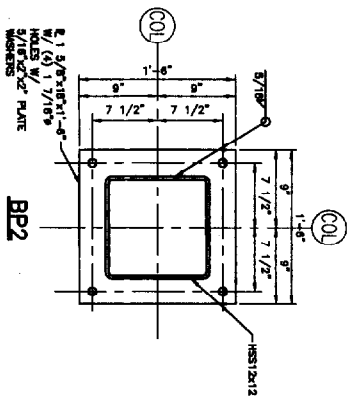
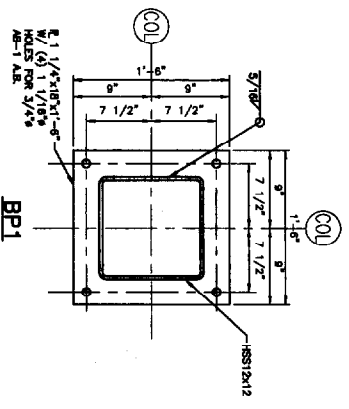
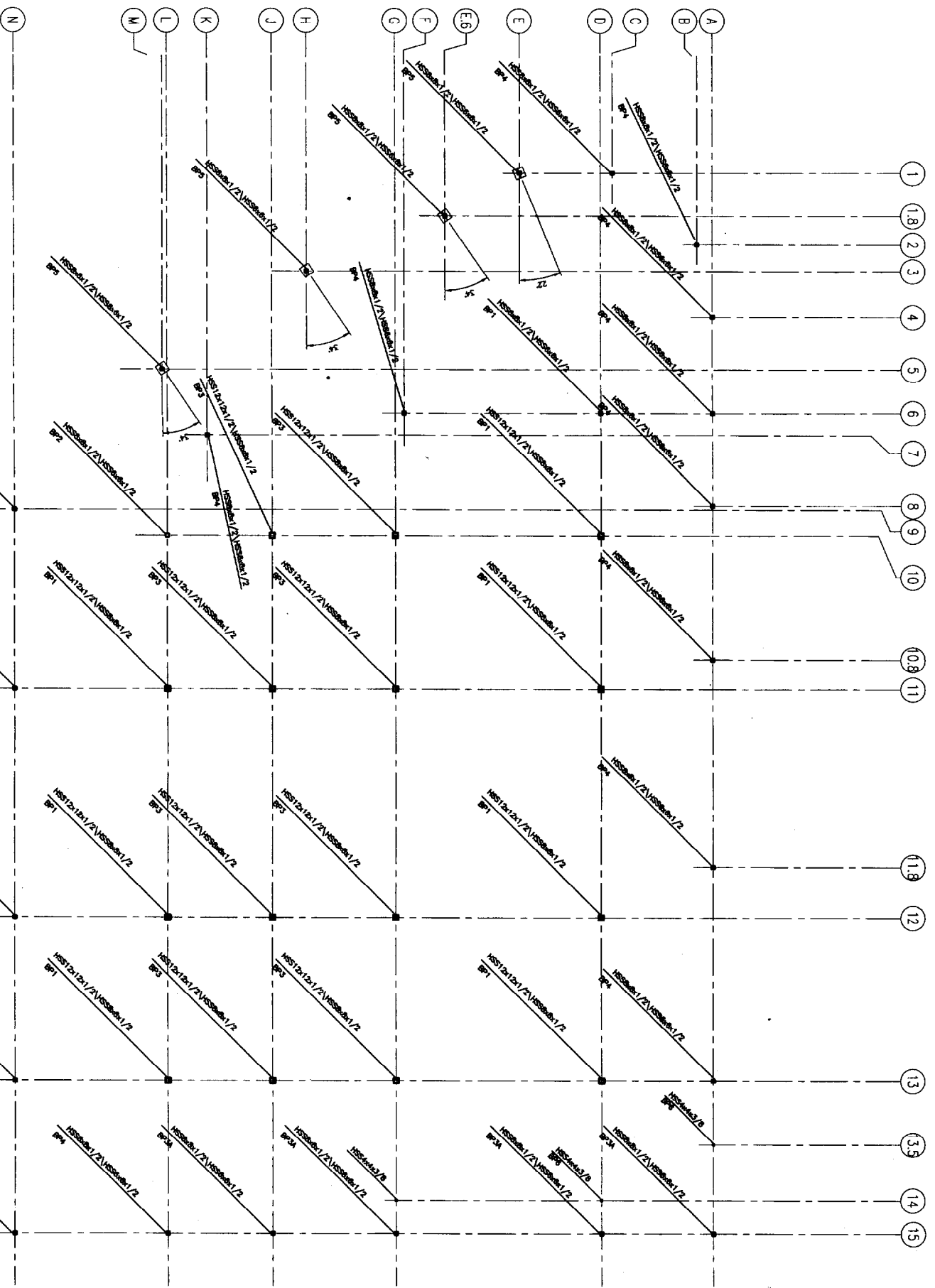
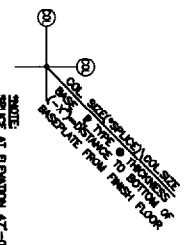


**NOTE:**  
1. SEE S0001 FOR STRUCTURAL GENERAL NOTES.



**LEGEND:**



**FOUNDATION PERMITTING**  
10-29-03

REV.	DESCRIPTION	DATE



**ARCHITECTURE ENGINEERING PLANNING**  
RIT  
1415 NE BROADWAY, SUITE 400  
PORTLAND, OREGON 97232  
TEL: 503.773.8888  
FAX: 503.773.8889

**PROJECT:**  
FORE STREET  
OFFICE BUILDING  
PORTLAND, OREGON

**STRUCTURAL**  
COLUMN LAYOUT PLAN

SHEET TITLE	AS NOTED	DATE
PROJECT MANAGER	JLJ	
DESIGNER	BLK/SS	
CHECKER	JLJ	
DATE OF RECORD		
SHEET CADD FILE	ST01-0007	
PROJECT NO.	03087	

SF601