

**NOTE:**

1. SEE SHEET M-001 FOR LEGEND AND ABBREVIATIONS.

REV.	ISSUED FOR PERMIT/CONTRACT	DATE
0	6-11-04	

**ISSUED FOR PERMIT/CONTRACT**  
**6-11-04**

CURRENT ISSUE STATUS:



ARCHITECTURE ENGINEERING PLANNING  
14 Fore Street P.O. Box 418  
Portland, Maine 04104  
Tel. (207) 772-3846  
Fax. (207) 772-1070

**SM RT**  
**BAKER NEWMAN NOYES**  
FIT-UP  
PORTLAND, MAINE

PROJECT: DETAILS

SHEET TITLE: DETAILS

SCALE: AS NOTED

DATE: 6-11-04

PROJECT MANAGER: JLN

GRAPHIC SCALE: 0"

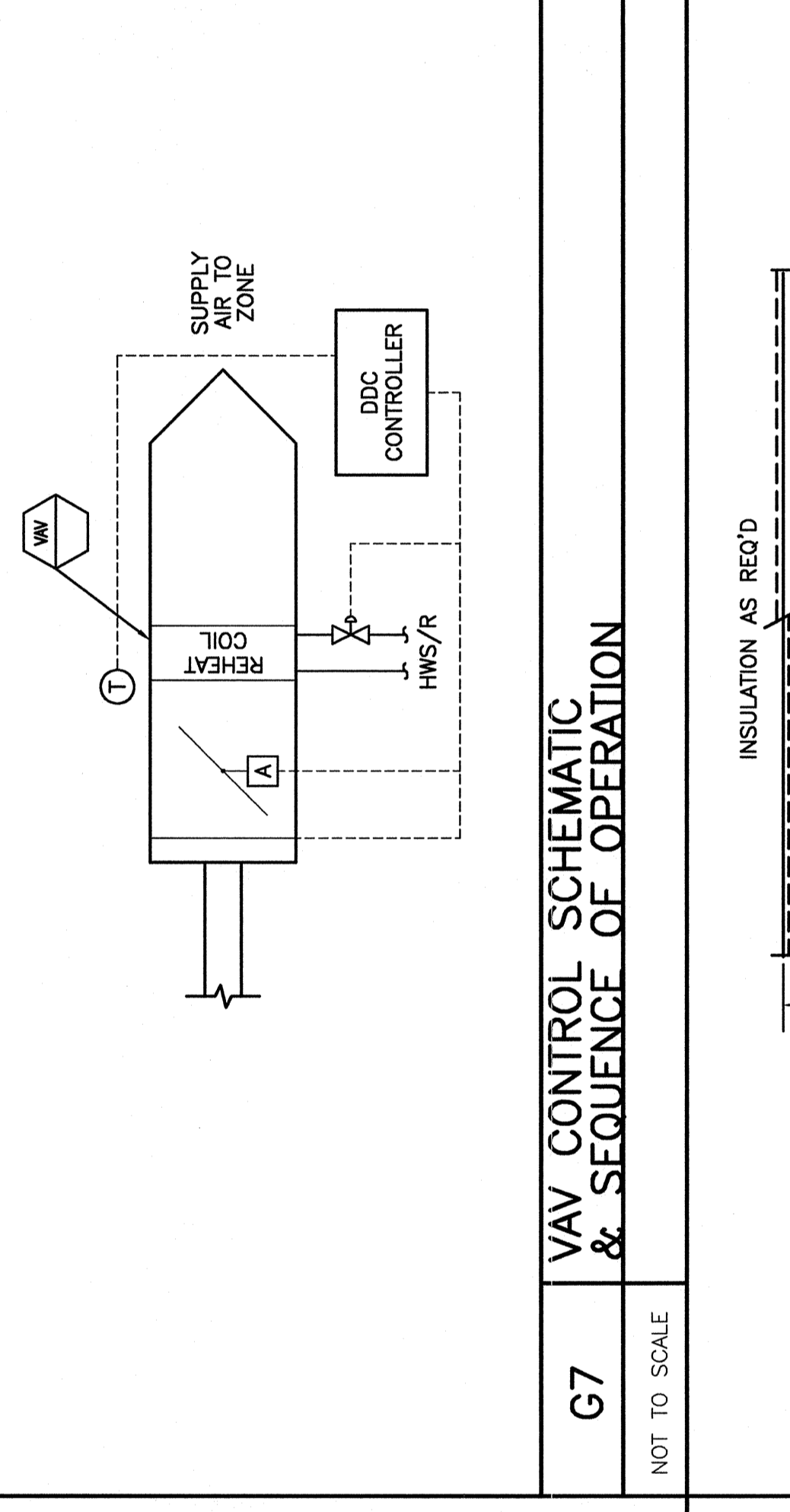
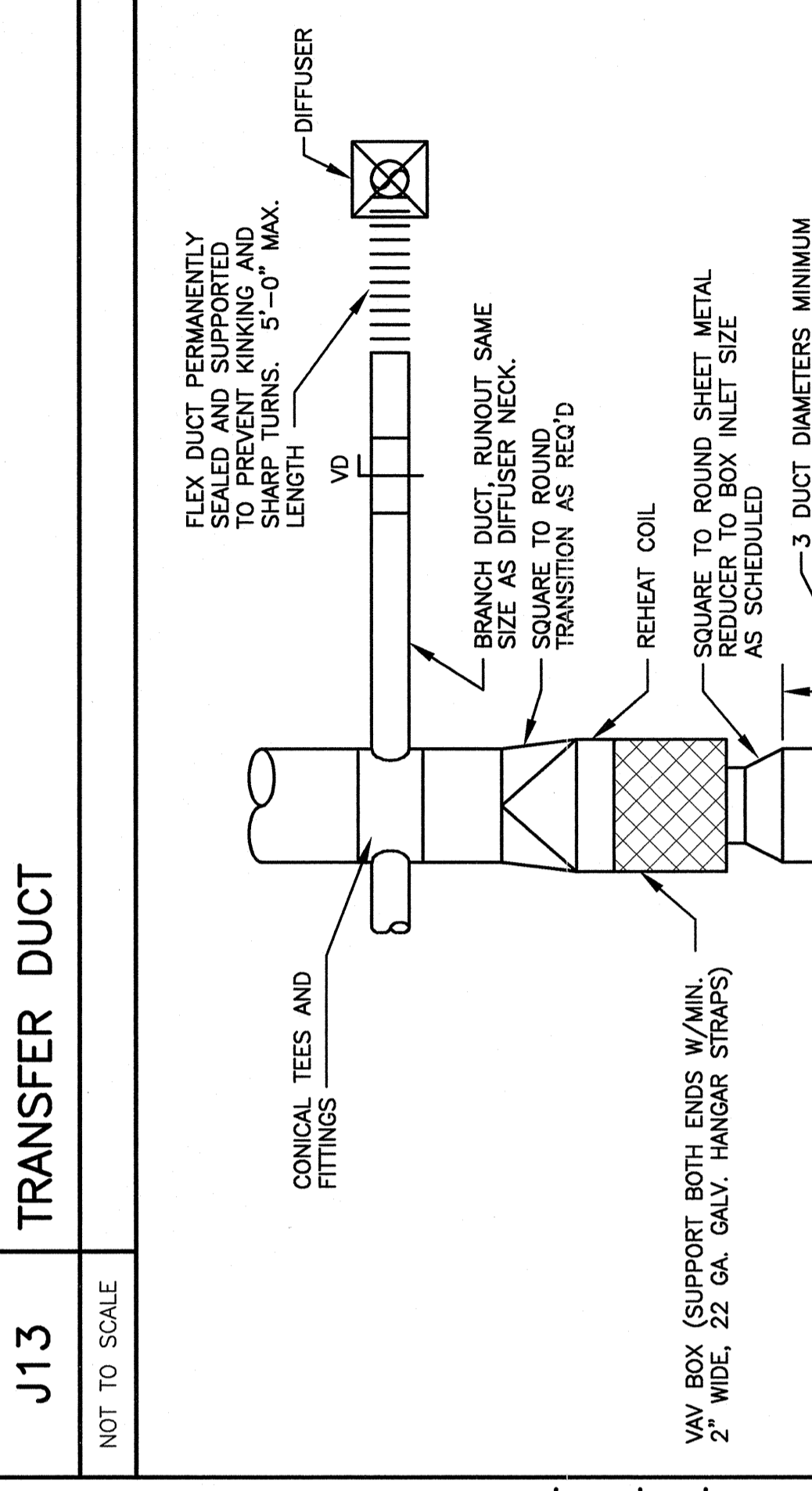
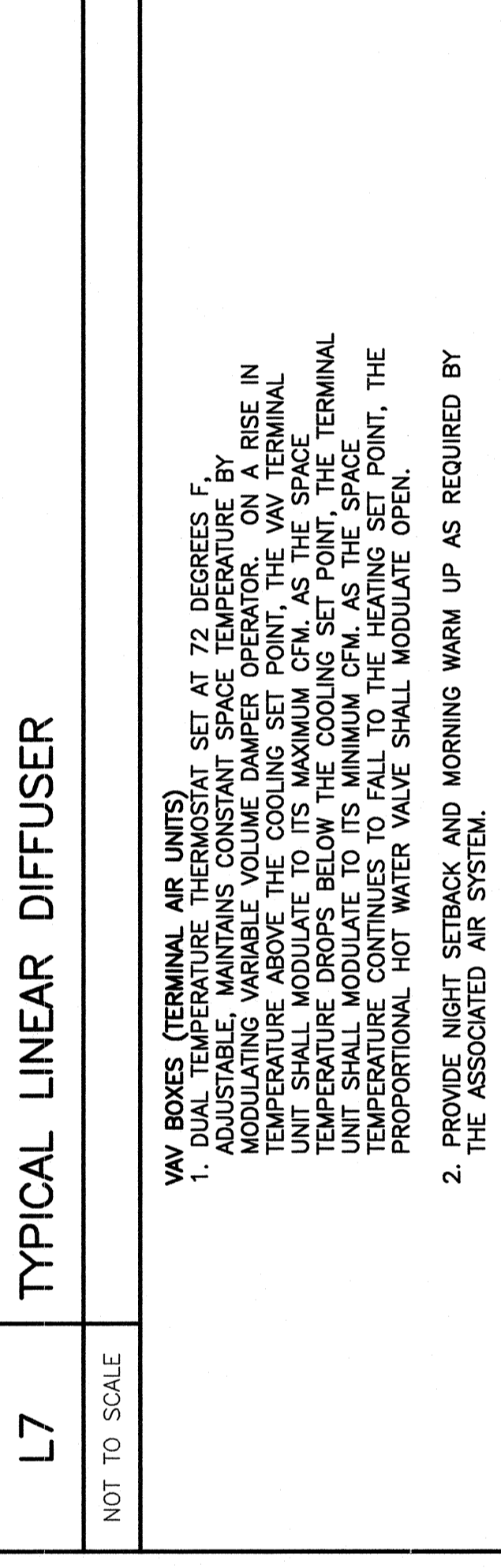
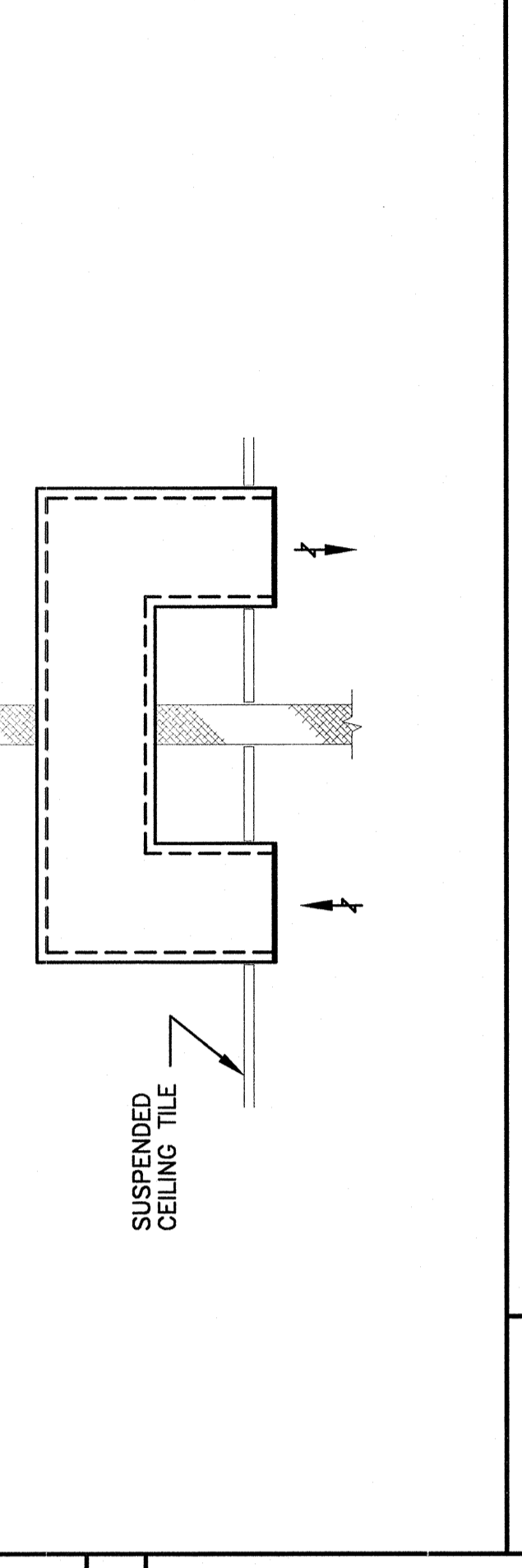
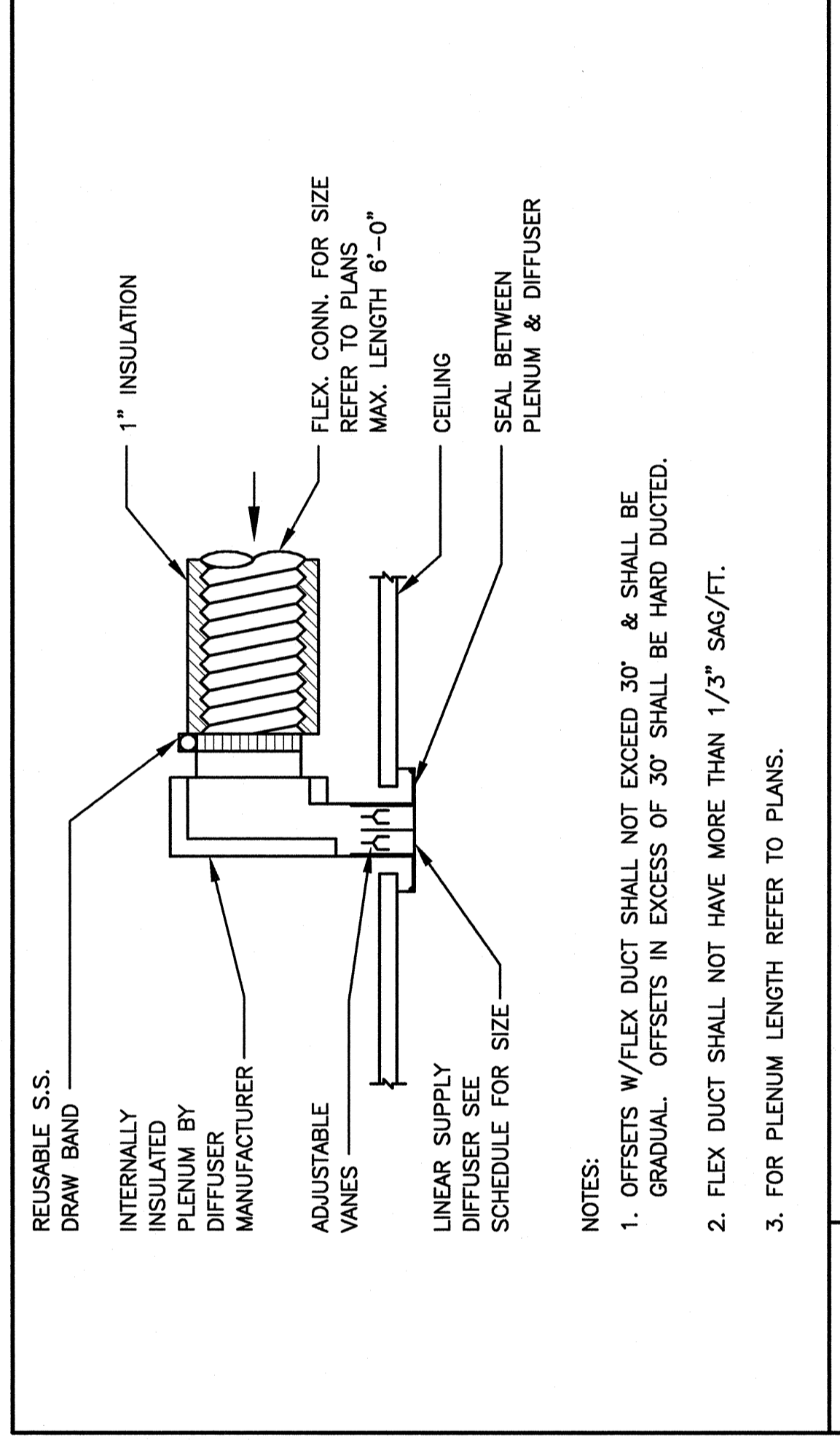
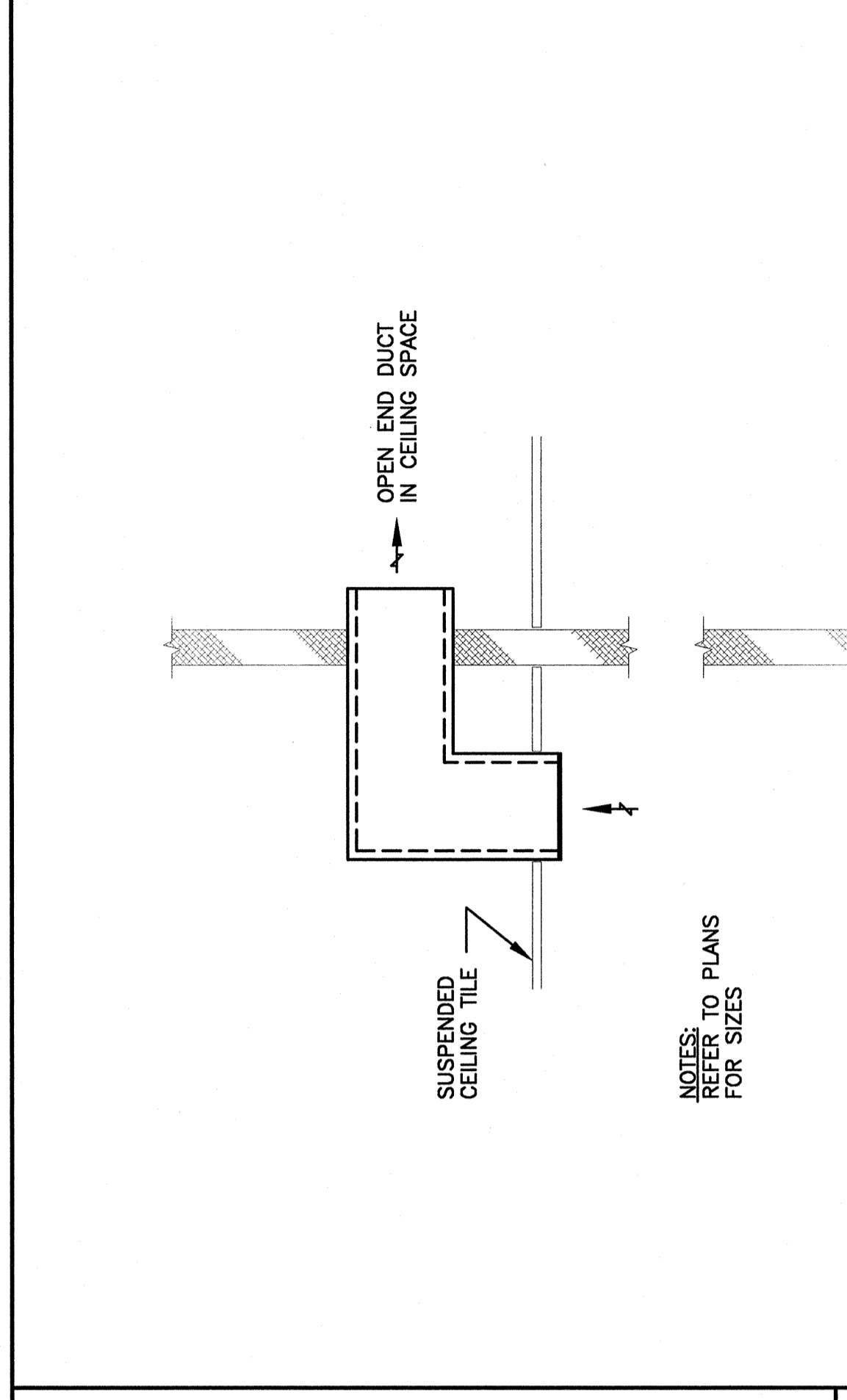
JOB CAP/DRAWN: DJM/BCG

DATE OF RECORD: DBR

SHEET NO. M-501

PROJECT NO. M-501-03137

PROJECT NO. 03137



NOTES:  
1. REFRIGERANT PIPING SIZES SHOWN ON PLANS ARE BASED ON R-22.  
2. REFRIGERANT PIPING SHALL BE COPPER TYPE ACR WITH BRAZED COPPER JOINTS AND WROUGHT FITTINGS AND SHALL BE PRESSURE RATED FOR 200 PSI.  
3. PROVIDE & INSTALL ALL REFRIGERANT PIPING & VALVES NOTING SYSTEM REQUIREMENTS. OPERATIONAL REFRIGERANT SYSTEMS SHALL BE COMPLETELY OPERATIONAL WITH ALL COMPONENTS INSTALLED AS PER MANUFACTURERS PUBLISHED INSTRUCTIONS.  
4. INSULATE SUCTION LINE ABOVE ROOF W/ ARMSTRONG ARMAFLEX FINISH.  
5. THIS CONTRACTOR SHALL BE RESPONSIBLE FOR ALL INTERLOCKING AND WIRING OF CONTROLS BETWEEN REFRIGERANT SYSTEMS. SEE ELECTRICAL DWG'S FOR WIRING SHALL BE COMPLETE TO PROVIDE A FULLY OPERATIONAL SYSTEM. SEE ELECTRICAL DWG'S FOR POWER FEEDS TO EQUIPMENT & DISCONNECT SWITCHES.  
6. INSTALL SUCTION LINE TRAP FOR EACH 20FT. OF PIPE RISE.

L7	TYPICAL LINEAR DIFFUSER	A11	DUCT MOUNTED REHEAT COIL, TWO-WAY VALVE
G7	VAV CONTROL SCHEMATIC & SEQUENCE OF OPERATION	A7	AIR DEVICE CONNECTION
D7	DUCT MAIN AND BRANCH TAKE OFFS	A1	REFRIGERANT PIPING
J13	TRANSFER DUCT	D13	VAV BOX SCHEMATIC