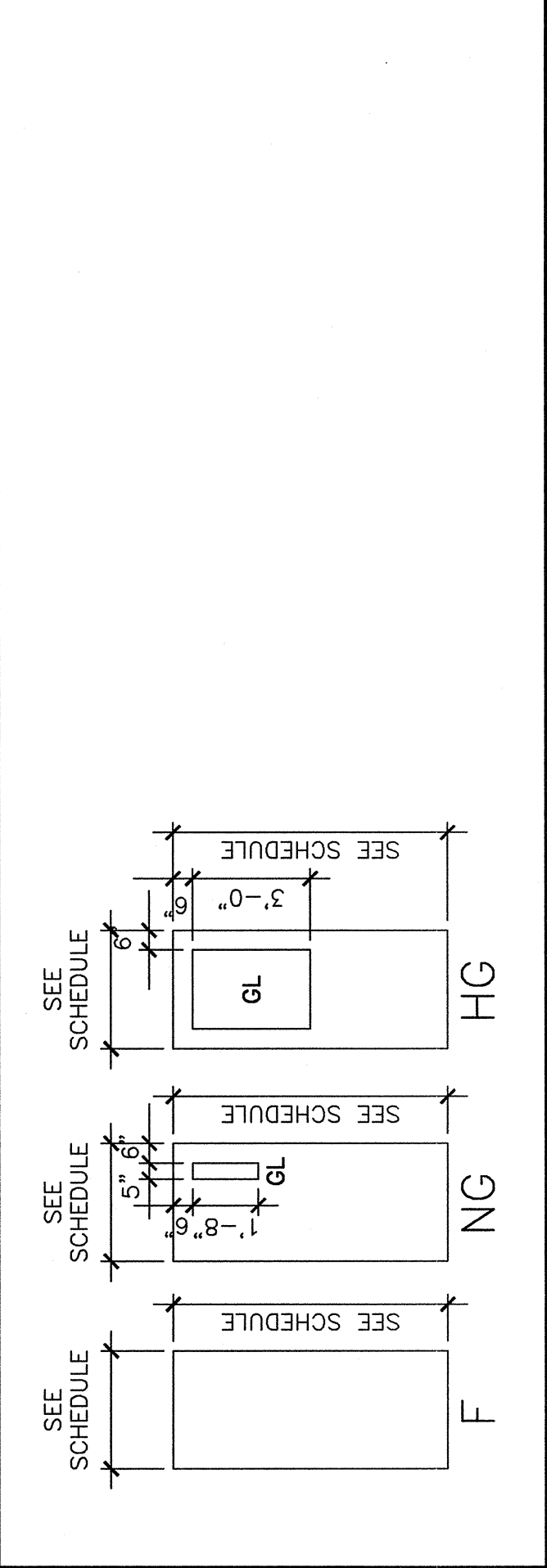


N1
1/4" = 1'-0"
AE602



K1
1/4" = 1'-0"
AE602

ROOM FINISH SCHEDULE

ROOM NUMBER	ROOM NAME	FLOOR		BASE		NORTH		SOUTH		EAST		WEST		CEILING		ROOM NUMBER	REMARKS
		MATERIAL	PATTERN	MATERIAL	FINISH	MATERIAL	FINISH	MATERIAL	FINISH	MATERIAL	FINISH	MATERIAL	FINISH	MATERIAL	FINISH		
560	OPEN OFFICE	CPT-1		RES-2		GWB	P2/P5	GWB	P2/P5	GWB	P2/P5	GWB	P2/P5	ACT-1		560	
561	NOT USED															561	
562	NOT USED															562	
563	TEL/DATA ROOM	VCT		RES-3		GWB	P2	GWB	P6	GWB	P6	GWB	P6	ACT-2		563	
564	LIBRARY	CPT-1		RES-2		GWB	P2	GWB	P2	GWB	P2	GWB	P2/P5	ACT-1		564	WD 1 CHAIRRAIL W/P-5 BELOW
565	CORRIDOR	CPT-1		RES-1												565	WD 1 CHAIRRAIL W/P-5 BELOW
566	OFFICE	CPT-1		RES-1		GWB	P1	GWB	P1	GWB	P1	GWB	P1	ACT-1		566	
567	OFFICE	CPT-1		RES-1		GWB	P1	GWB	P1	GWB	P1	GWB	P1	ACT-1		567	
568	STORAGE	VCT		RES-3		GWB	P6	GWB	P6	GWB	P6	GWB	P6	ACT-2		568	
569	COPY/FAK	CPT-1		RES-2		GWB	P2	GWB	P2	GWB	P2	GWB	P2	ACT-1		569	PL-2 CNTS. PL-3 CNTS
570	CORRIDOR	CPT-1/PT-2		RES-2		GWB	P2	GWB	P2/P5	GWB	P2/P5	GWB	P2/P5			570	STONE COUNTERTOPS, WD 1/2 CABINETS
571	NOT USED														571		
572	NOT USED														572		
573	OPEN OFFICE	CPT-1		RES-2		GWB	P2/P5	GWB	P2/P5	GWB	P2/P5	GWB	P2/P5	ACT-1		573	WD 1 CHAIRRAIL W/P-5 BELOW
574	NOT USED														574		
575	NOT USED														575		
576	OFFICE	CPT-1		RES-1		GWB	P1	GWB	P1	GWB	P1	GWB	P1	ACT-1		576	
577	OFFICE	CPT-1		RES-1		GWB	P1	GWB	P1	GWB	P1	GWB	P1	ACT-1		577	
578	OFFICE	CPT-1		RES-1		GWB	P1	GWB	P1	GWB	P1	GWB	P1	ACT-1		578	
579	OFFICE	CPT-1		RES-1		GWB	P1	GWB	P1	GWB	P1	GWB	P1	ACT-1		579	
580	OFFICE	CPT-1		RES-1		GWB	P1	GWB	P1	GWB	P1	GWB	P1	ACT-1		580	
581	OFFICE	CPT-1		RES-1		GWB	P1	GWB	P1	GWB	P1	GWB	P1	ACT-1		581	
582	OFFICE	CPT-1		RES-1		GWB	P1	GWB	P1	GWB	P1	GWB	P1	ACT-1		582	
583	OFFICE	CPT-1		RES-1		GWB	P1	GWB	P1	GWB	P1	GWB	P1	ACT-1		583	
584	OFFICE	CPT-1		RES-1		GWB	P1	GWB	P1	GWB	P1	GWB	P1	ACT-1		584	
585	OFFICE	CPT-1		RES-1		GWB	P1	GWB	P1	GWB	P1	GWB	P1	ACT-1		585	
586	OFFICE	CPT-1		RES-1		GWB	P1	GWB	P1	GWB	P1	GWB	P1	ACT-1		586	

FINISH NOTES:
 1. SEE SPECIFICATIONS & FLOOR PLANS FOR ADDITIONAL INFORMATION REGARDING FINISH MATERIALS.
 2. REFER TO PARTITION LEGEND FOR TYPE OF GWB COMPOSITION REQUIRED. "ABUSE RESISTANT", "MOISTURE RESISTANT" OR OTHER (TYPICAL).
 3. REFERENCE AF102 AND AF103 FOR CHAIRRAIL LOCATIONS.
 4. SEE AE601 FOR FINISH ABBREVIATIONS.

DOOR SCHEDULE

DOOR NUMBER	SIZE	DOOR		GLAZING	ELEVATION		FRAME HEAD	JAMB	SILL	DOOR NUMBER	REMARKS
		MATERIAL	FINISH		MATERIAL	FINISH					
534	3'-0"x7'-0"	WOOD	F		F		P17/AE501	M17/AE501		4	
536	3'-0"x7'-0"	WOOD	F		F		P17/AE501	M17/AE501		4	
537	3'-0"x7'-0"	WOOD	F		F		P17/AE501	M17/AE501		4	
538	3'-0"x7'-0"	WOOD	F		F		P17/AE501	M17/AE501		4	
539	3'-0"x7'-0"	WOOD	F		F		P17/AE501	M17/AE501		4	
540	3'-0"x7'-0"	WOOD	F		F		P17/AE501	M17/AE501		4	
541	3'-0"x7'-0"	WOOD	F		F		P17/AE501	M17/AE501		4	
542	3'-0"x7'-0"	WOOD	F		F		P17/AE501	M17/AE501		4	
543	3'-0"x7'-0"	WOOD	F		F		P17/AE501	M17/AE501		4	
544	3'-0"x7'-0"	WOOD	F		F		P17/AE501	M17/AE501		4	
545	3'-0"x7'-0"	WOOD	F		F		P17/AE501	M17/AE501		4	
550	3'-0"x7'-0"	WOOD	F		F		P17/AE501	M17/AE501		4	
551	3'-0"x7'-0"	WOOD	F		F		P17/AE501	M17/AE501		4	
552	3'-0"x7'-0"	WOOD	F		F		P17/AE501	M17/AE501		4	
553	3'-0"x7'-0"	WOOD	F		F		P17/AE501	M17/AE501		4	
554	3'-0"x7'-0"	WOOD	F		F		P17/AE501	M17/AE501		4	
555	3'-0"x7'-0"	WOOD	F		F		P17/AE501	M17/AE501		4	
556	3'-0"x7'-0"	WOOD	F		F		P17/AE501	M17/AE501		4	
557	3'-0"x7'-0"	WOOD	F		F		P17/AE501	M17/AE501		4	
558	3'-0"x7'-0"	WOOD	F		F		P17/AE501	M17/AE501		4	
559	3'-0"x7'-0"	WOOD	F		F		P17/AE501	M17/AE501		4	
563	3'-0"x7'-0"	WOOD	F		F		P17/AE501	M17/AE501		4	
566	3'-0"x7'-0"	WOOD	F		F		P17/AE501	M17/AE501		4	
567	3'-0"x7'-0"	WOOD	F		F		P17/AE501	M17/AE501		4	
568	3'-0"x7'-0"	WOOD	F		F		P17/AE501	M17/AE501		4	
569	3'-0"x7'-0"	WOOD	F		F		P17/AE501	M17/AE501		4	
577	3'-0"x7'-0"	WOOD	F		F		P17/AE501	M17/AE501		4	
578	3'-0"x7'-0"	WOOD	F		F		P17/AE501	M17/AE501		4	
579	3'-0"x7'-0"	WOOD	F		F		P17/AE501	M17/AE501		4	
580	3'-0"x7'-0"	WOOD	F		F		P17/AE501	M17/AE501		4	
581	3'-0"x7'-0"	WOOD	F		F		P17/AE501	M17/AE501		4	
582	3'-0"x7'-0"	WOOD	F		F		P17/AE501	M17/AE501		4	
583	3'-0"x7'-0"	WOOD	F		F		P17/AE501	M17/AE501		4	
584	3'-0"x7'-0"	WOOD	F		F		P17/AE501	M17/AE501		4	
585	3'-0"x7'-0"	WOOD	F		F		P17/AE501	M17/AE501		4	
586	3'-0"x7'-0"	WOOD	F		F		P17/AE501	M17/AE501		4	

DOOR SCHEDULE

DOOR NUMBER	SIZE	DOOR		GLAZING	ELEVATION		FRAME HEAD	JAMB	SILL	DOOR NUMBER	REMARKS
		MATERIAL	FINISH		MATERIAL	FINISH					
420	PAR 3'-0"x7'-0"	WOOD	F		F		P17/AE501	M17/AE501		420	
422	3'-0"x7'-0"	WOOD	HG	TEMP			P17/AE501	M17/AE501		422	
423	3'-0"x7'-0"	WOOD	NG	TEMP			P17/AE501	M17/AE501		423	
423b	3'-0"x7'-0"	WOOD	NG	TEMP			P17/AE501	M17/AE501		423b	CARD ACCESS
424	3'-0"x7'-0"	WOOD	F		F		P17/AE501	M17/AE501		424	
425	3'-0"x7'-0"	WOOD	F		F		P17/AE501	M17/AE501		425	
426	3'-0"x7'-0"	WOOD	F		F		P17/AE501	M17/AE501		426	
427	3'-0"x7'-0"	WOOD	F		F		P17/AE501	M17/AE501		427	
428	3'-0"x7'-0"	WOOD	F		F		P17/AE501	M17/AE501		428	
429	3'-0"x7'-0"	WOOD	F		F		P17/AE501	M17/AE501		429	
433	3'-0"x7'-0"	WOOD	F		F		P17/AE501	M17/AE501		433	
434	3'-0"x7'-0"	WOOD	F		F		P17/AE501	M17/AE501		434	
435	3'-0"x7'-0"	WOOD	F		F		P17/AE501	M17/AE501		435	
437	3'-0"x7'-0"	WOOD	F		F		P17/AE501	M17/AE501		437	
438	3'-0"x7'-0"	WOOD	F		F		P17/AE501	M17/AE501		438	
440	3'-0"x7'-0"	WOOD	F		F		P17/AE501	M17/AE501		440	
442	3'-0"x7'-0"	WOOD	F		F		P17/AE501	M17/AE501		442	
443	3'-0"x7'-0"	WOOD	F		F		P17/AE501	M17/AE501		443	
444	3'-0"x7'-0"	WOOD	F		F		P17/AE501	M17/AE501		444	
445	3'-0"x7'-0"	WOOD	F		F		P17/AE501	M17/AE501		445	
446	3'-0"x7'-0"	WOOD	F		F		P17/AE501	M17/AE501		446	
447	3'-0"x7'-0"	WOOD	F		F		P17/AE501	M17/AE501		447	
448	3'-0"x7'-0"	WOOD	F		F		P17/AE501	M17/AE501		448	
449	3'-0"x7'-0"	WOOD	F		F		P17/AE501	M17/AE501		449	
450	3'-0"x7'-0"	WOOD	F		F		P17/AE501	M17/AE501		450	
451	3'-0"x7'-0"	WOOD	F		F		P17/AE501	M17/AE501		451	
455	3'-0"x7'-0"	WOOD	NG	TEMP			P17/AE501	M17/AE501		455	CARD ACCESS
456	3'-0"x7'-0"	WOOD	NG	TEMP			P17/AE501	M17/AE501		456	
457	3'-0"x7'-0"	WOOD	F		F		P17/AE501	M17/AE501		457	
459	3'-0"x7'-0"	WOOD	F		F		P17/AE501	M17/AE501		459	
460	3'-0"x7'-0"	WOOD	F		F		P17/AE501	M17/AE501		460	
461	PAR 2'-6"x7'-0"	WOOD	F		F		P17/AE501	M17/AE501		461	
462	PAR 2'-6"x7'-0"	WOOD	F		F		P17/AE501	M17/AE501		462	
463	3'-0"x7'-0"	WOOD	F		F		P17/AE501	M17/AE501		463	
464	3'-0"x7'-0"	WOOD	F		F		P17/AE501	M17/AE501		464	
466	3'-0"x7'-0"	WOOD	F		F		P17/AE501	M17/AE501		466	CARD ACCESS
467	3'-0"x7'-0"	WOOD	NG	TEMP			P17/AE501	M17/AE501		467	
468	3'-0"x7'-0"										