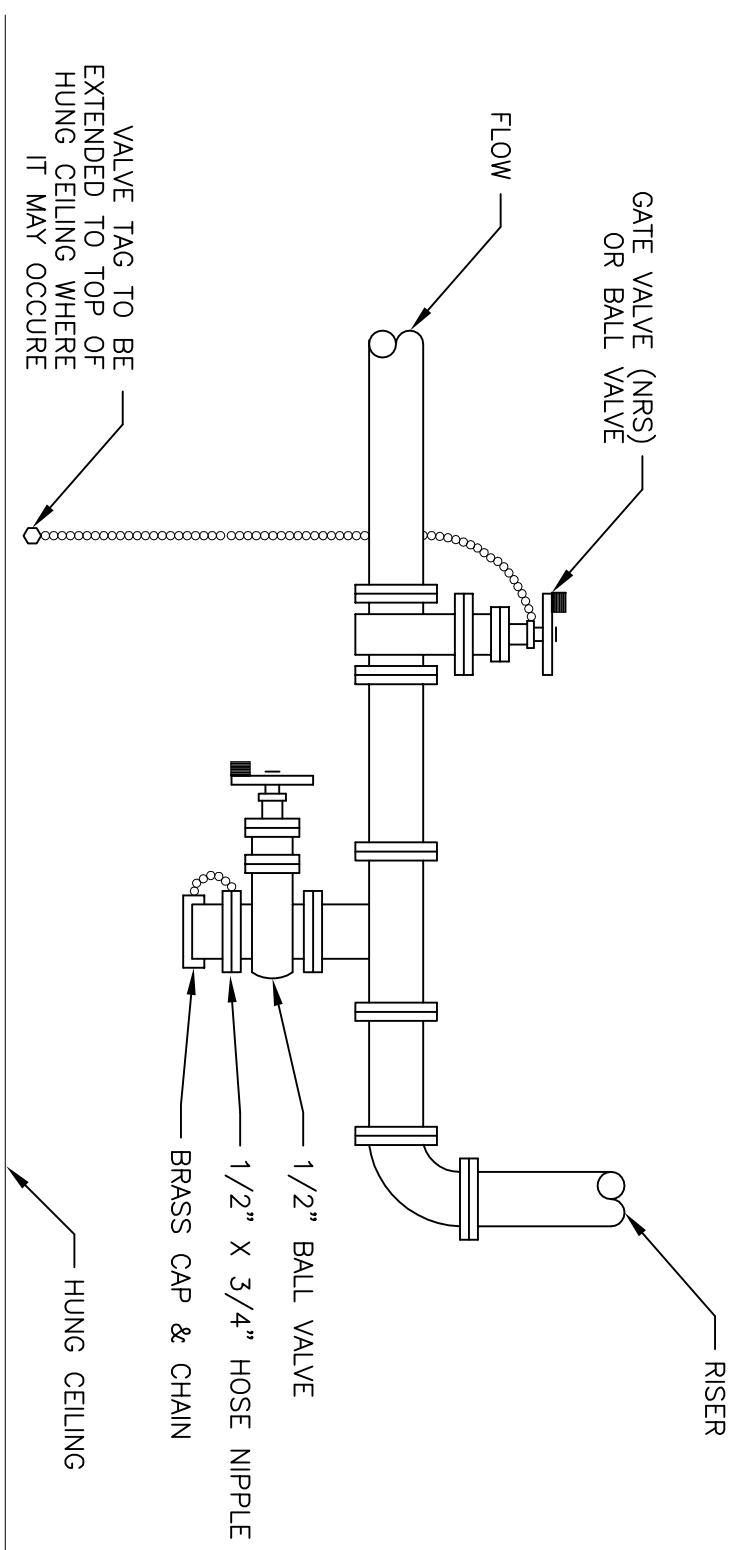


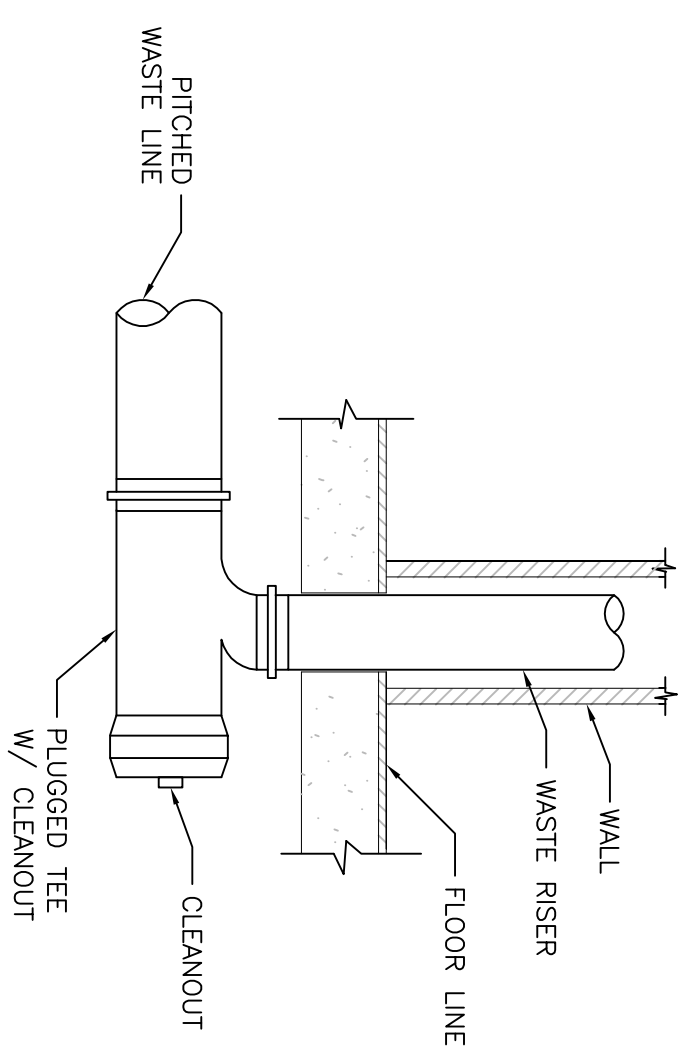
ROOF DRAIN DETAIL

NTS



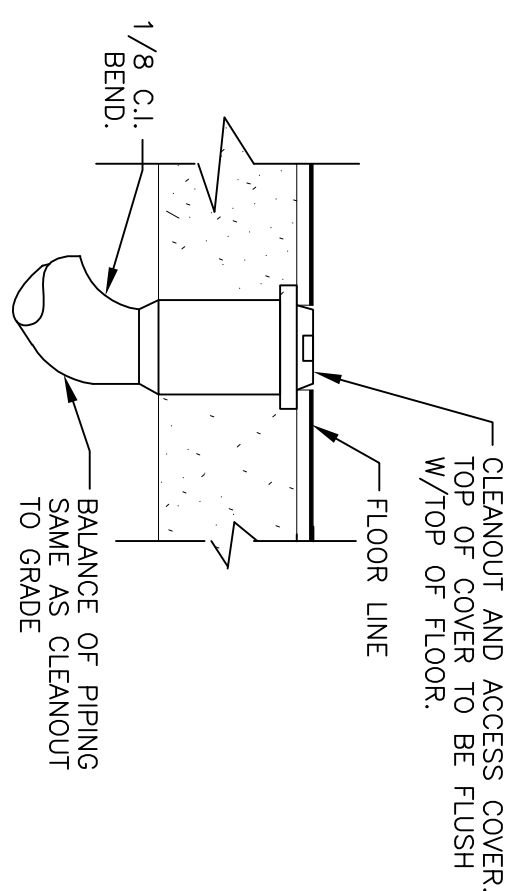
DRAIN AT WATER RISER

NTS



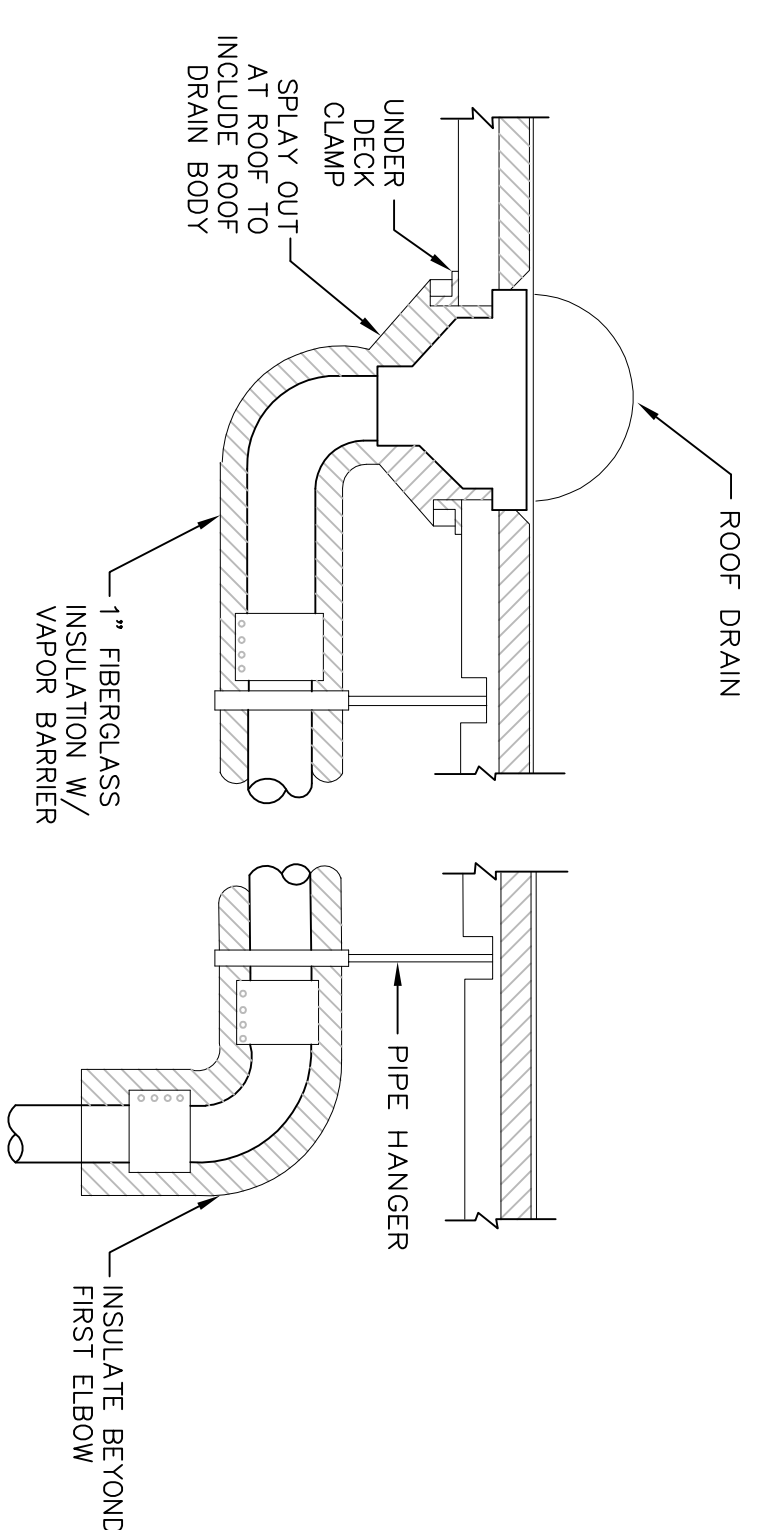
WASTE PIPE CLEANOUT DETAIL

NTS



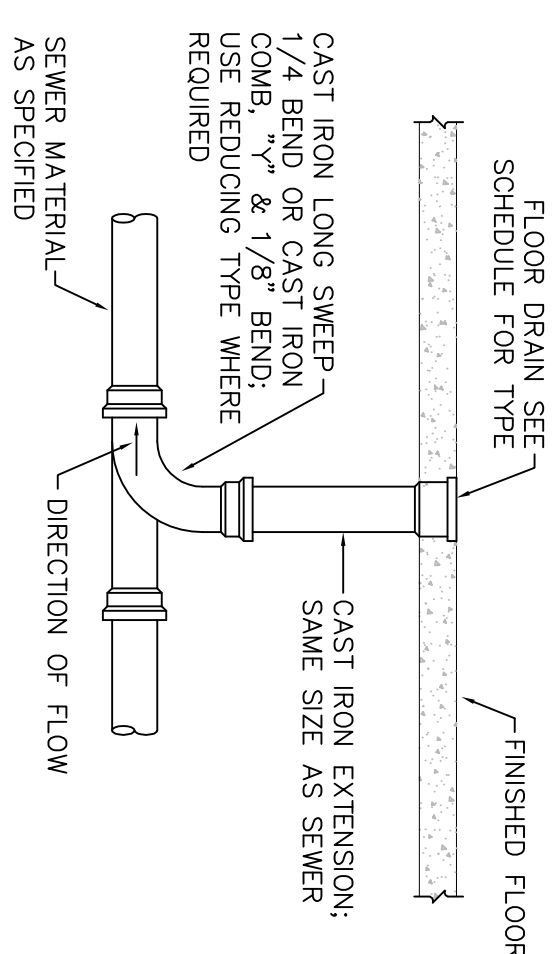
FLOOR CLEANOUT DETAIL

NTS



RAIN LEADER INSULATION DETAIL

NTS



FLOOR DRAIN DETAIL

NTS

CUSTOM HOUSE SQUARE
 300 FORE STREET
 PORTLAND, MAINE
PLUMBING DETAILS

Atlantic Comfort Systems, Inc.
 PO BOX 665-392 HILL STREET
 BIDDEFORD, MAINE 04005
 PHONE: (207) 284-6360
 FAX: (207) 284-6377

INTEGRATED ENGINEERED SYSTEMS, INC.
 △ MECH. DESIGN △ ENERGY MGT. △ INDOOR AIR QUALITY
 P.O. BOX 657
 AUBURN, N.H. 03032
 Tel: (603) 625-1346 Fax: (603) 625-8456