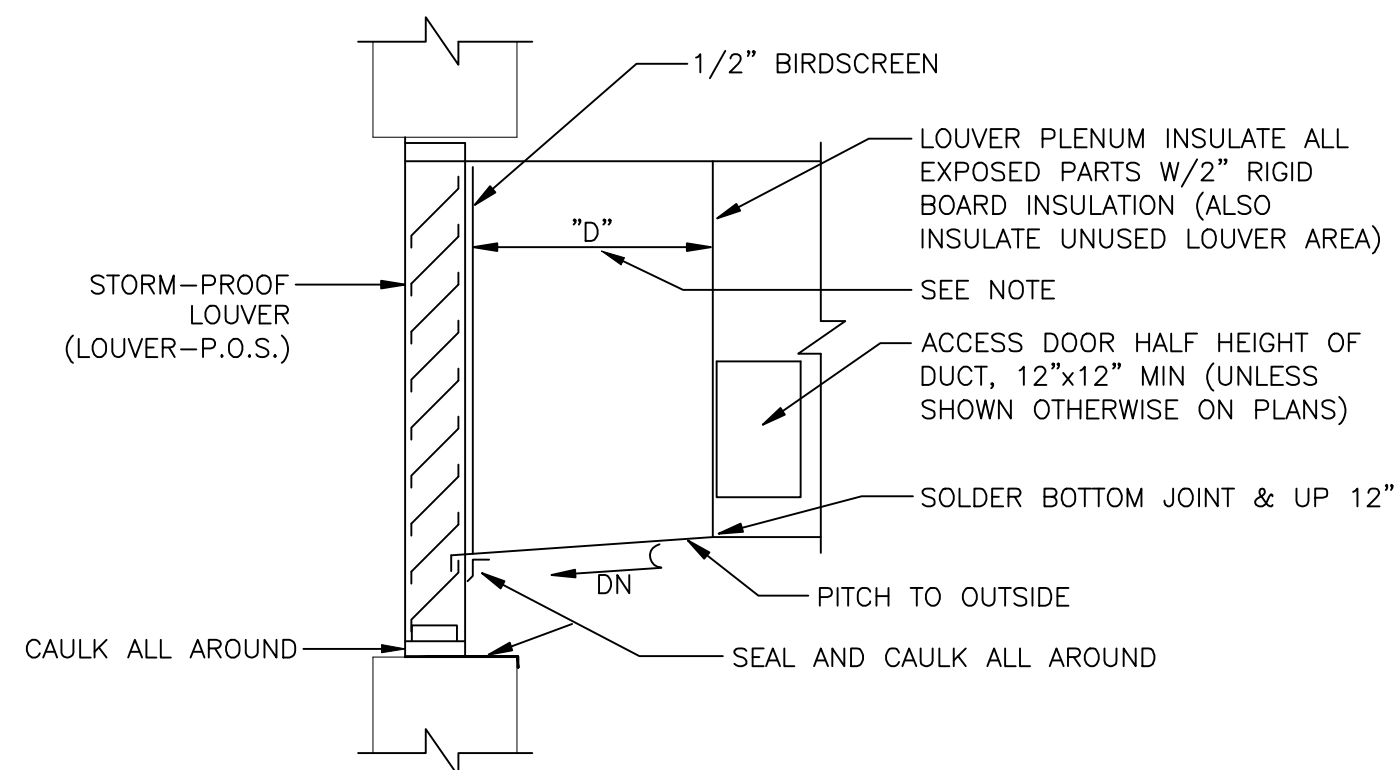


- NOTES:
1. ON DUCTS OVER 48" WIDE, BOTTOM SHALL BE ANGLE. FOR CROSS SECTION AREA MORE THAN 8 SQ FT, SHALL BE BRACED BY ANGLES ON ALL FOUR SIDES.
  2. CUTTING AND PATCHING SHALL BE LIMITED TO A MINIMUM AS REQUIRED FOR PROPER INSTALLATION.
  3. SUPPORTS SHALL BE SPACED AND SIZED AS PER SMACNA.

**DUCT HANGER SUPPORT**

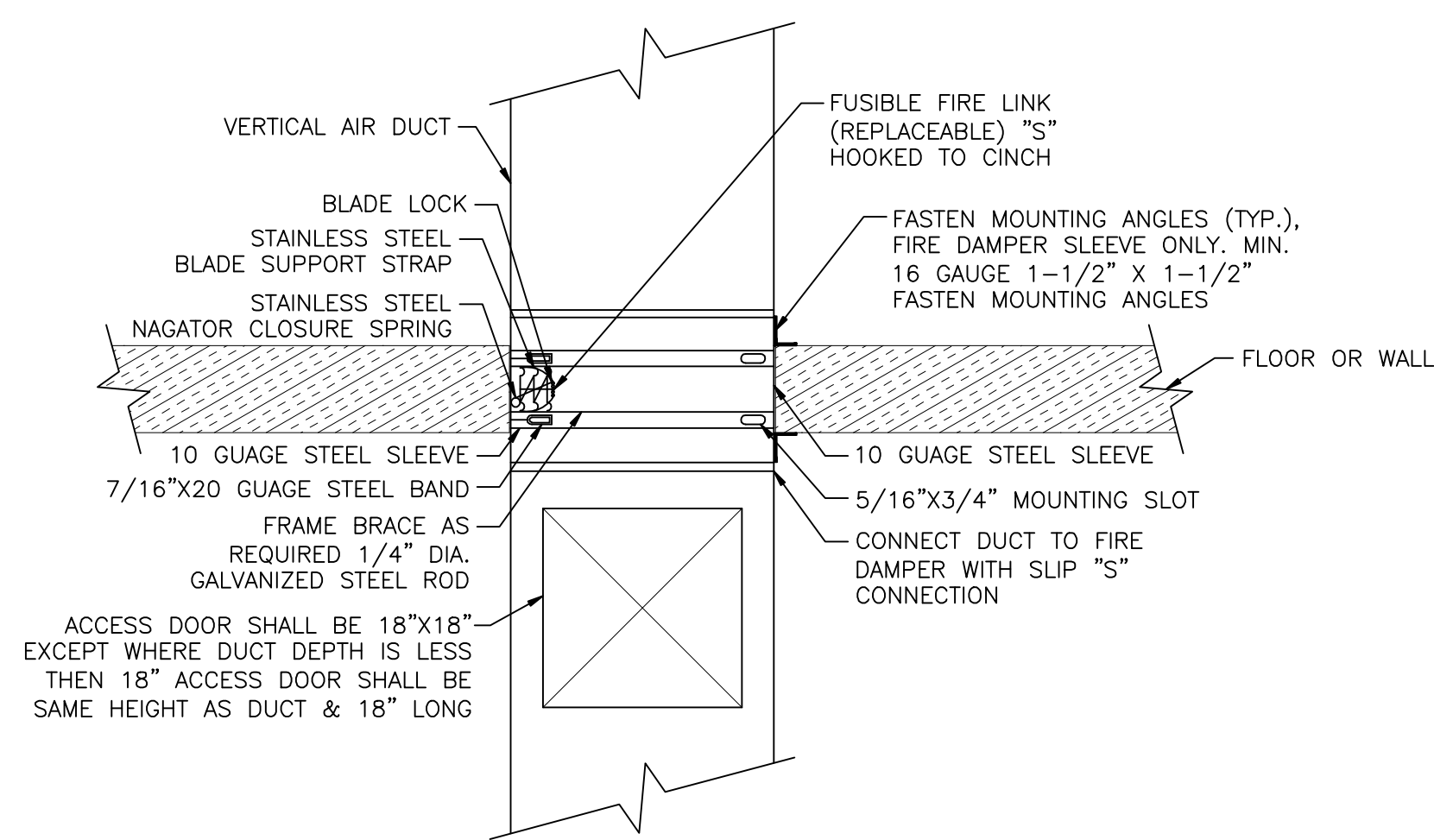
NTS



- NOTE: WHEN "D" IS OVER 24" PROVIDE 3/4" DRAIN AT 5'-0" CENTERTS (IF DEPTH INTO PAPER IS GREATER THAN 5'-0"), 6" FROM LOUVER WITH TRAP.

**LOUVER CONNECTION**

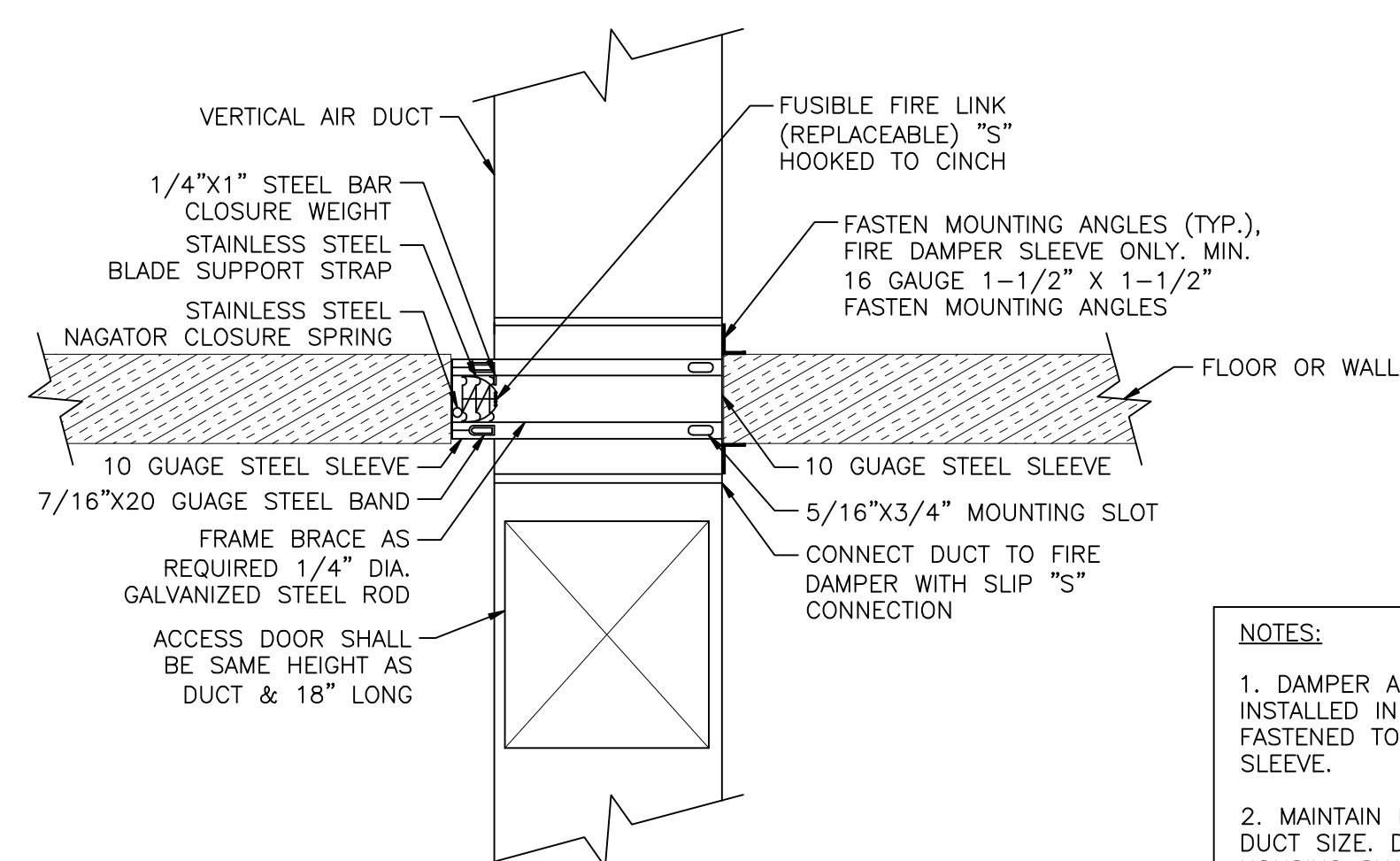
NTS



NOTE: TYPICAL HORIZONTAL SHUTTER TYPE FIRE DAMPER FOR DUCTS OVER 12" IN DEPTH

**HORIZONTAL FIRE DAMPER INSTALLATION DETAIL**

NTS

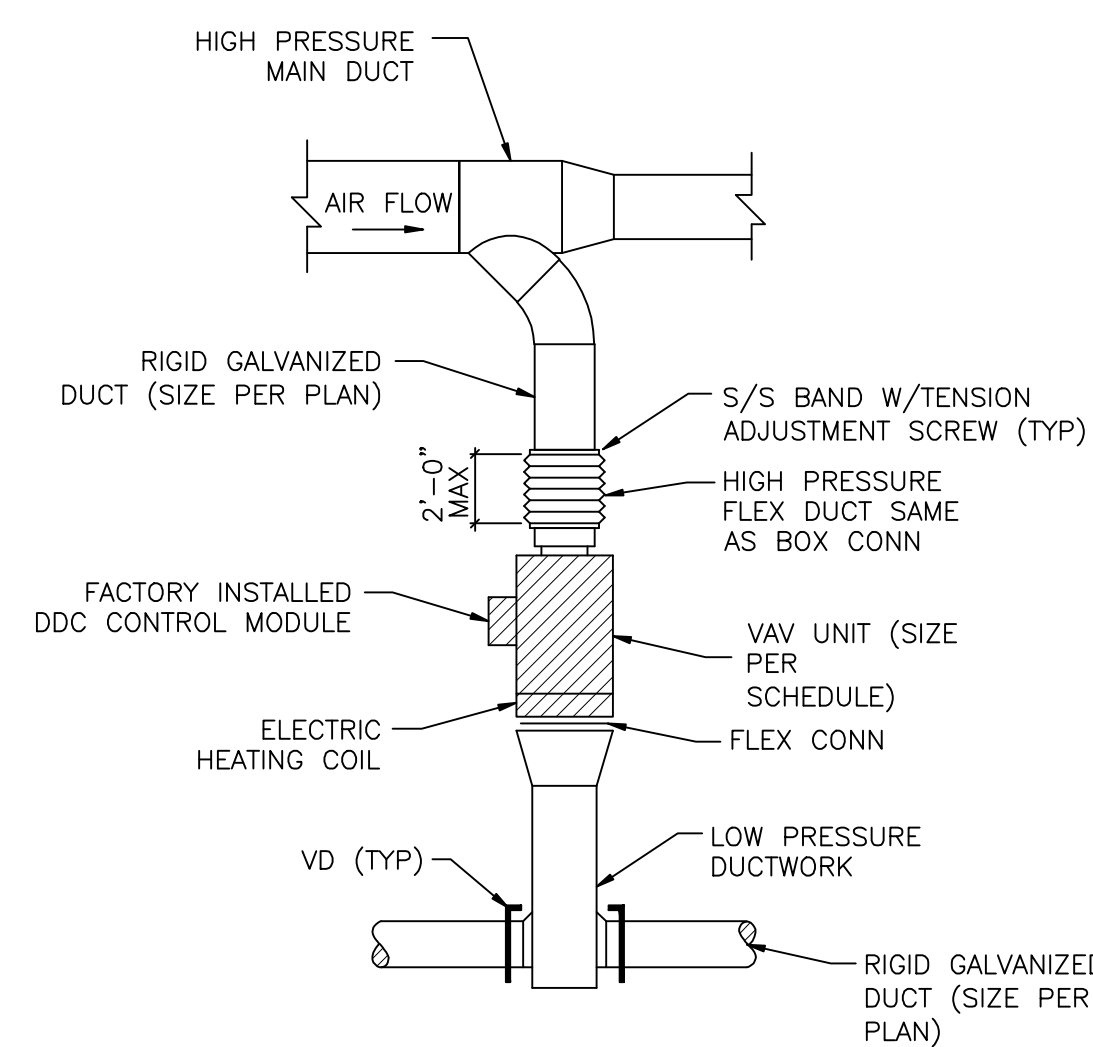


NOTE: TYPICAL HORIZONTAL SHUTTER TYPE FIRE DAMPER FOR DUCTS UP TO 12" IN DEPTH

**HORIZONTAL FIRE DAMPER INSTALLATION DETAIL**

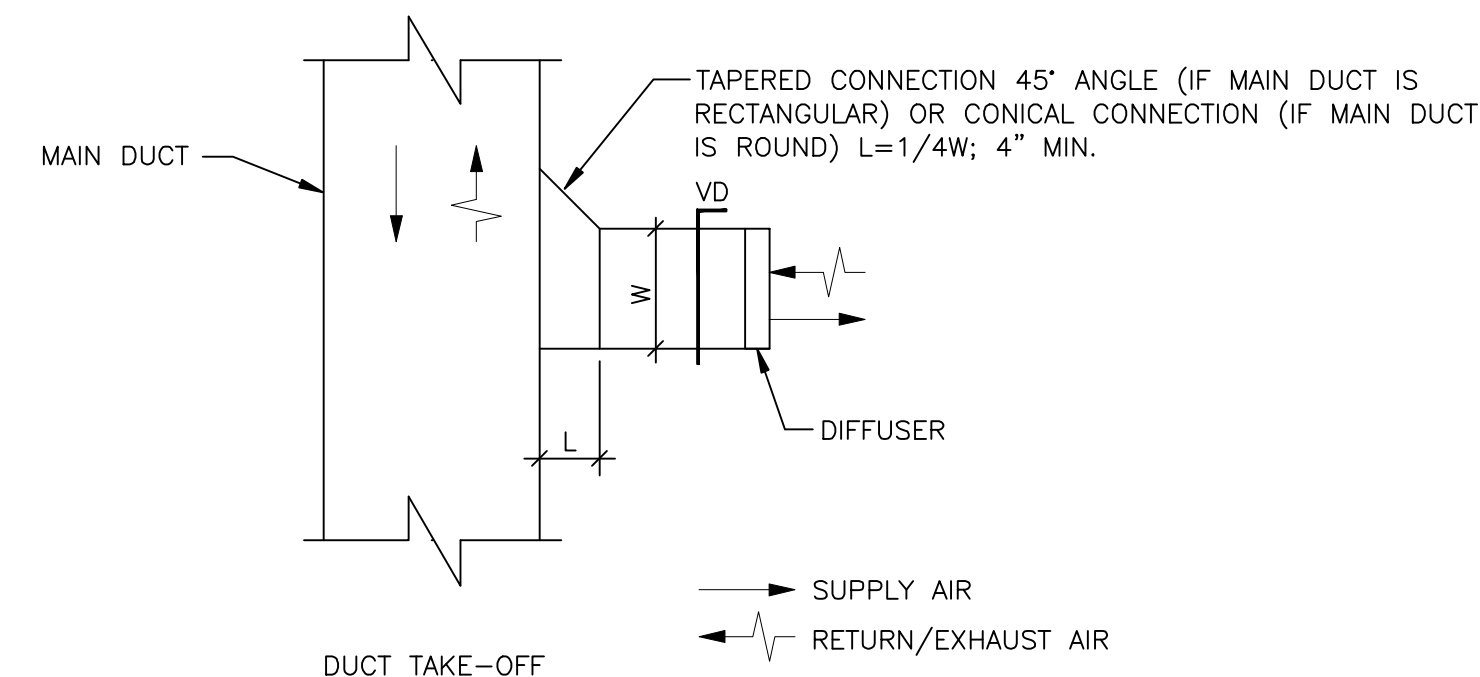
NTS

- NOTES:
1. DAMPER ASSEMBLY INSTALLED IN AND FASTENED TO THE SLEEVE.
  2. MAINTAIN FULL DUCT SIZE. DAMPER HOUSING SHALL NOT OBSTRUCT AIR FLOW, (TYPE "B").



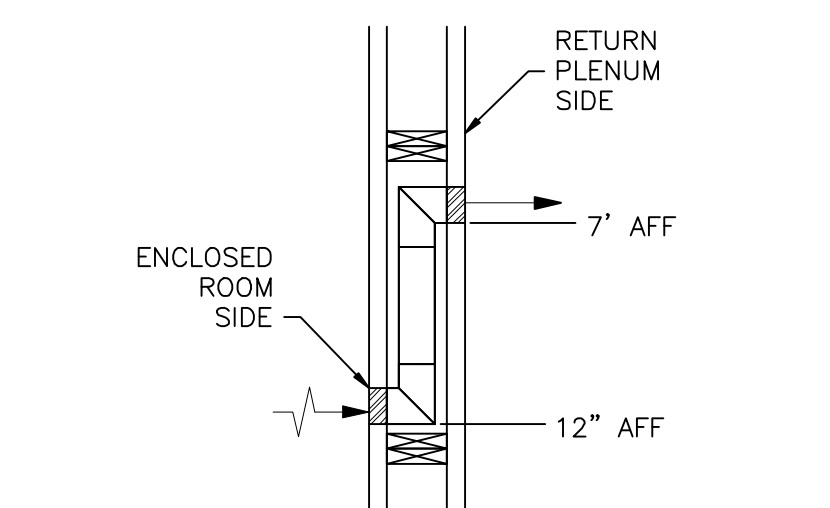
**TYPICAL VAV BOX INSTALLATION DETAIL**

NTS



**DUCT TAKE OFF/DIFFUSER CONNECTION**

NTS



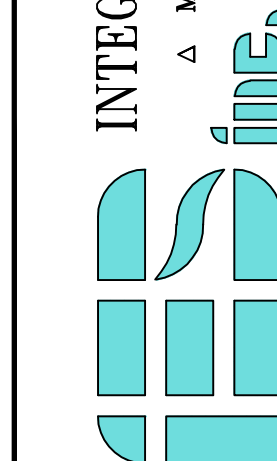
**TRANSFER DUCT DETAIL**

NTS

AS BUILDS AS RECORDED BY ATLANTIC COMFORT SYSTEMS, INC.

INTEGRATED ENGINEERED SYSTEMS, INC. Δ INDOOR AIR QUALITY Δ ENERGY MGT. Δ P.O. BOX 657 Δ AUBURN, N.H. 03032 Δ Tel: (603) 625-1346 Δ Fax: (603) 625-8466

MECH. DESIGN Δ ENERGY MGT. Δ INDOOR AIR QUALITY Δ



Atlantic Comfort Systems, Inc. PO BOX 665-392 HILL STREET BIDDEFORD, MAINE 04005 PHONE: (207) 284-6360 FAX: (207) 284-6377

CUSTOM HOUSE SQUARE 300 FORE STREET PORTLAND, MAINE HVAC DETAILS

P.E.: JK D.B.: CPC

PROJECT #: J493

ISSUE DATE: SEPT. 19, 2007

M4.1