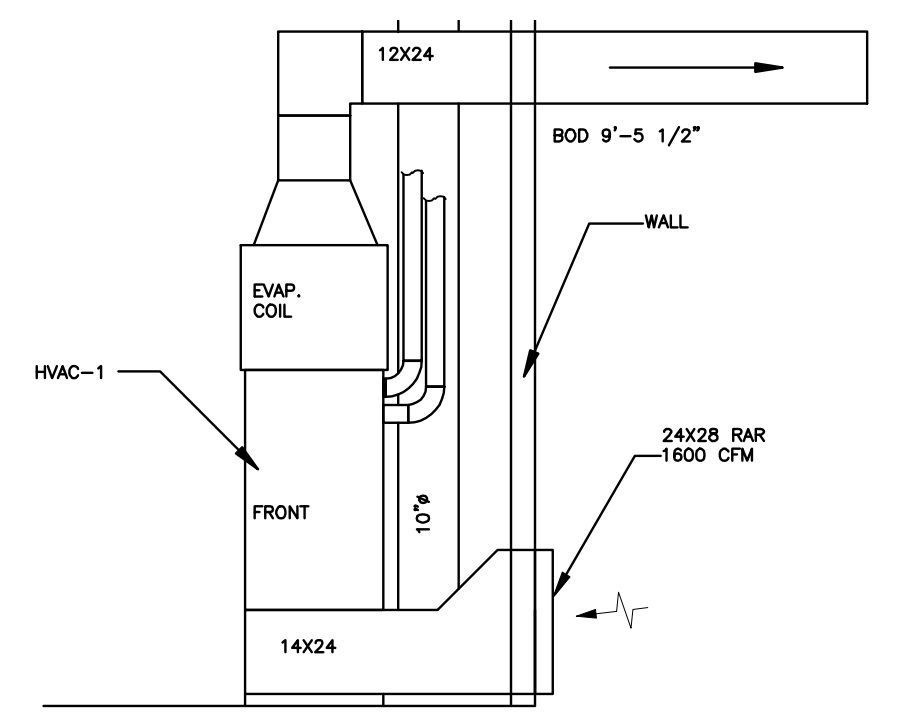


**ENLARGED HVAC-5**  
SCALE: NTS



**ENLARGED HVAC-1**  
SCALE: NTS

**FIRST FLOOR PLAN**  
SCALE: 1/8" = 1'-0"

AS BUILDS AS  
RECORDED BY  
ATLANTIC  
COMFORT  
SYSTEMS, INC.

**INTEGRATED ENGINEERED SYSTEMS, INC.**  
MECH DESIGN ENERGY MGT. INDOOR AIR QUALITY  
AUBURN, N.H. 03032  
P.O. BOX 657  
Tel: (603) 625-1346 Fax: (603) 625-8456

**Atlantic Comfort Systems, Inc.**  
PO BOX 665-392 HILL STREET  
BIDDEFORD, MAINE 04005  
PHONE: (207) 284-6360  
FAX: (207) 284-6377

**CUSTOM HOUSE SQUARE**  
300 FORE STREET  
PORTLAND, MAINE  
**FIRST FLOOR HVAC PLAN**

P.E.: JK D.B.: CPC  
PROJECT #: J493  
ISSUE DATE:  
SEPT. 19, 2007

**M2.1**