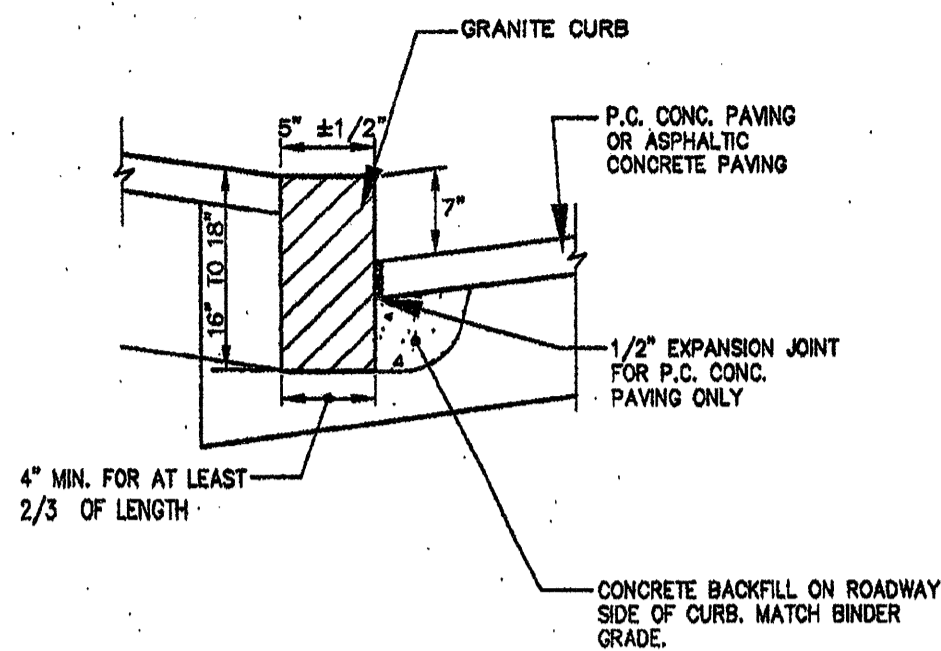
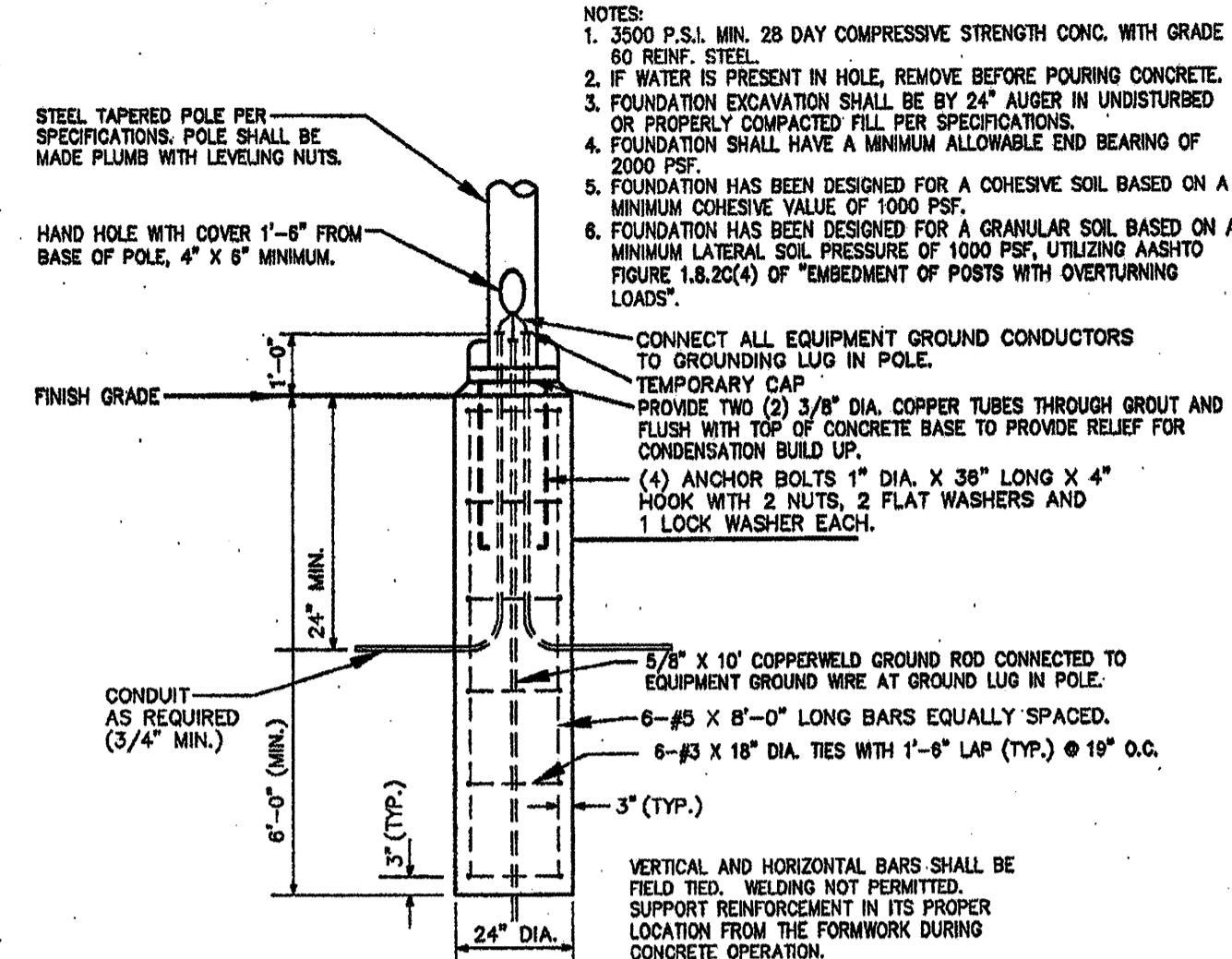


A BRICK SIDEWALK CONSTRUCTION DETAIL
N.T.S.

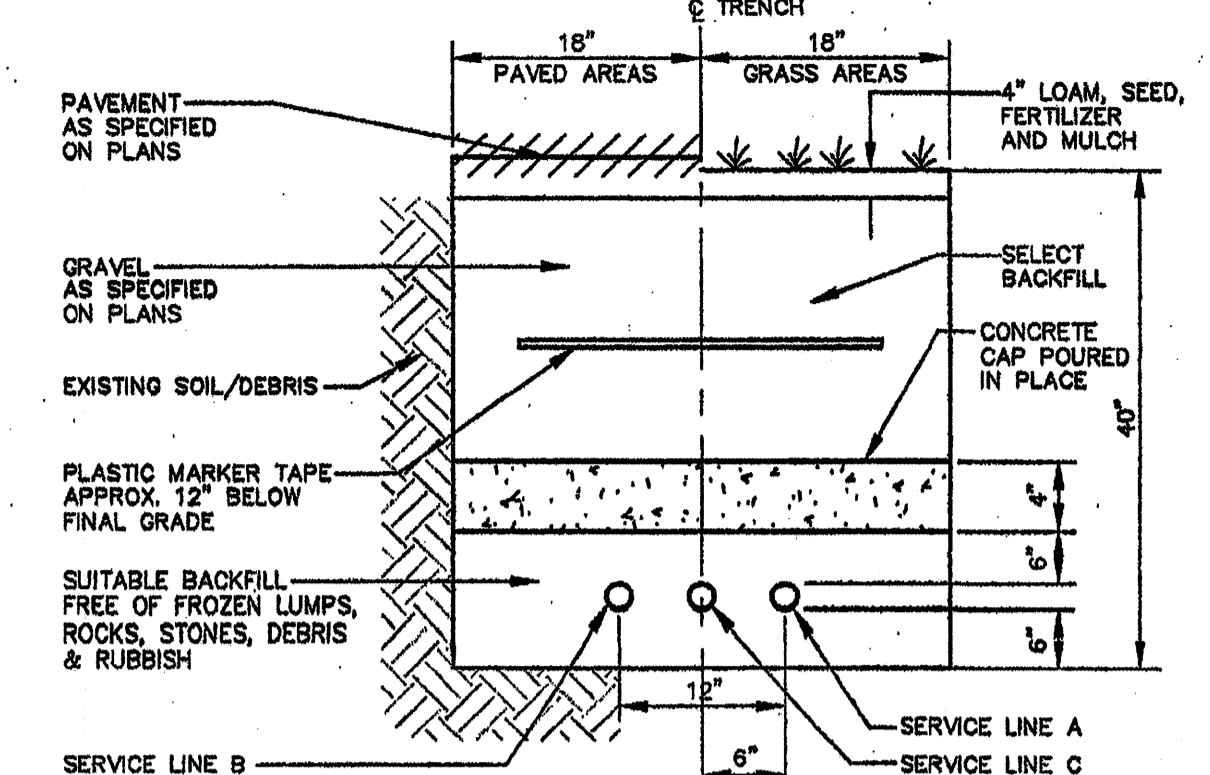


- NOTES:**
1. ALL GRANITE CURB SHALL BE TYPE 1 VERTICAL IN ACCORDANCE WITH THE LATEST REVISION OF THE MDT SPECIFICATIONS.
 2. CURB SHALL BE INSTALLED IN ACCORDANCE WITH MDT SPECIFICATIONS AND CITY OF PORTLAND STANDARDS.
 3. PROVIDE FILTER FABRIC BEHIND ALL CURB JOINTS

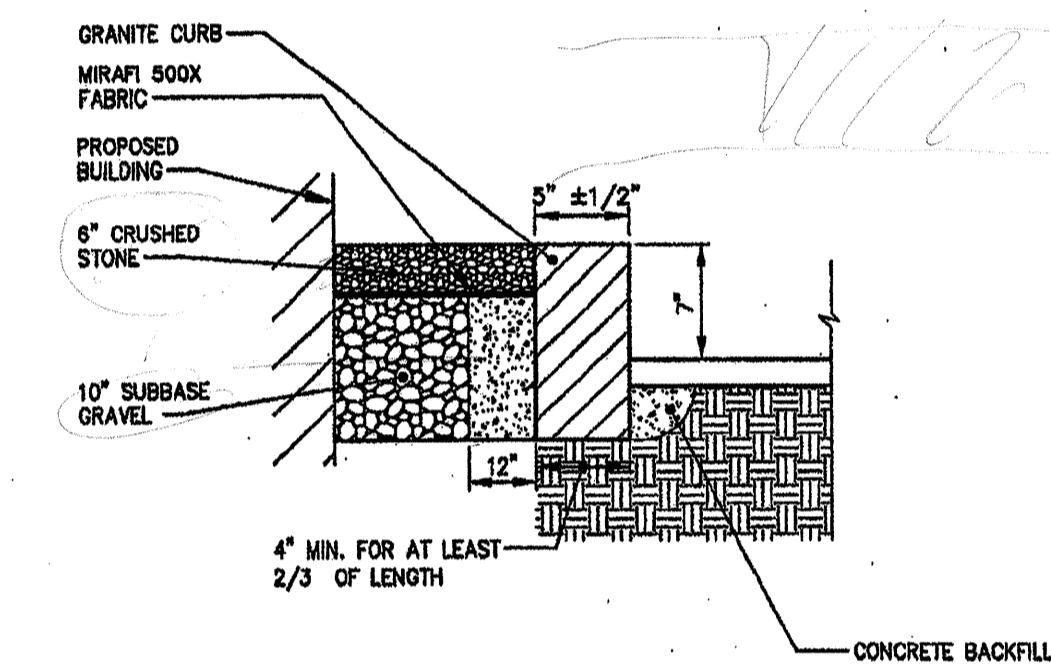
E GRANITE CURB DETAIL
N.T.S.



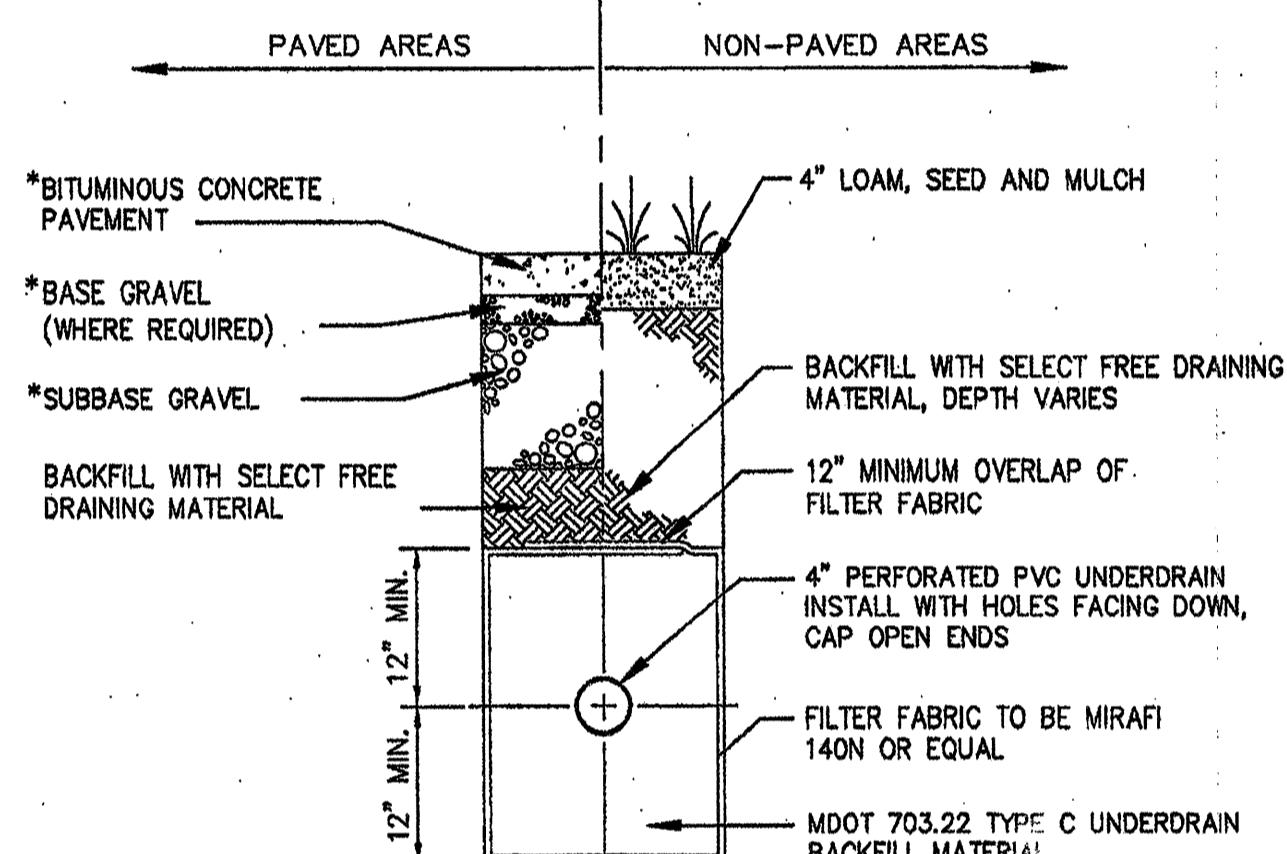
H TYPICAL SIDEWALK LIGHTING POLE FOUNDATION
N.T.S.



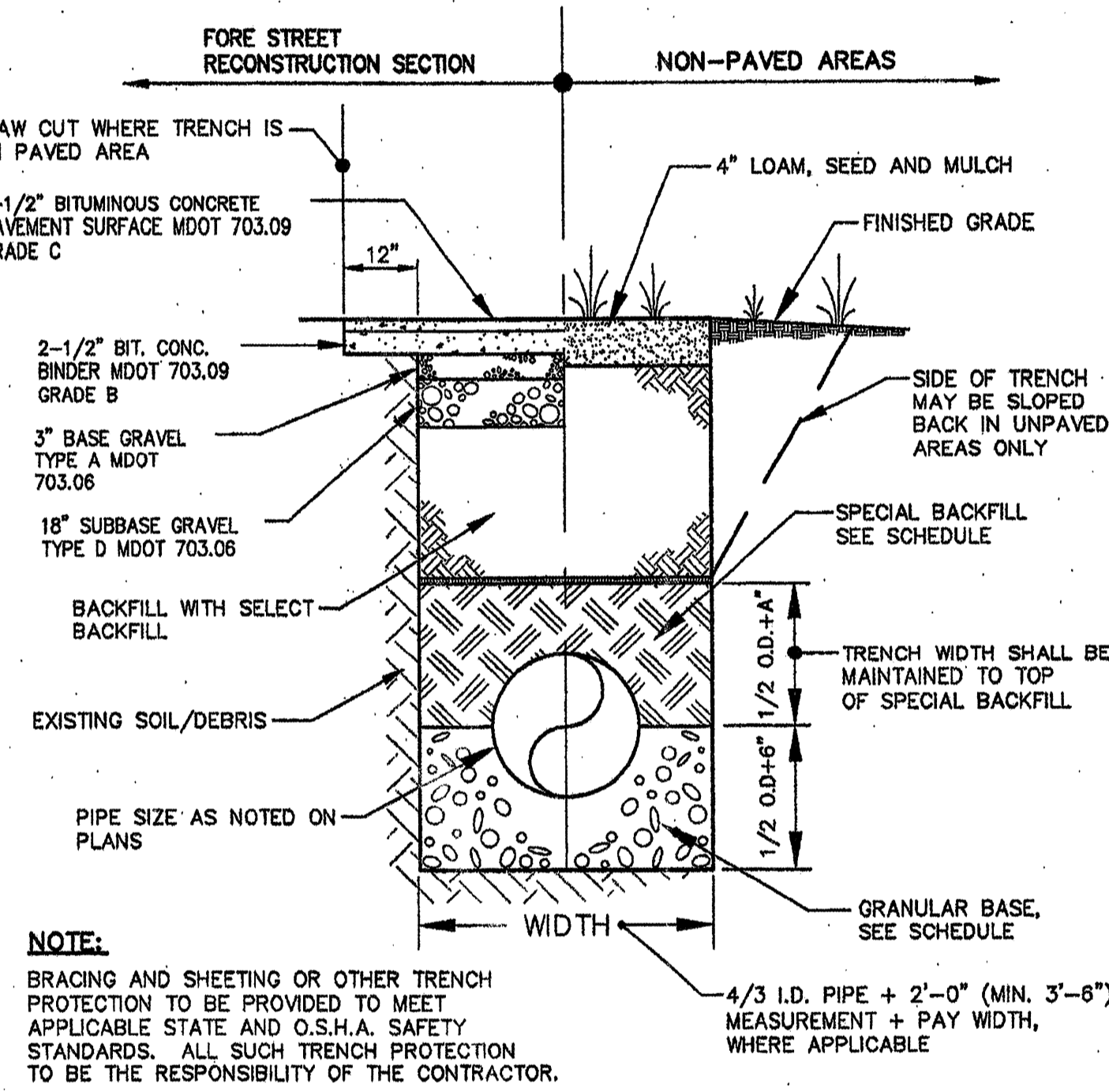
J UTILITY TRENCH - ELEC./TEL./COMMUNICATION LINES
N.T.S.



B FORE STREET PARKING LOT GRANITE CURB SECTION
N.T.S.



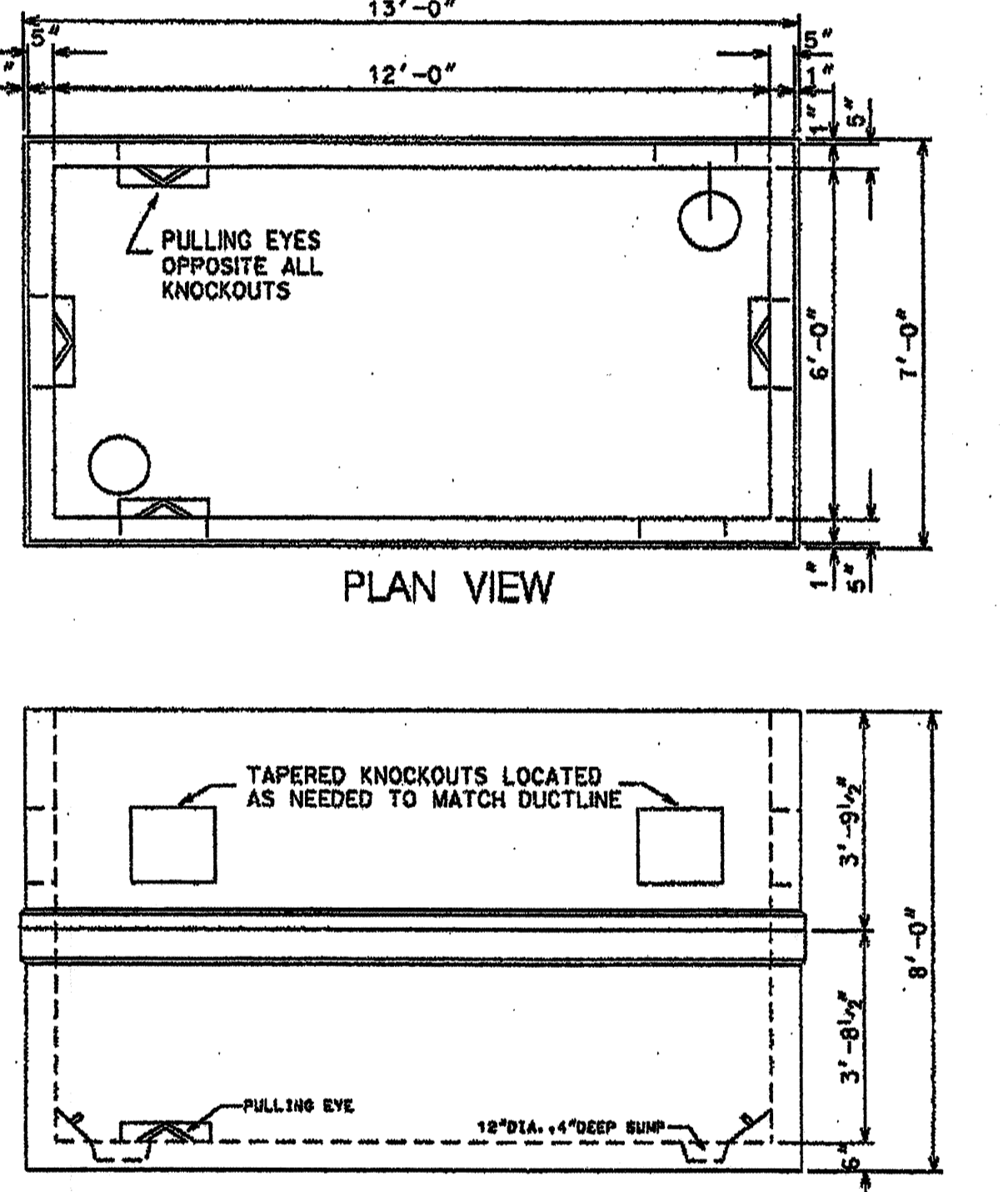
F TYPICAL UNDERDRAIN TRENCH SECTION
N.T.S.



TRENCH SECTION BACKFILL SCHEDULE

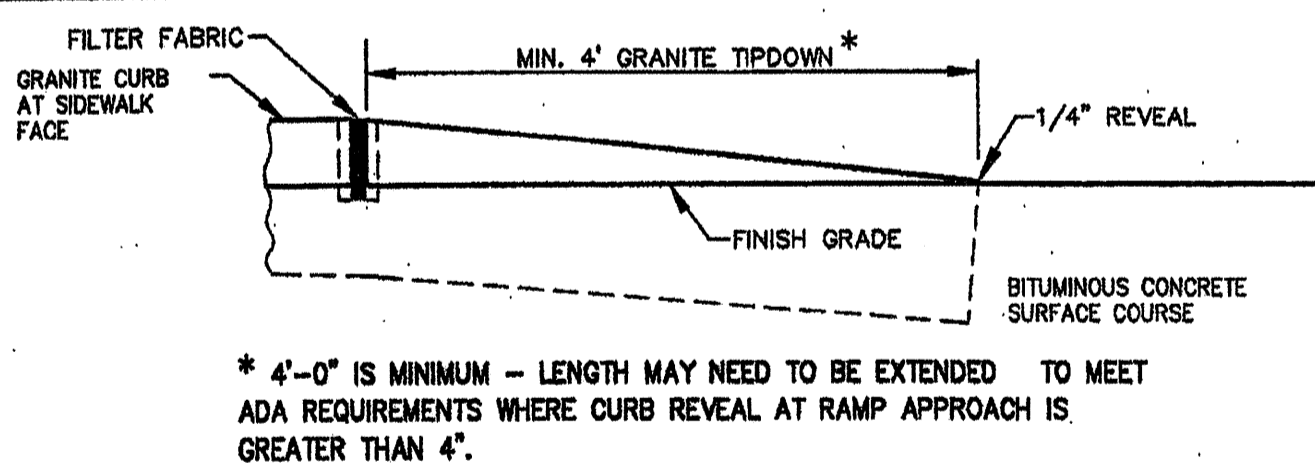
TYPE OF PIPE	GRANULAR BASE MATERIAL	SPECIAL BACKFILL	SPECIAL BACKFILL COVER "A" (IN)	SELECT BACKFILL
CONCRETE	GRANULAR AASHTO M145-49 A-3 OR BETTER	GRANULAR AASHTO M145-49 A-3 OR BETTER	12"	GRANULAR AASHTO M145-49 A-3 OR BETTER
PVC	3/4" CRUSHED STONE	GRANULAR AASHTO M145-49 A-3 OR BETTER	6"	GRANULAR AASHTO M145-49 A-3 OR BETTER
DUCTILE IRON	GRANULAR AASHTO M145-49 A-3 OR BETTER	GRANULAR AASHTO M145-49 A-3 OR BETTER	6"	GRANULAR AASHTO M145-49 A-3 OR BETTER
UNDER-DRAINS	3/4" CRUSHED STONE	3/4" CRUSHED STONE	6"	GRANULAR AASHTO M145-49 A-3 OR BETTER

I TYPICAL UTILITY PIPE TRENCH SECTION
N.T.S.

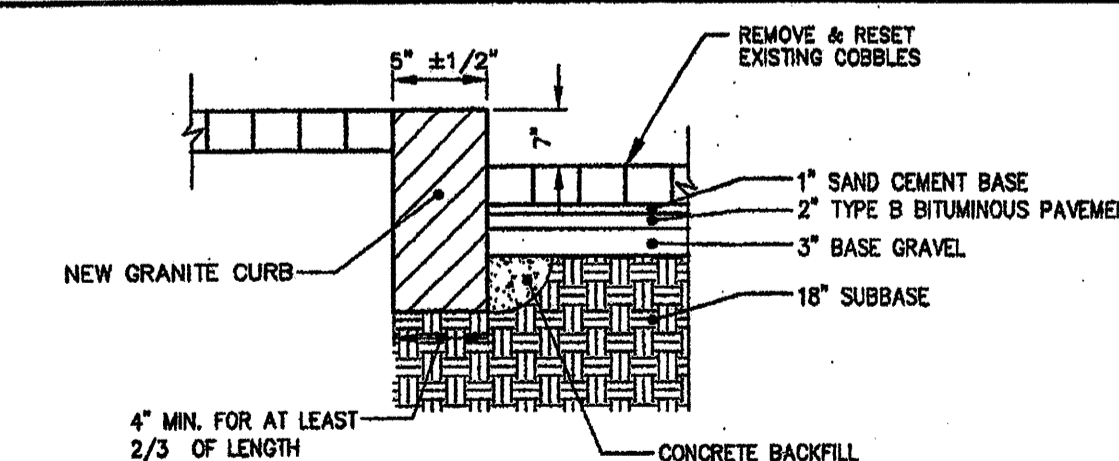


K CMP (38Y) VAULT
N.T.S.

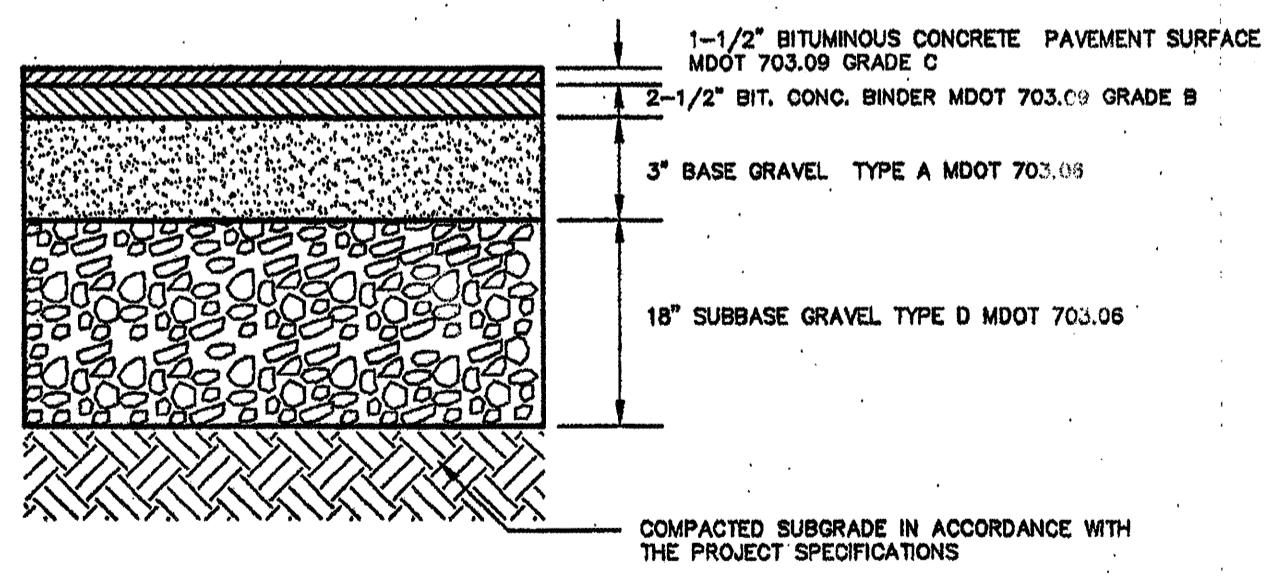
- NOTES**
1. CONCRETE: 5000PSI AFTER 28 DAYS
 2. REINFORCED FOR H-20 LOADING
 3. PULLING EYES, INSERTS, DUCT OPENINGS, CAST IN AS REQUIRED
 4. SHIPLAP JOINTS SEALED WITH ASPHALTIC BUTYL RUBBER SEALANT.
 5. INSTALL TWO COURSES OF BRICK BENEATH COVER TO ALLOW FOR FUTURE GRADE CHANGE.



C CURB TIPDOWN DETAIL
N.T.S.



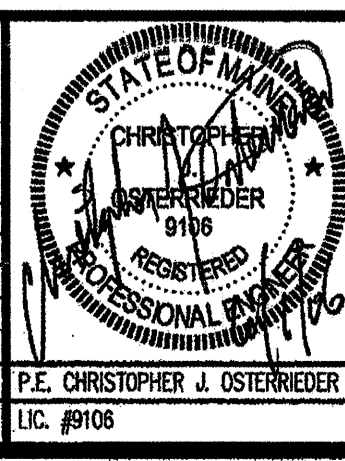
D CUSTOM HOUSE STREET RECONSTRUCTION
N.T.S.



G TYPICAL PAVEMENT SECTION
N.T.S.

BID SET

REV	DATE	DESCRIPTION
5	05.02.06	RELEASED FOR BIDS
4	05.09.06	ISSUED FOR PERMIT
3	02.13.06	SUBMITTED FOR SECOND WORKSHOP
2	11.29.05	REVISED BUILDING FOOTPRINT
1	11.08.05	SUBMITTED TO CITY OF PORTLAND



PROJECT	CUSTOM HOUSE SQUARE OFFICE BUILDING
SHEET TITLE	MISCELLANEOUS DETAILS
CLIENT	OLYMPIA EQUITY INVESTORS IVB, LLC

DESIGNED:	LEJ	DATE:	NOV. 2005
CHECKED:	CJO	SCALE:	AS SHOWN
FILE NAME:	2681-DET		
SHEET	C-6		

C:\2581\dwg\BID SET\2581-DET.dwg, DETAILS, 6/1/2006 5:53:00 PM, Jordan