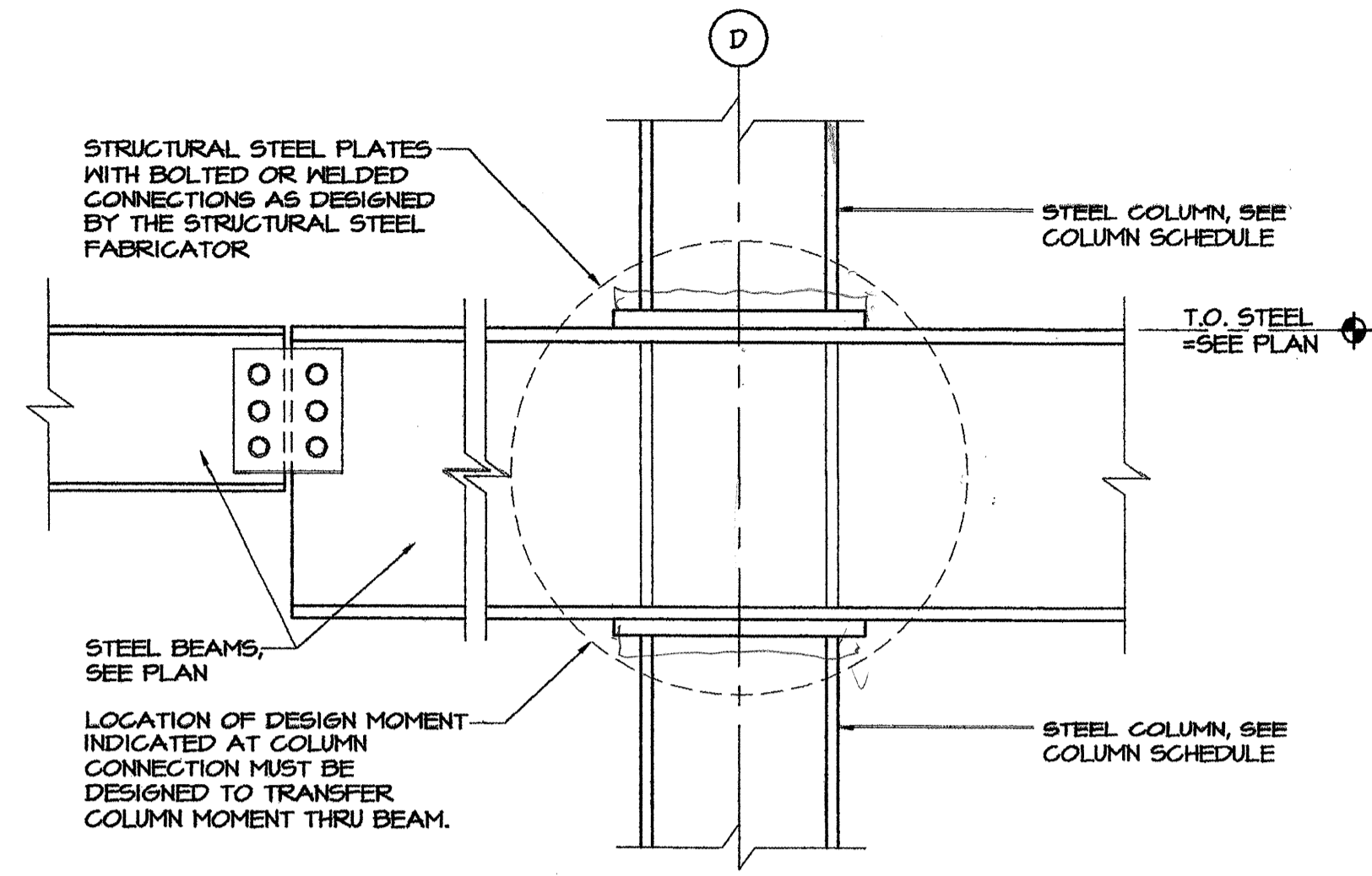
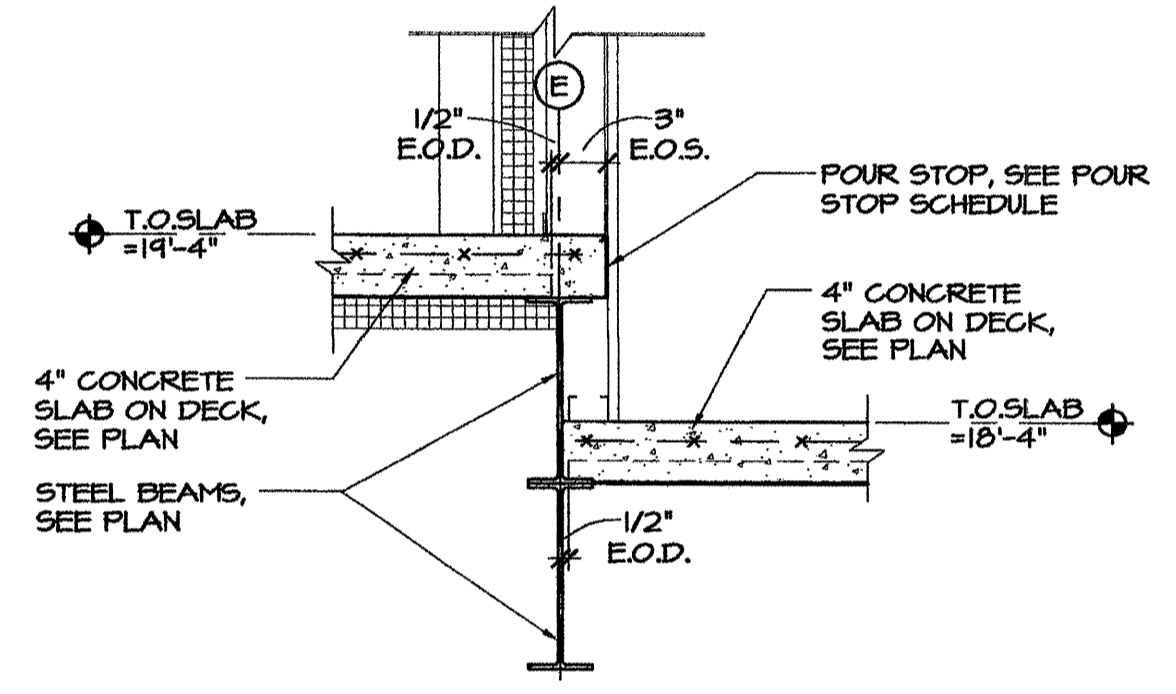


1/forrese - Mod, 07 Jun 2006 - 9:45am

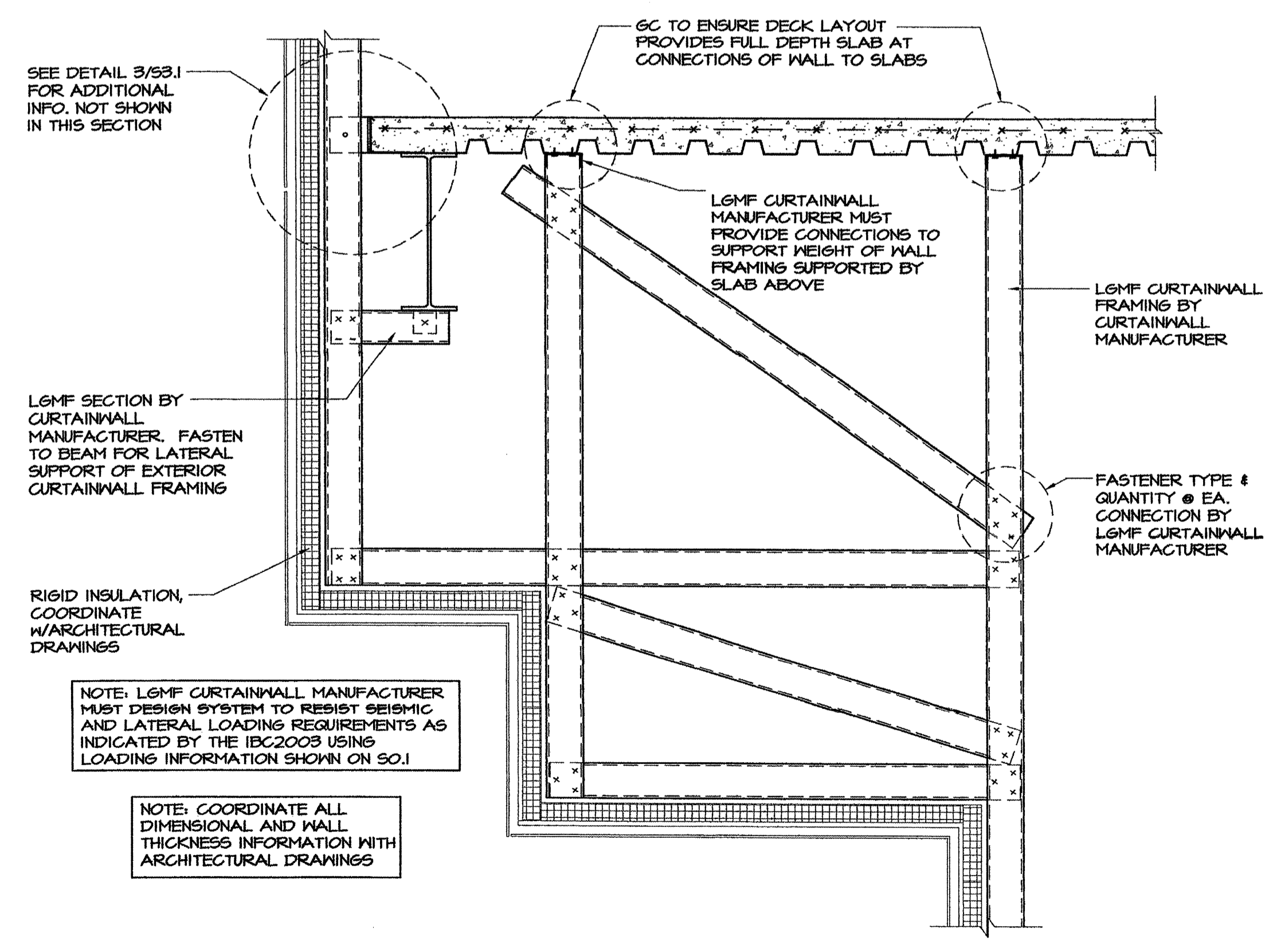


IMPORTANT NOTE:
AS AN ALTERNATE TO THIS CONNECTION SCHEME, BEAM MOMENTS CAN BE PROVIDED BY ENGINEER TO ALLOW FOR CONTINUOUS COLUMN WITH SPLICED BEAM

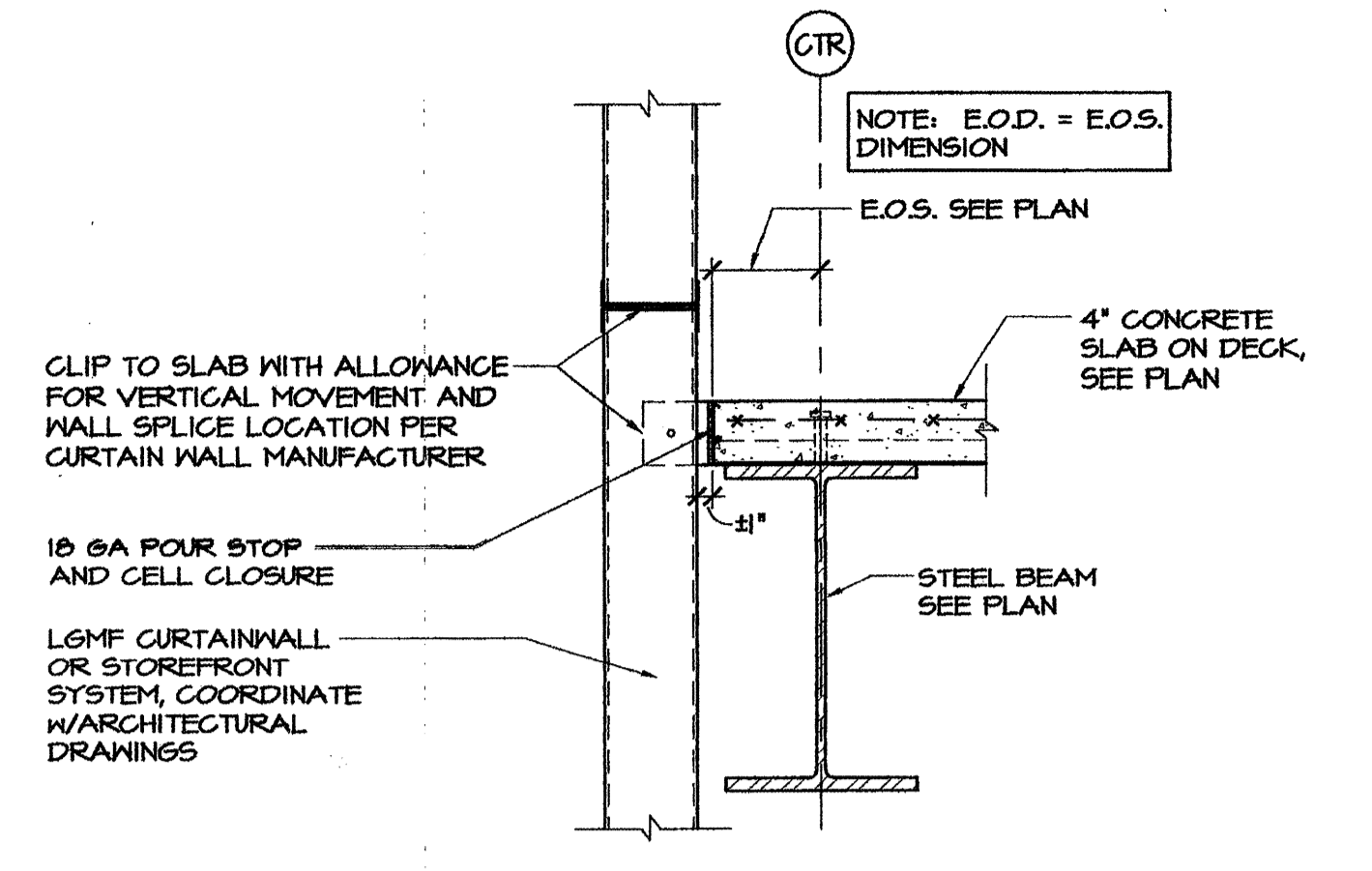
8 CONTINUOUS BEAM OVER COLUMN MOMENT CONNECTION
SCALE: 1" = 1'-0"



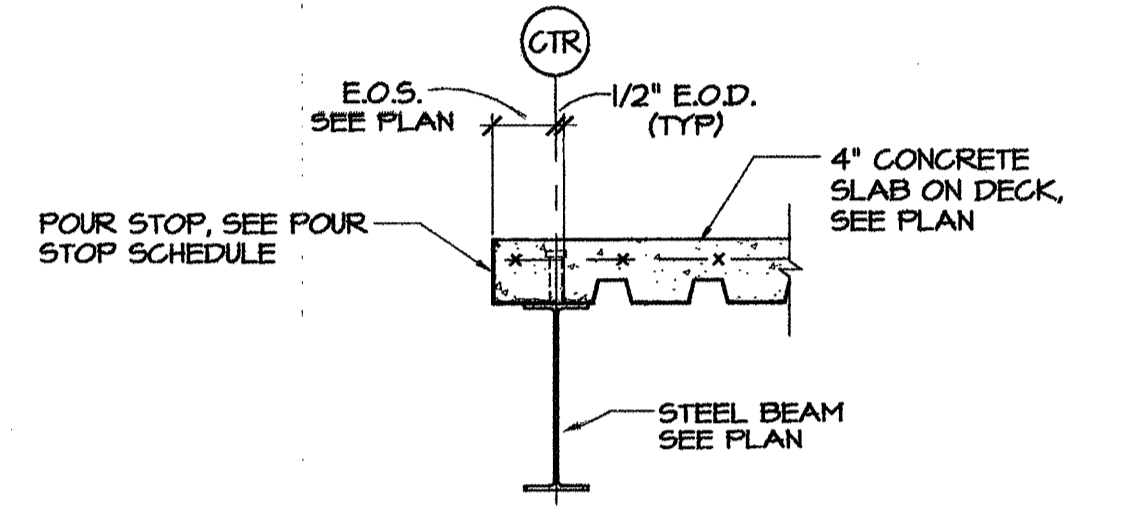
9 DETAIL @ ATM ROOM
SCALE: 1" = 1'-0"



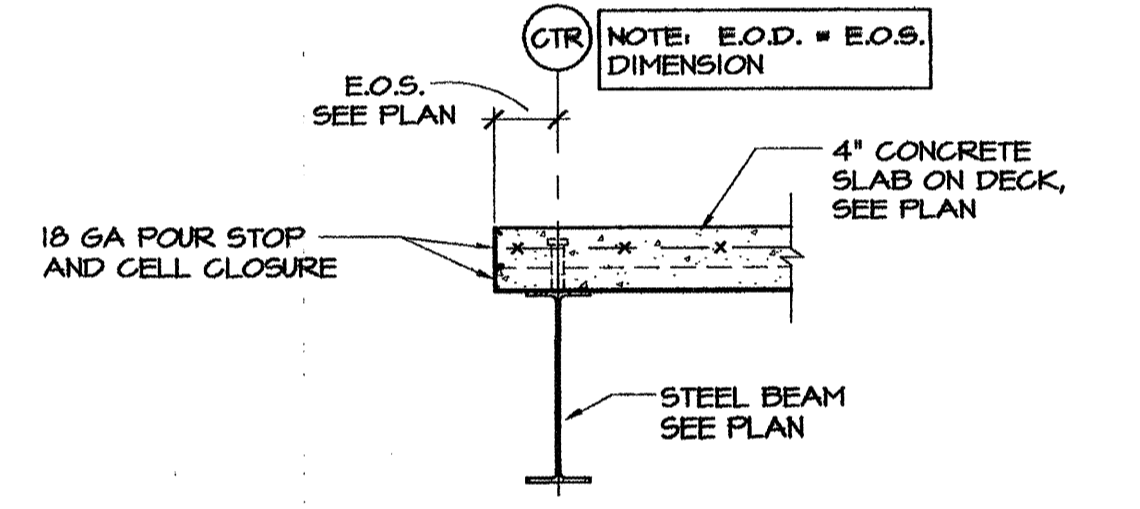
10 EXTERIOR WALL SECTION @ ATM
SCALE: 1" = 1'-0"



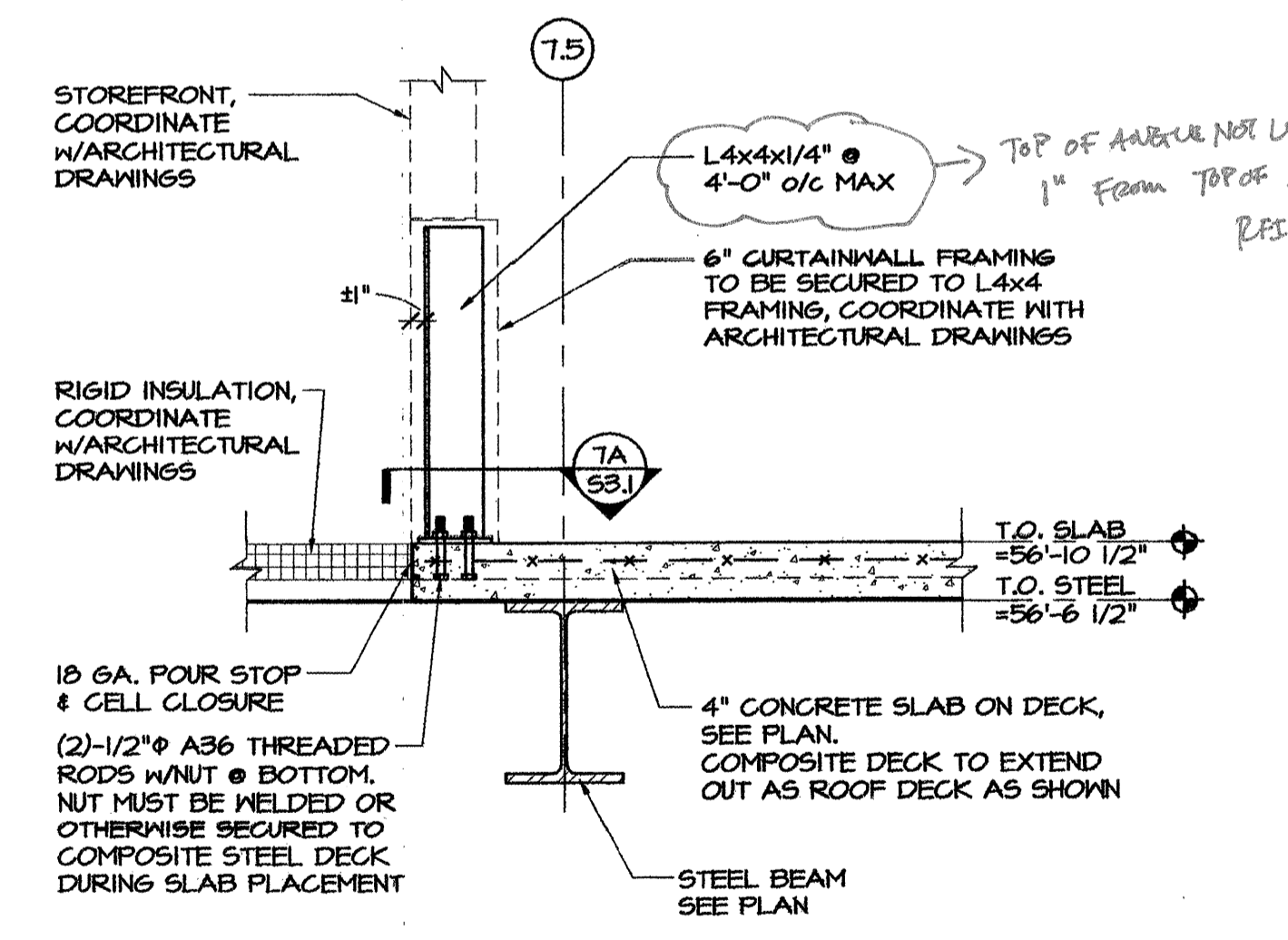
4 SLAB EDGE DETAIL @ CURTAIN WALL
SCALE: 1" = 1'-0"



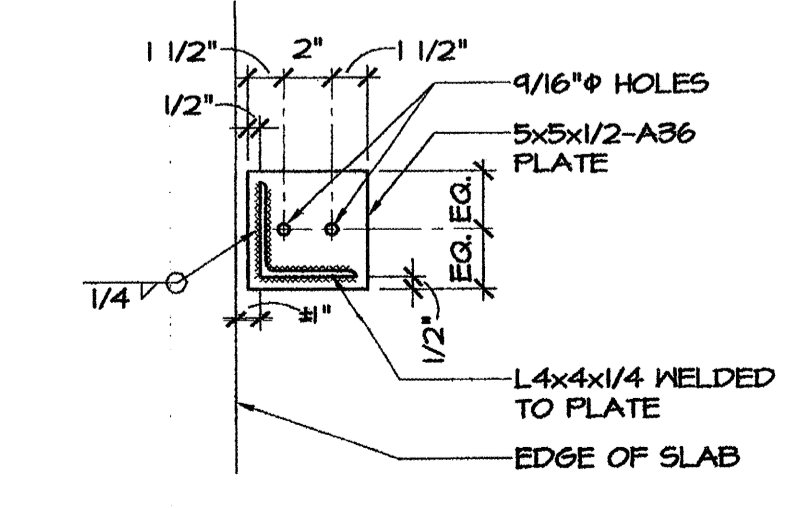
5 TYPICAL SLAB EDGE DETAIL
SCALE: 1" = 1'-0"



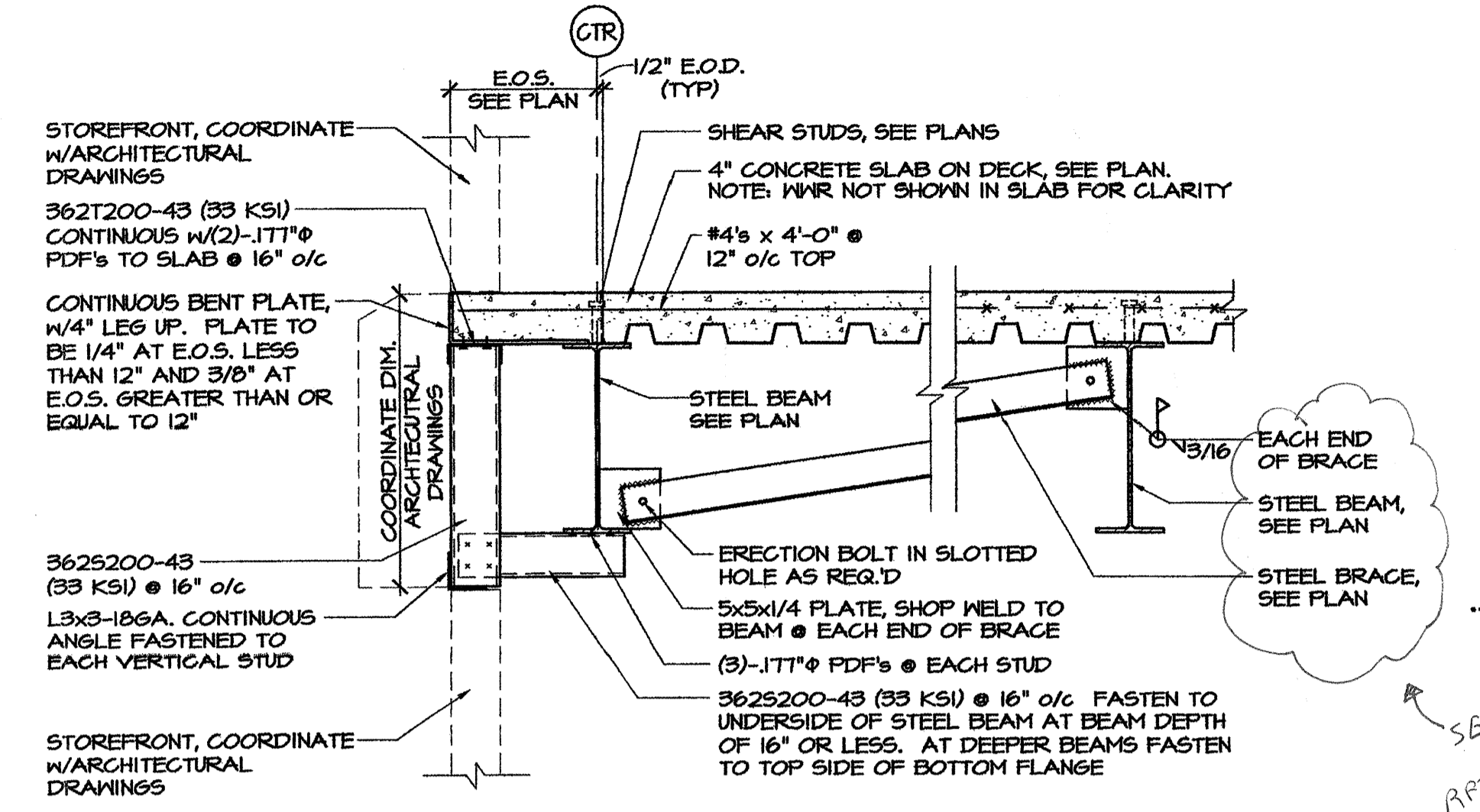
6 TYPICAL SLAB EDGE DETAIL
SCALE: 1" = 1'-0"



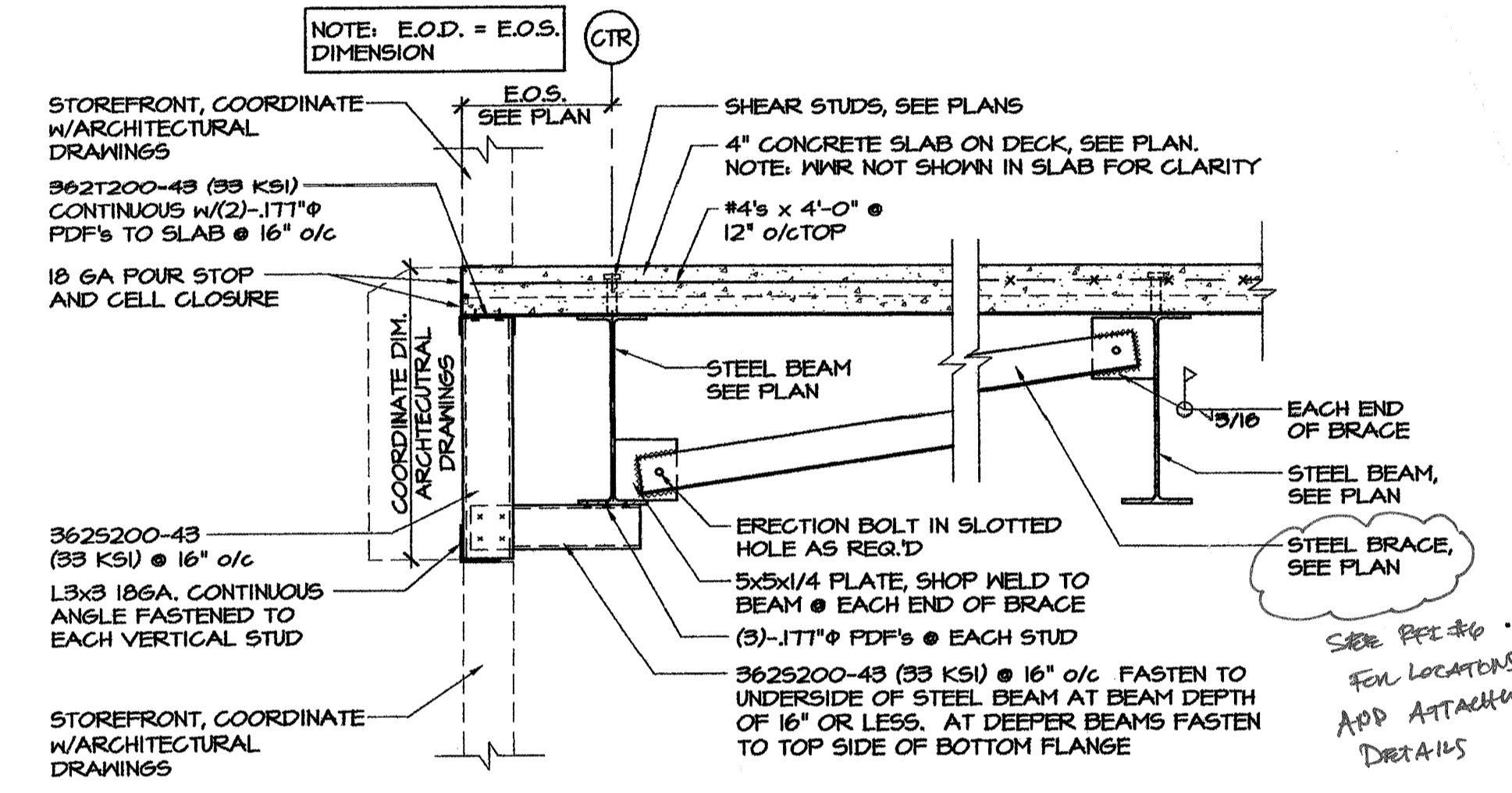
7 FOURTH FLOOR SLAB DETAIL
SCALE: 1" = 1'-0"



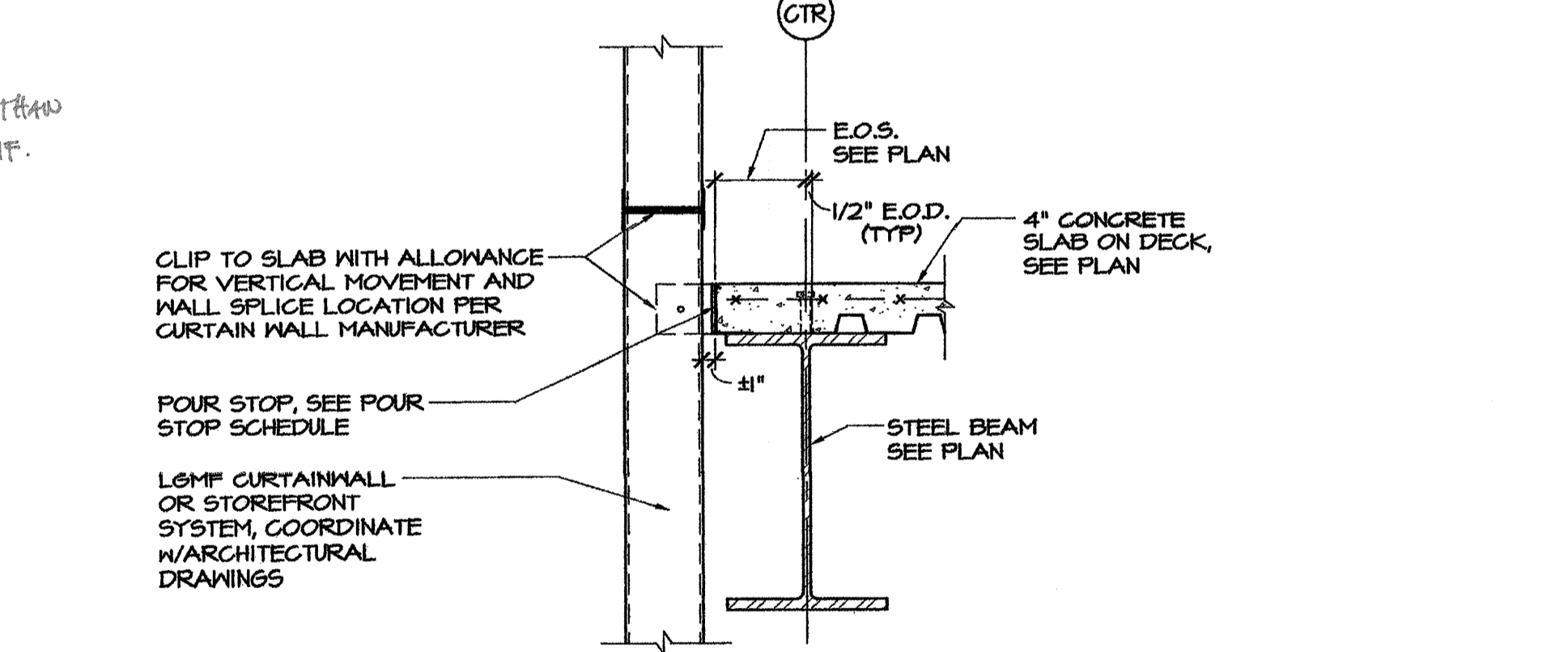
7A ANGLE DETAIL
SCALE: 1 1/2" = 1'-0"



1 PERIMETER STOREFRONT SECTION
SCALE: 1" = 1'-0"



2 PERIMETER STOREFRONT SECTION
SCALE: 1" = 1'-0"



3 SLAB EDGE DETAIL @ CURTAIN WALL
SCALE: 1" = 1'-0"

SEE RFI #6 FOR LOCATIONS AND ATTACHMENT DETAILS.

SEE RFI #6 FOR LOCATIONS AND ATTACHMENT DETAILS.

PRO CON
INCORPORATED
ARCHITECTURE
Design and Construction Management
300 Fore Street
Portland, Maine 04108
Tel: 603.881.1111 Fax: 603.881.7920

ISSUE 05/26/2006 - ISSUED FOR PRICING

CUSTOM HOUSE SQUARE
300 FORE STREET
PORTLAND, MAINE
FRAMING DETAILS

PROJECT ARCHITECT: MW
DRAWN BY: BR, AC, SO
PROJECT #: 300506

S3.1

NOT FOR CONSTRUCTION
05/26/06