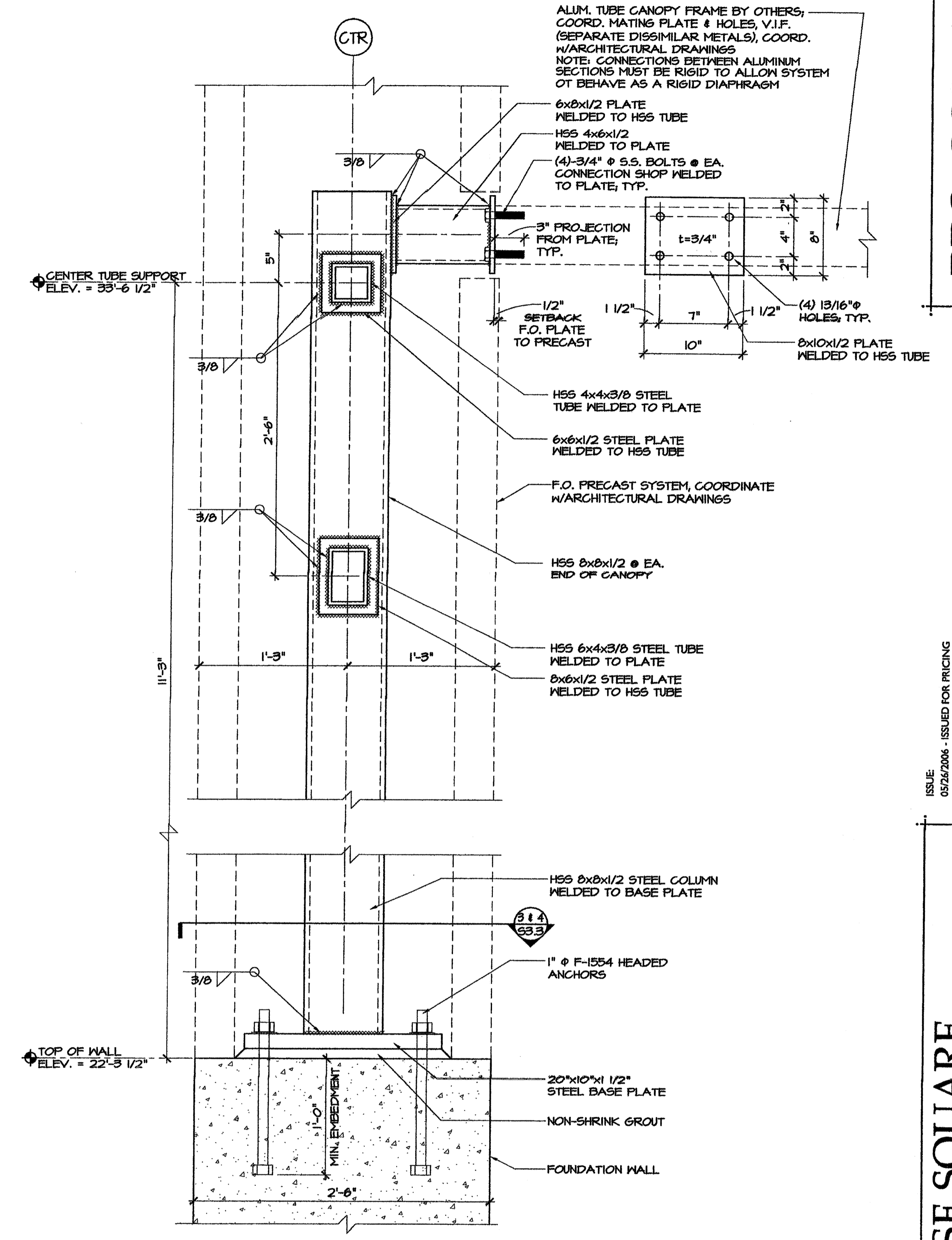
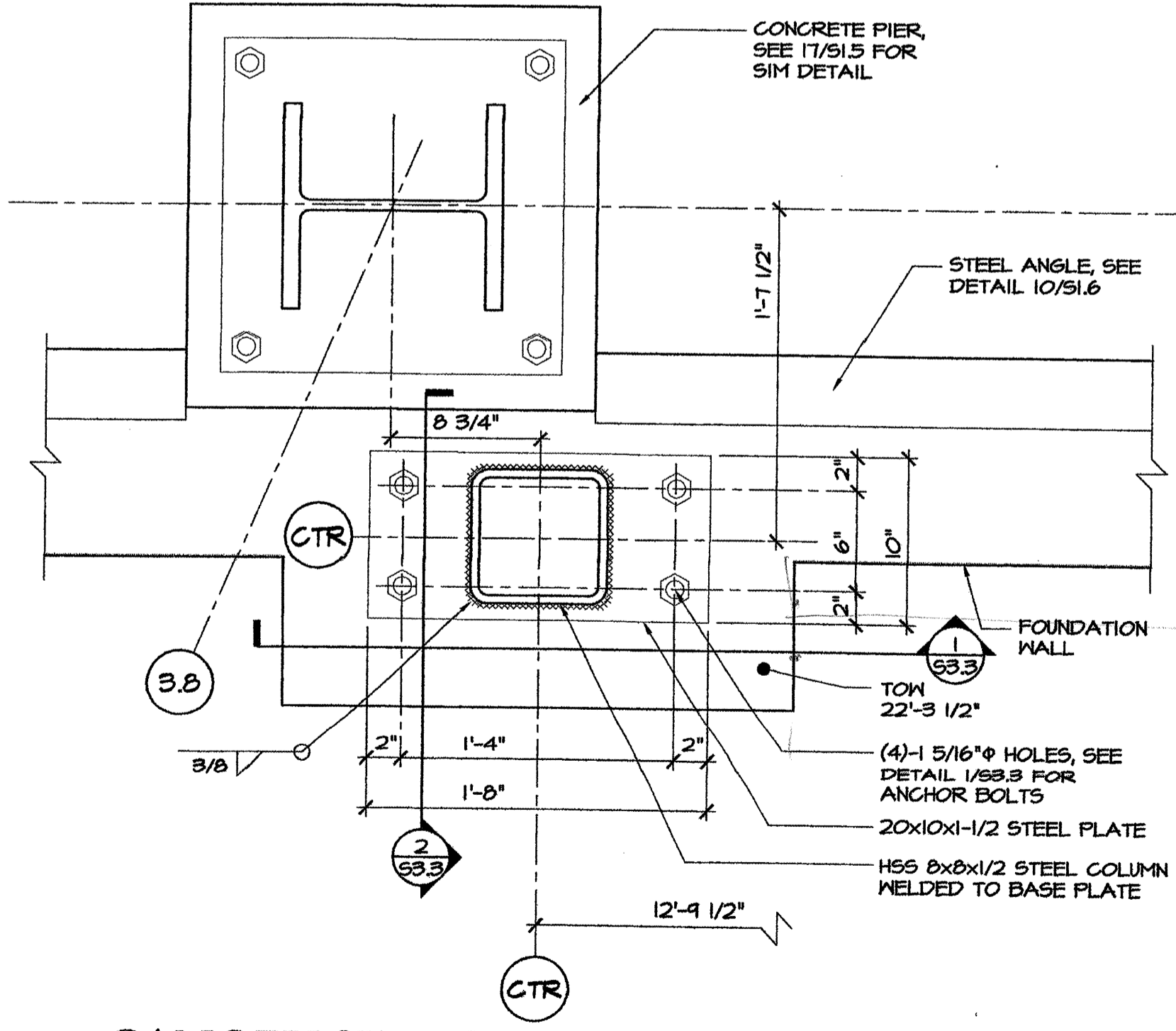


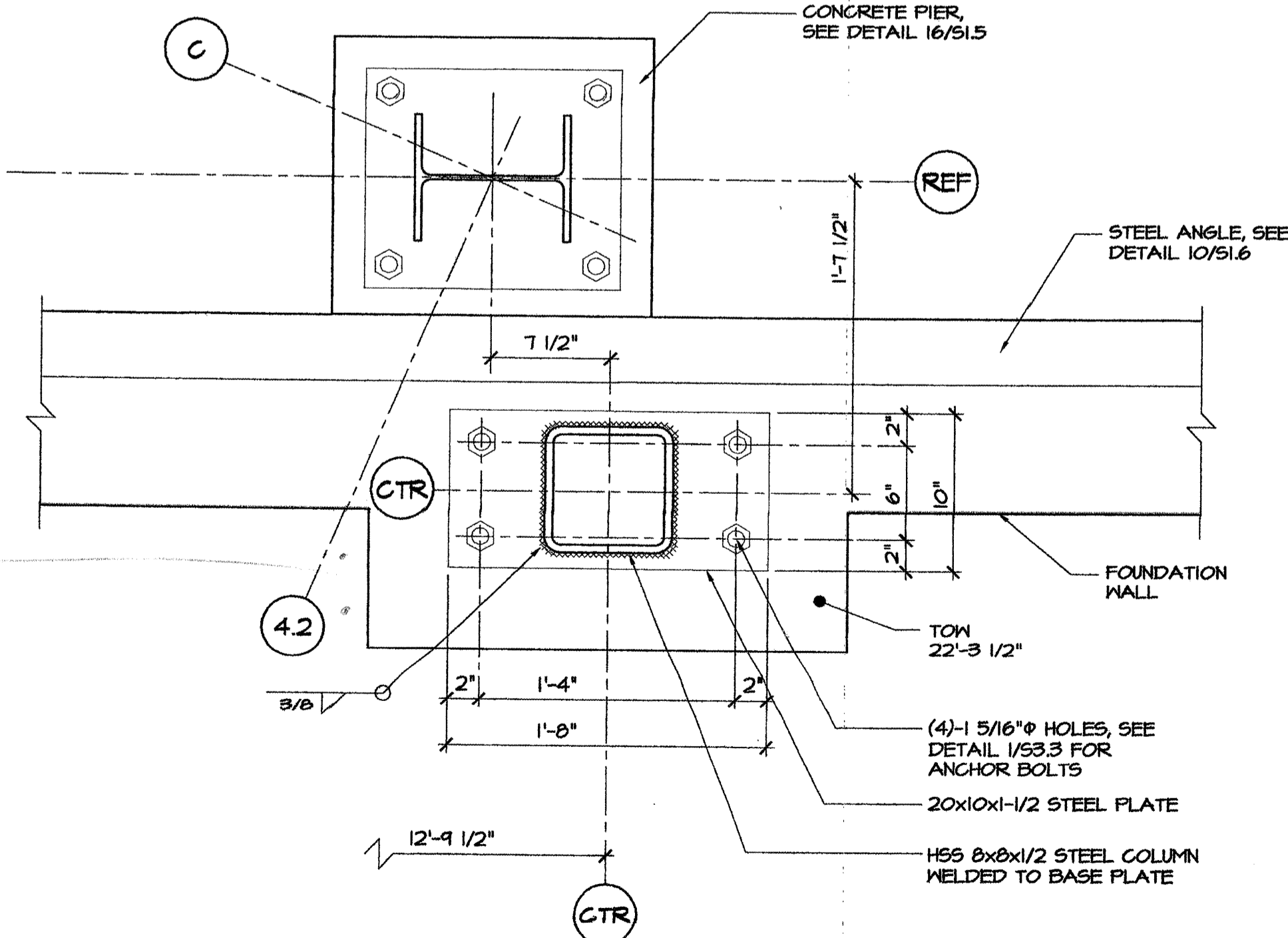
2 CANOPY SUPPORT SECTION
SCALE: 1 1/2" = 1'-0"



1 CANOPY SUPPORT SECTION
SCALE: 1 1/2" = 1'-0"



4 CANOPY SUPPORT PLAN DETAIL
SCALE: 1 1/2" = 1'-0"



3 CANOPY SUPPORT PLAN DETAIL
SCALE: 1 1/2" = 1'-0"

NOT FOR CONSTRUCTION
05/26/06